

Installation Guide



VSW I AAP

Remote Input and Control Panel

68-1187-01 **Rev. B**
03 07

Installation and Operation

VSW I AAP Interface

The VSW I AAP passive interface features a computer video input and pass-through, an unbalanced stereo input and pass-through, and an input select (Show Me) button. All VGA, audio, and control signals are carried from the rear panel of the AAP to the switcher via a single Extron VGA/audio cable assembly.

Front panel features

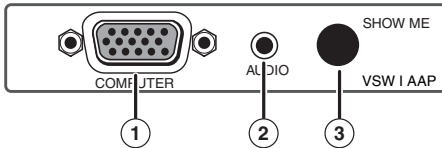
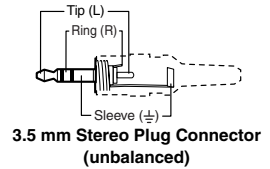


Figure 1 — Front panel features

- ① **Computer video input** — Input VGA-UXGA, RGBHV, RGBS, RGsB, RsGsBs, component video, or HDTV component video through this 15-pin female VGA connector.
- ② **Audio input** — Input unbalanced stereo audio through this 3.5 mm mini audio jack. See the diagram at right.
- ③ **Input select (Show Me) button** — Pressing this button tells the connected and compatible switcher to select this AAP as the switcher's active input. See "Rear panel features" on the following page.



NOTE The connected switcher **must** be compatible with this VGA pin 5 pull-up control feature. The Extron VSW 2VGA A and SW VGAr series switchers **are** compatible with this feature. Check the user's manuals for these switchers for more detail.

NOTE The show me feature **will not work** when connected to SW VGAr series switchers with a circuit board part number of 20-527-0x or 20-935-0x.

NOTE Use of the show me feature with specific switchers requires that jumpers be set in the VSW I AAP. See "Setting VSW I AAP Jumpers" on page 4.

Rear panel features

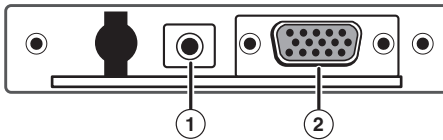


Figure 2 — Rear panel features

- ① **Audio pass-through** — Output unbalanced stereo audio through this 3.5 mm mini audio jack. See the previous section's wiring diagram (②).
- ② **Computer video pass-through** — Output VGA-UXGA, RGBHV, RGBS, RGSBs, component video, or HDTV component video through this 15-pin female VGA connector.

Interfacing to SW VGA Series Switchers

The VSW I AAP can be connected to each input of a SW VGArS switcher. Pressing the Show Me button causes the switcher to select this input. Refer to the SW VGArS Switchers manual for connection instructions.

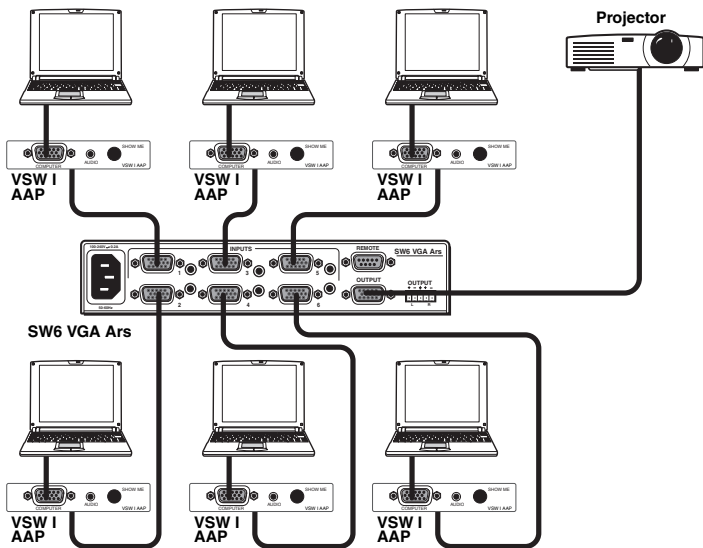


Figure 3 — Multiple VSW I AAP inputs to an SW VGArS switcher

Interfacing to a VSW 2VGA A Daisy Chain

VSW 2VGA A switchers can be daisy chained together to form a presentation system (figure 4). Each switcher connects to a VSW I AAP. By pressing the AAP's Show Me button, the user sends a control signal telling the switcher to select this AAP as the active input. Refer to the VSW 2VGA A Switchers manual for connection instructions.

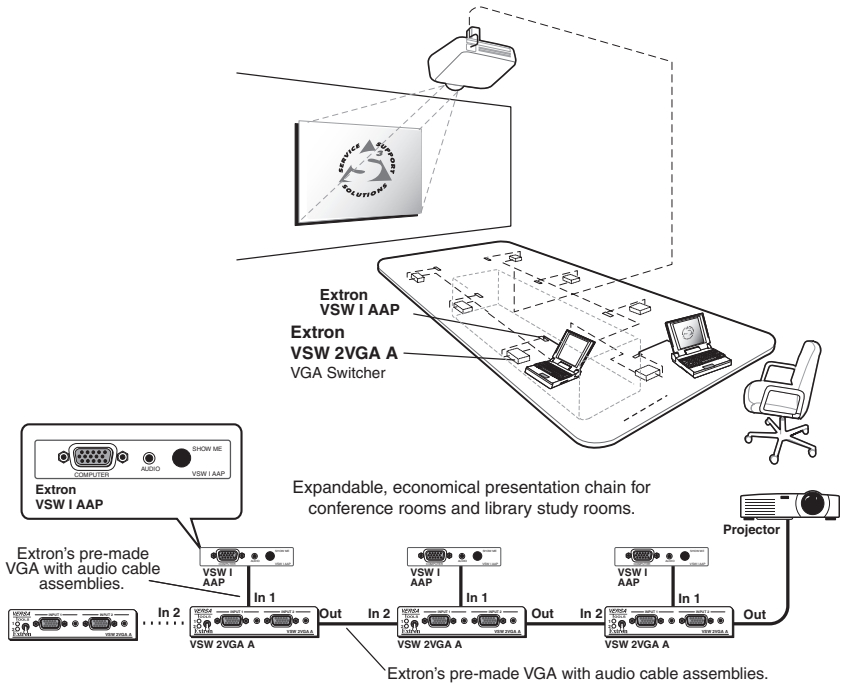
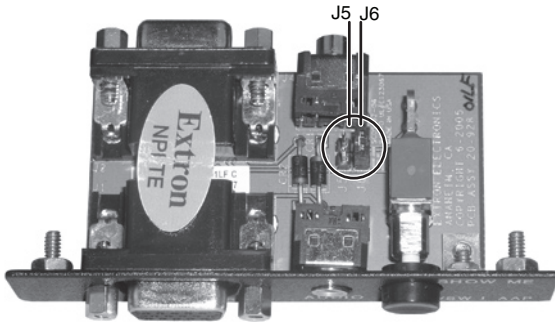


Figure 4 — Daisy-chained VSW 2VGA A switchers

Configuration

Setting VSW I AAP Jumpers

A jumper (figure 5) on the VSW I AAP may need to be shifted, from jumper J6 (the default position) to J5, depending on the switcher to which the VSW is connected. Refer to the applicable switcher's manual to see how to determine the switcher's board version or level.



Jumper installed	Switcher compatibility
J6	VSW 2VGA A, board revision C SW VGArS, board part #20-1118-0x
J5	VSW 2VGA A, board revision A

Figure 5 — VSW I AAP jumper positions

- If you are daisy chaining with a **VSW 2VGA A** that has a circuit board that is revision C or higher, install the jumper on J6.
- If you are daisy chaining with a **VSW 2VGA A** that has a circuit board that is revision A, install the jumper on J5.
- If you are daisy chaining with a **SW VGArS** that has a circuit board whose part number is 20-1118-0x, install the jumper on J6.

NOTE

The show me feature **will not work** when connected to SW VGArS series switchers with a circuit board part number of 20-527-0x or 20-935-0x.



Extron Electronics, USA
1230 South Lewis Street
Anaheim, CA 92805
800.633.9876 714.491.1500
FAX 714.491.1517

Extron Electronics, Europe
Beeldschermweg 6C
3821 AH Amersfoort, The Netherlands
+800.3987.6673 +31.33.453.4040
FAX +31.33.453.4050

Extron Electronics, Asia
135 Joo Seng Rd. #04-01
PM Industrial Bldg., Singapore 368363
+800.7339.8766 +65.6383.4400
FAX +65.6383.4664

Extron Electronics, Japan
Kyodo Building, 16 Ichibancho
Chiyoda-ku, Tokyo 102-0082
Japan
+81.3.3511.7655 FAX +81.3.3511.7656

Free Manuals Download Website

<http://myh66.com>

<http://usermanuals.us>

<http://www.somanuals.com>

<http://www.4manuals.cc>

<http://www.manual-lib.com>

<http://www.404manual.com>

<http://www.luxmanual.com>

<http://aubethermostatmanual.com>

Golf course search by state

<http://golfingnear.com>

Email search by domain

<http://emailbydomain.com>

Auto manuals search

<http://auto.somanuals.com>

TV manuals search

<http://tv.somanuals.com>