

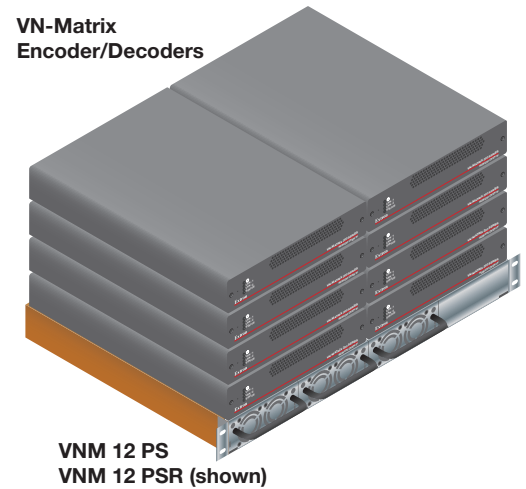
VNM 12 PS/PSR Power Supply • Installation Guide

The Extron VNM 12 PS and VNM 12 PSR power supplies provide an efficient method to connect power to as many as twelve (12) VN-Matrix® 200/225 or 300/325 Series encoder/decoder units in 19 inch equipment racks. The single rack space (1U) frame houses dual power supply modules (VNM 12 PS) or three hot-swappable power supply modules (VNM 12 PSR). A 12-way power distribution panel, VNM 12 PSD, attaches to the rear of the equipment rack. Cables are provided for connection between the panel and encoder/decoder units.

The VNM 12 PS consists of two assemblies:

- the power supply unit (PSU) and,
- the power supply distribution panel (PSD).

The power supply distribution panel (VNM 12 PSD) is a 1U, 19 inch rack mount unit that provides an interface from the power supply unit to the VN-Matrix 200/225 or VN-Matrix 300/325 series encoder/decoders.



Features

- **Compatible with VN-Matrix 200/225 or VN-Matrix 300/325 Series encoders and decoders.**
- **Simplified cabling** — Two cables from power supply to distribution assembly.
- **Hot-swappable triple supplies (VNM 12 PSR only)** — Provide redundant power for up to 12 encoder/decoder units and enable quick replacement with zero downtime.

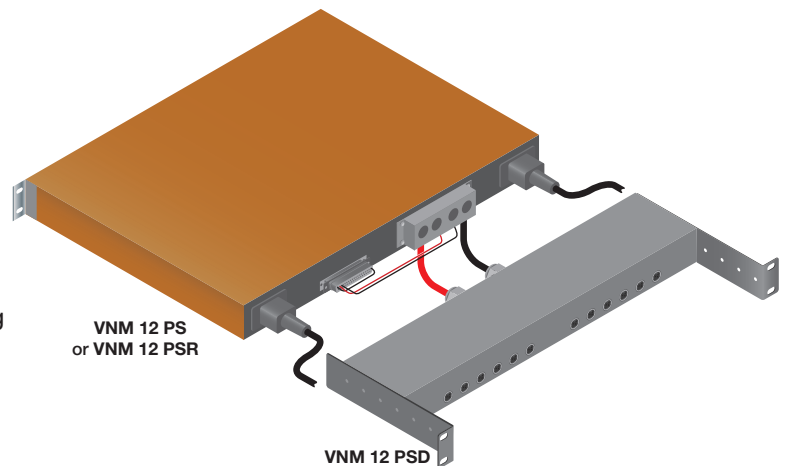
Rack Mounting

VNM 12 PS and VNM 12 PSR

With built-in brackets and supplied hardware, both units mount in a standard 19 inch rack in a 1U space.

VNM 12 PSD

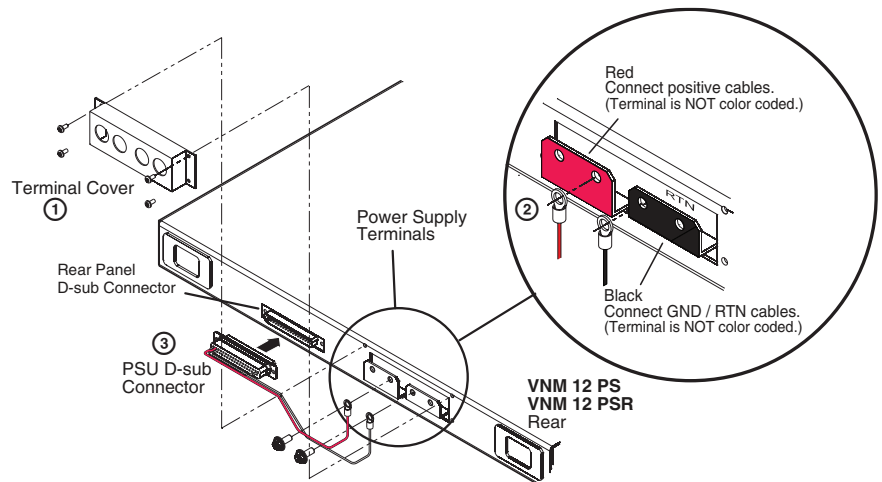
This unit has adjustable rack ears. It may be mounted directly behind the power supply if space is available. Alternately, it can be mounted near the PSU and as far to the rear of the rack as possible. Adjust the mounting brackets to ensure the two main supply cables can be connected to the power supply.



PSD to PSU Connection

Refer to the diagram at right to connect the PSU to the PSD assembly.

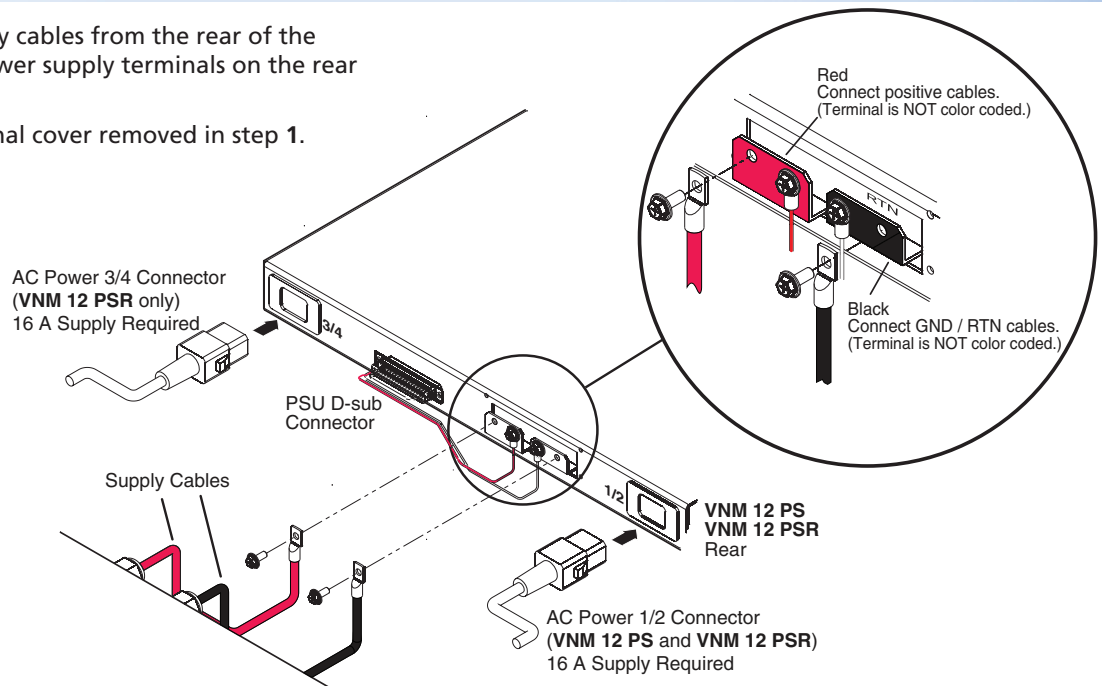
1. Remove the terminal cover from the rear of the VNM 12 PS or VNM 12 PSR unit.
2. Connect the cables from the PSU D-sub connector to the corresponding power supply terminals on the PSU.
3. Plug the D-sub connector into the PSU rear panel as shown.



CAUTION: The rear panel terminals are not color coded. Connect the black wires to the terminal labeled RTN or GND. Connect the red wires to the side that is not labeled.

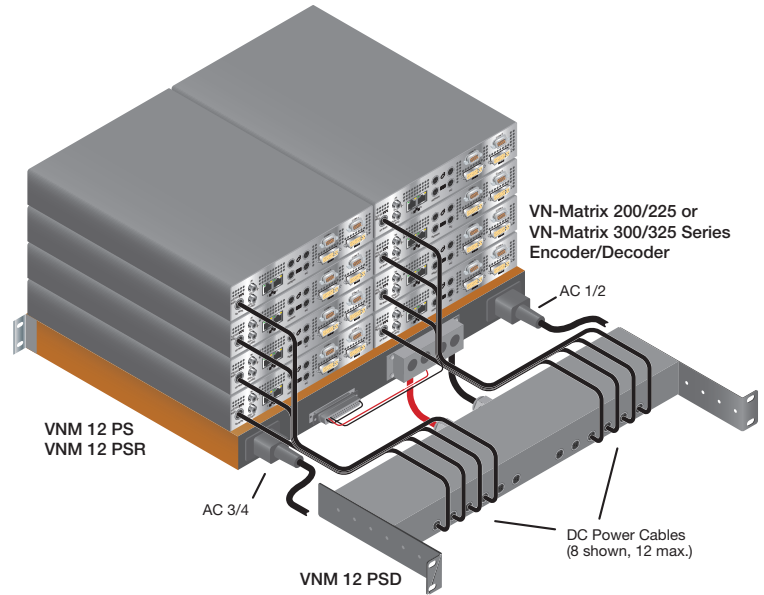
VNM 12 PS/PSR Power Supply • Installation Guide (Continued)

- Connect the two supply cables from the rear of the VNM 12 PSD to the power supply terminals on the rear of the PSU as shown.
- Replace the PSU terminal cover removed in step 1.



PSD to VN-Matrix Connection

- Using the supplied DC power cables, connect up to 12 VN-Matrix 200/225 or VN-Matrix 300/325 Series encoder/decoder devices to the distribution assembly as shown at right.
- Connect AC power to AC connector 1/2, (VNM 12 PS), or 1/2 and 3/4 (VNM 12 PSR).



VNM 12 PS/PSR Power Supply Module Replacement

There are two LEDs on the front panel of each power supply module. The AC Power LED indicates whether AC power input is present on the module. The DC power LED lights green during normal operation or red, accompanied by an audible alarm, to indicate a failed or overloaded supply.

If a power supply module fails, it may be replaced without removing power.

NOTE: Failed power supply modules in the VNM 12 PS can be replaced without removing AC power. However, if a module fails, depending upon how many VN-Matrix devices are connected, DC power output may be shut down. A failed module is identified and replaced the same as the VNM 12 PSR using the procedure below.

To replace a module:

- On the failed module, flip the front panel security latch up to release the module, then pull it from the frame.
- Push the replacement supply into the frame making certain it is on the mounting rails.
- Seat the supply by pressing it into the rear connector. Both the red AC and green DC indicators light when the power supply is properly seated.
- Flip the security latch down to secure the module.

Extron USA - West Headquarters	Extron USA - East	Extron Europe	Extron Asia	Extron Japan	Extron China	Extron Middle East
+800.633.9876 Inside USA/Canada Only	+800.633.9876 Inside USA/Canada Only	+800.3987.6673 Inside Europe Only	+800.7339.8766 Inside Asia Only	+81.3.3511.7655 +81.3.3511.7656 FAX	+400.883.1568 Inside China Only	+971.4.2991800 +971.4.2991880 FAX
+1.714.491.1500 +1.714.491.1517 FAX	+1.919.863.1794 +1.919.863.1797 FAX	+31.33.453.4040 +31.33.453.4050 FAX	+65.6383.4400 +65.6383.4664 FAX		+86.21.3760.1568 +86.21.3760.1566 FAX	

68-2002-01
Rev B
06 11

Free Manuals Download Website

<http://myh66.com>

<http://usermanuals.us>

<http://www.somanuals.com>

<http://www.4manuals.cc>

<http://www.manual-lib.com>

<http://www.404manual.com>

<http://www.luxmanual.com>

<http://aubethermostatmanual.com>

Golf course search by state

<http://golfingnear.com>

Email search by domain

<http://emailbydomain.com>

Auto manuals search

<http://auto.somanuals.com>

TV manuals search

<http://tv.somanuals.com>