

# PMK 250 Projector Mount Kit Instruction Card

## Part #70-526-02 and 70-526-03

The PMK 250 Low Profile Projector Mount Kit is an above-projector mounting kit that can hold up to two quarter-rack width products, or one product and one power supply.

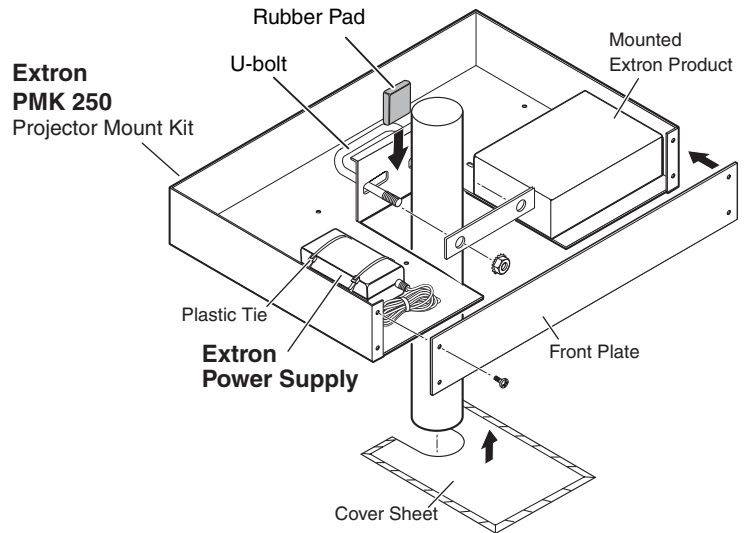
Each kit consists of a steel mounting bracket that is available in black (part #70-526-02) or white (part #70-526-03), a square U-bolt with a mounting brace plate, and an assortment of adhesive-backed cover sheets (in black or white) in four different sizes to cover the bottom opening of the bracket.

The bracket attaches to a 1" to 2" diameter projector mounting pole. Its low, 2-inch height allows it to be mounted in tight spaces between the projector and the ceiling, while its depth of 8.75" enables it to accommodate a variety of device sizes.

### Mounting to the Projector Pole

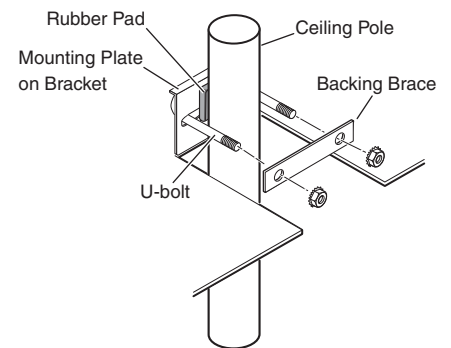
Mount products on the PMK 250 bracket as follows:

1. Remove the front panel from the PMK 250, using an Extron Tweezer (provided) or other small Philips screwdriver. (Retain the four screws to reattach the plate when finished.)
2. Remove the protective backing from the self-adhesive rubber pad, and place the pad on the PMK 250 mount plate, centering it between the two holes (see drawing at right).
3. Remove any rubber feet from the bottom of the device(s) to be mounted.



**PMK 250 with an Extron product and power supply mounted**

4. Secure a device to one side of the mounting bracket, using two of the supplied 4-40 x 3/16 screws in opposite (diagonal) corners.
5. If a power supply is connected to the device, use the two included tie wraps to strap the power supply to the bracket; or attach a second device, as described in step 4.
6. Place the bracket around the projector ceiling mounting pole as shown at right.
7. Insert the two legs of the square U-bolt through the slotted holes on the back side of the bracket mount plate, place them around the ceiling pole, then insert the two legs through the round holes on the backing brace.
  - **For a typical (1.5" to 2.0" diameter) pole** — You can use the supplied square U-bolt, which fits a typical ceiling pole.
  - **For a smaller pole** — Locally obtain a square U-bolt that fits your ceiling pole. The slotted holes on the bracket can accommodate a square U-bolt for pole sizes from 1.0" to 2.0" in diameter.
8. Move the PMK 250 up to the desired location on the ceiling pole, as close to the ceiling as desired.
9. Secure the back brace to the square U-bolt using the included hex nuts, washers, and lock washers. Tighten the hex nuts securely.



**Attaching the square U-bolt**

### CAUTION

Be sure to tighten the hex nuts securely enough that the PMK 250 does not slide down the ceiling pole. A socket wrench is recommended to tighten the hex nuts.

10. Secure the front panel to the mounting tray with four of the included #6 screws.
11. If desired, choose one of the four sizes of self-adhesive cover sheets, and apply it to the underside of the mounting tray.



**Extron Electronics, USA**  
1230 South Lewis Street  
Anaheim, CA 92805  
USA  
714.491.1500  
Fax 714.491.1517

**Extron Electronics, Europe**  
Beeldschermweg 6C  
3821 AH Amersfoort  
The Netherlands  
+31.33.453.4040  
Fax +31.33.453.4050

**Extron Electronics, Asia**  
135 Joo Seng Road, #04-01  
PM Industrial Building  
Singapore 368363  
+65.6383.4400  
Fax +65.6383.4664

**Extron Electronics, Japan**  
Kyodo Building  
16 Ichibancho  
Chiyoda-ku, Tokyo 102-0082 Japan  
+81.3.3511.7655  
Fax +81.3.3511.7656

68-1124-01, Rev. A  
08 05

## Free Manuals Download Website

<http://myh66.com>

<http://usermanuals.us>

<http://www.somanuals.com>

<http://www.4manuals.cc>

<http://www.manual-lib.com>

<http://www.404manual.com>

<http://www.luxmanual.com>

<http://aubethermostatmanual.com>

Golf course search by state

<http://golfingnear.com>

Email search by domain

<http://emailbydomain.com>

Auto manuals search

<http://auto.somanuals.com>

TV manuals search

<http://tv.somanuals.com>