

## FCMP 44 • Installation Guide

### IMPORTANT SAFETY INSTRUCTIONS

**Read all instructions before starting installation.**

When using this accessory, basic precautions should always be followed, including the following:

**WARNING: Risk of Personal Injury.** Maximum setup load for the FCMP 44 is **200 lbs (91.6 kg)**. The structural ceiling must be capable of supporting 4 times the weight of the final setup.

### SAVE THESE INSTRUCTIONS

**NOTE:** Refer to local building standards and codes to verify that the installation will meet the regulatory requirements. Observe all local and national building and safety codes, UL requirements, and ADA accessibility guidelines.

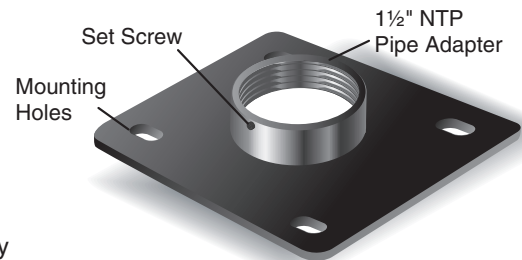
The FCMP 44 (Flat Ceiling Mount Plate) is a simple and easily installed mounting solution for hanging a projector in installations where a short extension pole is used or where larger mounting plates cannot be installed. The FCMP 44 can support a projector setup weighing up to 200 lbs (91.6 kg), and is suitable for installation on wooden joists. It has an integral 1½" National Pipe Thread pipe adapter, allowing the attachment of a suitable projector pole, such as one of the Extron PMP (Projector Mounting Pole) series. The FCMP 44 is a complementary mounting accessory for use with the Extron UPB 25 (Universal Projector Mount Bracket).

The features of the FCMP 44 are shown in figure 1. Included in the kit are: Flat Ceiling Mounting Plate, (1), and Hex Wrench, 3/32", (1).

### Checking the Mounting Location

Before starting the installation, it is important that these steps are followed:

- Check that the ceiling plate is suitable for the angle of the ceiling where the projector is to be installed.
- The installation must be done by a skilled technician



**Figure 1. FCMP 44 Features**

# FCMP 44 • Installation Guide, cont'd

## Installation

To install the FCMP 44 on a flat ceiling

1. Locate a suitable wooden joist at the location chosen for the installation. Mark the position of the four corner mounting holes (see figure 1). Each hole should be in the center of a joist (minimum size 2 inch by 4 inch). If the plate does not span two joists, build up a suitable support, using 2 by 4 inch minimum sized joists, ensuring each hole falls in the center of a joist.
2. Drill pilot holes perpendicular to the joist. The pilot holes should be 70% of shank diameter and the full depth of the lag bolts to be used (1/4 inch diameter by 4 inch lag bolts are recommended).
3. Using fasteners suitable for the mounting surface (not supplied, see above for recommended type), firmly secure the FCMP 44 to the joists. A minimum of four bolts, with washers, should be used.
4. Back out the set screws, and then screw a projector mounting pole (with an NPT 1.5 inch thread, such as an Extron PMP) of suitable length into the mounting plate. A minimum of three turns is needed to safely secure the pole. Be careful not to cross thread the pole into the mounting plate.
5. Secure the pole in position by tightening the set screws down.
6. Follow the instructions supplied with the projector mounting bracket to hang the bracket.

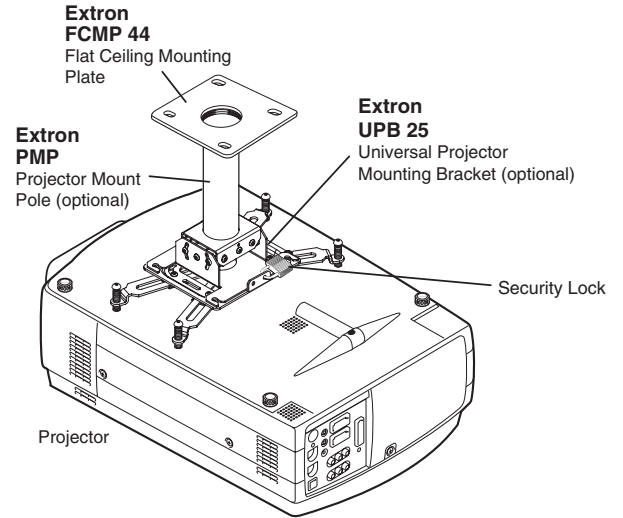


Figure 4. Typical Application of FCMP 44

## Specifications

Mount type .....	Pole Mount
Material.....	Metal
Plate dimensions.....	Various (see image)
Shipping weight .....	~ 2 lbs (1 kg)
Maximum capacity.....	200 lbs (91 kg)
Regulatory compliance	
Safety .....	CE, c-UL, UL for use with UL Listed mount and projector; OSHPD anchorage pre-approval
Vibration .....	ISTA 1A in carton (International Safe Transit Association)
Warranty .....	3 years parts and labor

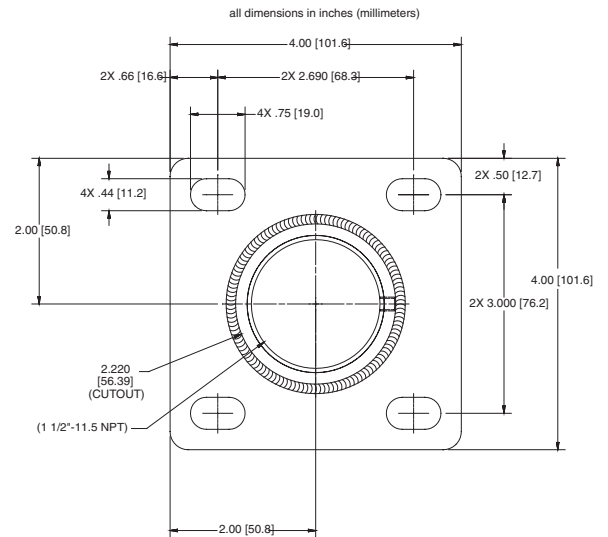


Figure 3. FCMP 44 Dimensions

<b>Extron Headquarters</b> +1.800.633.9876 (Inside USA/Canada Only)	<b>Extron Asia</b> +65.6383.4400	<b>Extron China</b> +86.21.3760.1568	<b>Extron Korea</b> +82.2.3444.1571
<b>Extron Europe</b> +31.33.453.4040	<b>Extron Japan</b> +81.3.3511.7655	<b>Extron Middle East</b> +971.4.2991800	<b>Extron India</b> +91.80.3055.3777

68-1248-01  
Rev B  
08 12

## Free Manuals Download Website

<http://myh66.com>

<http://usermanuals.us>

<http://www.somanuals.com>

<http://www.4manuals.cc>

<http://www.manual-lib.com>

<http://www.404manual.com>

<http://www.luxmanual.com>

<http://aubethermostatmanual.com>

Golf course search by state

<http://golfingnear.com>

Email search by domain

<http://emailbydomain.com>

Auto manuals search

<http://auto.somanuals.com>

TV manuals search

<http://tv.somanuals.com>