

PMK 155 • Installation Guide

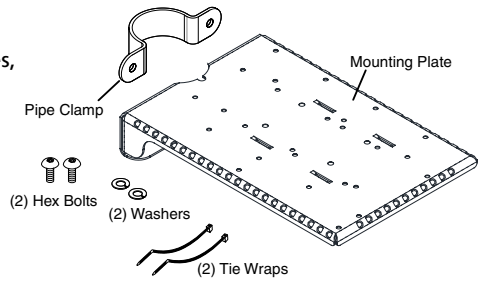
The Extron® PMK 155 Pole Mount Kit is a simple solution for mounting Extron devices and their external power supplies to a projector pole. The PMK can be installed on a 1.5-inch pipe within a 4-inch space between the projector and the ceiling.

Including the power supply, the following devices can be mounted:

- one three-inch deep half-rack device, or
- one six-inch deep half-rack device, or
- two three-inch deep quarter rack devices, or
- an MPA 401

ATTENTION: The maximum load for the PMK 155 is 5 lbs (2.25 kg).

NOTE: The PMK 155 is to be used only with Extron UL listed products.

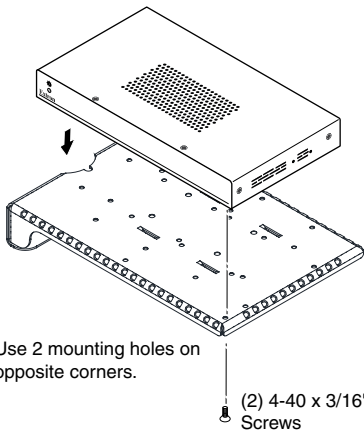


Installation

NOTE: Ensure the finished installation is in accordance with local and national building codes, fire and safety codes, UL requirements, and local and national electrical codes.

To install the PMK 155 (with a device) on a projector pole:

1. Place the plate on the base of the device and align holes in the plate with the mounting holes in the device.



Use 2 mounting holes on opposite corners.

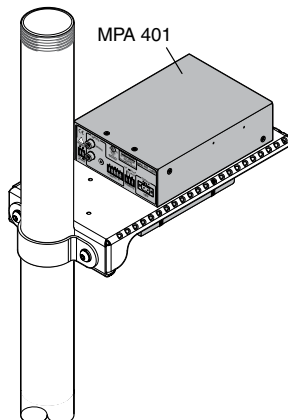
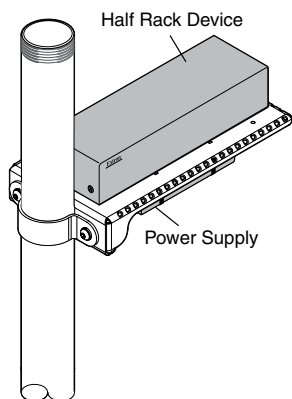
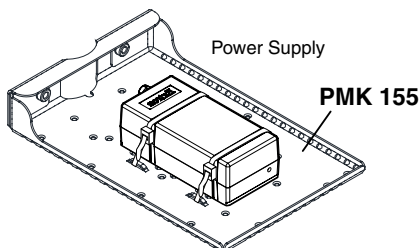
(2) 4-40 x 3/16"
Screws

2. Secure the device to the plate with 4-40 screws.

ATTENTION: Use only the screws supplied with the device to avoid damaging it.

PMK 155 • Installation Guide (Continued)

- Attach the power supply to the underside of the mounting plate by passing the supplied tie wraps under the power supply, through the raised slots in the plate, and back over the power supply. Ensure the tie wraps sit in the grooves on the power supply. Tighten the ties until snug.
- With the installed device uppermost, lift the plate up to the installation location on the projector pipe. Fit the pipe clamp around the pipe and hold it against the flange on the mounting plate.
- Insert the two hex bolts through the clamp holes and into the flange.
- Level the plate and tighten the hex bolts firmly to secure it against the pipe.



- Attach input and output cables to the mounted device and thread them through the access hole in the projector pipe to the inputs and the display device. Use the remaining tie wraps for cable tidying.

CAUTION: DO NOT thread the power cable through the projector pipe. Threading the power cable through the pipe violates national electrical regulations.

- Connect the power supply to an electrical outlet and turn on the device.

For configuration and operation, see the user guide for the specific device.

Extron Headquarters +800.633.9876 Inside USA/Canada Only		Extron Europe +800.3987.6673 Inside Europe Only	Extron Asia +800.7339.8766 Inside Asia Only	Extron Japan +81.3.3511.7655 FAX +81.3.3511.7656	Extron China +4000.EXTRON +4000.398766 Inside China Only	Extron India 1800.3070.3777 Inside India Only
Extron USA - West +1.714.491.1500 FAX: +1.714.491.1517	Extron USA - East +1.919.850.1000	+31.33.453.4040 FAX: +31.33.453.4050	+65.6383.4400 FAX: +65.6383.4664	Extron Middle East +971.4.2991800 FAX: +971.4.2991880	+86.21.3760.1568 FAX: +86.21.3760.1566	+91-80-3055.3777 +91 80 3055 3737 FAX
						Extron Korea +82.2.3444.1571 +82.2.3444.1575 FAX

Free Manuals Download Website

<http://myh66.com>

<http://usermanuals.us>

<http://www.somanuals.com>

<http://www.4manuals.cc>

<http://www.manual-lib.com>

<http://www.404manual.com>

<http://www.luxmanual.com>

<http://aubethermostatmanual.com>

Golf course search by state

<http://golfingnear.com>

Email search by domain

<http://emailbydomain.com>

Auto manuals search

<http://auto.somanuals.com>

TV manuals search

<http://tv.somanuals.com>