

PMK 550 • Installation Guide

The Extron PMK 550 Pole Mount Kit, designed for use with the Extron PoleVault™ System, allows for easy mounting of PoleVault products to a projector pole. The PMK 550 is compatible with both the PVS 204 series and PVS 305 series of PoleVault switchers. When installed it mounts the PoleVault system switcher, the associated power supply, and an accessory device within an enclosure below a suspended ceiling.

CAUTION: Maximum load for the PMK 550 is 15 lbs (6.8 kg).

Items included in the kit are:

Covers (2), Base plate (1), Mounting plate (1), Tie wraps and pads (to secure power supply), 4-40 Screws (to mount devices) (3), Cover Screws, (4)

NOTE: For full device installation, configuration, menus, connector wiring, and operation details of the PoleVault switcher, see the relevant *PoleVault System Installation Guide* available at www.extron.com.

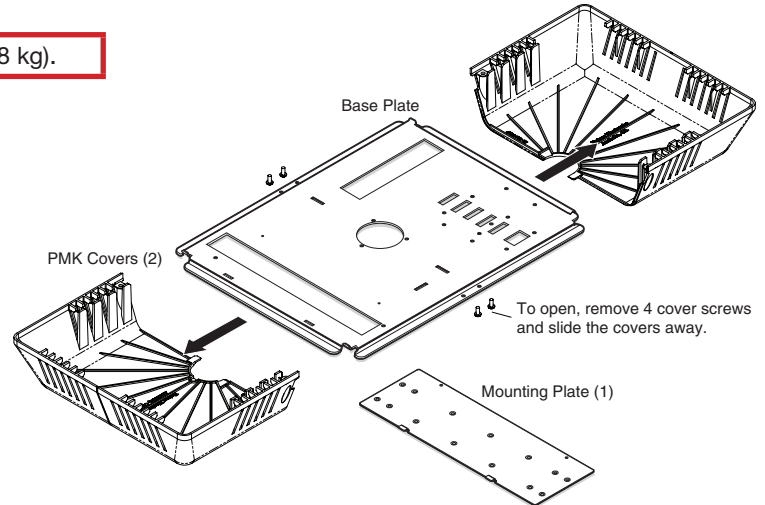


Figure 1. PMK 550

Installation

To install the PMK 550 in a PoleVault system:

1. Remove the four cover screws from the center (see figure 1). Slide the two halves apart and remove them from the base plate.

NOTE: If the PoleVault switcher and its power supply are already installed, go directly to step 5.

2. To mount the PoleVault switcher, place the mounting plate, with the raised tabs upwards, on top of the switcher top and pass the two supplied 4-40 x 3/16 inch screws into the top of the switcher (see figure 2, top). Secure the mounting plate but do not overtighten.
3. Hook the combined plate and switcher into the PMK 550 base plate. Secure it to the base plate with two screws.

NOTES:

- Any installed switcher should be secured to the plate in an upside down position so that when the plate is rotated to hang from the ceiling, the device will be in its correct orientation (see figure 2, bottom).
- Use only supplied screws to avoid damaging the switcher.

4. Attach the associated power supply with the supplied tie wraps and pads, by passing them through the appropriate slots and around the power supply (see figures 2 and 3). Tighten until snug.

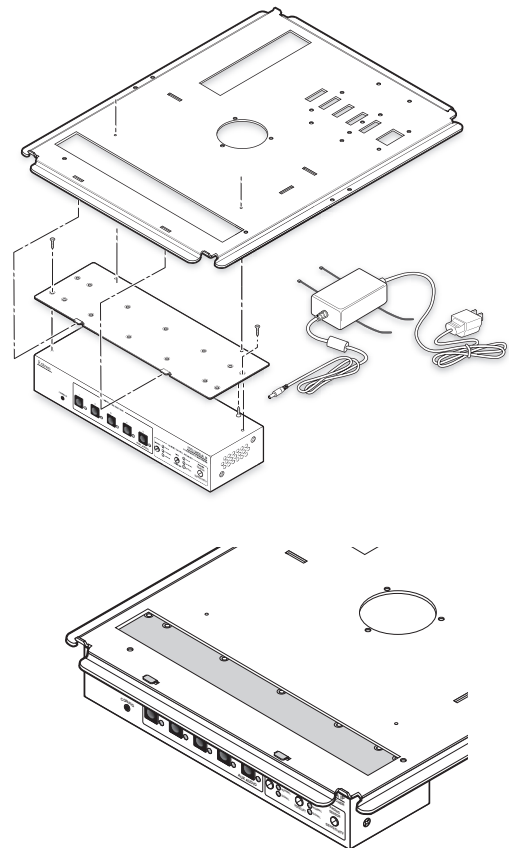


Figure 2. Installing the PVS Switcher

PMK 550 • Installation Guide (Continued)

5. Loosen the four pipe collar set screws, and slide the plate up the pipe until the base plate is touching the suspended ceiling.
6. Level the plate and secure it by fully tightening the set screws.

NOTE: At least three set screws must come in contact with the pipe.

7. Route the signal cables so that they exit the pipe via the cable access slot (see figure 3).

WARNING: Do not thread any high voltage power cabling, such as power supply or projector power cords, through the projector pipe. This violates National Electrical Code

8. Attach the cables to the switcher and pull any excess cable back into the ceiling. Feed the output cables to the projector via the cable access slot to the base of the pipe.
9. Continue installing the projector and other devices, following the manufacturers directions.
10. Slide the covers onto the base plate, passing the AC power cord out through the slot between the covers (see figure 3).
11. Lock the covers to the plate with the cover screws.

Refer to the relevant *PoleVault System Installation Guide* to complete the installation and setup.

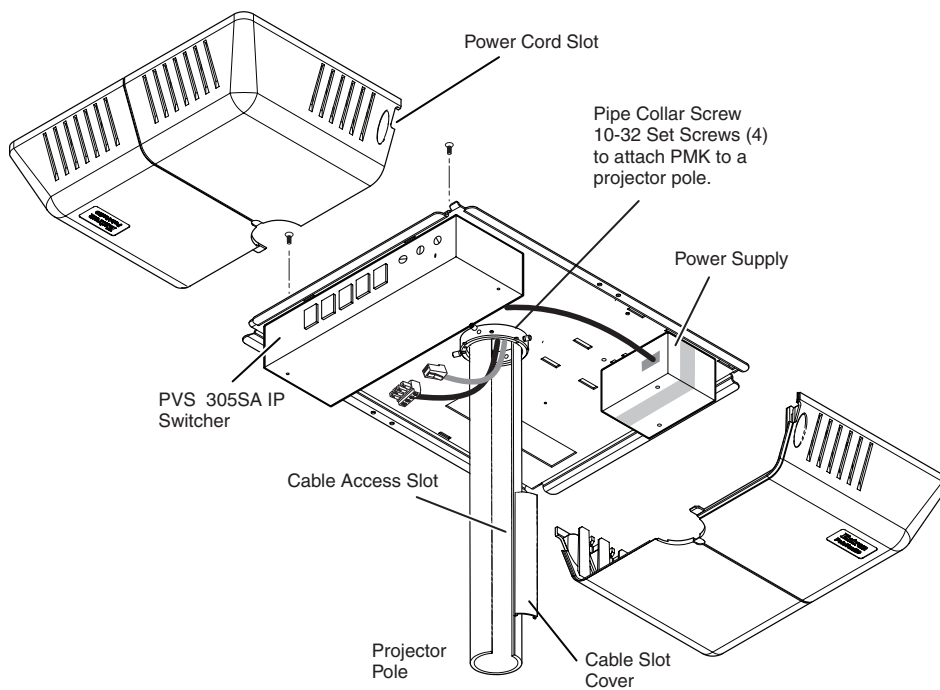


Figure 3. Attach the PMK to the pole, cable the PVS switcher (PVS 305SA IP shown) and then re-attach the two covers.

Extron Headquarters +800.633.9876 Inside USA/Canada Only		Extron Europe +800.3987.6673 Inside Europe Only	Extron Asia +65.6383.4400 +65.6383.4664 FAX	Extron Japan +81.3.3511.7655 +81.3.3511.7656 FAX	Extron China +86.21.3760.1568 +86.21.3760.1566 FAX	Extron Middle East +971.4.299.1800 +971.4.299.1880 FAX	Extron Korea +82.2.3444.1571 +82.2.3444.1575 FAX	Extron India 1800.3070.3777 (Inside India Only) +91.80.3055.3777 +91.80.3055.3737 FAX
Extron USA - West +1.714.491.1500 +1.714.491.1517 FAX	Extron USA - East +1.919.850.1000 +1.919.850.1001 FAX	+31.33.453.4040 +31.33.453.4050 FAX						

Free Manuals Download Website

<http://myh66.com>

<http://usermanuals.us>

<http://www.somanuals.com>

<http://www.4manuals.cc>

<http://www.manual-lib.com>

<http://www.404manual.com>

<http://www.luxmanual.com>

<http://aubethermostatmanual.com>

Golf course search by state

<http://golfingnear.com>

Email search by domain

<http://emailbydomain.com>

Auto manuals search

<http://auto.somanuals.com>

TV manuals search

<http://tv.somanuals.com>