

IMPORTANT:
Go to www.extron.com for the complete system installation guide, instructions, and specifications.

PMK 560 • Installation Guide

The Extron PMK 560 Pole Mount Kit, designed for use with the Extron PoleVault™ System, allows for easy mounting of PoleVault products to a projector pole. It is used to mount the PoleVault system switcher the associated power supply and an accessory device within an enclosure and below a suspended ceiling.

CAUTION: Maximum load for the PMK 560 is 15 lbs (6.8 kg).

Items included in the kit are:

- Covers (2), Base plate (1), Mounting plate (1),
- Tie wraps and pads (to secure power supply)
- 4-40 Screws (to mount devices) (3), Cover Screws (4)

NOTE: For full device installation, configuration, menus, connector wiring, and operation details of the PoleVault switcher, see the *PoleVault System Installation Guide*, available at www.extron.com.

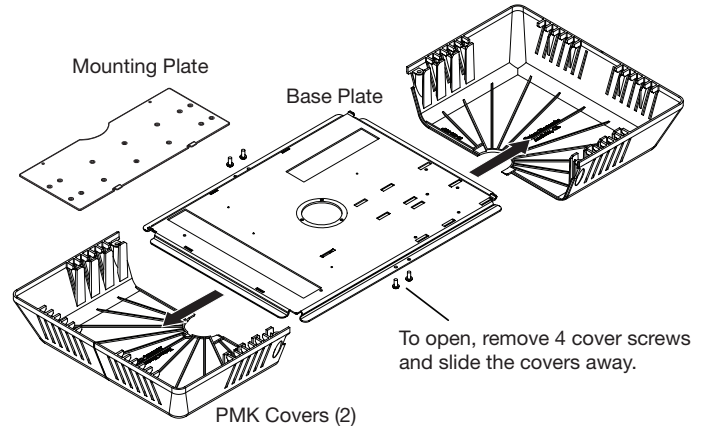


Figure 1. PMK 560

Installation

To install the PMK 560 in a PoleVault system:

1. Remove the four cover screws from the center of the PMK 560 (see figure 1). Slide the two halves apart and remove them from the base plate.

NOTE: If the PoleVault switcher and its power supply are already installed, go directly to step 4.

2. To mount the PoleVault switcher, place the mounting plate, with the raised tabs upwards, on the top surface of the switcher and pass the two supplied 4-40 x 3/16 inch screws into the top of the switcher (see figure 2, ②). Secure the mounting plate but do not overtighten.
3. Attach the associated power supply to the base plate with the supplied tie wraps and pads, by passing them through the appropriate slots and around the power supply (see figure 2 ③). Tighten until snug.
4. Loosen the four pipe collar set screws (see figure 2 ④), and slide the base plate up the pipe until it is touching the suspended ceiling.
5. Level the base plate and secure it by fully tightening the set screws.

NOTE: At least three set screws must come in contact with the pipe.

6. Hook the combined plate and switcher into the PMK 560 base plate (see figure 2, ⑤). Secure it to the base plate with two screws.

ATTENTION: Use only supplied screws to avoid damaging the switcher.

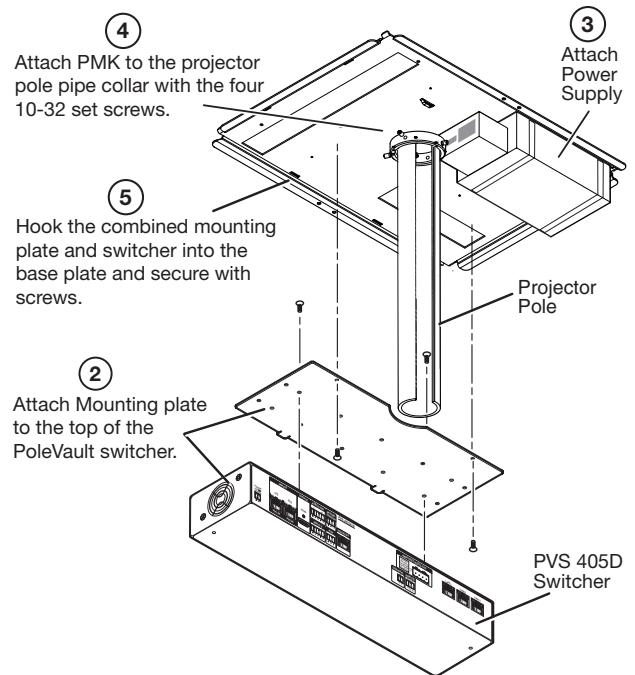


Figure 2. Attach the mounting plate to the switcher and secure both to the base plate.

PMK 560 • Installation Guide (Continued)

7. Route the signal cables so that they exit the pipe via the cable access slot (see figure 3).

WARNING: Do not thread any high voltage power cabling, such as power supply or projector power cords, through the projector pipe. This violates National Electrical Code.

8. Attach the cables to the switcher and pull any excess cable back into the ceiling. Feed the output cables to the projector via the cable access slot to the base of the pipe.
9. Continue installing the projector and other devices, following the directions of the relevant device manufacturer.
10. Slide the covers onto the base plate, passing the AC power cord out through the power cord slot between the covers (see figure 3).
11. Lock the covers to the plate with the cover screws.

Refer to the *PoleVault System Installation Guide*, available at www.extron.com, to complete the installation and setup.

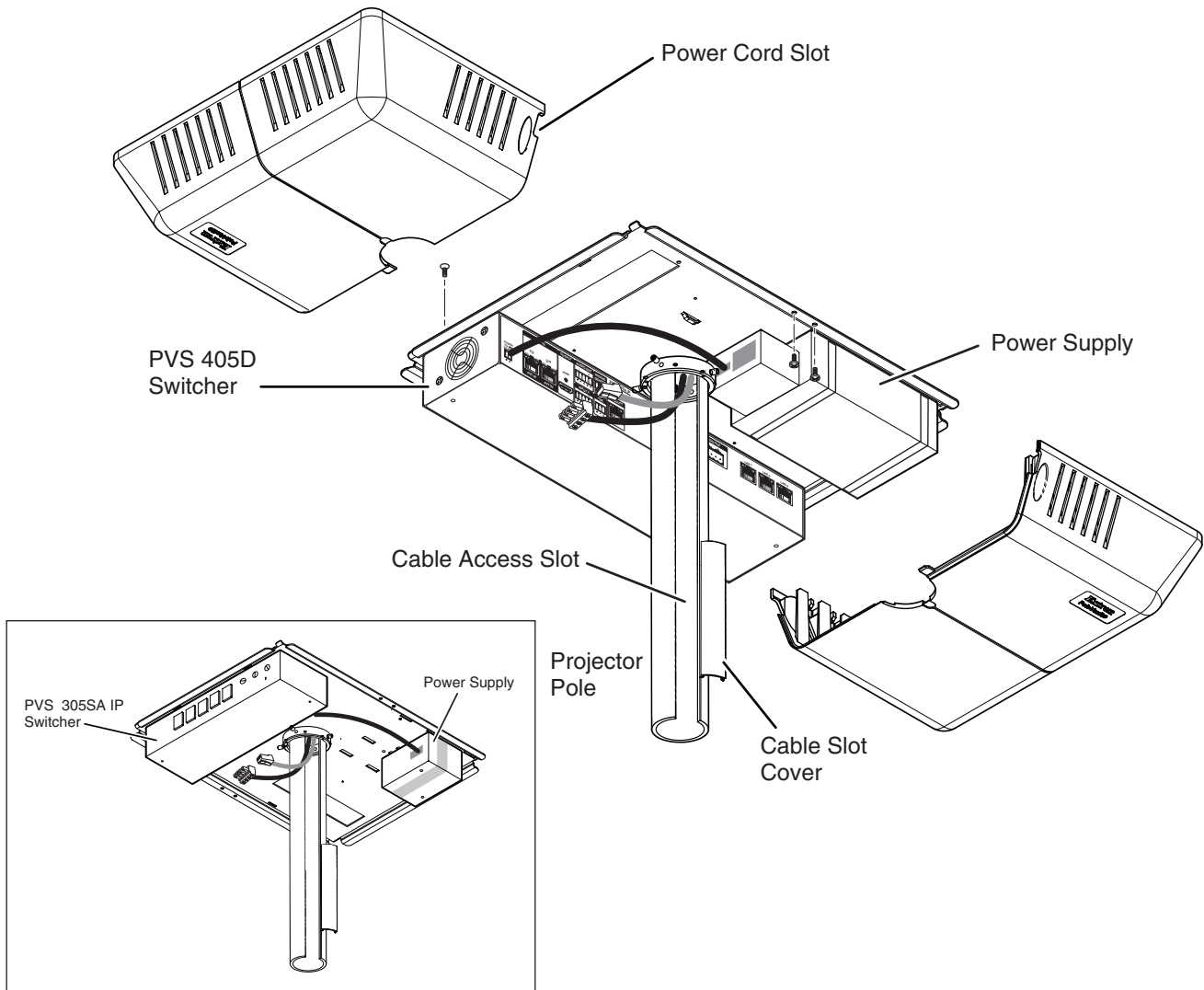


Figure 3. Attach the PMK to the pole, cable the PVS switcher and then re-attach the two covers (inset shows the PVS 305SA IP installation location).

Extron Headquarters +800.633.9876 (Inside USA/Canada Only)		Extron Europe +800.3987.6673 (Inside Europe Only)	Extron Asia +65.6383.4400 +65.6383.4664 FAX	Extron Japan +81.3.3511.7655 +81.3.3511.7656 FAX	Extron China +86.21.3760.1568 +86.21.3760.1566 FAX	Extron Middle East +971.4.299.1800 +971.4.299.1880 FAX	Extron Korea +82.2.3444.1571 +82.2.3444.1575 FAX	Extron India 1800.3070.3777 (Inside India Only)
Extron USA - West +1.714.491.1500 +1.714.491.1517 FAX	Extron USA - East +1.919.850.1000 +1.919.850.1001 FAX	+31.33.453.4040 +31.33.453.4050 FAX						+91.80.3055.3777 +91.80.3055.3737 FAX

Free Manuals Download Website

<http://myh66.com>

<http://usermanuals.us>

<http://www.somanuals.com>

<http://www.4manuals.cc>

<http://www.manual-lib.com>

<http://www.404manual.com>

<http://www.luxmanual.com>

<http://aubethermostatmanual.com>

Golf course search by state

<http://golfingnear.com>

Email search by domain

<http://emailbydomain.com>

Auto manuals search

<http://auto.somanuals.com>

TV manuals search

<http://tv.somanuals.com>