

PMK 300 Multi-Product Projector Mounting Kit Installation Instructions

NOTE Only VersaTools products and most IP Link products can be mounted using the multi-product projector mounting kit.

1. If necessary, remove the feet from the bottom of the device to be installed.
2. Mount the device(s) to any of the bracket's three mounting plates. The device(s) can be vertically mounted facing either up or down, whichever is most convenient. See figure 1 on the other side of this card.

NOTE On the side mounting plates, the device is typically mounted on the outside of the bracket.
On the front mounting plate, the device is typically mounted on the inside of the bracket.

- a. For a VersaTools or IP Link device, use two supplied 4-40 x 3/16 screws in opposite (diagonal) corners to secure the device to the bracket.
- b. For a power supply, use the two included tie wraps to strap the power supply to the bracket.

NOTE The PMK 300 has a hole in the bottom plate that allows the projector pole to be inserted through the center of the plate rather than outside of the plate (see figure 2 on the other side of this card). To install the PMK 300 in this configuration, slide the bracket up from the bottom of the pole before the projector is installed on the pole.

3. Affix the supplied rubber pad to the side of the U-bolt clamping plate that the projector pole contacts.
4. Place the U-bolt around the ceiling pole and insert the two legs of the U-bolt through the slotted holes on the bracket's clamping plate and then through the round holes on the backing brace.

For a typical (1.5" to 2.0" diameter) pole — The supplied U-bolt fits a typical ceiling pole.

For a smaller or larger pole — Locally obtain a U-bolt that fits the ceiling pole. The slotted holes on the bracket can accommodate a U-bolt for pole sizes from 1.0" to 2.5" in diameter.

5. Secure the bracket to the U-bolt with the included hex nuts, washers, and lock washers. Use a proper-sized socket to tighten the hex nuts.



Extron Electronics, USA
1230 South Lewis Street
Anaheim, CA 92805
USA
714.491.1500
Fax 714.491.1517

Extron Electronics, Europe
Beeldschermweg 6C
3821 AH Amersfoort
The Netherlands
+31.33.453.4040
Fax +31.33.453.4050

Extron Electronics, Asia
135 Joo Seng Road, #04-01
PM Industrial Building
Singapore 368363
+65.6383.4400
Fax +65.6383.4664

Extron Electronics, Japan
Kyodo Building
16 Ichibancho
Chiyoda-ku, Tokyo 102-0082 Japan
+81.3.3511.7655
Fax +81.3.3511.7656

68-993-01
Rev. B 12 05

PMK 300 Multi-Product Projector Mounting Kit Installation Instructions (continued)

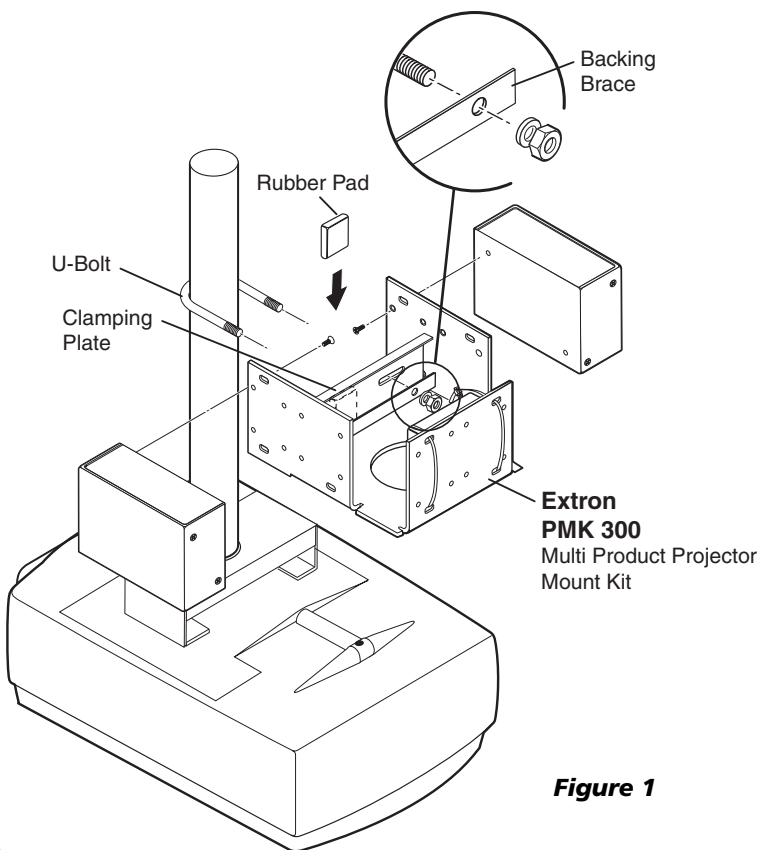


Figure 1

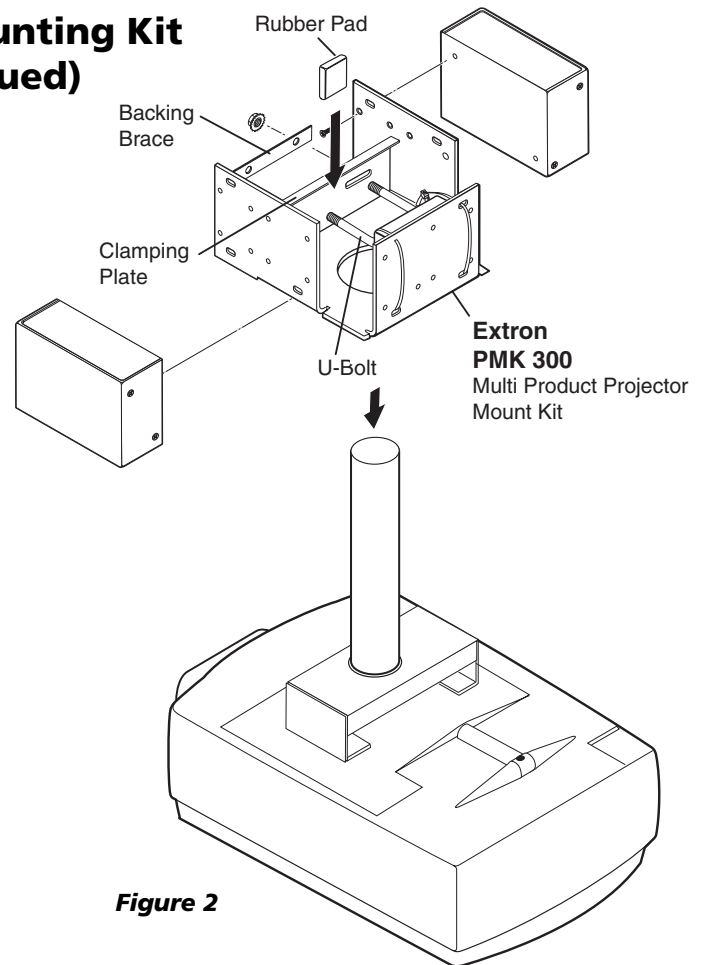


Figure 2

Free Manuals Download Website

<http://myh66.com>

<http://usermanuals.us>

<http://www.somanuals.com>

<http://www.4manuals.cc>

<http://www.manual-lib.com>

<http://www.404manual.com>

<http://www.luxmanual.com>

<http://aubethermostatmanual.com>

Golf course search by state

<http://golfingnear.com>

Email search by domain

<http://emailbydomain.com>

Auto manuals search

<http://auto.somanuals.com>

TV manuals search

<http://tv.somanuals.com>