

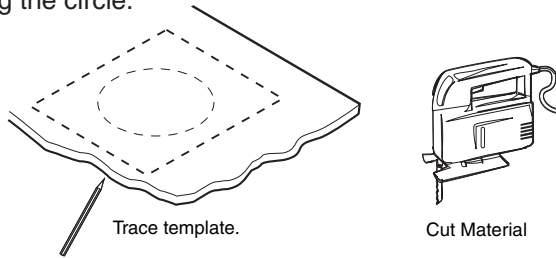
Extron SI 26CT Ceiling Speaker

User's Guide

Frame Construction Ceiling Installation

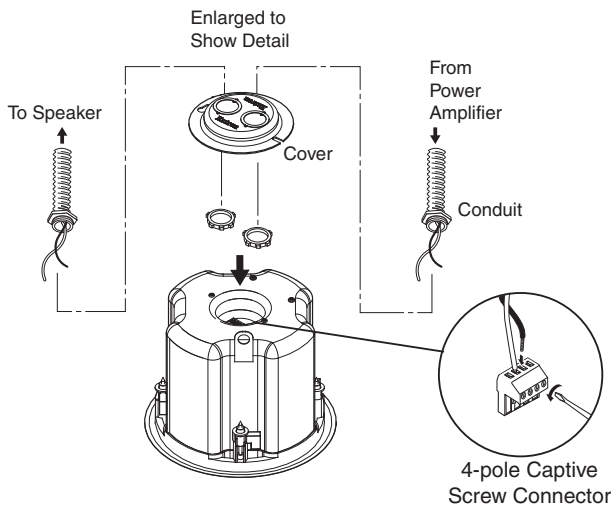
1

Take the cutout template from the packaging box and punch out along the larger perforated circle. Place the cutout template against the bottom of the ceiling and trace the inside of it. Carefully cut out the ceiling material along the circle.



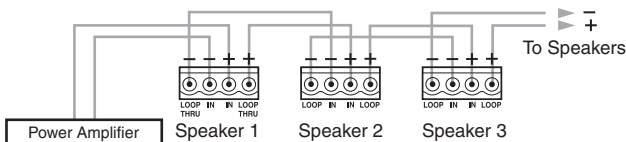
2

Remove the top cover to access the speaker connector. Attach the speaker wires to the 4-pole captive screw connector (supplied). Insert the 4-pole captive screw plug into the connector on back of the speaker. Install the conduit and secure the connections.



3

Replace the top cover and tighten the screws. Insert the speaker through the bottom of the hole in the ceiling.

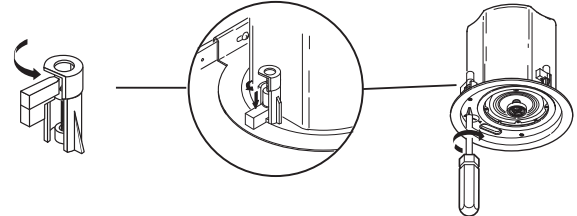


Parallel Hookup Wiring Diagram

4

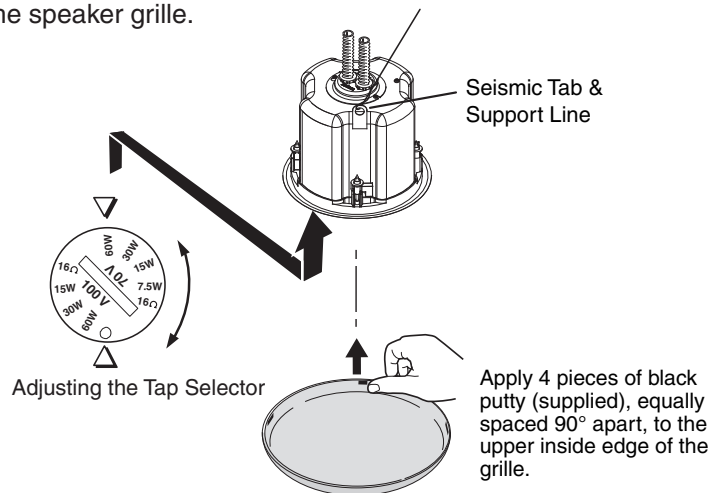
Loosen the four screws on the front baffle (counter clockwise) 1/2 turn. Then tighten the screws (clockwise) until the dog legs clamp the speaker to the ceiling.

CAUTION Do not over tighten screws.



5

Connect a secondary support line from the seismic tab to a secure support point. Set the rotary tap selector and install the speaker grille.



Specifications:

Acoustic & Electrical

Speaker type.....	2-way, low profile ceiling speaker with metal back can
Frequency range.....	70 Hz to 20 kHz, -10 dB, half space
Power capacity.....	150 W continuous program 75 W continuous pink noise
Nominal sensitivity.....	89 dB, 1 W @ 1 m, 60 W tap, half space
Nominal coverage angle.....	110° conical coverage
Nominal impedance	16 ohms
Crossover frequency.....	3.5 kHz
Rotary switch taps.....	70V: 60 W, 30 W, 15 W, 7.5 W, 16 ohms direct 100V: null, 60 W, 30 W, 15 W, 16 ohms direct
Woofer.....	6.5" (165 mm) polypropylene cone with moisture resistant coating
Tweeter.....	1.0" (25 mm) titanium dome
Overload protection.....	Full range power limiter with the 16 ohm direct input only, protecting the tweeter, woofer, and crossover

General

Temperature/humidity.....	Storage: -40 to +158 °F (-40 to +70 °C) / 10% to 90%, noncondensing Operating: +32 to +122 °F (0 to +50 °C) / 10% to 90%, noncondensing
Listings	UL 2043, UL1480
Compliances	CE, NFPA90, NFPA70A
Warranty	5 years parts and labor

NOTE: All nominal levels are at ±10%.

NOTE: Specifications are subject to change without notice.

Extron

SI 26CT

Ceiling Speaker

User's Guide

Suspended Ceiling Installation

1

Remove the ceiling tile where the speaker is to be installed.

2

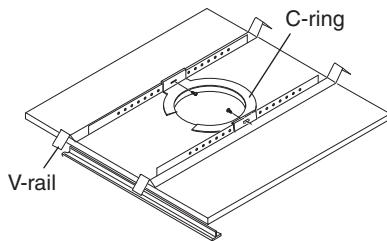
Cut the hole in the tile. See step 1 of the *Frame Construction Ceiling Installation* section on the back.

3

Bring the speaker cable through the hole of the cut tile, then reinstall the tile.

4

Remove the adjacent tile. Place 2 V-rails and 1 C-ring across the tile where speaker is to be installed. Insert the speaker through the bottom of the hole in the ceiling tile.



5

Connect the wires to the speaker terminal clips (see step 2 on the back).

6

Loosen the four screws on the front baffle (counter clockwise) 1/2 turn. Then tighten the screws (clockwise) until the dog legs clamp the speaker to the ceiling.

CAUTION Do not over-tighten screws!

7

Connect a secondary support line from the seismic tab to a secure support point (see step 5 on the back).

8

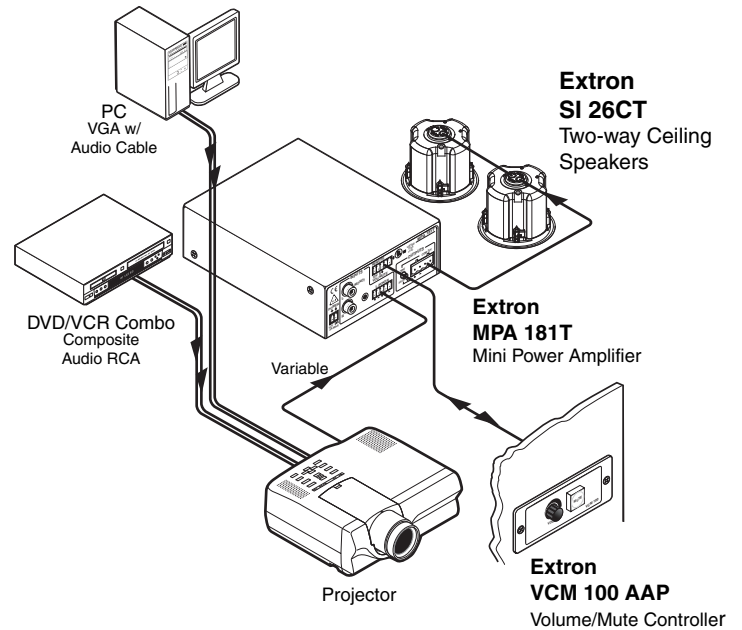
Apply 4 pieces of black putty (supplied), equally spaced 90° apart, to the upper inside edge of the grille (see step 5 on the back).

Install the speaker grille.

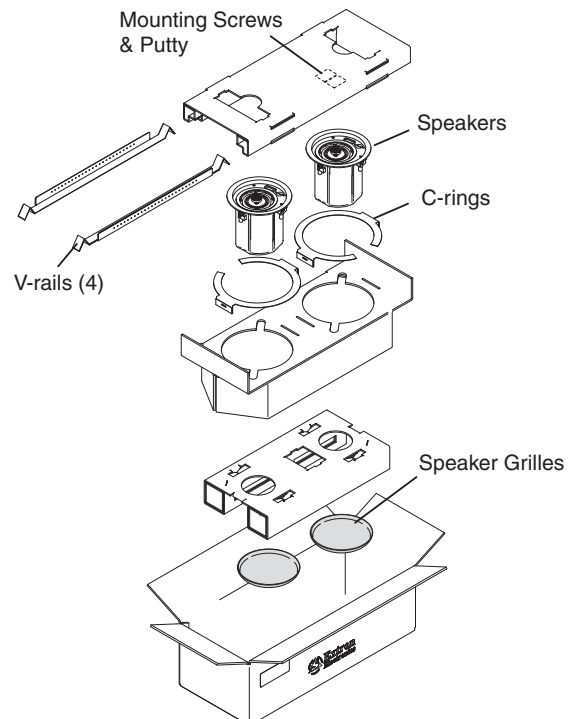
Painting the Speaker Baffle

Cut along the smaller perforated line of the cutout template, marked as paint shield. Push it into the front baffle of the speaker. Paint the front. Remove the paint shield after the paint has dried.

Application diagram



Packaging



Free Manuals Download Website

<http://myh66.com>

<http://usermanuals.us>

<http://www.somanuals.com>

<http://www.4manuals.cc>

<http://www.manual-lib.com>

<http://www.404manual.com>

<http://www.luxmanual.com>

<http://aubethermostatmanual.com>

Golf course search by state

<http://golfingnear.com>

Email search by domain

<http://emailbydomain.com>

Auto manuals search

<http://auto.somanuals.com>

TV manuals search

<http://tv.somanuals.com>