

Extron

SI 26X

Ceiling Speaker

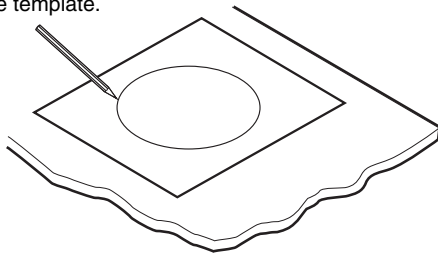
User's Guide

Frame Construction Ceiling Installation

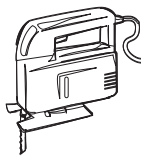
1

Take the cutout template from the packaging box and punch out the larger perforated circle. Place the cutout template against the ceiling and trace the inside of the circle. Carefully cut out the ceiling material around the circle.

Trace template.



Cut Material

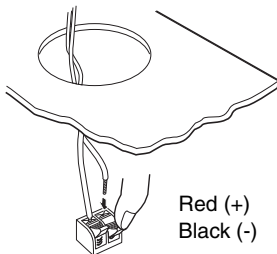


2

Remove the grill from the speaker.

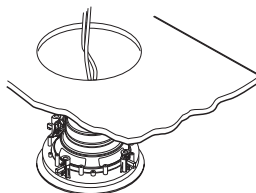
3

Bring the speaker cable through the hole in the ceiling and connect the leads to the speaker's spring terminal clips.



4

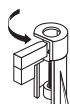
Insert the speaker through the bottom of the hole in the ceiling.



5

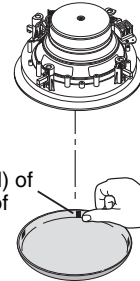
Loosen the four screws on the front baffle (counterclockwise) 1/2 turn. Then tighten the screws (clockwise) until the dog legs clamp the speaker to the ceiling.

CAUTION Do not over tighten screws.



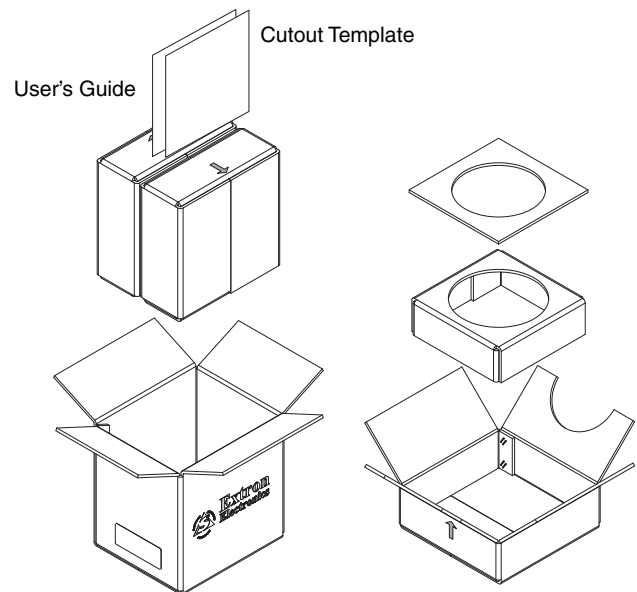
6

Install the speaker grill.



Apply 4 pieces (supplied) of black putty to the edge of the grill.

Packaging



Specifications:

Acoustic & Electrical

Speaker type.....	2-way, open back ceiling speaker
Frequency range.....	50 Hz to 20 kHz, -10 dB, half space
Power capacity.....	50 W continuous program, 25 W continuous pink noise
Nominal sensitivity.....	89 dB, 1 W, 1 m, half space
Nominal impedance.....	8 ohms
Crossover frequency.....	3 kHz
Nominal coverage.....	110°
Woofer.....	6.5" (165 mm) polypropylene cone with moisture resistant coating
Tweeter.....	0.75" (19 mm) titanium dome

General

Temperature/humidity.....	Storage: -40 to +158 °F (-40 to +70 °C) / 10% to 90%, noncondensing Operating: +32 to +122 °F (0 to +50 °C) / 10% to 90%, noncondensing
Warranty	5 years parts and labor

NOTE All nominal levels are at ±10%.

NOTE Specifications are subject to change without notice.

Extron SI 26X Ceiling Speaker

User's Guide

Suspended Ceiling Installation

NOTE An optional ceiling mount kit (Part # 70-533-01) needs to be purchased separately. Each kit has the hardware to mount 2 speakers.

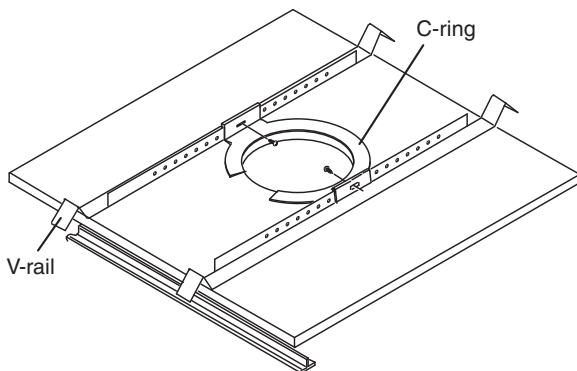
1
Remove the ceiling tile where the speaker is to be installed.

2
Cut the hole in the tile. See step 1 of the frame construction ceiling section on the reverse side of this sheet.

3
Remove the grill from the speaker.

4
Bring the speaker cable through the hole of the cut tile, then reinstall the tile.

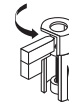
5
Remove the adjacent tile. Place 2 V-rails and 1 C-ring across the tile where the speaker is to be installed. Insert the speaker through the bottom of the hole in the ceiling tile.



6
Connect the wires to the speaker terminal clips (as in step 3 on the reverse side of this sheet).

7
Loosen the four screws on the front baffle (counterclockwise) 1/2 turn. Then tighten the screws (clockwise) until the dog legs clamp the speaker to the ceiling.

CAUTION Do not over-tighten screws!

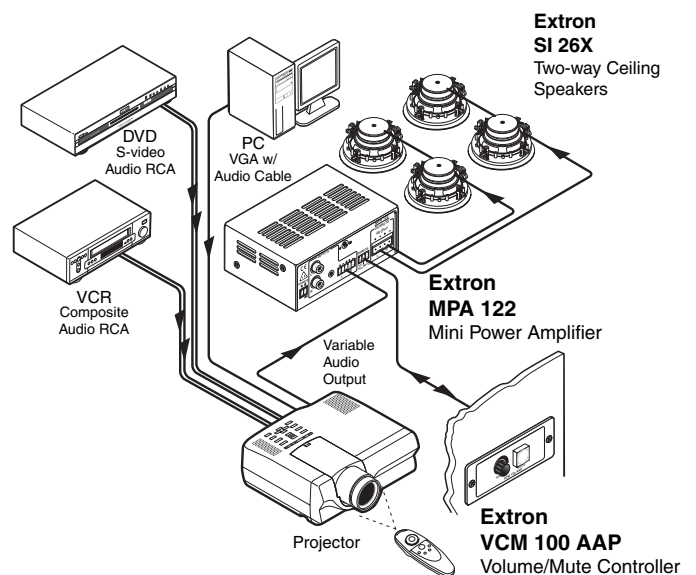


8
Apply 4 pieces (supplied) of black putty (see the reverse side of this sheet). Install the speaker grille.

Painting the Speaker Baffle

Tear along the smaller perforated line of the cutout template, marked as paint guard. Push the paint guard into the front baffle of the speaker. Paint the front. Remove the paint guard after the paint has dried.

Application diagram:



Free Manuals Download Website

<http://myh66.com>

<http://usermanuals.us>

<http://www.somanuals.com>

<http://www.4manuals.cc>

<http://www.manual-lib.com>

<http://www.404manual.com>

<http://www.luxmanual.com>

<http://aubethermostatmanual.com>

Golf course search by state

<http://golfingnear.com>

Email search by domain

<http://emailbydomain.com>

Auto manuals search

<http://auto.somanuals.com>

TV manuals search

<http://tv.somanuals.com>