

ADA 2/GLI 350 HV

Two Output RGBHV Distribution Amplifier with Built-In
GLI - Ground Loop Isolator



FEATURES

- **Input:** One set of five female BNCs
- **Outputs:** Two sets of five female BNCs
- Eliminates "hum" bars and common mode noise
- Active differential amplifiers for electronic noise cancellation
- 350 MHz (-3 dB) RGB video bandwidth, fully loaded
- 15-135 kHz horizontal frequency range
- One input, two outputs
- Compatible with RGBHV, RGBS, RsGsBs, and RGSB
- NTSC, PAL, and SECAM compatible, on RGB channels
- High performance
- Rugged, metal enclosure
- External international power supply attached

DESCRIPTION

The Extron **ADA 2/GLI 350 HV** is a one input, two output RGB and sync analog distribution amplifier with a built-in GLI 350 ground loop isolator. The ADA 2/GLI 350 HV is compatible with any computer source that runs RGSB, RsGsBs, RGBS, and RGBHV. The ADA 2/GLI 350 HV has a 350 MHz (-3 dB) RGB video bandwidth and two buffered outputs for connecting a personal computer or a high resolution BNC output workstation to two compatible data or graphic projectors or monitors with BNC inputs. The ADA 2/GLI 350 HV can also connect to system switchers for preview monitoring.

The ADA 2/GLI 350 HV is designed for applications that experience ground loop and interference problems, such as those found in convention centers, hotels, or other large buildings. These occur when separate grounds, carrying different loads, are "looped" together by sources and displays within an A/V system, generating 50- or 60-cycle noise and resulting in "hum" bars. "Hum" bars can be described as thick background bars rolling vertically through the displayed image. This problem is most common when a projector and its signal source or sources are powered from two different power-ground systems that are separated by significant distance.

One solution is to have all system components powered from the same ground, but this is not always a possible or cost-effective solution. The ADA 2/GLI 350 HV can save hours of troubleshooting and unnecessary rewiring by providing electrical isolation for systems where it is impractical to connect all equipment to the same ground — stopping the loop and virtually eliminating "hum" bars and common mode noise caused by improper grounding in video systems.

SPECIFICATIONS

VIDEO

Gain	Unity
Bandwidth	350 MHz (-3 dB), fully loaded
CMRR	>47 dB @ 60 Hz, >30 dB @ 10 MHz

VIDEO INPUT

Number / Signal type	1 RGBHV, RGBS, RGSB, RsGsBs, component video, S-video, composite video
Connectors	5 BNC female
Nominal level	0.7 Vp-p for RGB
Minimum / Maximum levels	Analog: 0.3 V to 1.5 Vp-p with no offset at unity gain
Impedance	75 ohms

Horizontal frequency	15 kHz to 135 kHz
Vertical frequency	30 Hz to 150 Hz
Return loss	<-39 dB @ 5 MHz

VIDEO OUTPUT

Number / Signal type	2 RGBHV, RGBS, RGSB, RsGsBs, component video, S-video, composite video
Connectors	2 x 5 BNC female
Nominal level	0.7 Vp-p for RGB
Minimum / Maximum levels	Analog: 0.3 V to 1.5 Vp-p
Impedance	75 ohms
Return loss	<-45 dB @ 5 MHz
DC offset	±10 mV maximum

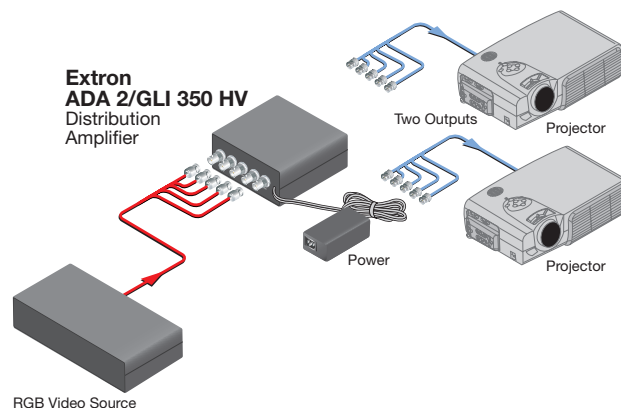
SYNC

Input type	RGBHV, RGBS, RGSB, RsGsBs
Output type	RGBHV, RGBS, RGSB, RsGsBs
Input level	RGBHV, RGBS (min./max.): 0.5 V to 5 Vp-p (analog/TTL) RGSB (nominal): 0.3 Vp-p (analog)
Output level	TTL: 5 Vp-p, unterminated
Input impedance	510 ohms
Output impedance	75 ohms
Max. propagation delay	H: 60 ns
Max. Rise / Fall time	4 ns
Polarity	Positive or negative

GENERAL

External power supply (attached)	100 VAC to 240 VAC, 50/60 Hz, external, autoswitchable; to 9 VDC, 1 A, regulated
Temperature / Humidity	Storage: -40 to +158 °F (-40 to +70 °C) / 10% to 90%, noncondensing Operating: +32 to +122 °F (0 to +50 °C) / 10% to 90%, noncondensing
Rack mount	No
Enclosure type	Metal
Enclosure dimensions	1.75" H x 4.6" W x 4.7" D (1U high, quarter rack wide) 4.4 cm H x 11.8 cm W x 11.9 cm D
Product weight	1.8 lbs (0.8 kg)
Shipping weight	4 lbs (2 kg)
Vibration	ISTA 1A in carton (International Safe Transit Association)
Listings	UL, CUL
Compliances	CE
MTBF	30,000 hours
Warranty	3 years parts and labor

NOTE: All nominal levels are at ±10%. Specifications are subject to change without notice.



MODEL

ADA 2/GLI 350 HV

VERSION DESCRIPTION

Two Output RGBHV with GLI

PART

60-230-02

USA
714.491.1500 / 800.633.9876
714.491.1517 FAX

Europe
+31.33.453.4040 / +800.3987.6673
+31.33.453.4050

Asia
+65.6383.4400 / +800.7339.8766

Japan
+81.3.3511.7655

www.extron.com
© 2007 Extron Electronics. All rights reserved.
The information contained herein may change without notice.

Download from www.Sematerials.com. All Manuals Search And Download.

Free Manuals Download Website

<http://myh66.com>

<http://usermanuals.us>

<http://www.somanuals.com>

<http://www.4manuals.cc>

<http://www.manual-lib.com>

<http://www.404manual.com>

<http://www.luxmanual.com>

<http://aubethermostatmanual.com>

Golf course search by state

<http://golfingnear.com>

Email search by domain

<http://emailbydomain.com>

Auto manuals search

<http://auto.somanuals.com>

TV manuals search

<http://tv.somanuals.com>