

Rack Mount

The GLI 1000 unit can be mounted to the rear of a flat 2U rack panel (also a 1U rack panel for the 2RCA and 2BNC models) or the front of a recessed rack panel (not shown) using four 6-32 x 3/8 screws.

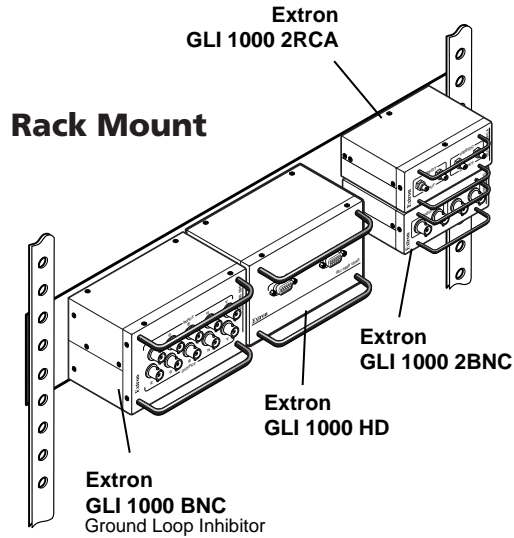
Projector Mount

Secure the optional mounting bracket to the GLI 1000 using the four #8 machine screws already installed in the side of the GLI. Secure the GLI to the projector mount by inserting the mounting bolt through the slotted hole in the bracket. (See figure on reverse.)

Surface Mount

Secure both optional mounting brackets to the GLI 1000 using the eight #8 machine screws already installed in the sides of the GLI. Drill four 3/32" pilot holes, 1/4" deep in the mounting surface. Secure the GLI to the surface with four #8 wood screws. (See figure on reverse.)

GLI 1000 Installation Instructions



Extron Electronics, USA
1230 South Lewis Street
Anaheim, CA 92805
USA
714.491.1500
Fax 714.491.1517

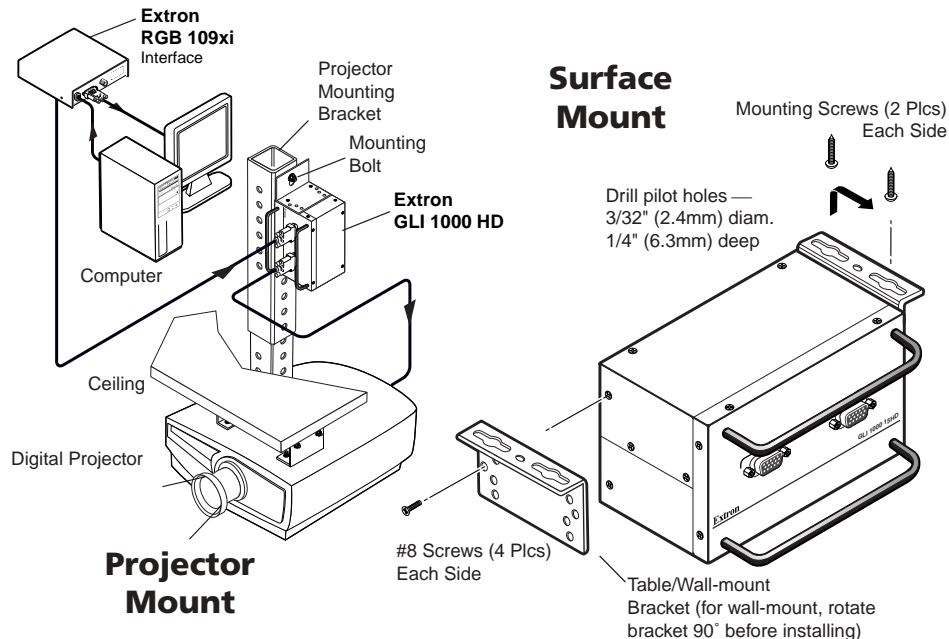
Extron Electronics, Europe
Beeldschermweg 6C
3821 AH Amersfoort
The Netherlands
+31.33.453.4040
Fax +31.33.453.4050

Extron Electronics, Asia
135 Joo Seng Road, #04-01
DM Industrial Building
Singapore 368363
+65.6383.4400
Fax +65.6383.4664

Extron Electronics, Japan
Daisan DMJ Building 6F
3-9-1 Kudan Minami
Chiyoda-ku, Tokyo 102-0074 Japan
+81.3.3511.7655
Fax +81.3.3511.7656

68-662-01
Rev. A
Printed in the USA

GLI 1000 Installation Instructions (Cont'd)



Free Manuals Download Website

<http://myh66.com>

<http://usermanuals.us>

<http://www.somanuals.com>

<http://www.4manuals.cc>

<http://www.manual-lib.com>

<http://www.404manual.com>

<http://www.luxmanual.com>

<http://aubethermostatmanual.com>

Golf course search by state

<http://golfingnear.com>

Email search by domain

<http://emailbydomain.com>

Auto manuals search

<http://auto.somanuals.com>

TV manuals search

<http://tv.somanuals.com>