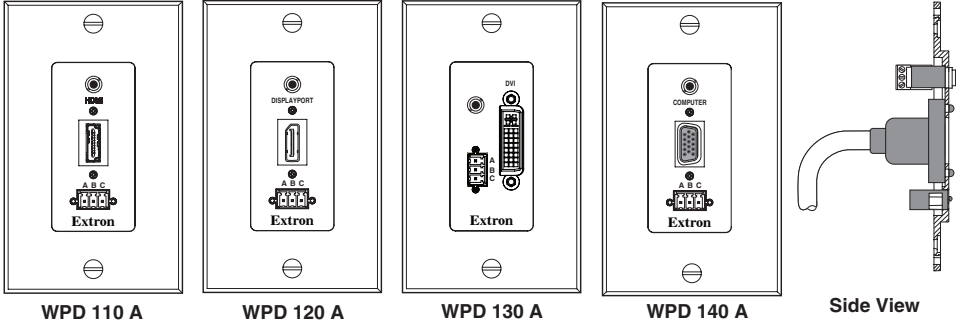


WPD Series Wallplates • Installation Guide

The Extron WPD Series (WPD 110 A, WPD 120 A, WPD 130 A and WPD 140 A) are single gang pass-through wallplates with HDMI, DisplayPort, DVI or VGA front connectors and pigtail mounted rear connectors. All models can be installed in single gang junction boxes, and include a Decora®-style trim plate. The models are as follows:



- **WPD 110 A** — HDMI, stereo audio, and control
 - HDMI female to HDMI female connector on a pigtail
 - 3.5 mm stereo audio jack with 3-pole captive screw connector
 - 3-pole captive screw connector (for pass-through signals such as IR and RS-232)
- **WPD 120 A** — DisplayPort, stereo audio, and control
 - DisplayPort female to DisplayPort female connector on a pigtail
 - 3.5 mm stereo audio jack with 3-pole captive screw connector
 - 3-pole captive screw connector (for pass-through signals such as IR and RS-232)
- **WPD 130 A** — DVI, stereo audio, and control
 - DVI-I female to DVI-I female connector on a pigtail
 - 3.5 mm stereo audio jack with 3-pole captive screw connector
 - 3-pole captive screw connector (for pass-through signals such as IR and RS-232)
- **WPD 140 A** — VGA, stereo audio, and control
 - 15-pin VGA female connector on a pigtail
 - 3.5 mm stereo audio jack with 3-pole captive screw connector
 - 3-pole captive screw connector (for pass-through signals such as IR and RS-232)

Install the wallplate directly into the wall using the supplied mud ring or a UL-listed 1-gang junction box (not supplied). Follow the steps in the “Installation” section on page 2.

Planning — Check the Proposed Installation Location

Before starting the installation it is important that you do the following:

CAUTION: Risk of Personal Injury. Failure to check the items listed below may result in personal injury.

ATTENTION: Failure to check the items listed below may result in property damage.

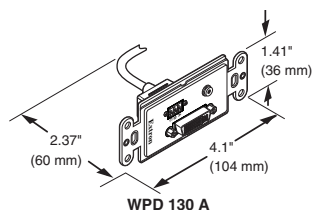
- Ensure there are no utility cables or pipes at the intended location that might be damaged or cause injury when you are installing the device.
- Check that the installation meets the local and state regulatory requirements, including building, electrical, and safety codes, and UL and ADA accessibility requirements.

WPD Series Wallplates • Installation Guide (Continued)

During installation ensure the space behind the device is sufficient for the bend radius of the pigtail.

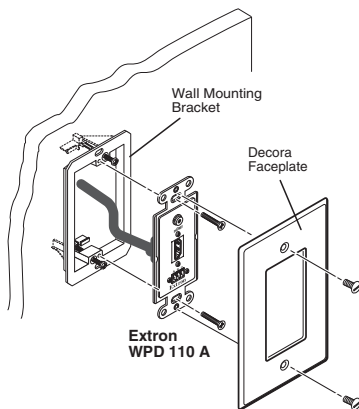
The recommended minimum bend radii are as follows:

- WPD 110A = 2.0 inches
- WPD 120A, WPD 130A and WPD 140A = 2.4 inches (see image at right)



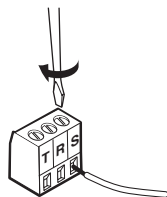
Installation

1. Using the supplied mud ring or a junction box (not included) as a guide, mark and cut out the appropriate material within the marked area.
2. Either:
 - Insert the mud ring into the opening, rotate the locking arms, and secure it with the supplied screws (as shown at right), or
 - Insert the junction box and secure it with nails or screws.
3. Run the cables (video, audio, IR or RS-232 control) from the output or input device locations (as applicable), behind the wall, and to the WPD location, then thread the cables through the mud ring or junction box.
4. **Video** — Insert the HDMI, DisplayPort, DVI, or VGA cable connector into the connector on the pigtail.



NOTE: If using a DVI display with the WPD 110A, connect a HDMI-DVIDF adapter (part number 26-617-01) and a separate audio cable.

5. **Audio** — Secure the output audio cable into the 3-pole captive screw connector. Wire as described below (see the figure at right). This may be easier to do before attaching the device to the mud ring.
 - For balanced mono audio:
tip (T) = +, ring (R) = -, sleeve (S) = ground
 - For unbalanced stereo audio:
tip (T) = left channel, ring (R) = right channel, sleeve (S) = ground
6. **Control** — **3-pole pass-through connector** — Connect applicable cables to the 3-pole captive screw connector on the rear of the WPD for pass-through signals, such as IR or RS-232. When connecting the cables, ensure the polarity will be the same as the proposed input device to avoid crossover and grounding issues.
7. Mount the cabled device into either the mud ring or the junction box and attach the supplied Decora faceplate.
8. Connect the appropriate input or output devices to the front panel connectors.
9. Test the system and resolve any cabling or signal issues.



Extron Headquarters +1.800.633.9876 (Inside USA/Canada Only)	Extron Asia +65.6383.4400	Extron China +86.21.3760.1568)	Extron Korea +82.2.3444.1571
Extron Europe +31.33.453.4040	Extron Japan +81.3.3511.7655	Extron Middle East +971.4.2991800	Extron India +91.80.3055.3777

Free Manuals Download Website

<http://myh66.com>

<http://usermanuals.us>

<http://www.somanuals.com>

<http://www.4manuals.cc>

<http://www.manual-lib.com>

<http://www.404manual.com>

<http://www.luxmanual.com>

<http://aubethermostatmanual.com>

Golf course search by state

<http://golfingnear.com>

Email search by domain

<http://emailbydomain.com>

Auto manuals search

<http://auto.somanuals.com>

TV manuals search

<http://tv.somanuals.com>