

Maximum level

- ASA 111, 121, 131 +24 dBu (12.3 V)
- ASA 141 +15 dBu (5.6 V)

NOTE 0 dBu = 0.775 Vrms, 0 dBV = 1 Vrms, 0 dBV ≈ 2 dBu

Audio output

Number/signal type

- ASA 111, ASA 121 1 unbalanced mono
- ASA 131 1 balanced mono
- ASA 141 1 transformer balanced/unbalanced mono

Connectors (1) 3.5 mm direct insertion captive screw connector, 3 pole

Impedance (with 50 ohm input impedance)

- ASA 101 75 ohms unbalanced, 150 ohms balanced
- ASA 111, 121 1k ohm unbalanced
- ASA 131 2k ohms balanced
- ASA 141 3.3k ohms balanced (typical)

Nominal level

- ASA 111, 121 -10 dBV (316 mV)
- ASA 131 +4 dBu (1.23 V)
- ASA 141 +15 dBu (5.6 V)

Maximum level

- ASA 111, 121, 131 +24 dBu (12.3 V)
- ASA 141 +15 dBu (5.6 V)

General

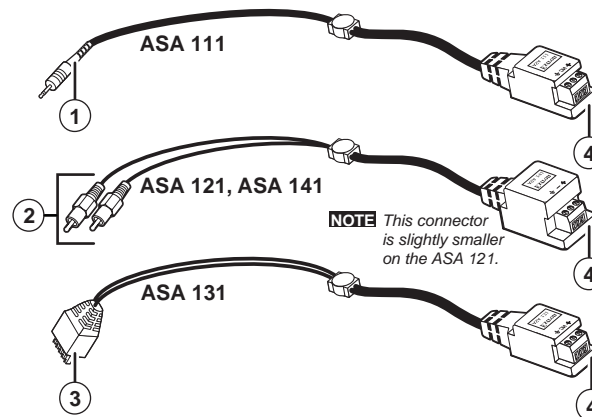
- Power Not powered
- Temperature/humidity Storage: -40 to +158 °F (-40 to +70 °C) / 10% to 90%, noncondensing
Operating: +32 to +122 °F (0 to +50 °C) / 10% to 90%, noncondensing
- Rack mount Can be attached to any flat surface with supplied Velcro®
- Enclosure type Molded plastic
- Enclosure dimensions
ASA 111, 121, 131 0.7" H x 0.7" W x 1.3" D
1.8 cm H x 1.7 cm W x 3.4 cm D
(Depth excludes the 24 inch long pigtail for ASA 121, and the 24 inch long single cable for the ASA 111 and ASA 131.)
ASA 141 1.1" H x 1.1" W x 1.6" D
2.8 cm H x 2.8 cm W x 4.0 cm D
(Depth excludes the 24 inch long pigtail)
- Product weight 0.2 lbs (0.1 kg)
- Shipping weight 1 lb (1 kg)
- Vibration ISTA 1A in carton (International Safe Transit Association)
- Listings UL, CUL
- Compliances CE, FCC Class A, VCCI, AS/NZS, ICES
- MTBF 30,000 hours
- Warranty 3 years parts and labor

NOTE All nominal levels are at ±10%.

NOTE Specifications are subject to change without notice.

**ASA Audio Summing Adapters
(ASA 111, ASA 121, ASA 131, ASA 141)**

The Extron ASA audio summing adapters sum left and right stereo audio signals into mono signals for distributed sound and other applications that require mono sound. The ASA 111 and ASA 121 output an unbalanced audio signal only. The ASA 131 outputs a balanced audio signal. The ASA 141 outputs a balanced or unbalanced audio signal.



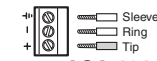
Model	Input connector	Input signal	Output connector	Output signal
ASA 111	3.5 mm mini plug (1)	Unbalanced stereo	3-pin captive screw (4a) (2 pins are used)	Unbalanced mono (only)
ASA 121	2 RCAs (2)	Unbalanced stereo	3-pin captive screw (4a) (2 pins are used)	Unbalanced mono (only)
ASA 131	5-pin captive screw (3)	Balanced stereo	3-pin captive screw (4b)	Balanced mono (only)
ASA 141	2 RCAs (2)	Unbalanced stereo	3-pin captive screw (4a) (4b)	Balanced/unbalanced mono



(2) ASA 131 Balanced Input



(4a) ASA 111, ASA 121, ASA 141 Unbalanced Output



(4b) ASA 131, ASA 141 Balanced Output

NOTE ASA 141 unbalanced output — Do not short the negative (-) terminal to ground (Gnd).

NOTE The ASA 131 supports the wiring scheme used by Extron products that output audio on 5-pole captive screw connectors.



Extron Electronics, USA
1230 South Lewis Street
Anaheim, CA 92805
USA
714.491.1500
Fax 714.491.1517
www.extron.com

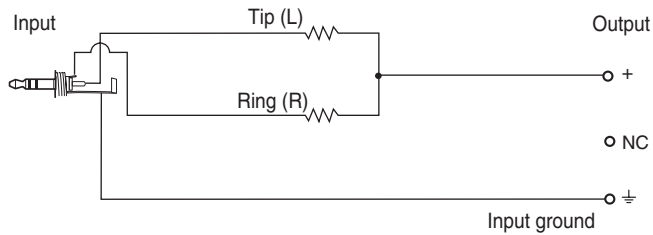
Extron Electronics, Europe
Beeldschermweg 6C
3821 AH Amersfoort
The Netherlands
+31.33.453.4040
Fax +31.33.453.4050

Extron Electronics, Asia
135 Joo Seng Road, #04-01
PM Industrial Building
Singapore 368363
+65.6383.4400
Fax +65.6383.4664

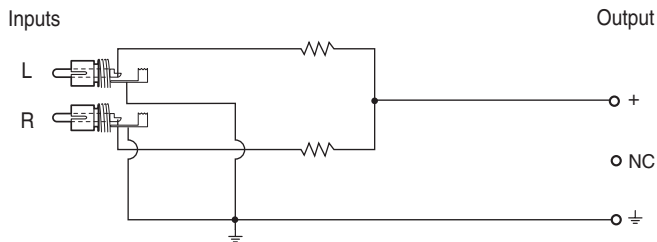
Extron Electronics, Japan
Kyodo Building
16 Ichibancho
Chiyoda-ku, Tokyo 102-0082 Japan
+81.3.3511.7655
Fax +81.3.3511.7656

Drawings

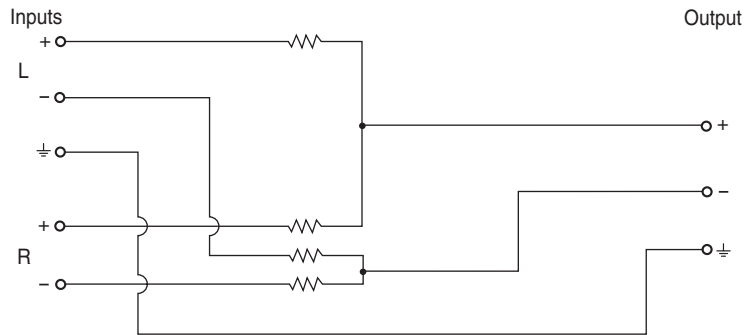
ASA 111 (part #60-738-01)



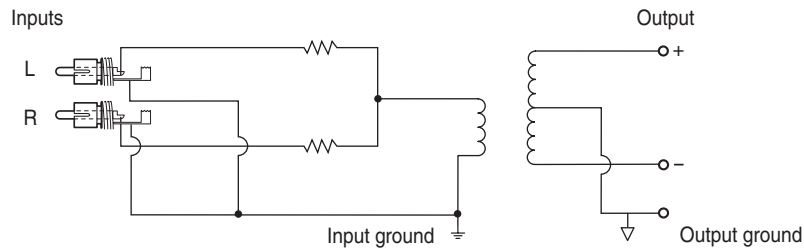
ASA 121 (part #60-739-01)



ASA 131 (part #60-740-01)



ASA 141 (part #60-804-01)



Specifications

Audio

Gain

- ASA 111, ASA 121 See the table below. Tested with an unbalanced output and a 20k ohm load.
 ASA 131 See the table below. Tested with a 20k ohm output load.

Input Channel		Output
Left	Right	
signal	signal	-1 dB
signal	—*	-7 dB
—*	signal	-7 dB

* Tested with this input remaining connected.

- ASA 141 See the table below. Tested with an unbalanced output and a 20k ohm load. Gain numbers are ± 2 dB.

Input Channel		Output Wiring	
Left	Right	Unbalanced	Balanced
0 dB	0 dB	+3 dB	-3 dB
0 dB	open	+3 dB	-3 dB
0 dB	50 ohms	-3 dB	-9 dB

Frequency response

- ASA 111, 121, 131 20 Hz to 20 kHz, ± 0.05 dB
 ASA 141 with -10 dBV, +4 dBu, or +15 dBV
 20 Hz to 20 kHz, -3 dB to +1 dB

THD + Noise

- ASA 111, 121, 131 0.03%, 20 Hz to 20 kHz at nominal level
 ASA 141
 -10 dBV input 0.05%, 1 kHz, 1% from 40 Hz to 20 kHz
 +4 dBu input 0.05%, 1 kHz, 1% from 50 Hz to 20 kHz
 +15 dBV input 0.05%, 1 kHz, 1% from 80 Hz to 20 kHz

- S/N 130 dB at maximum output

Audio input

Number/signal type

- ASA 111, 121, 141 1 stereo, unbalanced
 ASA 131 1 stereo, balanced

Connectors

- ASA 111 (1) 3.5 mm male stereo mini jack (tip-ring-sleeve)
 ASA 121, 141 1 pair of male RCA (tip-ring)
 ASA 131 (1) 3.5 mm captive screw connector, 5-pole

Impedance

- ASA 111, ASA 121 22k ohms (one input terminated);
 4k ohms (both inputs terminated)
 ASA 131 24k ohms (one input terminated);
 7k ohms (both inputs terminated)
 ASA 141 5.4k ohms (both inputs terminated)

Nominal level

- ASA 111, 121 -10 dBV (316 mVrms)
 ASA 131 +4 dBu (1.23 Vrms)
 ASA 141 +10 dBV (316 mVrms) or +4 dBu (1.23 Vrms)

Free Manuals Download Website

<http://myh66.com>

<http://usermanuals.us>

<http://www.somanuals.com>

<http://www.4manuals.cc>

<http://www.manual-lib.com>

<http://www.404manual.com>

<http://www.luxmanual.com>

<http://aubethermostatmanual.com>

Golf course search by state

<http://golfingnear.com>

Email search by domain

<http://emailbydomain.com>

Auto manuals search

<http://auto.somanuals.com>

TV manuals search

<http://tv.somanuals.com>