

## MBD 123 1U Full Rack Width Mounting Kit

**NOTE** Only 1U full rack width products can be mounted using this kit (part number 70-485-01).

This kit allows the product to be mounted to the vertical rack supports and face either the front or the rear of the rack. Refer to the drawing on the opposite side of this card.

### Rack Mounting Instructions

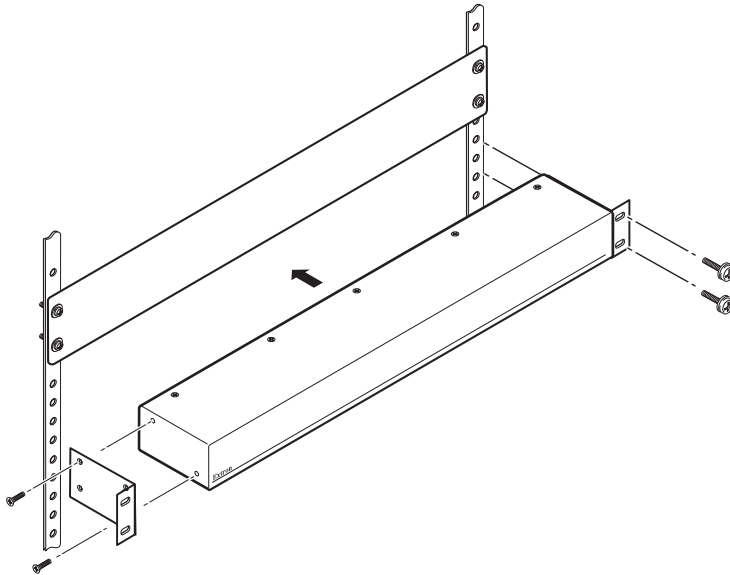
1. Remove any installed rubber feet from the unit.
2. Remove two screws from one side of the unit. Retain the screws for possible later reassembly.
3. Attach one bracket to the side of the unit using the longer screws included in the kit.
4. Repeat steps 2 and 3 on the other side of the unit.
5. Mount the unit to the rack using the four included rack mounting screws.

### Mounting Kit Contents

- 2 mounting brackets (left and right)
- 4 side bracket mounting screws
- 4 rack mounting screws

Extron USA - West Headquarters +900.633.9876 Inside USA / Canada Only +1.714.491.1500 +1.714.491.1517 FAX	Extron USA - East +800.633.9876 Inside USA / Canada Only +1.919.863.1794 +1.919.863.1797 FAX	Extron Europe +800.3987.6673 Inside Europe Only +31.33.453.4040 +31.33.453.4050 FAX	Extron Asia +800.7339.8766 Inside Asia Only +65.6383.4400 +65.6383.4664 FAX	Extron Japan +81.3.3511.7655 +81.3.3511.7656 FAX	Extron China +400.883.1568 Inside China Only +86.21.3760.1568 +86.21.3760.1566 FAX	Extron Middle East +971.4.2991800 +971.4.2991880 FAX 68-1080-01, Rev. B 01 10
--	--	---	---	--	--	---

### Installation Example



## Free Manuals Download Website

<http://myh66.com>

<http://usermanuals.us>

<http://www.somanuals.com>

<http://www.4manuals.cc>

<http://www.manual-lib.com>

<http://www.404manual.com>

<http://www.luxmanual.com>

<http://aubethermostatmanual.com>

Golf course search by state

<http://golfingnear.com>

Email search by domain

<http://emailbydomain.com>

Auto manuals search

<http://auto.somanuals.com>

TV manuals search

<http://tv.somanuals.com>