

# BB 710M • Installation Guide

**IMPORTANT:**  
Refer to [www.extron.com](http://www.extron.com) for the complete TLP 710 series user manual and installation instructions before connecting the product to the power source.

## Overview

The Extron BB 710M back box is used to mount an Extron TLP 710MV TouchLink™ panel in a wall. This Installation Guide provides instructions for an experienced installer to retrofit the box in existing drywall or mount the back box in a new installation. For complete instructions about installing and calibrating the TouchLink panel, see the *TLP 710MV and TLP 710TV User Guide*, which are available on the Extron web site ([www.extron.com](http://www.extron.com)).

## Retrofit an Existing Installation (with the Drywall in Place)

1. Separate and remove the endplates (top and bottom) from the U-plate (sides and back).
2. Use the back face of the U-plate to mark the position where the hole will be cut. Use a level to ensure the U-plate is level.

**NOTE:** The hole is 7.7 inches (19.5 cm) wide x 6 inches (15.1 cm) high.

3. Using a drywall saw, carefully cut a hole where the touchpanel will be installed. Cut **on** the lines that you marked in step 2.
4. Run the cable conduit through the wall. The conduit can be attached to any of the available knock-out holes in the top, bottom, or either side. Leave some slack to connect the conduit to the back box and the cables to the touchpanel.
5. Run cables to the installation site.
6. Clear the cables and conduits from the space behind the hole.
7. If required, secure a conduit to the U-plate and insert the U-plate into the hole (see figure 1).

**NOTE:** The U-plate tabs sit on the outer face of the drywall.

8. Pull back the cables that were cleared out of the way in step 5.
9. If required, secure one or more conduits to the knock-out holes in the endplate (see figure 2). Break off the lip on the leading edge of the endplate (see figure 3) to make it easier to maneuver the endplate with a conduit attached.
10. Slide the endplates into the gap between the back of the U-plate and the top flanges on the side of the U-plate (see the inset in figure 2). The endplate must pass the drywall so that the trailing edge can be pushed in behind it.
11. Secure the endplate to the U-plate, using the four provided screws. Insert the provided screw from inside the BB 710M, through the slot in the endplate and into the threaded hole in the top of the U-plate (see figure 3).

The endplates (behind) and the tabs of the U-plate (in front) clamp the drywall, holding the BB 710M securely in place.

12. Finish installing the TouchLink panel as shown in figure 4 and described in "Mounting the Touchpanel" on the next page.

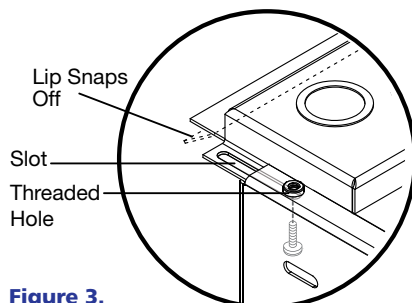


Figure 3.

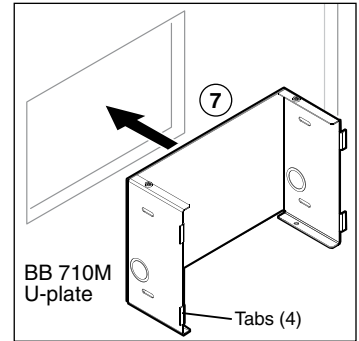


Figure 1.

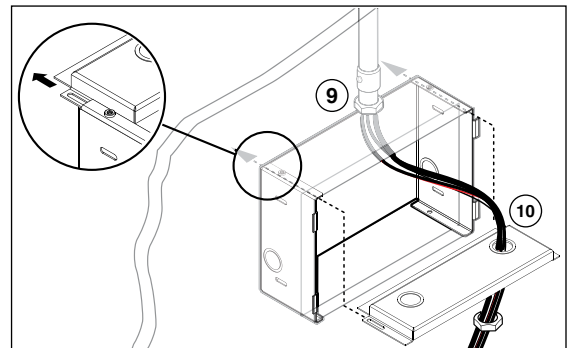


Figure 2.

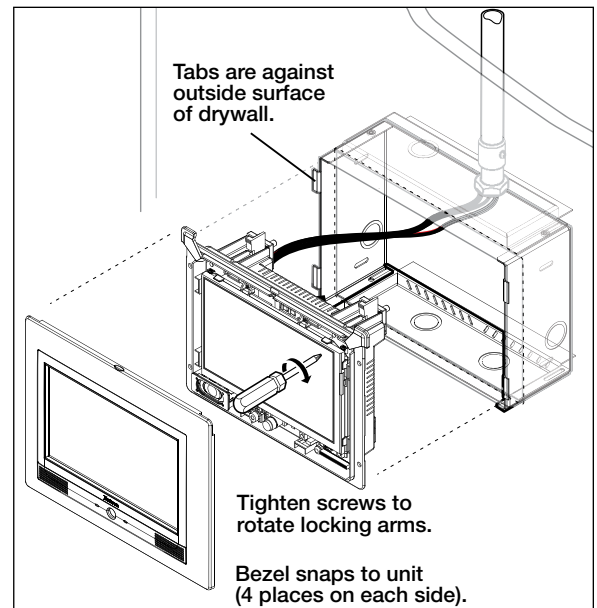


Figure 4.

# BB 710M • Installation Guide (Cont'd)

## New Construction Installation

1. Secure the endplates to the U-plate, using the four provided screws.
2. Before the drywall has been secured to the studs, place the wall box in a suitable place so that the tabs on the sides of the box are flat against a vertical stud.
3. Secure the wall box to the stud (metal or wooden) using two nails or screws.
4. Run the cable conduits to the box and connect them to one of the available knock-out holes. Leave enough cable to provide slack for installing the TouchLink panel.
5. Measure the position of the back box, and mark and cut a hole in the drywall where the box is placed.

**NOTE:** The hole is 7.7 inches (19.5 cm) wide x 6 inches (15.1 cm) high.

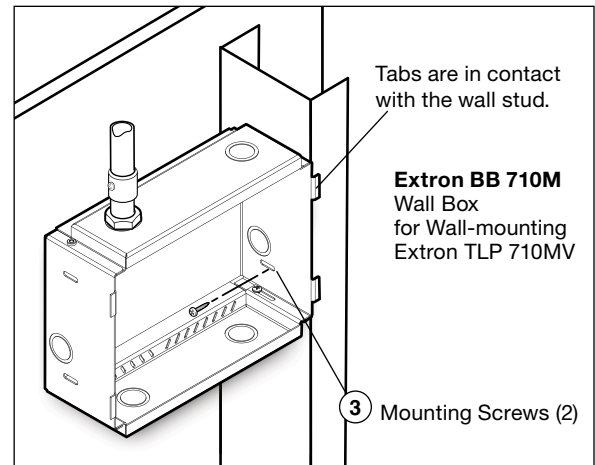


Figure 5.

6. Secure the drywall to the studs.

**NOTE:** The tabs of the wall box sit on the stud against the inner face of the drywall.

7. If required, paint the drywall. Insert the cardboard cover (provided) into the back box to avoid getting paint on it.

## Mounting the Touchpanel

For complete instructions about installing and calibrating the TouchLink panel, see the *TLP 710MV and TLP 710TV User Guide*, available on the Extron website ([www.extron.com](http://www.extron.com)).

1. Connect the cables to the back of the TouchLink panel (see the user guide). Feed excess cable back into the conduit.
2. Test the connections and configure the TouchLink panel (see the user guide).
3. Fold the locking arms into their recesses on the side of the touchpanel and slide the unit into the back box.
4. Tighten the screws on the front of the unit so that the locking arms rotate into place behind the top and bottom plates of the back box and hold the unit in place (see figures 4 or 6).
5. Snap the faceplate into position (see figures 4 or 6).

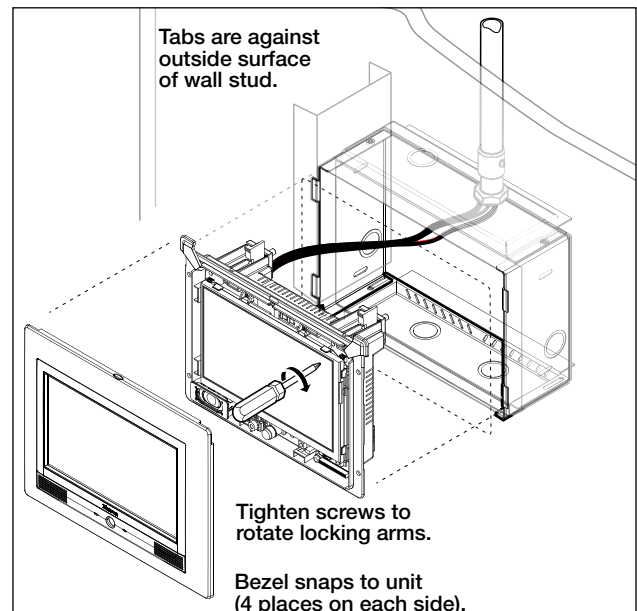


Figure 6.

<b>Extron Headquarters</b> +1.800.633.9876 (Inside USA/Canada Only) Extron USA - West +1.714.491.1500 +1.714.491.1517 FAX	<b>Extron USA - East</b> +1.919.850.1000 +1.919.850.1001 FAX	<b>Extron Europe</b> +800.3987.6673 (Inside Europe Only) +31.33.453.4040 +31.33.453.4050 FAX	<b>Extron Asia</b> +800.7339.8766 (Inside Asia Only) +65.6383.4400 +65.6383.4664 FAX	<b>Extron Japan</b> +81.3.3511.7655 +81.3.3511.7656 FAX	<b>Extron China</b> +4000.398766 (Inside China Only) +86.21.3760.1568 +86.21.3760.1566 FAX	<b>Extron Middle East</b> +971.4.2991800 +971.4.2991880 FAX	<b>Extron Korea</b> +82.2.3444.1571 +82.2.3444.1575 FAX	<b>Extron India</b> 1800.3070.3777 (Inside India Only) +91.80.3055.3777 +91.80.3055.3737 FAX
--	--	---	---	---	---	---	---	---

## Free Manuals Download Website

<http://myh66.com>

<http://usermanuals.us>

<http://www.somanuals.com>

<http://www.4manuals.cc>

<http://www.manual-lib.com>

<http://www.404manual.com>

<http://www.luxmanual.com>

<http://aubethermostatmanual.com>

Golf course search by state

<http://golfingnear.com>

Email search by domain

<http://emailbydomain.com>

Auto manuals search

<http://auto.somanuals.com>

TV manuals search

<http://tv.somanuals.com>