

VTT001 and VTR001 • Setup Guide

This guide provides basic instructions for an experienced installer to set up and operate the VTT001 and VTR001.

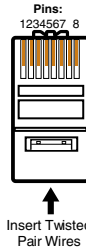
IMPORTANT:
Refer to www.extron.com for the complete user guide and installation instructions before connecting the product to the power source.

Step 1 — Powering down

Power off and disconnect all devices from the power source.

Step 2 — Connecting the TP cable

Connect the RJ-45 connectors of the transmitter and receiver to either end of the TP cable. Terminate the cables using the same standard as shown to the right.



Pin	T568A Wire color	T568B Wire color
1	White-green	White-orange
2	Green	Orange
3	White-orange	White-green
4	Blue	Blue
5	White-blue	White-blue
6	Orange	Green
7	White-brown	White-brown
8	Brown	Brown

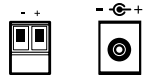
Step 3 — Connecting input/output devices

Using the 15-pin front panel HD connectors, attach RGBHV or RGBS input to the transmitter and a display output to the receiver (see the example application diagram below).

NOTE: If you are using Enhanced Skew-Free™ A/V cable, use the TIA/EIA T568A standard only.

Step 4 — Connecting the power supply

Connect the external power supply to the power input of the transmitter, or the receiver, or to both, then plug the power supply into the AC power source and power on the transmitter/receiver modules and the input/output devices.



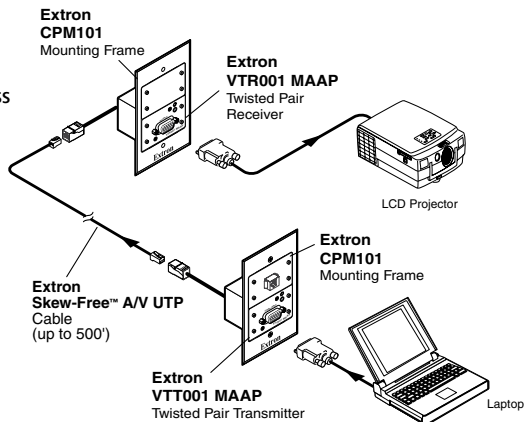
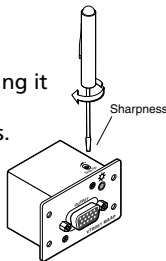
NOTES:

- Both transmitter and receiver have remote power capability.
- For transmission distances up to 300 feet, the power is required at either the transmitter or the receiver. Greater distances require power to be applied locally to both the transmitter and the receiver.

Step 5 — Adjusting sharpness

For the VTR001 Series, set the sharpness control located on top of the receiver. See the illustration below.

Turning the control clockwise increases sharpness and turning it counterclockwise decreases sharpness.



68-760-50 Rev. B
03 12

Extron USA Headquarters
+1.800.633.9876 (Inside USA/Canada Only)

Extron USA - West:
Extron USA - East:

+1.714.491.1500
+1.919.863.1794

+1.714.491.1517 FAX
+1.919.863.1797 FAX

Free Manuals Download Website

<http://myh66.com>

<http://usermanuals.us>

<http://www.somanuals.com>

<http://www.4manuals.cc>

<http://www.manual-lib.com>

<http://www.404manual.com>

<http://www.luxmanual.com>

<http://aubethermostatmanual.com>

Golf course search by state

<http://golfingnear.com>

Email search by domain

<http://emailbydomain.com>

Auto manuals search

<http://auto.somanuals.com>

TV manuals search

<http://tv.somanuals.com>