



SUPER EMOTIA™ II & SUPER EMOTIA™ II GX

SUPERVGA, XGA, SGI AND HIGH RESOLUTION MAC SCAN CONVERTERS



SUPER EMOTIA II GX



SUPER EMOTIA II

APPLICATION

Super Emotia™ II

Extron's Super Emotia II is a high resolution, real-time scan converter that converts VGA, SuperVGA, XGA, SGI and Mac/Quadra computer signals to standard NTSC or PAL video. The Super Emotia II is multiscanning, allowing it to automatically recognize and convert all incoming resolutions up to 1024 x 768 (up to 50 kHz interlaced and non-interlaced), into a composite video, S-Video and RGBS output.

The Super Emotia II is an affordable, professional quality scan converter with high performance features. Using new digital technology, the Super Emotia II provides exceptional video output quality with minimal loss of signal integrity. The Super Emotia II includes a built-in anti-flicker filter that helps eliminate unwanted single pixel line flicker associated with scan conversion.

Super Emotia™ II GX

The Super Emotia II GX is functionally the same as the Super Emotia II, but provides genlock capability and component video output.

FEATURES

Super Emotia II

- Multiscans up to 1024 x 768 (up to 50kHz)
- Professional quality video output
- 16 memory settings that store size and position settings
- 200% zoom with pan capability
- Freeze frame
- Horizontal/vertical sizing & positioning
- NTSC/PAL and S-VHS (S-Video) outputs
- Overscan/underscan switch
- Anti-flicker reductions switch to reduce traces of flicker
- Metal enclosure

Super Emotia II GX

- Genlock
- Professional component video output
- Professional quality video output
- Multiscans
- Memory settings
- Pan and zoom capability
- Freeze frame
- Horizontal/vertical sizing & positioning
- Overscan/underscan switch
- Anti-flicker
- Metal enclosure
- BNC's with horizontal and subcarrier phase adjustments

INCLUDED ACCESSORIES

- | | |
|-----------------------------|-------------------------------------|
| VGA input cable, 6' (1.8 m) | MAC/VGA return cable, 1' (.30 m) |
| S-Video cable, 6' (1.8 m) | MAC HV/VGA return cable, 1' (.30 m) |
| MAC/VGA adapter | BNC/M-RCA/F adapter |
| RCA cable, 6' (1.8 m) | |

SPECIFICATIONS

Video

Computer input	
Connector	VGA - 15 pin HD, male
Resolution	Multiscanning up to 1024 x 768, interlaced/non-interlaced
Frequency	
Horizontal	Up to 50 kHz
Vertical	Up to 130 kHz
Video output	
NTSC/PAL	Single female BNC (with RCA adapter included)
S-VHS	4-pin din (S-Video) female
RGBS	4-BNC female (chassis mount)
Component	Super Emotia II GX only; female BNC

General

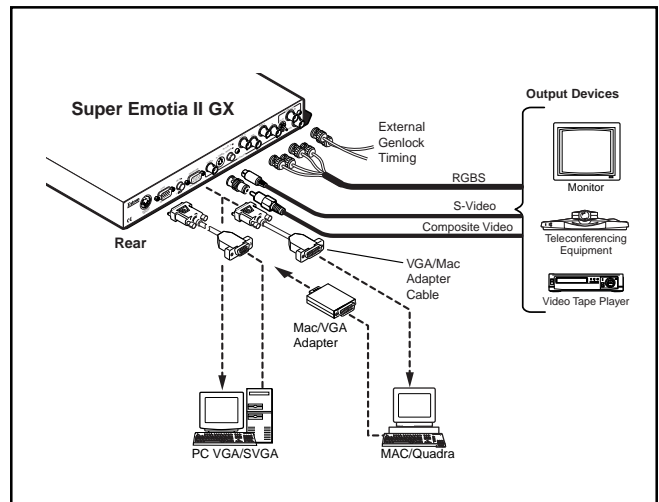
Power supply	100-240 VAC, 50/60 Hz; External switch mode
Approvals	CE, UL, CUL listed
Dimensions	1.5"H x 10"W x 11.5"D 3.8 H x 25 W x 29 D cm

Temperature

Storage	-40° C to +70° C,
Operating	0° C to 50° C
Humidity	10% to 90%
Vibration	NSTA 1A in carton
Shipping weight	8 lbs. (3.6 kg)
Warranty	Two years, parts & labor
Enclosure	Metal

PART NUMBERS

		List price
Super Emotia II	60-158-01	\$1695.00
Super Emotia II GX	60-159-01	\$2595.00



Free Manuals Download Website

<http://myh66.com>

<http://usermanuals.us>

<http://www.somanuals.com>

<http://www.4manuals.cc>

<http://www.manual-lib.com>

<http://www.404manual.com>

<http://www.luxmanual.com>

<http://aubethermostatmanual.com>

Golf course search by state

<http://golfingnear.com>

Email search by domain

<http://emailbydomain.com>

Auto manuals search

<http://auto.somanuals.com>

TV manuals search

<http://tv.somanuals.com>