

MBU 123 Under Desk Mounting Kit and PMK 100 Mini Pole Mount Kit Installation Guide

Furniture mount or projector mount the quarter-rack width product using the optional mounting kit (part number 70-212-01, furniture; or 70-217-01, projector) as follows:

1. Attach the mounting brackets to the product with the machine screws provided (see the figure on the other side of this card).
2. If feet were previously installed on the bottom of the unit, remove them.

For furniture mounting —

3. Hold the unit with the attached brackets against the underside of the table or other furniture. Mark the location of the screw holes of the bracket on the mounting surface.
4. Drill 3/32-inch (2 mm) diameter pilot holes, 1/4 inch (6.3 mm) deep in the mounting surface at the marked screw locations.
5. Insert #8 wood screws into the four pilot holes. Tighten each screw into the mounting surface until just less than 1/4 inch of the screw head protrudes.
6. Align the mounting screws with the slots in the brackets and place the unit against the surface, with the screws through the bracket slots.
7. Slide the unit slightly forward or back, then tighten all four screws to secure the unit in place.

Extron USA - West - Headquarters +800.633.9876 Inside USA/Canada Only +1.714.491.1500 +1.714.491.1517 FAX	Extron USA - East +800.633.9876 Inside USA/Canada Only +1.919.863.1794 +1.919.863.1797 FAX	Extron Europe +800.3987.6673 Inside Europe Only +31.33.453.4040 +31.33.453.4050 FAX	Extron Asia +800.7339.8766 Inside Asia Only +65.6383.4400 +65.6383.4664 FAX	Extron Japan +81.3.3511.7655 +81.3.3511.7656 FAX	Extron China +400.883.1568 Inside China Only +86.21.3760.1568 +86.21.3760.1566 FAX	Extron Middle East +971.4.2991800 +971.4.2991880 FAX
---	---	--	--	---	---	---

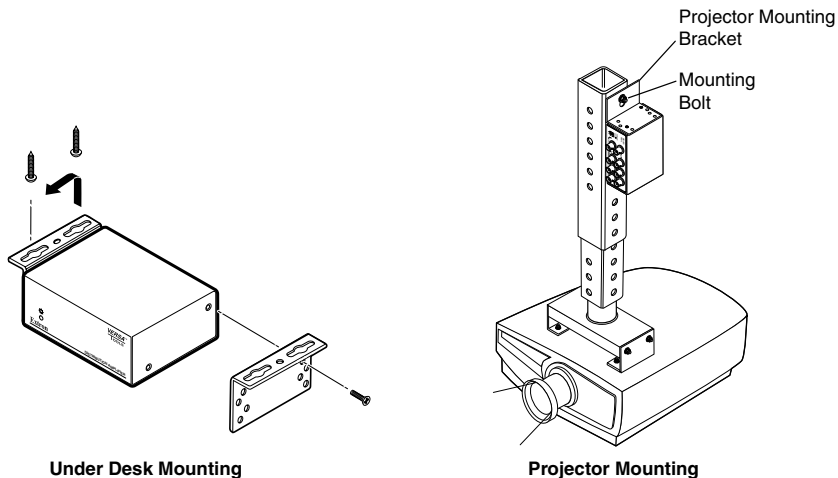
68-705-01
Rev. B
05 11

© 2011 Extron Electronics. All rights reserved. www.extron.com

MBU 123 Under Desk Mounting Kit and PMK 100 Mini Pole Mount Kit Installation Guide, Continued

For projector mounting —

1. Using a locally-supplied nut and bolt, or other appropriate hardware, secure the product to a projector mount or other surface by inserting the mounting hardware through the slotted hole in the bracket.



Free Manuals Download Website

<http://myh66.com>

<http://usermanuals.us>

<http://www.somanuals.com>

<http://www.4manuals.cc>

<http://www.manual-lib.com>

<http://www.404manual.com>

<http://www.luxmanual.com>

<http://aubethermostatmanual.com>

Golf course search by state

<http://golfingnear.com>

Email search by domain

<http://emailbydomain.com>

Auto manuals search

<http://auto.somanuals.com>

TV manuals search

<http://tv.somanuals.com>