

- Orient the chip with the socket, with the notch toward the front of the switcher.

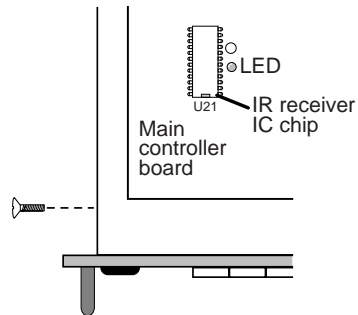
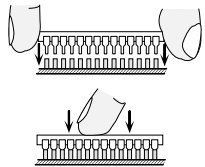


Figure 3 — U21 IR receiver chip socket

- Carefully align each pin on the chip to its corresponding slot on the socket.



- With even pressure, press the chip into the socket. If you encounter difficulty pressing the chip into the socket, check to see if any pins are bent. If so, carefully remove the chip, straighten the pins, and try again.
- Apply power to the switcher by connecting the AC power cord.
- Check the IR 301's operation by pointing the remote control toward the IR Remote window on the front panel of the switcher. Press the Display Power, Display Mute, RGB Mute, and Audio Mute buttons on the remote control and verify the corresponding buttons on the front panel lights.
- After checking the operation of the switcher, put the top cover on the switcher and replace the six screws removed in step 4.
- Reconnect all input and output cables and replace the switcher in the rack if desired.

User's Guide



IR 301 Infrared Remote Control

Installation and Operation

About this User's Guide

This guide covers the IR 301 infrared (IR) remote control system for the System 8 Plus and System 10 Plus system switchers.

The IR 301 remote control system consists of:

- An IR 301 hand-held remote control
- An IR receiver IC chip that must be installed in the system switcher

NOTE *The remote control can only operate a switcher that is configured as master, with no switchers slaved to it. Refer to the associated switcher manual to configure the switcher.*

Aim the hand-held unit at the IR detector on the front of the system switcher and operate the remote. The maximum operating range of the IR link is 30 feet. The hand-held remote operates at a carrier frequency of 38 kHz.

Operation

NOTE *Pressing the Enter key is not required for these functions.*

To select an input using the IR 301 hand-held remote control, aim the hand-held unit at the IR detector on the system switcher and press the numeric button for the desired input. The maximum operating range is 30 feet. For the System 10 switcher, press the 0 key to select input 10.

The IR 301 also lets the user control the system switcher's Display Power, Display Mute, RGB Mute, and Audio Mute functions. Pressing the keys for these functions on the remote toggles these functions on and off in the switcher.

Battery installation

Install two AAA batteries as shown (figure 1).

IR receiver chip installation

Install the IR receiver chip in the System 8/10 Plus System Switcher as follows:

1. Unplug the switcher.
2. If rack mounted, remove the System 8/10 from the rack.
3. Remove all input and output cables.
4. Place the switcher on a clean work space and remove the three screws on either side of the switcher (figure 2). Remove the top cover.

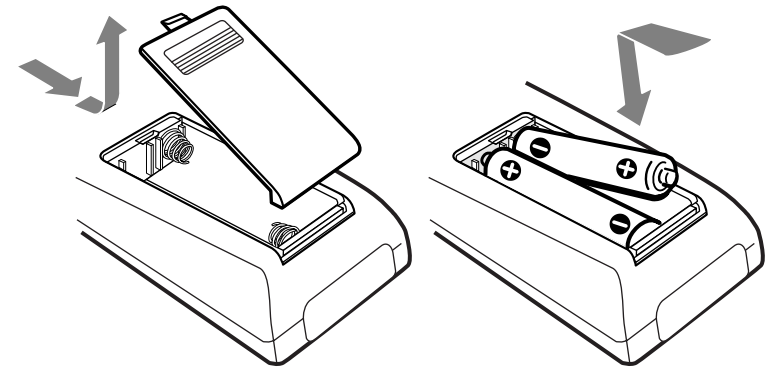


Figure 1 — Battery installation

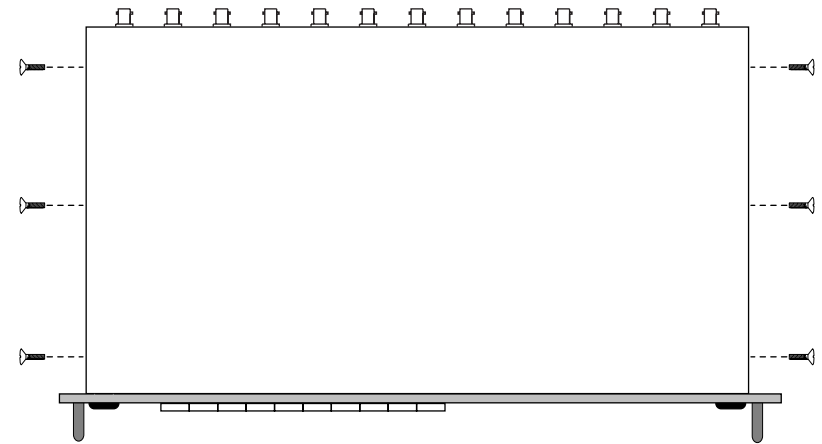


Figure 2 — Removing the top cover

CAUTION *Use Electrostatic discharge (ESD) precautions by grounding yourself with an approved wrist strap. Do not touch the electronic components other than the IC chip to be installed. Handle the chip by its edges only. ESD can damage ICs, even if you cannot feel, see, or hear it.*

- NOTE** *Do not touch any of the switches. Changed switch positions can affect the operation of the switcher.*
5. Locate vacant IC socket U21 on the main controller board (figure 3).
 6. Using ESD precautions, remove the IC chip from its protective packaging. Examine the chip to ensure that all pins are straight and in alignment.

Free Manuals Download Website

<http://myh66.com>

<http://usermanuals.us>

<http://www.somanuals.com>

<http://www.4manuals.cc>

<http://www.manual-lib.com>

<http://www.404manual.com>

<http://www.luxmanual.com>

<http://aubethermostatmanual.com>

Golf course search by state

<http://golfingnear.com>

Email search by domain

<http://emailbydomain.com>

Auto manuals search

<http://auto.somanuals.com>

TV manuals search

<http://tv.somanuals.com>