

RS 12-70E



Pipe Sander / Polisher



SERVICE

Tool service and maintenance must be performed only by qualified repair personnel.

When servicing a tool, only use identical replacement parts available from FEIN.

Repairs on FEIN Power Tools required the use of special tools (pulling devices and bearing press). Authorized repair centers have trained repair technicians and equipment necessary to perform these repairs. Service or repairs performed by unqualified persons could result in operator injury.

For the location of the repair center near you, please call 1-800-441-9878. Monday thru Friday, 9AM to 5PM EST. Or, look on our web site at www.feinus.com and follow the link to "Authorized Warranty Repair Centers"

**FEIN Power Tools
1030 Alcon Street
Pittsburgh, PA 15220**

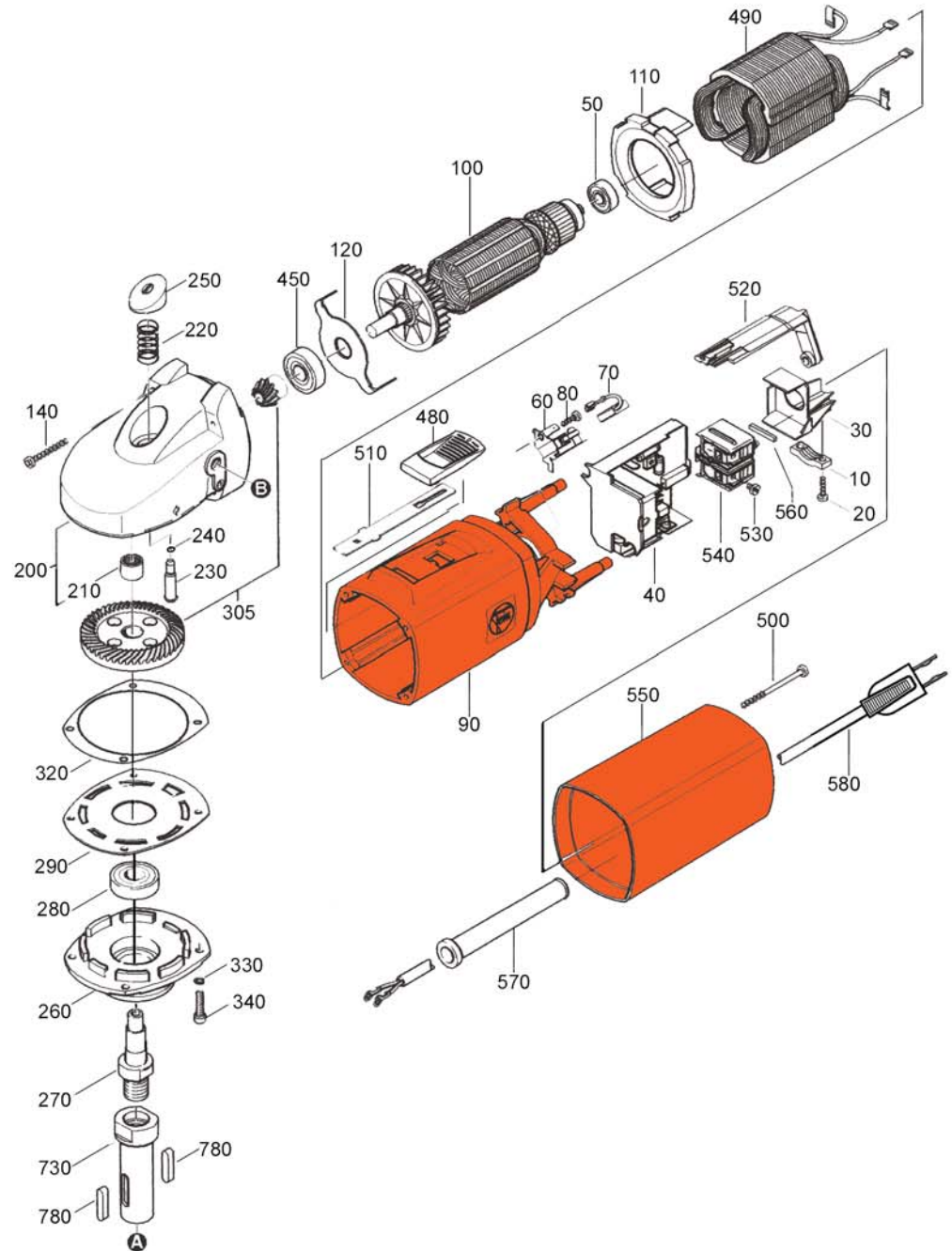
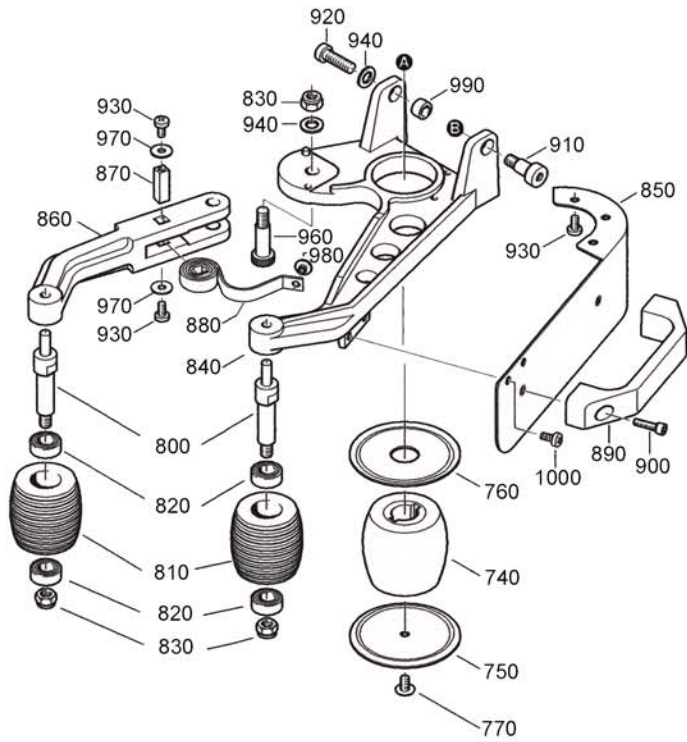
Phone: 412-922-8886 Fax: 412-922-8767 Toll Free: 1-800-441-9878

Dec 28, 2004



Pipe Sander

Model: RS 12-70E



FEIN Power Tools

RS 12-70E

<u>Item</u>	<u>Item Number</u>	<u>Description</u>	<u>Reqd</u>
10	3-24-31-021-00-7	CABLE CLAMP	1
20	4-30-70-001-00-6	SCREW	2
30	3-24-31-040-00-6	SUPPORT	1
40	3-07-62-233-99-9	ELECTRONIC	1
50	4-17-01-001-17-2	BALL BEARING	1
60	3-07-12-088-01-3	BRUSH HOLDER	2
70	3-07-11-132-00-3	BRUSH	2
80	4-30-70-018-00-9	SCREW	2
90	3-19-01-114-01-4	MOTOR HOUSING	1
100	5-32-73-001-23-3	MOTOR ASSEMBLY	1
110	3-14-28-118-00-7	AIR CONDUCTING RING	1
120	3-24-16-098-00-5	COVER PLATE	1
140	4-30-70-007-00-2	SCREW	4
200	3-12-06-110-01-5	GEAR HOUSING	1
210	4-17-05-019-00-1	NEEDLE BEARING	1
220	3-09-01-032-00-3	SPRING	1
230	3-02-17-327-00-3	PIN	1
240	4-06-12-137-00-8	SEALING RING	1
250	3-28-05-185-00-2	BUTTON	1
260	3-24-19-115-00-6	BEARING PLATE	1
270	3-34-06-284-00-9	SHAFT	1
280	4-17-01-010-05-4	BALL BEARING	1
290	3-24-16-101-00-9	COVER PLATE	1
305	3-38-09-229-01-2	BEVEL GEAR ASSEMBLY	1
320	3-26-24-117-00-9	WASHER	1
330	4-24-43-003-04-3	LOCK WASHER	4
340	4-30-41-023-04-6	SCREW	4
450	4-17-01-007-26-6	BALL BEARING	1
480	3-28-05-156-00-8	SLIDING SWITCH	1
490	5-1-273-001-23-1	FIELD COIL	1
500	4-30-70-017-00-1	SCREW	2
510	3-28-16-055-00-0	SWITCH BAR	1
520	3-28-16-052-00-4	SWITCH ROD	1
530	4-30-41-039-99-9	SCREW	2
540	3-07-01-218-00-3	SWITCH	1
550	3-12-01-101-00-8	COVER	1
560	3-14-15-082-00-4	BOLSTER	1
570	3-14-13-007-00-7	CABLE PROTECTING SLEEVE	1
580	3-07-05-035-01-3	CABLE	1
730	3-13-35-012-00-9	OUTPUT SHAFT	1
740	3-13-35-011-00-6	DRIVE WHEEL	1

750	3-13-35-009-00-5	OUTER FLANGE	1	_____
760	3-13-35-010-00-7	INTER FLANGE	1	_____
770	3-13-35-015-00-5	SCREW	1	_____
780	4-02-21-067-00-9	FITTING KEY	2	_____
800	3-13-35-005-00-6	OUTPUT SHAFT	2	_____
810	3-13-35-008-00-1	TENSION ROLLERS	2	_____
820	4-17-01-004-03-7	BALL BEARING	4	_____
830	4-20-19-020-08-7	NUT	3	_____
840	3-13-35-001-00-7	TENSION ARM ASSEMBLY	1	_____
850	3-13-35-007-00-3	HANDLE GUARD	1	_____
860	3-13-34-002-00-0	TENSION ARM	1	_____
870	3-13-35-004-00-2	SPACER	1	_____
880	3-13-35-003-00-4	SPRING	1	_____
890	3-13-35-016-00-8	HANDLE	1	_____
900	4-30-35-032-06-5	SCREW	2	_____
910	3-13-35-013-00-3	BOLT	1	_____
920	4-30-35-047-08-9	SCREW	1	_____
930	4-30-41-039-99-9	SCREW	5	_____
940	4-24-01-004-08-3	DISC - BELT	2	_____
960	3-13-35-014-00-1	BOLT	1	_____
970	4-24-02-015-00-2	DISC	2	_____
980	3-13-35-018-00-0	SCREW	1	_____
990	3-13-35-006-00-9	SPACER	1	_____

Free Manuals Download Website

<http://myh66.com>

<http://usermanuals.us>

<http://www.somanuals.com>

<http://www.4manuals.cc>

<http://www.manual-lib.com>

<http://www.404manual.com>

<http://www.luxmanual.com>

<http://aubethermostatmanual.com>

Golf course search by state

<http://golfingnear.com>

Email search by domain

<http://emailbydomain.com>

Auto manuals search

<http://auto.somanuals.com>

TV manuals search

<http://tv.somanuals.com>