

FEIN Service

USA

FEIN Power Tools Inc.
1030 Alcon Street
Pittsburgh, PA 15220
Telephone: (412) 922-8886
Toll Free: 1-800-441-9878
www.fein.us

Canada

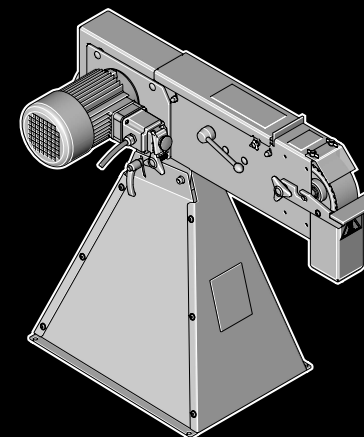
FEIN Canadian Power Tool
Company
323 Traders Boulevard East
Mississauga, Ontario L4Z 2E5
Telephone.: (905) 8901390
Toll Free: 1-800-265-2581

FEIN Canadian Power Tool
Company
2810 De Miniac
St. Laurent, Quebec H4S 1K9
Telephone: (514) 331-7390
Toll Free: 1-800-789-8181
www.fein.com

Headquarter:

C. & E. FEIN GmbH
Hans-Fein-Straße 81
D-73529 Schwäbisch Gmünd/Bargau
www.fein.com

GRIT GX 75



Steen Mølsted

Steen Mølsted
Quality Manager

Søren Strunge

Søren Strunge
Managing Director





Table of Contents.

1. For your safety.....	3
1.1 General Safety Notes.....	3
1.2 Electrical Safety Notes	4
1.3 Specific Safety Notes for Belt Grinders.	4
2. Symbols.....	5
3. Technical Description and Specifications	7
4. Mounting instructions	9
5. Electrical connection (see appendix).....	9
6. Intended use of the machine.....	10
7. Adjustments.....	10
7.1 Adjusting the incline.....	10
7.2 Adjusting the grinding rest.....	10
7.3 Adjusting the face- grinding rest	11
7.4 Adjusting the belt tracking	11
8. Changing the grinding belt.....	11
9. Operating instructions.....	12
9.1 Switching ON.....	12
9.2 Switching OFF.....	12
9.3 Emergency OFF pushbutton	12
9.4 Changing the speed (models 2H).....	12
9.5 Overload protection	12
9.6 Contact grinding	13
9.7 Face grinding.....	13
9.8 Suction device	13
10. Maintenance.....	14
10.1 Service	14
10.2 Cleaning.....	14
11. Warranty and liability.....	14
12. Environmental protection, disposal.....	14
13. Electrical connection	15

1. For your safety.

WARNING Read all safety warnings and all instructions. Failure to follow the warnings and instructions may result in electric shock, fire and/or serious injury. Save all warnings and instructions for future reference.

Do not use this machine before you have thoroughly read and completely understood this Instruction Manual, including the figures, specifications, safety regulations and the signs indicating DANGER, WARNING and CAUTION.

Only carry out such operations with this machine as intended for by FEIN. Only use application tools and accessories that have been released by FEIN.

Please also observe the relevant national industrial safety regulations.

Non-observance of the safety instructions in the said documentation can lead to an electric shock, burns and/or severe injuries.

This Instruction Manual should be kept for later use and enclosed with the machine, should it be passed on or sold.

SAVE THESE INSTRUCTIONS.

1.1 General Safety Notes.

WARNING Pull out the mains plug for maintenance and repair! Switching the machine on unintentionally can lead to serious injuries. Avoid accidental starting by making sure the switch is in the off-position before plugging in or wiring up the machine.

Always wear protective eye wear when operating machinery. Eye wear shall be impact resistant, protective safety glasses with side shields which comply with ANSI Z87.1 specifications. Use of eye wear which does not comply with ANSI Z87.1 specifications could result in severe injury from breakage of eye protection.



Always use safety glasses. Also use face or dust mask if cutting operation is dusty. Everyday eyeglasses only have impact resistant lenses, they are NOT safety glasses.

Wear appropriate safety clothing. Wear leather safety gloves, arm guards, leather aprons and safety shoes. Wear dust mask and ear protection.

Wear proper apparel. Do not wear loose clothing, gloves, neckties, rings, bracelets, or other jewelry which may get caught in moving parts. Nonslip footwear is recommended. Wear protective hair covering to contain long hair.

Keep guards in place and in working order. Do not operate the machine with any guards removed. Keep hands in sight and clear of all moving parts and rotating cutting tools or surfaces.

Remove adjusting keys and wrenches. Form habit of checking to see that keys and adjusting wrenches are removed from machine before turning it on.

Keep work area clean. Cluttered areas and benches invite accidents.

Don't use in dangerous environment. Don't use power tools in damp or wet locations, or expose them to rain. Keep work area well lighted. Special electrics should be used when working on flammable materials.

Keep children away. All visitors should be kept safe distance from work area.

Make workshop kid proof with padlocks or master switches.

Don't force machine. It will do the job better and safer at the rate for which it was designed.

Use right machine. Don't force machine or attachment to do a job for which it was not designed.

Do not overreach. Keep proper footing and balance at all times. Failure to maintain proper working position can cause you to slip and fall into machine or cause your clothing to get caught, pulling you into the machine.

Maintain machine with care. Keep machine clean for best and safest performance. Follow instructions for lubricating and changing accessories.

Disconnect machine before servicing and changing accessories.

Reduce the risk of unintentional starting. Make sure switch is in off-position before plugging in.

Use recommended accessories. Consult the owner's manual for recommended accessories. The use of improper accessories may cause risk of injury to persons.

Never stand on machine. Serious injury could occur if the machine is tipped or if the grinding belt is unintentionally contacted.

Check damaged parts. Before further use of the machine, a guard or other part that is damaged should be carefully checked to determine that it will operate properly and perform its intended function – check for alignment of moving parts, binding of moving parts, breakage of parts, mounting, and any other conditions that may affect its operation. A guard or other part that is damaged should be properly repaired or replaced.

Direction of feed. Feed work against the direction of rotation of grinding tool only.

Never leave the machine running while unattended. Turn power off. Don't leave machine until it comes to a complete stop.

1.2 Electrical Safety Notes.

⚠ WARNING **The mains plug of the machine may be mounted only by a qualified electrician.** The protective conductor in the mains socket outlet must be connected with the protective earthing of the mains supply.

Check the rotation direction of the motor before starting the operation of the machine for the first time. If the rotation direction of the motor is incorrect, the workpiece can be thrown from the machine and cause an accident. The rotation direction may be changed only by a qualified electrician.

When wiring this machine make sure it is properly grounded in accordance with National Electric code and local codes and ordinances. This work should be done by a qualified electrician.

1.3 Specific Safety Notes for Belt Grinders.

⚠ CAUTION **Make sure that the undercarriage stands securely and has a level setup position. Fasten the undercarriage to the ground.** If the undercarriage tips over during operation, serious injuries can result.

Use appropriate fastening material when mounting the machine to the undercarriage. When mounted incorrectly, the machine can come loose from the undercarriage and cause serious accidents.

Always use the protective devices of the machine. The protective devices must be securely mounted to the machine and positioned for maximum safety. The protective devices help to protect the operator from flying grinding particles and unintentional contact with the grinding belt.

Pay attention that persons are not harmed by sparking. Remove combustible materials in the direct area. Sparks develop when grinding metals.

⚠ DANGER **When grinding metals (e. g. aluminium or magnesium), dust develops that can be combustible or explosive. Do not operate the machine in the vicinity of combustible materials.** Sparks can ignite such materials.

When grinding metals, red hot metal and grinding belt particles develop and are collected in the dust collector. Before emptying, the contents of the dust collector must have cooled sufficiently and may be disposed only in suitable containers.

Never brush away any dust while the machine is in operation. All clean up should be done when the machine is stopped.

Additional precautions may be necessary for grinding materials which are flammable or have other hazardous properties. You should always consult the manufacturers of such material for instructions on grinding and handling.

Make sure that you or other persons are not standing directly next to the grinding belt when switching the machine on. The grinding belt can tear apart and cause serious injuries.

Do not use worn, torn or heavily clogged grinding belts. Handle grinding belts with care and store them in accordance with the instructions of the manufacturer. Do not bend or crease grinding belts! Damaged grinding belts can tear apart and be thrown from the machine resulting in possible personal injury.

All abrasive belts, prior to use, should be stored in a controlled environment area. Relative humidity should be 35 to 50 % and temperature should be between 60 to 80 ° F. Failure to do so could cause premature belt failure.

Never use an abrasive belt with a nicked or cut edge, a crease or handling damage. If used the belt could fail.

Check with the abrasive belt supplier for information on speeds to be used with various types of material being ground. The operator must make certain the spindle speed of the grinder does not exceed the maximum RPM recommendations for use with the abrasive cutting belt.

Do not use grinding belts or other accessories which are not specifically designed and recommended by the power tool manufacturer. Safe operation is not ensured merely because a grinding belt or accessory fits your machine.

Make sure the arasive belt fully covers the surface of the contact wheel. A partially uncovered contact wheel face will cause snagging and the throwing of the work piece.









Track by turning the belt by hand. Then, jog the motor to fine tune abrasive belt tracking. A sudden full power start could cause the belt to track off the machine.

Check the sound of the running abrasive belt. If a ticking sound or bumping noise occurs, stop the machine and check for possible belt or machine damage. Before grinding, the grinder shall be checked for spindle runout, any signs of excessive vibration or wobble and worn or unbalanced contact wheels.

Press the emergency-off switch immediately in danger situations. The machine runs on for up to 50 seconds.





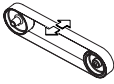
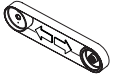
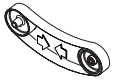



Clean the ventilation slots of the machine regularly. The motor fan draws dust into the housing. Excessive accumulation of metal dust can cause electrical dangers.

2. Symbols.

Symbol	Term, meaning	Explanation
	Action	Action to be taken by the user
	General mandatory sign	Follow the instructions in the adjacent text!
	Read documentation	Be absolutely sure to read the enclosed documentation such as the Instruction Manual and the General Safety Instructions.
	Use eye-protection	Use eye-protection during operation. (ANSI Z87.1, category 2)
	Wear ear protection	Use ear protection during operation. (ANSI Z87.1, category 2)
	Use dust mask	Use a dust mask during operation. (ANSI Z87.1, category 2)
	Use protective gloves	Use protective gloves during operation. (ANSI Z87.1, category 2)
	It is forbidden to dispose of the product in the unsorted household waste.	Worn out power tools and other electrotechnical and electrical products should be sorted separately for environment-friendly recycling.

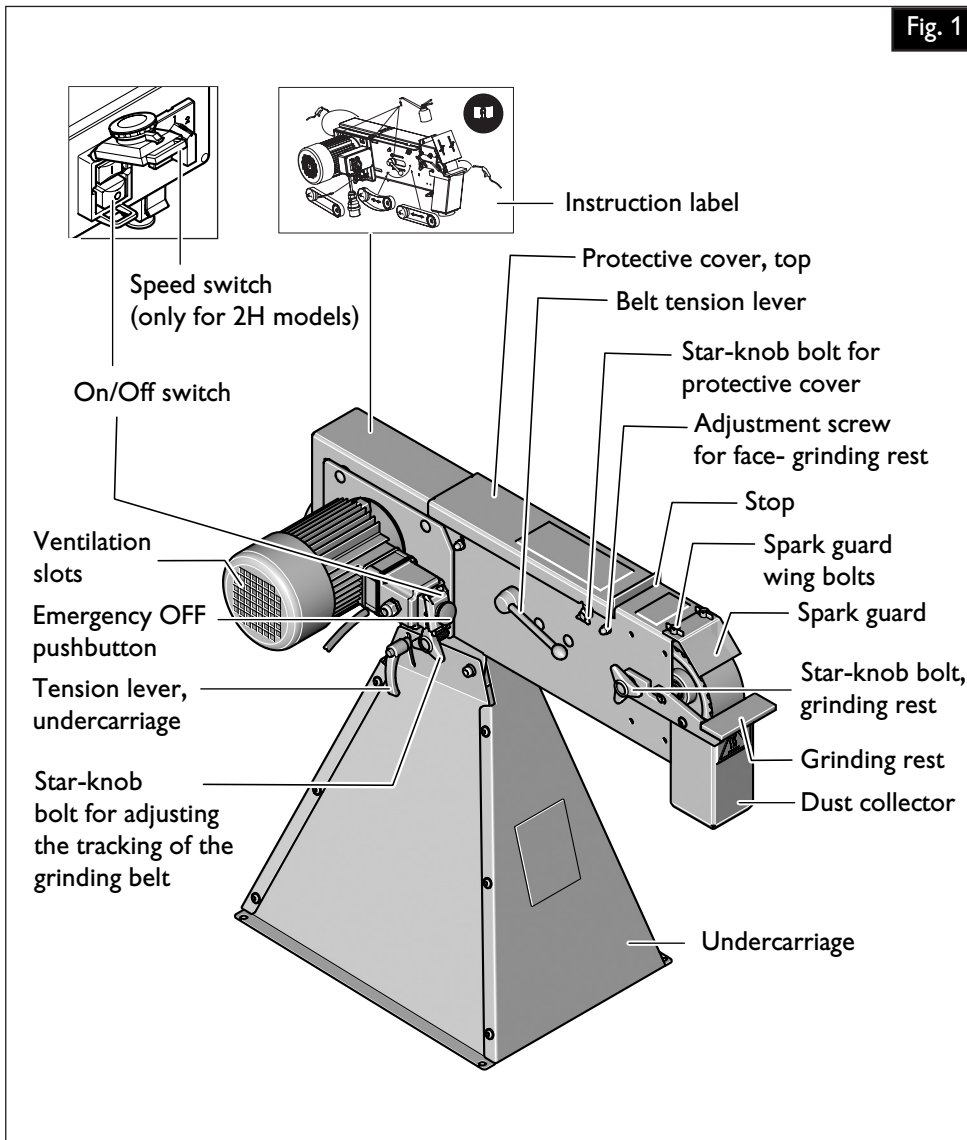
US

GX 75

Symbol	Term, meaning	Explanation
 DANGER	DANGER	This sign warns of a directly imminent, dangerous situation. A false reaction can cause a severe or fatal injury.
 WARNING	WARNING	This sign indicates a possible dangerous situation that could cause severe or fatal injury.
 CAUTION	CAUTION	This sign warns of a possible dangerous situation that could cause injury.
	Hazardous Voltage	Contact may cause electric shock or burn.
	Belt tracked	Indicates text which explains belt adjustment.
	Belt tensioned	Indicates text which explains belt adjustment.
	Belt released	Indicates text which explains belt adjustment.
	Lubricate	Lubricate machine at marked locations.
	Compressed air	Clean machine with compressed air at marked locations.
	Class of protection I	Product with basic insulation and exposed (touchable), conductive parts additionally connected to the protective earth conductor.
mm	Millimeter	Unit of measure for length, width, height or depth
kg	Kilogram	Unit of measure for the mass
V	Volt	Unit of measure for the electric voltage
A	Ampere	Unit of measure for the electric current intensity
W	Watt	Unit of measure for the output
min	Minutes	Unit of measure for the time
°	Degree	Unit of measure for the angle width
~ or a. c.	Current type	Alternating current
1 ~	Power supply type	Alternating current single-phase
n ₀	No-load speed	Revolution speed at no-load
1/min	per minute	Unit of measure for number of revolutions, strokes, impacts or oscillations per minute
∅	Diameter	Diameter of a round part

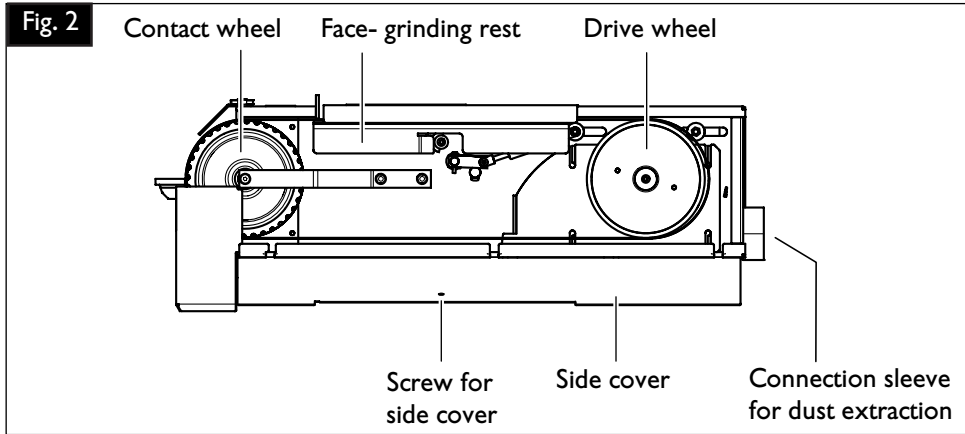
3. Technical Description and Specifications.

WARNING Before mounting or replacing application tools or accessories, pull the power plug. This preventive safety measure rules out the danger of injuries through accidental starting of the machine.



US

GX 75



Type	GX 75USA			GX 75VUSA			GX 75 2HUSA			GX 75 2H2VUSA														
Reference number	7	901	01	12	44	3	7	901	01	12	23	3	7	901	02	12	44	3	7	901	02	12	23	3
No-load speed [rpm]	3 450			3 450			1 725/3 450			1 725/3 450														
Power input [W]	3 000			3 000			1 500/2 000			1 500/2 000														
Voltage [V]	3 x 440			3 x 220			3 x 440			3 x 220														
Frequency [Hz]	60			60			60			60														
Grinding-belt speed [m/s]	7 084			7 084			3 542/6 691			3 542/6 691														
Weight according to EPTA-Procedure 01/2003 [kg]	143.1			143.1			147.5			147.5														
Class of protection	I/⊕			I/⊕			I/⊕			I/⊕														
Grinding-belt length [inch]	78.7			78.7			78.7			78.7														
Grinding-belt width [inch]	2.95			2.95			2.95			2.95														

Noise emission values.


Measured A-weighted sound power level L_{WA} (re 1 pW), in decibels: 85

Measuring uncertainty K_{WA} , in decibels: 3

A-weighted emission pressure power level measured at the workplace L_{pA} (re 20 μPa), in decibels: 74

Measuring uncertainty K_{pA} , in decibels: 3

REMARK: The sum of the measured emission value and respective measuring inaccuracy represents the upper limit of the values that can occur during measuring.

 Wear ear protection!

GX 75

US

4. Mounting instructions.

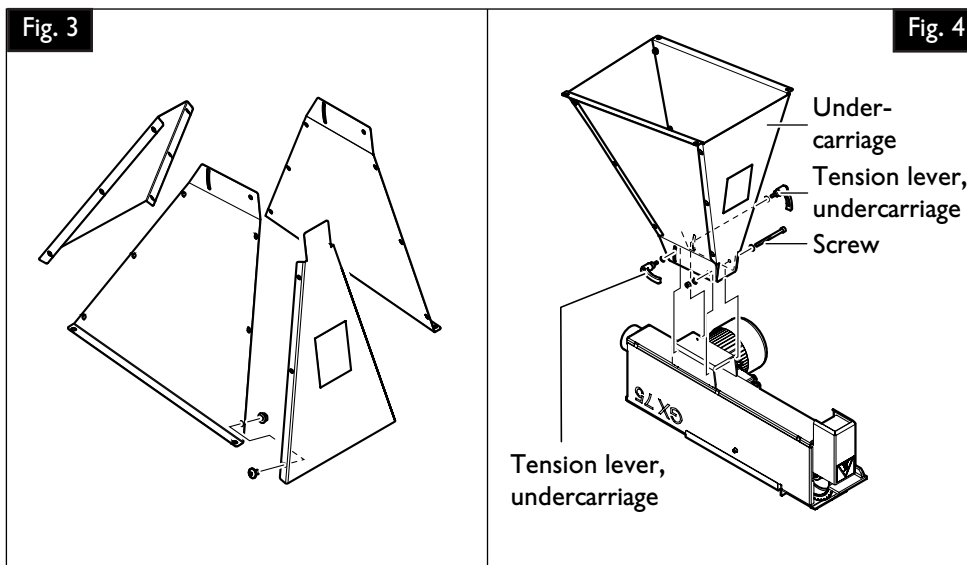
WARNING Before any work on the machine itself, pull the power plug from the socket outlet.

Assemble the undercarriage as shown. (Figure 3)

Place the machine on the floor with the top side facing down and mount the undercarriage according to the figure and instructions on the DVD. (Figure 4)

WARNING Due to the danger of accidents, this work must be carried out by persons that are physically capable of lifting the high weight of the machine.

Fasten the undercarriage to the ground with suitable anchor/screw connections. The fastening must be suitable to withstand the forces occurring during working.



5. Electrical connection (see appendix).

WARNING Hazardous Voltage



Contact may cause electric shock or burn.

The machine is not equipped with a mains plug and must be connected to the power supply. The electrical connection, which is to be provided by customer, must be carried out by a qualified electrician.

Observe mains voltage: The mains voltage and the frequency of the power source must agree with the data on the type plate of the machine.

Before starting operation for the first time, check the rotation direction of the motor. The rotation direction may be changed only by a qualified electrician.

6. Intended use of the machine.

The belt grinder GX is a multi-functional grinding machine specifically designed for metal grinding. The grinding machine can be integrated with extra modules for special grinding operations.

The grinding machine is designed for industrial indoor use in moisture free surroundings.

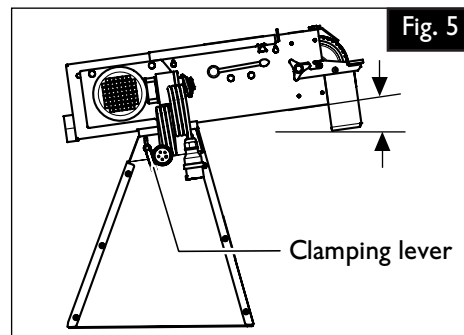
The grinding machine is only for metal grinding and must not be used for grinding of wood or plastic materials.

7. Adjustments.

WARNING Before any work on the machine itself, pull the power plug from the socket outlet.

7.1 Adjusting the incline (Figure 5).

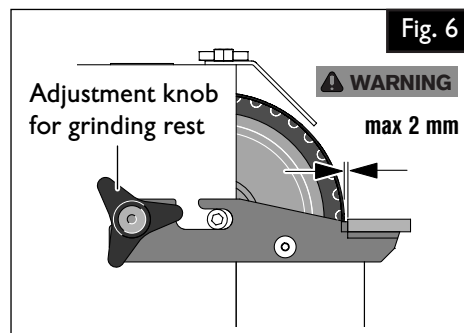
- Loosen both clamping levers. Adjust the machine to the required working height.
- Tighten both clamping levers again.



7.2 Adjusting the grinding rest (Figure 6).

WARNING The gap size must always be adjusted to the correct size. Thin workpieces could be pulled into the machine and cause severe or fatal injury.

- Loosen star-knob bolt and adjust the gap size to **2 mm (max.)**.
- Tighten the star-knob bolt again.



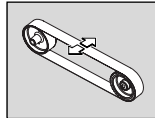
7.3 Adjusting the face- grinding rest (Figure 7).

WARNING The gap size must always be adjusted to the correct size. Thin workpieces could be pulled into the machine and cause severe or fatal injury.

For face grinding applications, the face- grinding rest must be aligned parallel to the grinding belt and must touch it over the complete surface.

- Loosen screw and fold the side cover down.
- Loosen screws and align the face-grinding rest. Tighten the screw again.
- Shut the side cover and tighten screw again.

7.4 Adjusting the belt tracking (Figure 8).

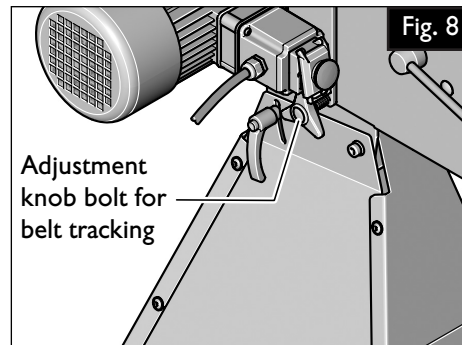
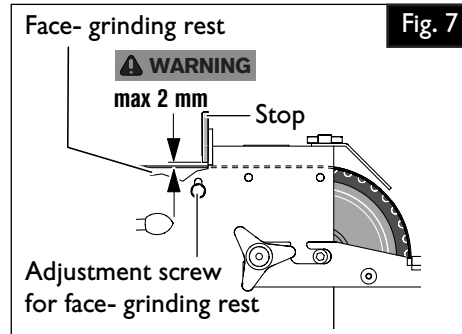


Switch the machine on only briefly and check the belt tracking. If the grinding belt moves left or right, adjust the belt tracking with the star-knob bolt until centred.

If the belt tracking cannot be adjusted centred:

- Clean the drive wheel and the contact wheel with compressed air.
- Check the drive wheel and the contact wheel for wear, deformation and damage. Have damaged components replaced without delay!

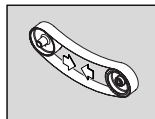
! Check the gap size at the stop (max. 2 mm).



8. Changing the grinding belt (Figures 1 + 2).

WARNING Before any work on the machine itself, pull the power plug from the socket outlet.

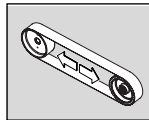
- Loosen star-knob bolt and open the top protective cover.
- Loosen screw and fold the side cover down.
- Loosen star-knob bolt and remove the dust collector.



Push belt tension lever down to release the clamping device.

- Remove the old grinding belt.
- Before attaching the new grinding belt, observe the information concerning the running direction on the inner side of the grinding belt! It must correspond with the running direction of the drive wheel.

- Place the grinding belt both around the drive wheel and around the contact wheel.



Push the belt tension lever up again to tension the grinding belt.

- Shut the side cover and tighten screw again.
- Close the top protective cover and tighten star-knob bolt.
- Remount the dust collector and check the gap size at the grinding rest.
- Switch the machine on and adjust the belt run.

9. Operating instructions.

CAUTION Never touch the running grinding belt. Danger of injury.



Always use safety glasses. Also use face or dust mask if cutting operation is dusty. Everyday eye-glasses only have impact resistant lenses, they are NOT safety glasses.

Wear appropriate safety clothing. Wear leather safety gloves, arm guards, leather aprons and safety shoes. Wear dust mask and ear protection.

Present the workpiece to the abrasive belt below the horizontal centerline of the contact wheel.

Above the centerline, the workpiece will chatter and it is difficult to hold, with the possibility the work piece could be pulled away.

Always use an upward stroke to present the work piece to the abrasive belt. This method both improves the cutting and increases safety by drawing hands away from the abrasive belt.

9.1 Switching ON: (Figure 9)

- Release the emergency OFF pushbutton and lift it up. Press the "I" button.

9.2 Switching OFF: (Figure 9)

- Lift up the emergency OFF pushbutton. Press the "0" button.
- ⚠ After switching off, the machine runs on for approx. 50 seconds.

9.3 Emergency OFF pushbutton: (Figure 9)

- In emergency situations, press the red emergency OFF pushbutton to switch the machine off.

9.4 Changing the speed (Figure 9 – models 2H).

- Switch position 1: Low speed
 - Switch position 2: High speed
- ⚠ Change the speed of the machine only when the machine is at a complete stop with the speed switch.

9.5 Overload protection.

In case of continuous high load over a longer period of time, the machine is switched off. After a cooling-down period of approx. 15 minutes, the machine is ready for operation again.

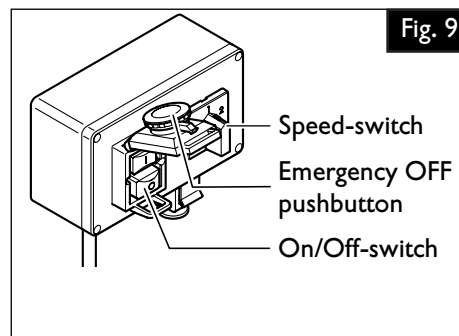
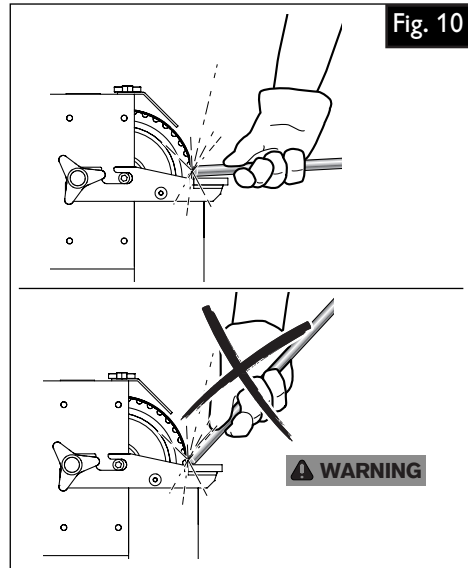


Fig. 9

9.6 Contact grinding (Figure 10).

⚠ WARNING The workpiece must always lie securely on the grinding rest and the stop. Workpieces that are too small or too thin may not be worked. Danger of injury from workpieces pulled into the machine.

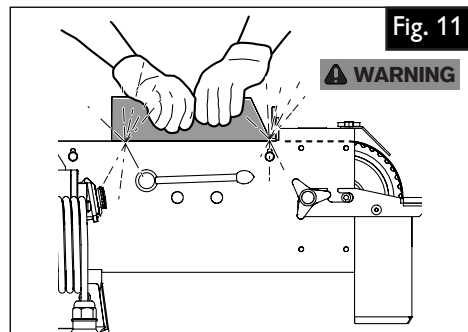
- Check if the star-knob bolt is firmly tightened.
- Ensure that the top protective cover is secured with star-knob bolt and that the side cover is shut.
- Check the gap size of the grinding rest.
- Check the position of the face-grinding rest. The adjustment screws must be in the bottom position.
- Check if the screws of spark guard are properly tightened.
- Switch the machine on and check the belt run.
- Place the workpiece firmly onto the grinding rest.
- Guide the workpiece with both hands or fasten it in a fixture.



9.7 Face grinding (Figure 11).

⚠ WARNING Hold the workpiece with both hands. The workpiece must always lie securely on the face grinding rest and the stop. Workpieces that are too small or too thin may not be worked. Danger of injury from workpieces being pulled in or thrown from the machine.

- Loosen the star-knob bolts and remove the top protective cover.
- Make sure that the gap size is correctly adjusted. (Figure 7)
- Switch the machine on and check the belt run.
- Guide the workpiece with both hands and remove it to upward after the working procedure. (Figure 11)



9.8 Suction device (Figure 2)

- The machine can be connected via the sleeve to a dust extraction system.

10. Maintenance.

WARNING Hazardous Voltage



Contact may cause electric shock or burn.


Pull out the mains plug for maintenance and repair! Switching the machine on unintentionally can lead to serious injuries.

10.1 Service.

WARNING Have maintenance carried out only through qualified personnel.

Incorrectly mounted leads and components can cause serious injuries. Have the required service carried out only through a FEIN customer service agent.

For repairs, we recommend our FEIN customer service centre, the FEIN authorised service centres and FEIN agencies.

 When the machine's power cable is damaged, it must be replaced by a qualified person using a specially prepared power cable, available from your FEIN customer service agent.

11. Warranty and liability.

The warranty for the product is valid in accordance with the legal regulations in the country where it is marketed.

In addition, FEIN also provides a guarantee in accordance with the FEIN manufacturer's guarantee. For further details on this, please contact your specialist dealer, your national FEIN representative, or the FEIN customer service centre.

12. Environmental protection, disposal.

The machine should be sorted for environment-friendly recycling in accordance with national laws.



10.2 Cleaning.

WARNING Prior to any cleaning or maintenance, disconnect the machine from the power supply in order to avoid accidents.

It is best to clean the machine with dry compressed air. **When cleaning machines with compressed air, always wear safety goggles.**

Cooling-air openings and operating elements must be clean and may not be obstructed through other objects. Do not attempt to clean the openings with pointed objects.

Carry out the following maintenance regularly:

-  Blow out the ventilation slots at the motor housing and the marked locations with compressed air (see Instruction label).
-  Lubricate the machine daily (when in use) with machine oil at the locations marked (see Instruction label).
- Check the drive wheel and the contact wheel for wear and damage each time when changing the grinding belt. Have damaged parts replaced.



GX 75

US

13. Electrical connection.

⚠ WARNING Hazardous Voltage



Contact may cause electric shock or burn.

When wiring this machine make sure it is properly grounded in accordance with National Electric code and local codes and ordinances. This work should be done by a qualified electrician.

This machine should be grounded while in use to protect the operator from electrical shock. The tool is equipped with an approved three-conductor cord three-prong grounding type plug to fit the proper grounding type receptacle. The green (or green and yellow) conductor in the cord is the grounding wire. Never connect the green (or green and yellow) wire to a live terminal. If your unit is a 220/440 V 3-phase system, the connection to the power source should be done by a four wire cable as shown in figure. When making the connections, check the motor for proper rotation. To change the motor rotation, switch two of the live leads. The green wire is always the ground wire and is never to be connected to a live terminal. This work should be done by a qualified electrician.

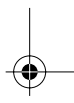
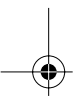
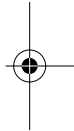
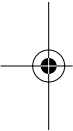



Table des matières

1. Pour votre sécurité	17
1.1 Instructions générales de sécurité.....	17
1.2 Consignes de sécurité relatives à l'électricité.....	18
1.3 Consignes de sécurité pour ponceuses à bande.....	18
2. Symboles.....	20
3. Description technique et spécification	22
4. Indications de montage.....	24
5. Branchement électrique (voir annexes).....	24
6. Utilisation de l'appareil	25
7. Réglages	25
7.1 Régler l'inclinaison.....	25
7.2 Ajuster le support de ponçage	25
7.3 Ajuster le support de ponçage pour surfaces planes.....	26
7.4 Centrage de la bande	26
8. Changement de la bande.....	26
9. Instructions pour le service	27
9.1 Mise en fonctionnement.....	27
9.2 Arrêt	27
9.3 Touche Arrêt d'urgence	27
9.4 Modifier la vitesse de rotation (Modèles 2H)	27
9.5 Protection contre surcharge	27
9.6 Dressage (Figure 10)	28
9.7 Ponçage de surfaces planes	28
9.8 Dispositif d'aspiration	28
10. Entretien	29
10.1 Service après-vente	29
10.2 Nettoyage	29
11. Garantie	29
12. Protection de l'environnement, élimination	29
13. Branchement électrique	30

1. Pour votre sécurité.

AVERTISSEMENT Lire tous les avertissements de sécurité et toutes les instructions. Ne pas suivre les avertissements et instructions peut donner lieu à un choc électrique, un incendie et/ou une blessure sérieuse.

Conserver tous les avertissements et toutes les instructions pour pouvoir s'y reporter ultérieurement.

 Ne pas utiliser cet outil électroportatif, avant d'avoir soigneusement lu et complètement compris cette notice d'utilisation y compris les figures, les spécifications, les règles de sécurité ainsi que les indications marquées par DANGER, AVERTISSEMENT et ATTENTION.

N'effectuer avec cet outil électrique que des travaux pour lesquels il a été conçu par FEIN. N'utiliser que des outils de travail et accessoires autorisés par FEIN.

De même, respecter les dispositions concernant la prévention des accidents du travail en vigueur dans le pays en question.




Le non-respect des instructions de sécurité se trouvant dans la documentation mentionnée peut entraîner un choc électrique, un incendie et/ou de graves blessures.




Bien garder cette notice d'utilisation en vue d'une utilisation ultérieure ; elle doit être jointe à l'appareil en cas de cession ou de vente à une tierce personne.

GARDER PRECIEUSEMENT CES INSTRUCTIONS DE SECURITE.

1.1 Instructions générales de sécurité.

AVERTISSEMENT Avant les travaux d'entretien et de réparation, retirer la fiche de la prise de courant ! Une mise en marche accidentelle de l'appareil par mégarde peut entraîner de graves blessures. Evitez tout démarrage intempestif, assurez-vous que l'interrupteur est effectivement en position « Arrêt » avant de brancher ou de raccorder l'appareil.

   **Portez toujours des lunettes de protection, si vous travaillez avec des machines. Les lunettes de protection doivent être résistantes aux chocs et être équipées d'une couverture latérale suivant ANSI Z87.1.** Les lunettes de protection qui ne correspondent pas à la ANSI Z87.1, peuvent se casser et causer de blessures graves.

   **Portez toujours des lunettes de protection.** Utilisez également une protection faciale ou une protection anti-poussière, si la coupe génère de la poussière. Les lunettes normales ont des lentilles qui résistent aux chocs, mais ne sont PAS des lunettes de protection.

Utilisez un équipement de protection approprié.

Portez des gants de sécurité en cuir, un tablier en cuir et des chaussures de sécurité. Portez un masque antipoussière ainsi qu'une protection acoustique.

Habillez-vous de manière adaptée. Ne portez pas de vêtements amples, des gants, cravates, anneaux, bracelets ou autres bijoux qui pourraient être happés par les parties en rotation. Des chaussures antidérapantes sont recommandées. Attachez les cheveux longs et contenez-les dans un bonnet de protection.

Assurez-vous du bon fonctionnement des couvercles de protection et ne les déplacez pas. N'utilisez pas la machine si un couvercle de protection quelconque est enlevé. Faites attention à vos mains et gardez-les à distance de toute surface ou de tout outil tranchant en rotation.

Enlevez les outils de réglage et les clés. Prenez l'habitude de vous assurer que les outils de réglage et les clés ont été enlevés avant de mettre en marche l'appareil.

Maintenez la zone de travail propre. Les surfaces et tables de travail en désordre provoquent des accidents.

Ne pas utiliser dans des environnements dangereux. Ne pas utiliser les outils électriques dans un environnement humide ou mouillé, et ne pas exposer l'outil électrique à la pluie. Eclairiez bien la zone de travail. Utilisez une installation électrique spéciale lorsque vous travaillez avec un matériau inflammable.

Ne laissez pas les enfants s'approcher. Tous les visiteurs doivent se maintenir à une distance suffisante de la zone de travail.

Faites en sorte que votre atelier ne présente aucun danger pour les enfants ; utilisez des cadenas et des interrupteurs généraux.

N'imposez pas de contraintes excessives à la machine. Il sera plus efficace et plus sûr si vous la faites fonctionner au régime pour lequel elle a été conçue.

Employez la machine qui convient. N'employez pas une machine ou un accessoire pour des travaux autres que ceux pour lesquels elle a été conçue.

Ne vous penchez pas trop en avant. Maintenez un bon appui et restez en équilibre en tout temps. Une mauvaise position de travail peut entraîner une chute, vos vêtements pourraient être happés par la machine et vous y entraîner.

Prenez soin de votre machine et entretenez-la bien. Maintenez votre machine propre pour obtenir le rendement maximum dans des conditions de sécurité optimales. Suivez les indications relatives au graissage et au remplacement d'outils.

Déconnectez la machine avant tout travail d'entretien ou de changement d'accessoire.

Réduisez le risque de toute mise en marche accidentelle. Assurez-vous avant de brancher la machine que l'interrupteur est en position arrêt.

N'utilisez que les accessoires recommandés. Consultez les instructions d'utilisation pour savoir quels sont les accessoires recommandés. L'utilisation d'accessoires non appropriés présente un risque d'accidents.

Ne montez jamais sur la machine. L'utilisateur s'expose à de graves blessures s'il renverse la machine ou s'il entre accidentellement en contact avec la bande de ponçage.

Assurez-vous qu'aucune pièce n'est endommagée. Avant de poursuivre votre travail, examinez soigneusement tout dispositif de protection ou toute autre pièce pouvant être endommagée afin de vous assurer que cette pièce remplit toujours la fonction prévue. Vérifiez l'alignement et l'assujettissement des pièces mobiles, leur degré d'usure, leur assemblage et toute autre condition pouvant affecter leur fonctionnement.

Sens de la coupe. Faites avancer l'ouvrage contre l'outil de coupe uniquement dans le sens opposé au sens de rotation de ce dernier.

Ne vous éloignez jamais de la machine sans l'arrêter. Mettez la machine hors tension. Ne vous éloignez pas de la machine avant qu'il n'ait atteint un arrêt complet.

1.2 Consignes de sécurité relatives à l'électricité.

⚠ AVERTISSEMENT La prise de secteur de la machine ne doit être montée que par un électricien qualifié. Le conducteur de protection dans la prise du secteur doit être connecté au conducteur de terre de protection de l'alimentation secteur.

Avant la première mise en service, contrôler le sens de rotation du moteur. Si c'est le mauvais sens de rotation, la pièce à travailler peut être projetée et causer des accidents. Seul un électricien professionnel a le droit d'inverser le sens de rotation.

Assurez-vous lors du raccordement de la machine qu'elle est mise à la terre conformément aux prescriptions nationales et locales en vigueur. Ce travail ne doit être effectué que par un électricien qualifié.

1.3 Consignes de sécurité pour ponceuses à bande.

⚠ ATTENTION Veiller à placer le socle dans une position stable et à l'horizontale.

Fixer le socle sur le sol. Au cas où le socle se renverserait pendant le travail, ceci pourrait entraîner de graves blessures.

Utiliser des dispositifs de fixation appropriés pour monter l'appareil sur le socle. Un montage incorrect peut provoquer de graves accidents causés par un appareil qui s'est détaché du socle pendant l'opération de travail.

Toujours utiliser les dispositifs de protection se trouvant sur l'appareil. Les dispositifs de protection doivent être bien montés sur l'appareil de façon à obtenir une sécurité maximale. Les dispositifs de protection doivent protéger l'utilisateur contre les particules qui se détachent et contre un contact accidentel avec la bande abrasive.

Veiller à ce que personne ne soit exposé à un danger en raison des projections d'étincelles. Enlever les matériaux inflammables se trouvant à proximité. L'usinage des métaux génère des étincelles.

⚠ DANGER Lors du ponçage de métaux (par ex. aluminium ou magnésium), de la poussière est générée qui peut être inflammable ou explosive. N'utilisez donc pas la machine à proximité de matériaux inflammables. Les étincelles pourraient enflammer de tels matériaux.

Lors du ponçage de métaux, des particules brûlantes et incandescentes de métal et de la feuille abrasive sont générées qui sont récupérées dans la boîte de récupération des poussières. Avant de vider le collecteur de poussières, assurez-vous que les particules ont suffisamment refroidi. Ces dernières ne peuvent être éliminées que dans des conteneurs spéciaux.

Ne pas retirer la poussière pendant que la machine est en marche. Tout travail de nettoyage ne doit être effectué que lorsque la machine est en état d'arrêt.

D'autres mesures de sécurité pourraient être nécessaires pour des matériaux de ponçage qui présentent des caractéristiques inflammables ou autres caractéristiques dangereuses. Informez-vous auprès du fabricant de tels matériaux quant aux instructions de ponçage et d'entretien.

Lors de la mise en marche de l'appareil, veiller à ce que l'utilisateur ou d'autres personnes ne se tiennent pas directement à côté de la bande abrasive. La bande abrasive peut se déchirer et entraîner de graves blessures.

Ne pas utiliser de bandes abrasives usées, fendues sur les bords ou fortement encrassées. Manier avec précaution les bandes abrasives et les ranger conformément aux instructions du fabricant. Ne pas plier les bandes abrasives ! Les bandes abrasives endommagées peuvent se déchirer ou être projetées par l'appareil et blesser des personnes.

Avant leur utilisation, toutes les bandes de ponçage doivent être stockées dans des conditions environnementales contrôlées. L'humidité relative de l'air doit être entre 35 et 50 % et la température entre 60 et 80 ° F. Le non respect de ces conditions peut provoquer l'usure prématurée des bandes.

Ne jamais utiliser de bandes de ponçage dont les bords sont entaillés, fendus ou repliés ou des bandes présentant des dommages. L'utilisation de telles bandes pourrait entraver l'opération de ponçage.

S'informer auprès du distributeur de la bande quant aux instructions relatives à la vitesse utilisée lors du ponçage de différents matériaux.

L'utilisateur doit veiller à ce que la vitesse du rouleau d'entraînement ne dépasse pas la vitesse de rotation max. recommandée en fonction de la bande de ponçage.

Ne pas utiliser de bandes abrasives ou d'autres accessoires qui n'ont pas été spécialement conçus ou acceptés par le fabricant. Le seul fait qu'une bande abrasive ou un accessoire aille sur votre appareil ne garantit pas une utilisation dépourvue de risque.

Assurez-vous que la bande de ponçage recouvre complètement la surface de la roue de contact.

Une roue de contact partiellement recouverte provoque le coincement et l'expulsion de la pièce à usiner.

Vérifiez manuellement l'alignement de la bande de ponçage. Ensuite, faites brièvement fonctionner le moteur par à-coups pour un réglage fin de la bande. Un démarrage soudain et à fond du moteur peut provoquer le détachement de la bande.

Contrôlez le bruit produit par la bande de ponçage.




Si vous entendez un cliquetis ou un bruit sourd, éteignez la machine et assurez-vous que la bande ou la machine ne présentent pas un endommagement. Avant l'opération de ponçage, assurez-vous de l'alignement de la broche, contrôlez toute vibration excessive ainsi que l'usure et l'équilibre des roues de contact.

En cas de danger, appuyez immédiatement sur l'interrupteur d'arrêt d'urgence. La machine s'arrête au bout de 50 secondes environ.

Nettoyer régulièrement les ouïes de ventilation de l'appareil. La ventilation du moteur aspire de la poussière dans le carter. Une trop grande quantité de poussière de métal accumulée peut constituer des dangers électriques.

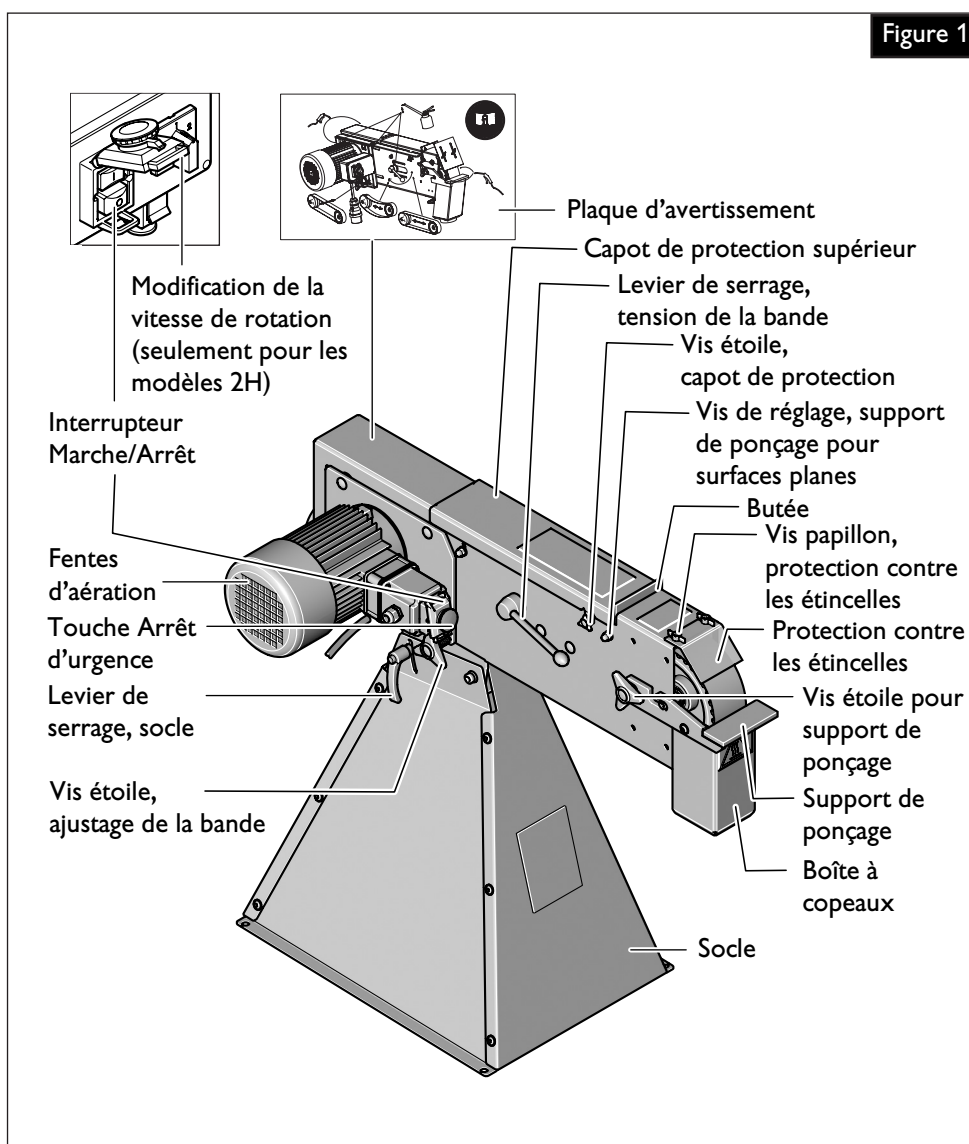
2. Symboles.

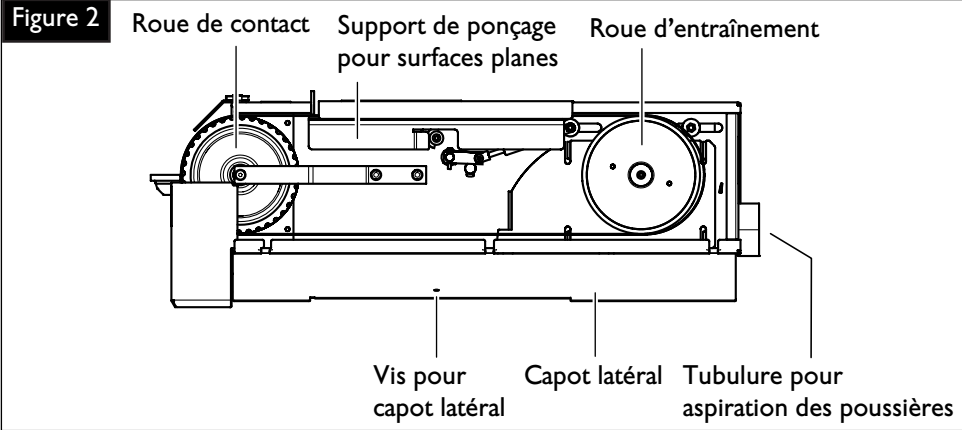
Symbole	Terme, signification	Explication
	Action	Action de l'utilisateur
	Signal d'obligation général	Suivre les indications données dans le texte ci-contre !
	Lire la documentation	Lire impérativement les documents ci-joints tels que la notice d'utilisation et les instructions générales de sécurité.
	Porter une protection oculaire	Lors des travaux, porter une protection oculaire. (ANSI Z87.1, catégorie 2)
	Porter une protection acoustique	Lors des travaux, porter une protection acoustique. (ANSI Z87.1, catégorie 2)
	Porter une protection anti-poussière	Lors des travaux, porter une protection anti-poussière. (ANSI Z87.1, catégorie 2)
	Utiliser un protège-main	Lors des travaux, utiliser un protège-main. (ANSI Z87.1, catégorie 2)
	Il est interdit de jeter le produit dans les ordures ménagères non triées.	Trier les outils électriques ainsi que les autres produits électrotechniques et électriques et les rapporter à un centre de recyclage respectant les directives concernant la protection de l'environnement.
	DANGER	Cette indication met en garde contre une situation dangereuse imminente. Une mauvaise manipulation peut entraîner de graves blessures ou la mort.
	AVERTISSEMENT	Cette indication indique une situation potentiellement dangereuse qui peut entraîner de graves blessures ou la mort.
	ATTENTION	Cette indication met en garde contre une situation potentiellement dangereuse qui peut entraîner des blessures.
	Tension dangereuse	Toucher un tel câble peut provoquer un choc électrique ou des brûlures.
	Ajustage de la bande de ponçage	Donne des informations relatives au réglage de la bande.
	Bande de ponçage tendue	Donne des informations relatives au réglage de la bande.
	Bande de ponçage détendue	Donne des informations relatives au réglage de la bande.

Symbole	Terme, signification	Explication
	Graisser	Graisser la machine aux endroits indiqués.
	Air comprimé	Nettoyer la machine avec de l'air comprimé aux endroits indiqués.
	Classe de protection I	Produit avec isolation de base et raccordement supplémentaire au conducteur de protection de tous les éléments conducteurs pouvant être touchés.
mm	Millimètre	Unité de mesure pour longueur, largeur, hauteur ou profondeur
kg	Kilogramme	Unité de mesure pour la masse
V	Volt	Unité de mesure pour la tension électrique
A	Ampère	Unité de mesure pour l'intensité du courant électrique
W	Watt	Unité de mesure pour la puissance
min (mn)	Minutes	Unité de mesure pour le temps
°	Degré	Unité de mesure pour la largeur d'angle
~ ou a. c.	Type de courant	Courant alternatif
1 ~	Type de raccord au réseau	Courant alternatif, monophasé
n_0	Vitesse de rotation en marche à vide	Vitesse circonférentielle en marche à vide
1/min (1/mn)	par minute	Unité de mesure pour le nombre de tours, la cadence de coupe, le nombre de chocs ou le nombre de vibrations par minute
Ø	Diamètre	Diamètre d'un élément rond

3. Description technique et spécification.

AVERTISSEMENT Avant de commencer les travaux de montage ou avant de changer les outils de travail et les accessoires, retirer la fiche de secteur. Cette mesure de sécurité préventive exclut un danger de blessure causé par un démarrage non intentionné de l'outil électrique.





Type	GX 75USA	GX 75VUSA	GX 75 2HUSA	GX 75 2H2VUSA
Référence	7 901 01 12 44 3	7 901 01 12 23 3	7 901 02 12 44 3	7 901 02 12 23 3
Vitesse de rotation en marche à vide [tr/min]	3 450	3 450	1 725/3 450	1 725/3 450
Puissance absorbée [W]	3 000	3 000	1 500/2 000	1 500/2 000
Tension [V]	3 x 440	3 x 220	3 x 440	3 x 220
Fréquence [Hz]	60	60	60	60
Vitesse de la bande abrasive [m/s]	7 084	7 084	3 542/6 691	3 542/6 691
Poids suivant EPTA-Procédure 01/2003 [kg]	143,1	143,1	147,5	147,5
Classe de protection	I/⊕	I/⊕	I/⊕	I/⊕
Longueur de la bande [inch]	78,7	78,7	78,7	78,7
Largeur de la bande [inch]	2,95	2,95	2,95	2,95

Valeurs d'émission acoustique.

Mesure réelle (A) du niveau d'intensité acoustique pondéré L_{wA} (re 1 pW), en décibel : 85

Incertitude K_{wA} , en décibel : 3

Mesure réelle (A) du niveau de pression acoustique sur le lieu de travail L_{pA} (re 20 μ Pa), en décibel : 74

Incertitude K_{pA} , en décibel : 3

REMARQUE : La somme de la valeur d'émission mesurée et de l'incertitude constitue la limite supérieure des valeurs qui peuvent apparaître pendant des mesurages.



Porter une protection acoustique !

4. Indications de montage.

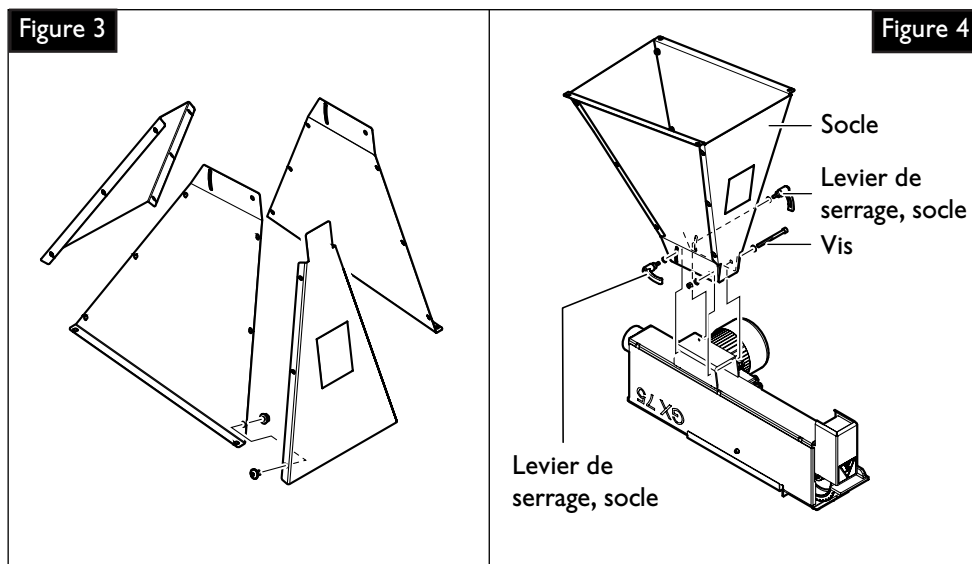
⚠ AVERTISSEMENT Avant d'effectuer des travaux sur l'appareil, retirer la fiche de la prise du courant.

Monter le socle conformément à la figure. (Figure 3)

Déposer l'appareil sur le sol, la face supérieure orientée vers le bas, et monter le socle conformément à la figure et aux instructions se trouvant sur le DVD. (Figure 4)

⚠ AVERTISSEMENT En raison du risque d'accident, ce travail doit être effectué par des personnes physiquement capables de soulever le poids important de l'appareil.

A l'aide de vis/chevilles appropriées, fixer le socle sur le sol. La fixation doit satisfaire aux forces générées pendant le travail.



5. Branchement électrique (voir annexes).

⚠ AVERTISSEMENT Tension dangereuse



Toucher un tel câble peut provoquer un choc électrique ou des brûlures.

La machine n'est pas équipée d'une fiche de secteur pour être raccordée à l'alimentation en courant. Le raccordement électrique qui doit être fourni par le client doit être effectué par un électricien qualifié.

Respecter la tension du réseau : La tension et la fréquence de la source de tension doivent correspondre aux indications relevées sur la plaque signalétique de l'appareil.

Avant la première mise en service, contrôler le sens de rotation du moteur. Seul un électricien professionnel a le droit d'inverser le sens de rotation.

6. Utilisation de l'appareil.

La ponçeuse à bande GX est une ponçeuse multi-fonctions qui a été conçue spécialement pour le ponçage de métaux. La ponçeuse peut être utilisée en connexion avec d'autres modules pour des opérations de ponçage spéciales.

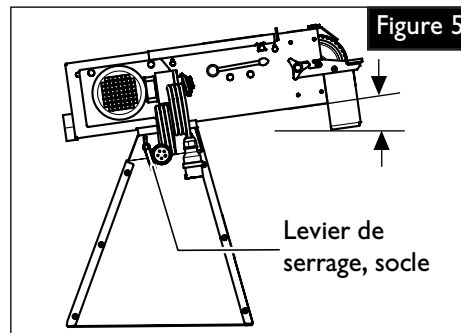
La ponceuse est conçue pour un usage industriel, à l'intérieur, dans un environnement non humide. La ponceuse n'est prévue que pour le ponçage de métaux et non pour le ponçage de bois ou de matières plastiques.

7. Réglages.

⚠ AVERTISSEMENT Avant d'effectuer des travaux sur l'appareil, retirer la fiche de la prise du courant.

7.1 Régler l'inclinaison (Figure 5).

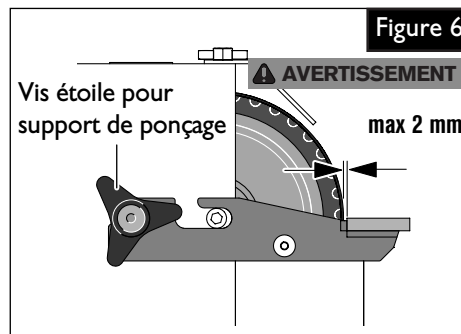
- Desserrer les deux leviers de serrage. Régler l'appareil à la hauteur de travail nécessaire.
- Resserrer les deux leviers de serrage.



7.2 Ajuster le support de ponçage (Figure 6).

⚠ AVERTISSEMENT La distance d'écartement doit être réglée conformément à la mesure des pièces à usiner. Les pièces à usiner trop minces peuvent être happées par la machine et provoquer de graves blessures ou même entraîner la mort.

- Desserrer la vis étoile et régler la cote de la fente sur **2 mm max.**
- Resserrer la vis étoile.



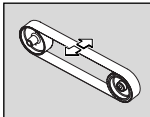
7.3 Ajuster le support de ponçage pour surfaces planes (Figure 7).

⚠ AVERTISSEMENT La distance d'écartement doit être réglée conformément à la mesure des pièces à usiner. Les pièces à usiner trop minces peuvent être happées par la machine et provoquer de graves blessures ou même entraîner la mort.

Lors du ponçage de surfaces planes, le support doit être ajusté en parallèle à la bande abrasive et la toucher sur toute sa surface.

- Desserrer la vis et abaisser le capot latéral.
- Desserrer les vis et ajuster le support de ponçage pour surfaces planes. Resserrer les vis.
- Fermer le capot latéral et resserrer la vis.

7.4 Centrage de la bande (Figure 8).



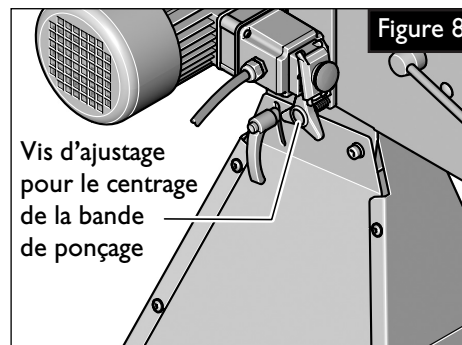
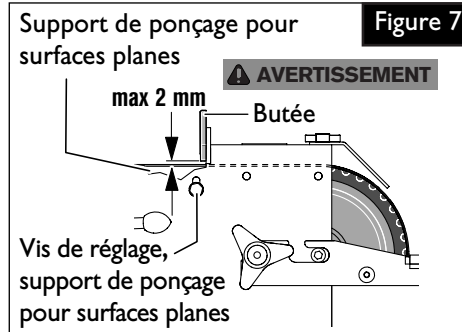
Mettre **brèvement** l'appareil en marche et contrôler si bande est bien centrée.

A l'aide de la vis étoile, ajuster la bande pour la mettre au centre, si la bande va vers la droite ou vers la gauche.

Au cas où la bande ne se laisse pas centrer :

- Nettoyer la roue d'entraînement et la roue de contact avec de l'air comprimé.
- Contrôler si la roue d'entraînement et la roue de contact présentent des signes d'usure ou de déformation. Faire immédiatement remplacer les parties endommagées !

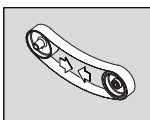
! Contrôler la cote de la fente sur la butée (max 2 mm).



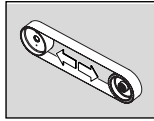
8. Changement de la bande (Figures 1 + 2).

⚠ AVERTISSEMENT Avant d'effectuer des travaux sur l'appareil, retirer la fiche de la prise du courant.

- Dévissez la vis à poignée-étoile et ouvrez le couvercle de protection supérieur.
- Desserrer la vis et abaisser le capot latéral.
- Desserrer la vis étoile et retirer la boîte à copeaux .
- Enlever la vieille bande abrasive.
- Avant de placer la nouvelle bande abrasive, tenir compte de l'indication du sens de marche se trouvant au dos de la bande abrasive ! Il doit coïncider avec le sens de rotation de la roue d'entraînement.
- Placer la bande abrasive sur la roue d'entraînement et, en même temps, sur la roue de contact.



Basculer le levier vers le bas afin de détendre le dispositif de serrage.



Basculer le levier vers le haut afin de tendre la bande abrasive.

- Fermer le capot latéral et resserrer la vis.

- Refermez le couvercle de protection supérieur et serrez la vis à poignée-étoile.
- Monter la boîte à copeaux et contrôler la cote de la fente du support de ponçage.
- Mettre l'appareil en marche et ajuster la bande.

9. Instructions pour le service.

ATTENTION Ne jamais toucher la bande abrasive en rotation. Il y a un risque de blessures.



Portez toujours des lunettes de protection. Utilisez également une protection faciale ou une protection anti-poussière, si la coupe génère de la poussière. Les lunettes normales ont des lentilles qui résistent aux chocs, mais ne sont PAS des lunettes de protection.

Utilisez un équipement de protection approprié.

Portez des gants de sécurité en cuir, un tablier en cuir et des chaussures de sécurité. Portez un masque antipoussière ainsi qu'une protection acoustique.

Placez la pièce à usiner en dessous de la ligne médiane horizontale de la roue de contact sur la bande de ponçage. Si vous la placez au dessus de la ligne médiane, elle bougera, sera difficile à tenir et rebondira probablement.

Guidez la pièce à usiner en usant d'une butée dirigée vers le haut contre la bande de ponçage.

Cette méthode améliore la coupe et augmente la sécurité car elle vous permet de garder vos mains éloignées de la bande de ponçage.

9.1 Mise en fonctionnement : (Figure 9)

- Déverrouiller la touche d'arrêt d'urgence et l'ouvrir. Appuyer sur la touche « I ».

9.2 Arrêt : (Figure 9)

- Ouvrir la touche d'arrêt d'urgence. Appuyer sur la touche « 0 ».

⚠ Une fois éteint, l'appareil continue à tourner pendant 50 secondes environ.

9.3 Touche Arrêt d'urgence : (Figure 9)

- Dans des situations dangereuses, appuyer sur la touche d'arrêt d'urgence afin d'arrêter l'appareil.

9.4 Modifier la vitesse de rotation (Figure 9 – Modèles 2H).

- Position du commutateur 1 : faible vitesse de rotation
- Position du commutateur 2 : vitesse de rotation élevée

⚠ La vitesse de rotation ne doit être modifiée qu'au moyen du commutateur et quand l'appareil est à l'arrêt.

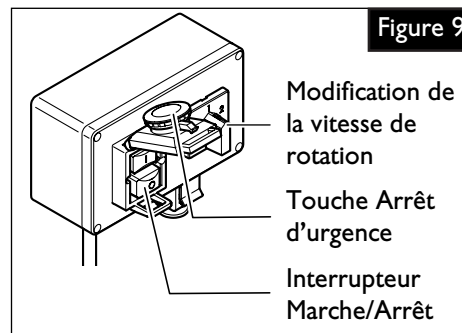


Figure 9

Modification de la vitesse de rotation

Touche Arrêt d'urgence

Interrupteur Marche/Arrêt

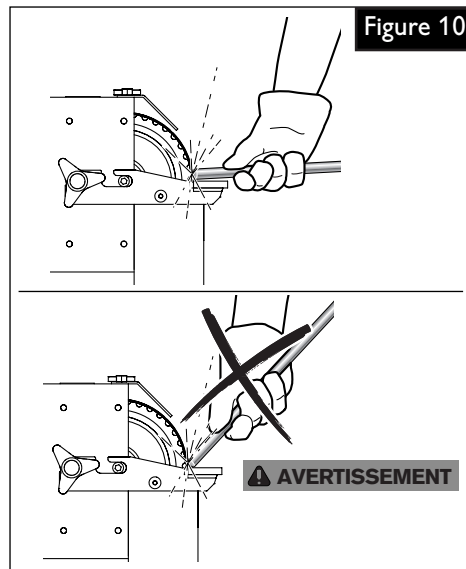
9.5 Protection contre surcharge.

Dans le cas d'une forte sollicitation continue, l'appareil s'éteint. Après un temps de refroidissement de 15 minutes environ, l'appareil est de nouveau prêt à fonctionner.

9.6 Dressage (Figure 10).

⚠ AVERTISSEMENT La pièce à usiner doit toujours être bien posée sur le support de ponçage et la butée. Ne pas travailler de pièces trop petites ou trop minces. Il y a un risque de blessures dû à des pièces qui sont happées par la machine.

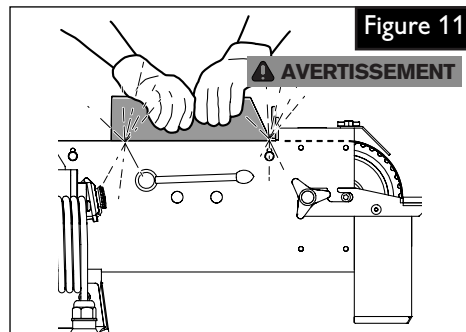
- S'assurer que la vis étoile est bien serrée.
- S'assurer que le capot de protection supérieur est bloqué à l'aide de la vis étoile et que le capot latéral est fermé.
- Contrôler la cote de la fente du support de ponçage.
- Contrôler la position du support de ponçage pour surfaces planes. Les vis doivent se trouver dans la position inférieure.
- Contrôler si les vis papillon de l'écran protecteur sont bien serrées.
- Mettre l'appareil en marche et contrôler le centrage de la bande.
- Bien poser la pièce sur le support de ponçage.
- Guider la pièce des deux mains ou la bloquer dans un dispositif.



9.7 Ponçage de surfaces planes (Figure 11).

⚠ AVERTISSEMENT Toujours tenir la pièce à usiner des deux mains. La pièce à usiner doit toujours être placée sur le support de ponçage et la butée. Ne pas travailler de pièces trop petites ou trop minces. Il y a un risque de blessures dû à des pièces qui sont happées par la machine ou bien qui rebondissent.

- Desserrer les vis étoiles et enlever le capot de protection supérieur.
- S'assurer que la cote de la fente est bien réglée. (Figure 7)
- Mettre l'appareil en marche et contrôler le centrage de la bande.
- Guider la pièce des deux mains et, une fois l'opération terminée, l'enlever vers le haut. (Figure 11)



9.8 Dispositif d'aspiration (Figure 2)

- Il est possible de raccorder l'appareil au moyen de la tubulure à un dispositif d'aspiration.

10. Entretien.

AVERTISSEMENT Tension dangereuse



Toucher un tel câble peut provoquer un choc électrique ou des brûlures.

Pour les travaux d'entretien et de réparation, retirer la fiche de la prise de courant ! Le fait de mettre en marche l'appareil par mégarde peut entraîner de graves blessures.

10.1 Service après-vente.

AVERTISSEMENT **Ne faire effectuer les travaux d'entretien que par des personnes qualifiées.** Les câbles et éléments mal montés peuvent présenter des risques graves. Ne faire effectuer le service d'entretien nécessaire que par une station de service après-vente FEIN.

Pour des travaux de réparation, nous vous recommandons le service après-vente FEIN, l'atelier agréé FEIN ainsi que les représentants FEIN.



! Si un câble d'alimentation de l'outil électrique est endommagé, il doit être remplacé par une personne qualifiée par un câble d'alimentation spécialement préparé qui est disponible auprès du service après-vente de FEIN.

10.2 Nettoyage.

AVERTISSEMENT **Afin d'éviter des accidents, débrancher l'appareil avant d'effectuer un nettoyage ou des travaux d'entretien ou de maintenance.** Le mieux est de nettoyer l'appareil électrique à l'air comprimé sec. **Lors du nettoyage de l'appareil électrique à l'air comprimé, toujours porter des lunettes de protection.**

Les ouïes de ventilation et les éléments de commande doivent être propres et ne doivent pas être bloqués par d'autres objets. Ne pas essayer de nettoyer les ouïes à l'aide d'objets aigus.

Effectuer régulièrement les travaux d'entretien suivants :

-  Souffler de l'air comprimé dans les ouïes d'air de ventilation sur le carter-moteur et sur les endroits marqués (voir plaque d'avertissement).
-  Graisser chaque jour l'appareil avec de l'huile aux endroits marqués (voir plaque d'avertissement).
- A chaque remplacement de la bande abrasive, contrôler si la roue d'entraînement et la roue de contact présentent des signes d'usure et des endommagements. Faire remplacer les parties endommagées.

11. Garantie.

Pour le produit, la garantie vaut conformément à la réglementation légale en vigueur dans le pays où le produit est mis sur le marché.

Outre les obligations de garantie légale, les appareils FEIN sont garantis conformément à notre déclaration de garantie de fabricant. Pour plus de précisions, veuillez vous adresser à votre revendeur spécialisé, à votre représentant FEIN dans votre pays ou auprès du service après-vente FEIN.

12. Protection de l'environnement, élimination.

La machine doit suivre une voie de recyclage conformément aux prescriptions nationales en vigueur.



fr

GX 75



13. Branchement électrique.

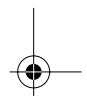
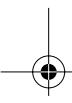
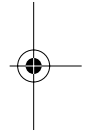
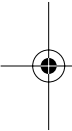
⚠ AVERTISSEMENT Tension dangereuse



Toucher un tel câble peut provoquer un choc électrique ou des brûlures.

Assurez-vous lors du raccordement de la machine qu'elle est mise à la terre conformément aux prescriptions nationales et locales en vigueur. Ce travail ne doit être effectué que par un électricien qualifié.

Cette machine doit être mise à la terre afin de protéger l'utilisateur contre les risques de choc électrique. Cette machine est dotée d'un cordon trifilaire et d'une fiche de terre triphasée ; on doit raccorder la fiche à une prise correctement mise à la terre. Ne jamais raccorder le fil vert (ou vert et jaune) à une borne sous tension. Si votre machine est destinée à être raccordée à une source de tension triphasée de 220/440 V, la connexion à l'alimentation en courant doit être effectuée ainsi qu'illustré dans la figure au moyen d'un câble 4 conducteurs. Lors du raccordement, s'assurer du bon sens de rotation du moteur. Pour modifier le sens de rotation, il faut inverser deux phases. Le conducteur vert est toujours le fil de mise à la terre, et ne doit jamais être connecté à une borne sous tension. Ce travail ne doit être effectué que par un électricien qualifié.



Índice

1. Para su seguridad	32
1.1 Instrucciones generales de seguridad.....	32
1.2 Indicaciones sobre seguridad eléctrica.....	33
1.3 Instrucciones de seguridad específicas para lijadoras de banda	33
2. Simbología	35
3. Descripción técnica y especificaciones	37
4. Instrucciones de instalación	39
5. Conexión eléctrica (ver anexo)	39
6. Uso reglamentario de la máquina.....	40
7. Ajustes	40
7.1 Ajuste de la inclinación.....	40
7.2 Ajuste de la base lijadora	40
7.3 Ajuste de la base plana	41
7.4 Ajuste del curso de la banda	41
8. Cambio de la banda de lija	41
9. Instrucciones de manejo	42
9.1 Conexión:	42
9.2 Desconexión:.....	42
9.3 Tecla de parada de emergencia:.....	42
9.4 Cambio de velocidad (Modelos 2H)	42
9.5 Protección contra sobrecarga	42
9.6 Lijado frontal.....	43
9.7 Planificado	43
9.8 Dispositivo de aspiración	43
10. Mantenimiento	44
10.1 Servicio técnico	44
10.2 Limpieza.....	44
11. Garantía	44
12. Protección del medio ambiente, eliminación.....	44
13. Conexión eléctrica.....	45

1. Para su seguridad.

ADVERTENCIA Lea íntegramente estas advertencias de peligro e instrucciones. En caso de no atenerse a las advertencias de peligro e instrucciones siguientes, ello puede ocasionar una descarga eléctrica, un incendio y/o lesión grave.
Guardar todas las advertencias de peligro e instrucciones para futuras consultas.

No utilice esta herramienta eléctrica sin haber leído antes a fondo y haber entendido íntegramente estas instrucciones de uso, inclusive las figuras, especificaciones, reglas de seguridad y las indicaciones de PELIGRO, ADVERTENCIA y ATENCIÓN.

Solamente use esta herramienta eléctrica para realizar los trabajos que FEIN ha previsto para la misma. Únicamente utilice las herramientas y accesorios de aplicación autorizados por FEIN.

Observe también las respectivas prescripciones contra accidentes de trabajo vigentes en su país.

En caso de no atenerse a las instrucciones de seguridad mencionadas en la documentación previamente citada, ello puede provocar una electrocución, incendio y/o lesión grave.

Guarde estas instrucciones de manejo para posteriores consultas y entréguelas al usuario en caso de prestar o vender la máquina.

GUARDAR ESTAS INSTRUCCIONES EN UN LUGAR SEGURO.

1.1 Instrucciones generales de seguridad.

ADVERTENCIA ¡Antes de realizar trabajos de mantenimiento y reparación quitar el enchufe de la red! Si la máquina se conecta por error, puede sufrir graves lesiones. Evite una conexión fortuita asegurándose primero de que el interruptor se encuentra en la posición de “desconexión” antes de conectar la máquina.

Debe ponerse siempre unas gafas de protección al trabajar con la máquina. Las gafas de protección, además de ser resistentes a los golpes, deberán llevar lentes de seguridad y una protección lateral según ANSI Z87.1. Las gafas de protección que no cumplan la ANSI Z87.1 pueden romperse y provocar graves lesiones.



Póngase siempre unas gafas de protección. Utilice además una protección facial o una mascarilla si se genera polvo al realizar el corte. Las lentes de las gafas comunes solamente protegen contra los impactos y NO son gafas de seguridad.

Utilice un equipo de protección apropiado. Póngase guantes de seguridad de cuero, un mandil de cuero y zapatos de seguridad. Colóquese una mascarilla antipolvo y unos protectores auditivos.

Lleve puesta una indumentaria de trabajo adecuada. No utilice prendas de vestir holgadas, guantes, corbatas, anillos, pulseras u otro tipo de joyas que puedan engancharse con las piezas en movimiento. Se recomienda calzado con suela antideslizante. Recójase el cabello largo con un gorro de protección.

No desmonte las cubiertas de protección y cuide que funcionen correctamente. No utilice la máquina sin tener montadas todas las cubiertas de protección. Tenga sus manos siempre a la vista y distanciadas de los útiles de corte o superficies en rotación.

Retire los útiles de ajuste y las llaves. Hábitese a controlar siempre si ha retirado todos los útiles de ajuste y llaves antes de conectar la máquina.

Mantenga limpio y ordenado su puesto de trabajo. Las mesas y superficies desordenadas fomentan los accidentes.

No utilizar en un entorno peligroso. No use herramientas eléctricas en un entorno húmedo o mojado, ni tampoco las exponga a la lluvia. Mantenga bien iluminado su puesto de trabajo. Utilice dispositivos eléctricos especiales al trabajar materiales inflamables.

Mantener fuera del alcance de los niños. Cuide que personas ajenas mantengan una distancia segura respecto al área de trabajo.

Observe que su taller sea seguro para los niños bloqueando los interruptores principales con candados.

No fuerce la máquina. Trabaja con mayor eficacia y seguridad si no carga en exceso la máquina.
Utilice la máquina apropiadamente. No intente emplear la máquina o los accesorios para llevar a cabo trabajos para los que no han sido concebidos.

Proceda con cautela. Trabaje sobre una base firme y mantenga una posición estable. Si Ud. pierde el equilibrio podría resbalar y caer sobre la máquina, o su ropa podría quedar atrapada en la máquina.

Realice un mantenimiento cuidadoso. Mantenga limpia su máquina para trabajar con eficacia y seguridad. Atégase a las instrucciones para la lubricación y el cambio de los accesorios.

Desenchufe la máquina antes de realizar el mantenimiento o cambiar de accesorios.

Reduzca el riesgo de una puesta en marcha accidental. Asegúrese de que el interruptor está desconectado antes de enchufar la máquina.

Únicamente use los accesorios recomendados. Consulte en las instrucciones de manejo los accesorios recomendados. La utilización de accesorios inapropiados puede ser causa de accidentes.

Nunca se coloque encima de la máquina. Podría lesionarse gravemente si la máquina vuelca o si Ud. llega a tocar la banda de lija.

Controle si existen piezas dañadas. Antes de seguir usando la máquina, comprobar con detenimiento si un dispositivo de protección o pieza deteriorados trabaja y de forma correcta y reglamentaria. Observar que las piezas móviles estén bien alineadas y que puedan moverse libremente, que no existan piezas rotas, o sujetas incorrectamente, ni otras condiciones que pueden afectar su correcto funcionamiento.

Sentido de avance. Alimente la máquina siempre en sentido opuesto al de rotación del útil de lijar.

Nunca deje la máquina funcionando sin vigilancia. No se aleje de la máquina sin que se haya detenido por completo.

1.2 Indicaciones sobre seguridad eléctrica

⚠ ADVERTENCIA El enchufe de la máquina solamente deberá ser montado por un electricista cualificado. El conductor de protección de la toma de corriente deberá estar conectado a la toma de tierra de la red.

Antes de la primera puesta en marcha verifique el sentido de giro del motor. Si el sentido de giro fuese incorrecto, ello puede provocar que la pieza salga proyectada y cause un accidente. La inversión del sentido de giro solamente deberá ser realizado por un electricista.

Al conectar la máquina asegurarse que la toma de tierra cumple con las reglas y directrices nacionales y locales correspondientes. Este trabajo deberá ser realizado por un electricista cualificado.

1.3 Instrucciones de seguridad específicas para lijadoras de banda

⚠ ATENCIÓN Coloque el bastidor de manera que quede en posición firme y horizontal. Fije el bastidor al suelo. En caso de que el bastidor vuelque durante el trabajo, ello puede ocasionar lesiones graves.

Para acoplar la máquina al bastidor utilice el material de sujeción adecuado para ello. Un montaje incorrecto puede acarrear serios accidentes, ya que la máquina puede aflojarse durante el proceso de trabajo.

Siempre utilice los dispositivos de protección que lleva la máquina. Los dispositivos de protección deberán estar montados firmemente en la máquina para alcanzar una seguridad máxima.

Los dispositivos de seguridad tienen la misión de proteger al usuario de las partículas proyectadas y del contacto fortuito con la banda de lija.

Preste atención a que las chispas proyectadas no puedan dañar a ninguna persona. Retire los materiales combustibles que se encuentren cerca. Al lijar metales se proyectan chispas.

⚠ PELIGRO Al lijar metales (p. ej. aluminio o magnesio) se produce polvo que puede ser inflamable o explosivo. No utilice la máquina cerca de materiales combustibles. Las chispas que se producen al trabajar pueden llegar a incendiar estos materiales.

Al lijar metales se producen partículas incandescentes de metal o de la propia banda de lija que son recogidas en la caja colectora de polvo. Antes de vaciar la caja colectora de polvo es necesario que su contenido se haya enfriado suficientemente, además de emplear recipientes adecuados para tal fin.

No trate de quitar el polvo de la máquina mientras ésta esté funcionando. La limpieza de la máquina deberá realizarse siempre estando ésta detenida.

Tome unas medidas de precaución adicionales en materiales de lijar que sean combustibles o tóxicos. Consulte siempre al fabricante para saber cómo lijar y manipular estos tipos de material.

Nunca se coloque Ud., ni otras personas, directamente junto a la banda de lija al conectar la máquina. La banda de lija puede romperse y causar lesiones graves.

No emplee bandas de lija desgastadas, rasgadas ni embazadas. Trate cuidadosamente las bandas de lija y guárdelas siguiendo las instrucciones del fabricante. ¡No doble las bandas de lija! Las bandas de lija dañadas pueden rasgarse y salir proyectadas pudiendo causar un accidente.

Antes de su uso, es necesario almacenar todas las bandas de lija en un clima controlado. La humedad del aire deberá estar entre 35 y 50 % y la temperatura entre 60 y 80 ° F. De lo contrario, la banda podría deteriorarse prematuramente.

No utilice bandas de lija con bordes desgarrados o cortados, que estén dobladas, o aquellas dañadas por un uso inapropiado. La banda de lija podría romperse al utilizarla.

Consulte las indicaciones del proveedor de la banda de lija sobre las velocidades para tratar diferentes materiales. El usuario deberá asegurarse de que la máquina no gire a más revoluciones que las permitidas para la banda de lija empleada.

No emplee bandas de lija ni accesorios especiales que no hayan sido especialmente desarrollados u homologados por el fabricante. El mero hecho de que sea montable una banda de lija o accesorio en la máquina, no supone que su funcionamiento sea seguro.

Observe que la banda de lija cubra por completo la polea de contacto. Una polea de contacto parcialmente cubierta puede hacer que la pieza de trabajo sea arrastrada hacia la máquina y expulsada con violencia.

Controle el curso de la banda girándola a mano. Arranque brevemente el motor para ajustar el curso de la banda. Un arranque repentino, con el motor trabajando a plena potencia, podría provocar que la banda de lija se salga de la máquina.

Controle el ruido que genera la banda de lija al funcionar. Si percibe un clic o golpeteo, desconecte la máquina para examinar si ésta o la banda están dañadas. Antes de comenzar a lijar, verifique si el eje de la máquina gira correctamente, si se generan unas vibraciones excesivas, o si la polea de contacto oscila lateralmente, si está muy desgastada, o desequilibrada.

En una situación de peligro accione inmediatamente el interruptor de parada de emergencia. La máquina sigue en marcha por inercia unos 50 s.




Limpie periódicamente las rejillas de refrigeración de la máquina. El ventilador del motor aspira polvo hacia el interior de la carcasa. En caso de acumularse polvo de metal en exceso, ello puede provocar al usuario una descarga eléctrica.

2. Simbología.

Símbolo	Término, significado	Definición
	Acción	Acto realizado por el usuario
	Señal preceptiva general	¡Seguir las instrucciones indicadas al margen!
	Leer documentación	Imprescindible leer los documentos que se adjuntan, como las instrucciones de uso y las instrucciones generales de seguridad.
	Usar una protección para los ojos	Al trabajar protegerse los ojos. (ANSI Z87.1, categoría 2)
	Emplear unos protectores auditivos	Al trabajar utilizar un protector de oídos. (ANSI Z87.1, categoría 2)
	Usar una protección contra el polvo	Al trabajar protegerse del polvo. (ANSI Z87.1, categoría 2)
	Emplear una protección para las manos	Al trabajar utilizar una protección para las manos. (ANSI Z87.1, categoría 2)
	No es permisible arrojar el producto a la basura.	Acumular por separado las herramientas eléctricas y demás productos electrotécnicos y eléctricos inservibles y someterlos a un reciclaje ecológico.
	PELIGRO	Este símbolo advierte sobre una situación peligrosa inminente. Un comportamiento incorrecto puede dar lugar a una lesión grave o incluso mortal.
	ADVERTENCIA	Este símbolo advierte sobre una situación peligrosa que puede comportar lesiones graves o mortales.
	ATENCIÓN	Este símbolo advierte sobre una situación peligrosa en la que pudiera lesionarse.
	Tensión peligrosa	Podría recibir una descarga eléctrica o sufrir quemaduras.
	Ajuste de la banda de lija	Indica información sobre el ajuste de la banda.
	Banda de lija tensada	Indica información sobre el ajuste de la banda.
	Banda de lija aflojada	Indica información sobre el ajuste de la banda.

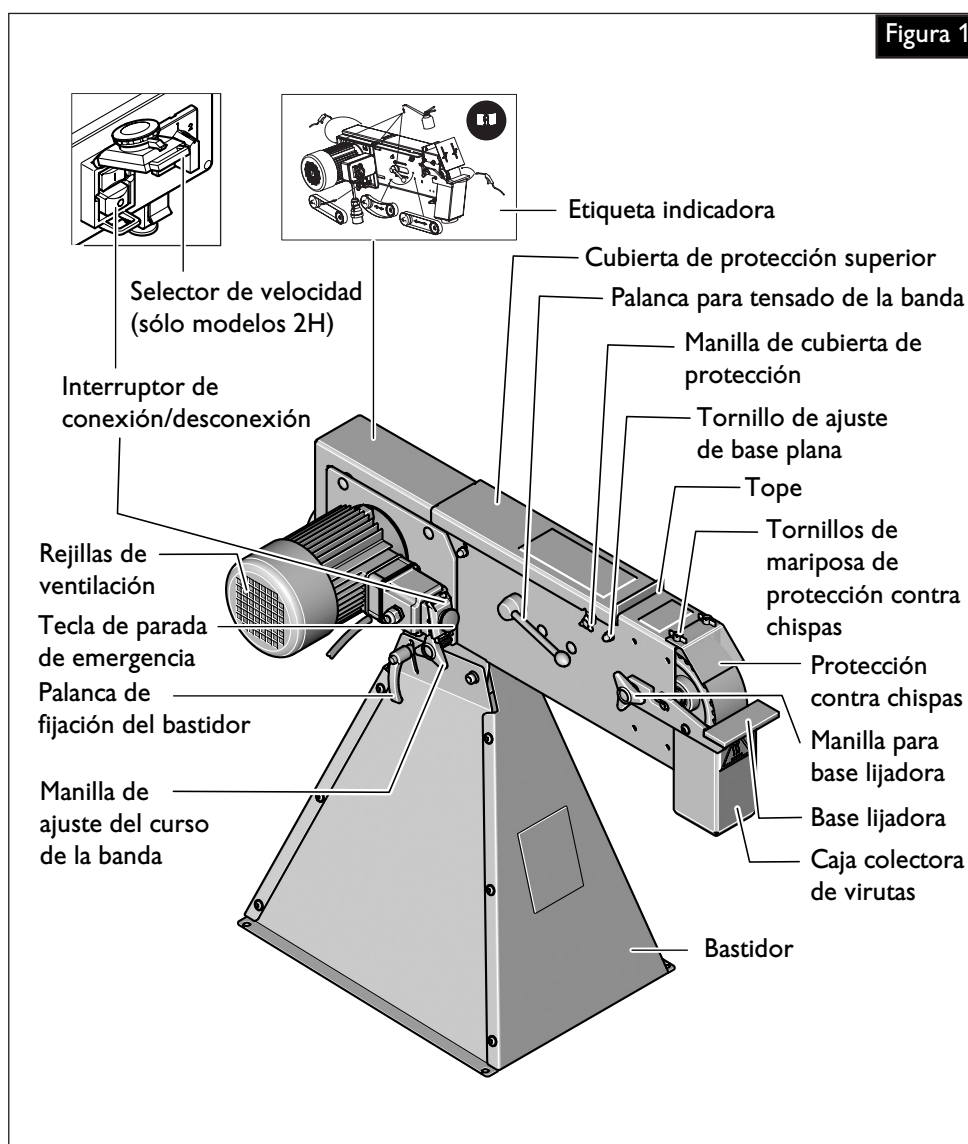
es

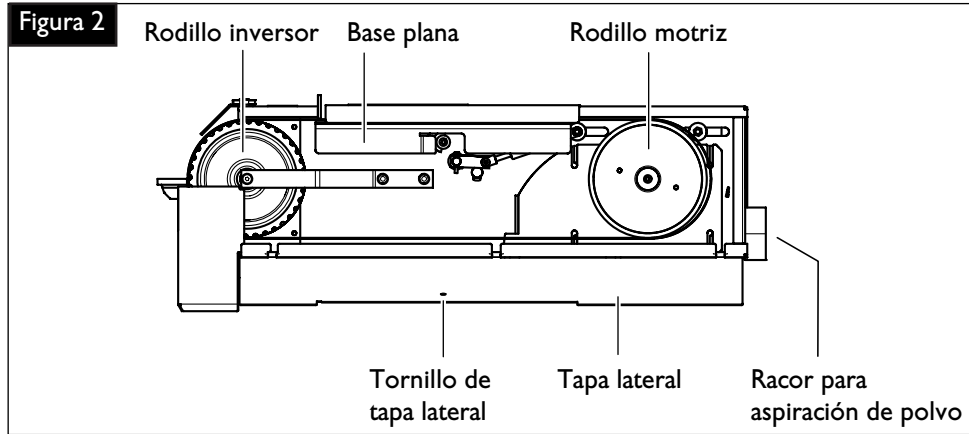
GX 75

Símbolo	Término, significado	Definición
	Lubricación	Lubricar la máquina en los puntos indicados.
	Aire comprimido	Limpiar la máquina con aire comprimido en los puntos marcados.
	Clase de protección I	Producto dotado con un aislamiento básico en combinación con la conexión adicional al conductor de protección de todas las piezas conductoras que puedan tocarse.
mm	Milímetros	Unidad de medida para la longitud, anchura, altura o profundidad
kg	Kilogramos	Unidad de medida de la masa
V	Voltios	Unidad de medida de la tensión eléctrica
A	Amperios	Unidad de medida de la intensidad
W	Vatios	Unidad de medida de la potencia
min	Minutos	Unidad de medida del tiempo
°	Grado	Unidad de medida del ángulo
~ o a.c.	Tipo de corriente	Corriente alterna
1 ~	Tipo de tensión de red	Corriente alterna monofásica
n_0	R.p.m. en vacío	Revoluciones en vacío
1/min	por minuto	Unidad de medida del nº de vueltas, nº de carreras, frecuencia de percusión u oscilaciones por minuto
Ø	Diámetro	Diámetro de una pieza redonda

3. Descripción técnica y especificaciones

ADVERTENCIA Saque la clavija del enchufe antes de montar o cambiar los útiles y accesorios. Esta medida de seguridad preventiva evita los accidentes que pudieran presentarse en caso de una puesta en marcha involuntaria.





Tipo	GX 75USA			GX 75VUSA			GX 75 2HUSA			GX 75 2H2VUSA		
Nº de pedido	7 901 01 12 44 3	7 901 01 12 23 3	7 901 02 12 44 3	7 901 02 12 23 3	7 901 02 12 44 3	7 901 02 12 23 3	7 901 02 12 44 3	7 901 02 12 23 3	7 901 02 12 44 3	7 901 02 12 23 3	7 901 02 12 23 3	
R.p.m. en vacío [min ⁻¹]	3 450			3 450			1 725/3 450			1 725/3 450		
Potencia absorbida [W]	3 000			3 000			1 500/2 000			1 500/2 000		
Tensión [V]	3 x 440			3 x 220			3 x 440			3 x 220		
Frecuencia [Hz]	60			60			60			60		
Velocidad de la banda de lija [m/s]	7 084			7 084			3 542/6 691			3 542/6 691		
Peso según EPTA-Procedure 01/2003 [kg]	143,1			143,1			147,5			147,5		
Clase de protección	I/⊕			I/⊕			I/⊕			I/⊕		
Longitud de la banda de lija [inch]	78,7			78,7			78,7			78,7		
Anchura de la banda de lija [inch]	2,95			2,95			2,95			2,95		

Valores de emisión de ruido.

Nivel de potencia acústica L_{WA} (re 1 pW) medido con filtro A, en decibelios: 85

Inseguridad K_{WA} , en decibelios: 3

Nivel de presión de sonido L_{pA} (re 20 µPa) medido con filtro A en el puesto de trabajo, en decibelios: 74

Inseguridad K_{pA} , en decibelios: 3

OBSERVACIÓN: la suma de los valores emitidos medidos, considerando la inseguridad respectiva, representa el límite superior que puede alcanzarse en las mediciones.

¡Utilizar unos protectores auditivos!

4. Instrucciones de instalación.

ADVERTENCIA Antes de cualquier manipulación en la máquina extraiga el enchufe de red.

Monte el bastidor inferior según figura. (Figura 3)

Deposite la máquina sobre el suelo con el lado superior boca abajo, y monte el bastidor según la figura y las instrucciones en el DVD. (Figura 4)

ADVERTENCIA Debido al peligro de accidente, este trabajo deberá ser realizado por personas con un capacitación física suficiente para elevar el gran peso de la máquina.

Fije el bastidor al suelo empleando unos tacos y tornillos adecuados. La sujeción deberá soportar las fuerzas que se presenten durante el trabajo.

Figura 3

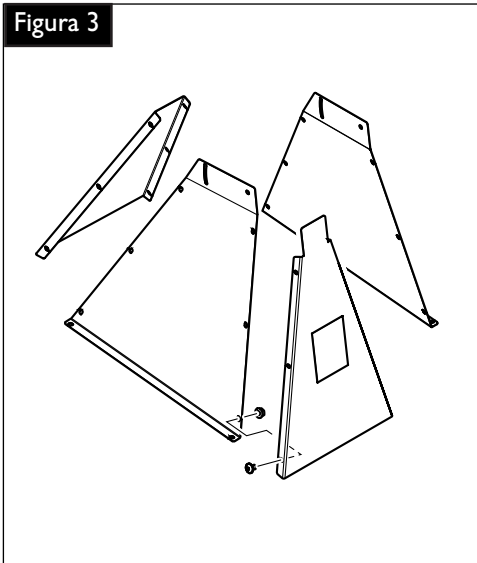
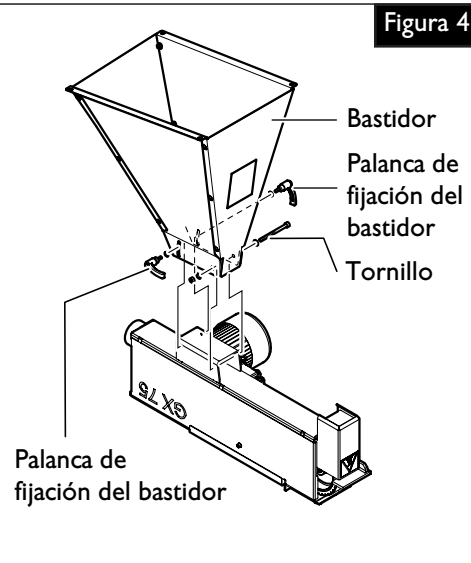


Figura 4



5. Conexión eléctrica (ver anexo).

ADVERTENCIA Tensión peligrosa



Podría recibir una descarga eléctrica o sufrir quemaduras.

La máquina no está provista con un enchufe, y deberá conectarse a la red. La instalación deberá realizarse por un electricista cualificado.

Observar la tensión de red: La tensión y frecuencia de la alimentación deberán coincidir con las indicaciones de la placa de características de la máquina.

Antes de la primera puesta en marcha verifique el sentido de giro del motor. La inversión del sentido de giro solamente deberá ser realizado por un electricista.

6. Uso reglamentario de la máquina.

La lijadora de banda GX es una máquina multifuncional especialmente diseñada para lijar metal. A la máquina de lijar pueden acoplarse unos módulos opcionales para realizar trabajos de lijado especiales.

La máquina de lijar ha sido diseñada para ser utilizada en interiores exentos de humedad.

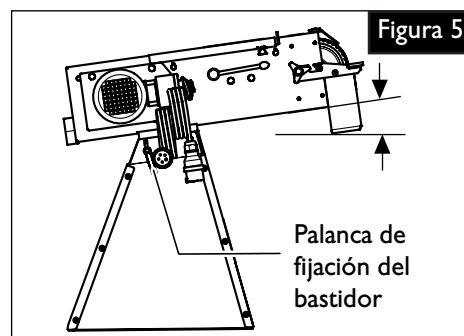
La máquina de lijar ha sido construida para lijar metal y no deberá usarse para lijar madera ni plástico.

7. Ajustes.

ADVERTENCIA Antes de cualquier manipulación en la máquina extraiga el enchufe de red.

7.1 Ajuste de la inclinación (Figura 5).

- Afloje ambas palancas de sujeción. Ajuste la máquina a la altura de trabajo requerida.
- Apriete de nuevo ambas palancas de sujeción.

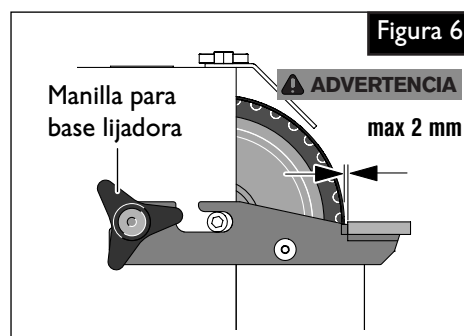


7.2 Ajuste de la base lijadora (Figura 6).

ADVERTENCIA La ranura deberá ajustarse siempre a la medida correcta.

Las piezas podrían ser arrastradas hacia la máquina y provocar lesiones serias o incluso muy graves.

- Afloje la manilla y ajuste la ranura a una medida de **2 mm, máx.**
- Apriete nuevamente la manilla.



7.3 Ajuste de la base plana (Figura 7).

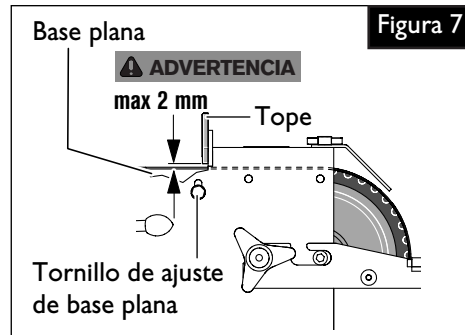
⚠ ADVERTENCIA La ranura deberá ajustarse siempre a la medida correcta.

Las piezas podrían ser arrastradas hacia la máquina y provocar lesiones serias o incluso muy graves.

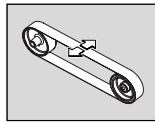
Al planificar una pieza deberá procurarse que la base plana quede paralela a la banda de lija y que mantenga un contacto con ella en toda su superficie.

- Afloje el tornillo y abata hacia abajo la tapa lateral.
- Afloje los tornillos y ajuste la base plana. Apriete de nuevo los tornillos.
- Cierra la tapa lateral y apriete firmemente el tornillo.

! Verifique la medida de la ranura del tope (max 2 mm).



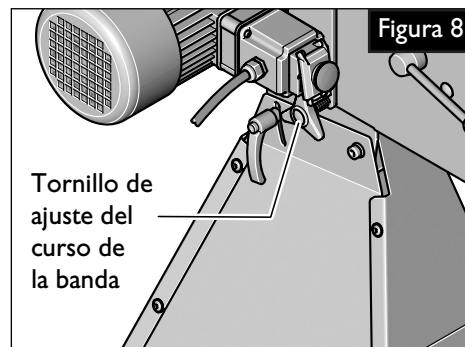
7.4 Ajuste del curso de la banda (Figura 8).



Conecte brevemente la máquina y observe el curso de la banda. Corrija el curso de la banda con la manilla para centrarla en caso de que se desvíe hacia uno de los lados.

Si no fuese posible centrar la banda:

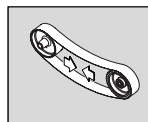
- Limpie el rodillo motriz y la rueda de contacto con aire a presión.
- Inspeccione la rueda motriz en cuanto a desgaste y una posible deformación. ¡Haga sustituir de inmediato las piezas deterioradas!



8. Cambio de la banda de lija (Figuras 1 + 2).

⚠ ADVERTENCIA Antes de cualquier manipulación en la máquina extraiga el enchufe de red.

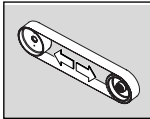
- Afloje el tornillo con forma de estrella y abra la cubierta de protección superior.
- Afloje el tornillo y abata hacia abajo la tapa lateral.
- Afloje la manilla y retire la caja colectora de virutas.



Gire hacia abajo la palanca para destensar la banda.

- Retire la banda de lija desgasta.
- ¡Monte la banda de lija nueva teniendo en cuenta el sentido de marcha indicado en el lado interior! Deberá coincidir con el sentido de giro del rodillo motriz.

- Coloque al mismo tiempo la banda de lija sobre el rodillo motriz y el rodillo de contacto.



Gire hacia arriba la palanca para tensar la banda.

- Cierre la tapa lateral y apriete firmemente el tornillo.
- Cierre la cubierta de protección superior y apriete el tornillo con forma de estrella.
- Monte la caja colectora de virutas y verifique la medida de la ranura de la base lijadora.
- Conecte la máquina y ajuste el curso de la banda.

9. Instrucciones de manejo.

⚠ ATENCIÓN Jamás toque la banda de lija en funcionamiento. Peligro de accidente.



Póngase siempre unas gafas de protección. Utilice además una protección facial o una mascarilla si se genera polvo al realizar el corte. Las lentes de las gafas comunes solamente protegen contra los impactos y NO son gafas de seguridad.

Utilice un equipo de protección apropiado. Póngase guantes de seguridad de cuero, un mandil de cuero y zapatos de seguridad. Colóquese una mascarilla antipolvo y unos protectores auditivos.

Coloque la pieza de trabajo debajo de la línea horizontal central de la polea de contacto de la banda de lija. Si se sitúa encima de la línea central, la pieza de trabajo retiembla, es difícil sujetarla y, además, puede serle arrancada de las manos.

Coloque siempre la pieza de trabajo sobre la banda de lija con un tope orientado hacia arriba.

De esta manera se mejora el arranque de material y aumenta la seguridad, ya que las manos son apartadas de la banda de lija.

9.1 Conexión: (Figura 9)

- Desenclavar y abatir hacia arriba la tecla de parada de emergencia. Pulsar la tecla "I".

9.2 Desconexión: (Figura 9)

- Abatir hacia arriba la tecla de parada de emergencia. Pulsar la tecla "0".
- ⚠ Tras su desconexión, la máquina sigue en marcha por inercia aprox. 50 s.

9.3 Tecla de parada de emergencia: (Figura 9)

- Al presentarse una situación de peligro, pulse la tecla de parada de emergencia para desconectar la máquina.

9.4 Cambio de velocidad (Modelos 2H).

- Conmutador en posición 1: Bajas revoluciones
- Conmutador en posición 2: Altas revoluciones
- ⚠ El cambio de velocidad se realiza con el conmutador, siendo imprescindible que esté detenida la máquina.

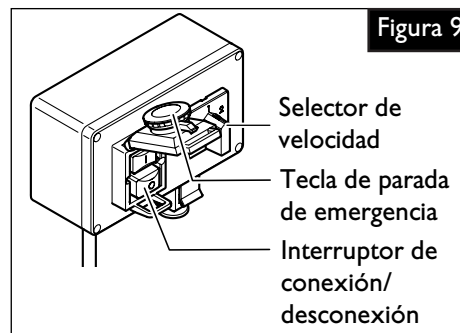


Figura 9

Selector de velocidad
Tecla de parada de emergencia
Interruptor de conexión/desconexión

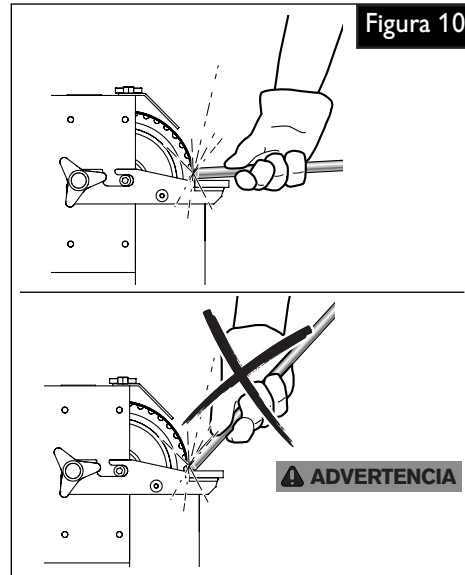
9.5 Protección contra sobrecarga.

La máquina se detiene si es fuertemente solicitada durante un tiempo prolongado. Tras un tiempo de enfriamiento de aprox. 15 minutos vuelve a estar disponible la máquina.

9.6 Lijado frontal (Figura 10).

⚠ ADVERTENCIA La pieza siempre deberá estar posicionada firmemente sobre la mesa de trabajo. No se pueden lijar piezas demasiado delgadas o pequeñas. Podría lesionarse si la pieza de trabajo es arrastrada hacia el interior de la máquina o si es expulsada con violencia.

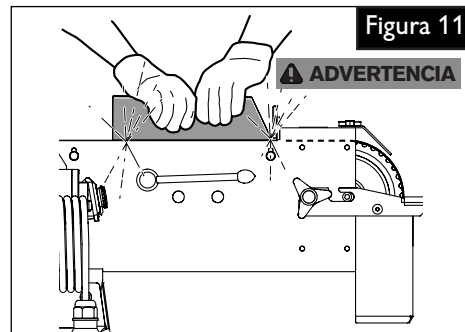
- Asegúrese de que esté firmemente apretada la manilla.
- Cuide que la cubierta de protección superior esté sujeta con la manilla, y que esté cerrada la tapa lateral.
- Verifique la medida de la ranura en la base de lijar.
- Controle la posición de la base plana. Los tornillos deberán encontrarse en la posición inferior.
- Asegúrese de que estén firmemente apretados los tornillos de mariposa de la protección para los ojos.
- Conecte la máquina y controle el curso de la banda.
- Asiente firmemente la pieza sobre la base lijadora.
- Guíe la pieza de trabajo con ambas manos o sujetándola en un dispositivo.



9.7 Planificado (Figura 11).

⚠ ADVERTENCIA Sujete la pieza de trabajo con ambas manos. La pieza siempre deberá estar posicionada firmemente sobre la mesa de trabajo. No se pueden lijar piezas demasiado delgadas o pequeñas. Podría lesionarse si la pieza de trabajo es arrastrada hacia el interior o si es expulsada con violencia.

- Afloje la manilla y abra la cubierta de protección superior.
- Asegúrese de haber ajustado correctamente la medida de la ranura. (Figura 7)
- Conecte la máquina y controle el curso de la banda.
- Guíe la pieza con ambas manos, y álcela después de cada paso de trabajo. (Figura 11)



9.8 Dispositivo de aspiración (Figura 2)

- La máquina puede conectarse a un equipo de aspiración a través del racor.

10. Mantenimiento.

ADVERTENCIA Tensión peligrosa



Podría recibir una descarga eléctrica o sufrir quemaduras.

¡Al realizar trabajos de mantenimiento y reparación extraer el enchufe de la red! Si la máquina se conecta accidentalmente, ello puede acarrear lesiones graves.

10.1 Servicio técnico.

ADVERTENCIA Únicamente deje realizar los trabajos de mantenimiento


por un profesional. Las líneas y componentes mal montados pueden suponer un grave peligro, Deje efectuar el servicio requerido por un servicio técnico FEIN.

En caso de una reparación recomendamos recurrir a un servicio técnico FEIN, un taller concertado FEIN o una representante FEIN.



En caso de que se dañe el cable de alimentación de la herramienta eléctrica, es necesario que un profesional se encargue de sustituirlo por un cable de alimentación especial disponible a través de uno de los servicios técnicos FEIN.

10.2 Limpieza.

 **ADVERTENCIA** Para evitar accidentes, desconectar primero la herramienta eléctrica de la alimentación antes de limpiarla o de realizar cualquier trabajo de mantenimiento. Se recomienda limpiar la herramienta eléctrica con aire comprimido seco. **Colóquese unos lentes de protección al limpiar herramientas eléctricas con aire comprimido.**

Las rejillas de ventilación y los elementos de manejo deberán estar limpios y no deberán quedar obstaculizados por otros objetos. No intente limpiar las aberturas con objetos en punta.

Realice periódicamente los trabajos de mantenimiento siguientes:



Sople con aire comprimido las rejillas de ventilación de la carcasa motor y los puntos identificados (ver etiqueta indicadora).



Aceite diariamente la máquina en los puntos indicados con aceite de máquinas (ver etiqueta indicadora).

► Siempre que cambie la banda de lija, inspeccione el grado de desgaste y el estado del rodillo motriz y del rodillo de inversión. Haga sustituir las piezas deterioradas.

11. Garantía.

La garantía del producto se realiza de acuerdo a las regulaciones legales vigentes en el país de adquisición.

Adicionalmente, FEIN ofrece una garantía ampliada de acuerdo con la declaración de garantía del fabricante FEIN. Detalles al respecto los puede obtener en su comercio especializado habitual, la representante FEIN en su país, o un servicio técnico FEIN.

12. Protección del medio ambiente, eliminación.

Para desechar la máquina se debe acudir a un Punto Limpio para un reciclaje ecológico según la legislación nacional existente.

13. Conexión eléctrica.

⚠ ADVERTENCIA Tensión peligrosa



Podría recibir una descarga eléctrica o sufrir quemaduras.

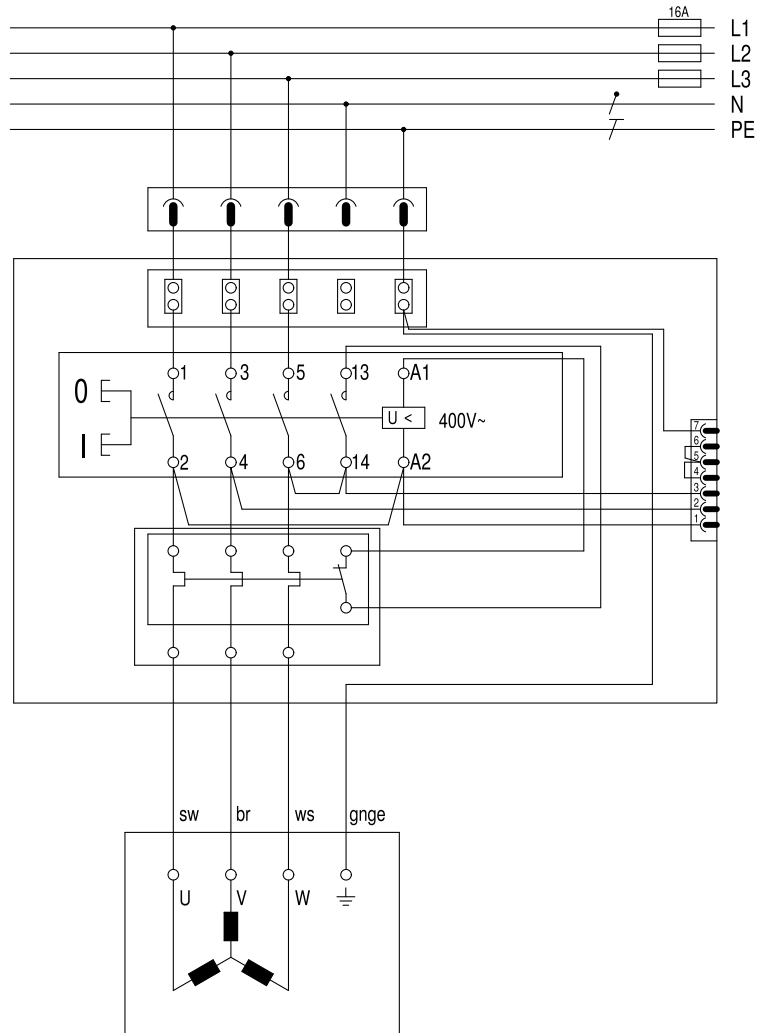
Al conectar la máquina asegurarse que la toma de tierra cumple con las reglas y directrices nacionales y locales correspondientes. Este trabajo deberá ser realizado por un electricista cualificado.

Cuando la máquina esté funcionando debe disponer de una toma de tierra para proteger al usuario de una descarga eléctrica. Esta máquina viene equipada con un cable de tres conductores y un enchufe de tres clavijas, con toma de tierra, apropiado para ser conectado a una toma de corriente con una conexión a tierra reglamentaria. Jamás conectar el conductor verde (o verde/amarillo) a la clavija de la fase. Si su máquina incorpora un sistema trifásico de 220/440 V, la conexión a la alimentación deberá realizarse con un cable de cuatro conductores según figura. Verifique el sentido de rotación correcto del motor tras la conexión. Para invertir el sentido de giro es necesario cambiar dos fases. El conductor verde es siempre el cable de tierra y no deberá conectarse nunca a una fase. Este trabajo deberá ser realizado por un electricista cualificado.

14. Connection Diagram.

GX 75USA

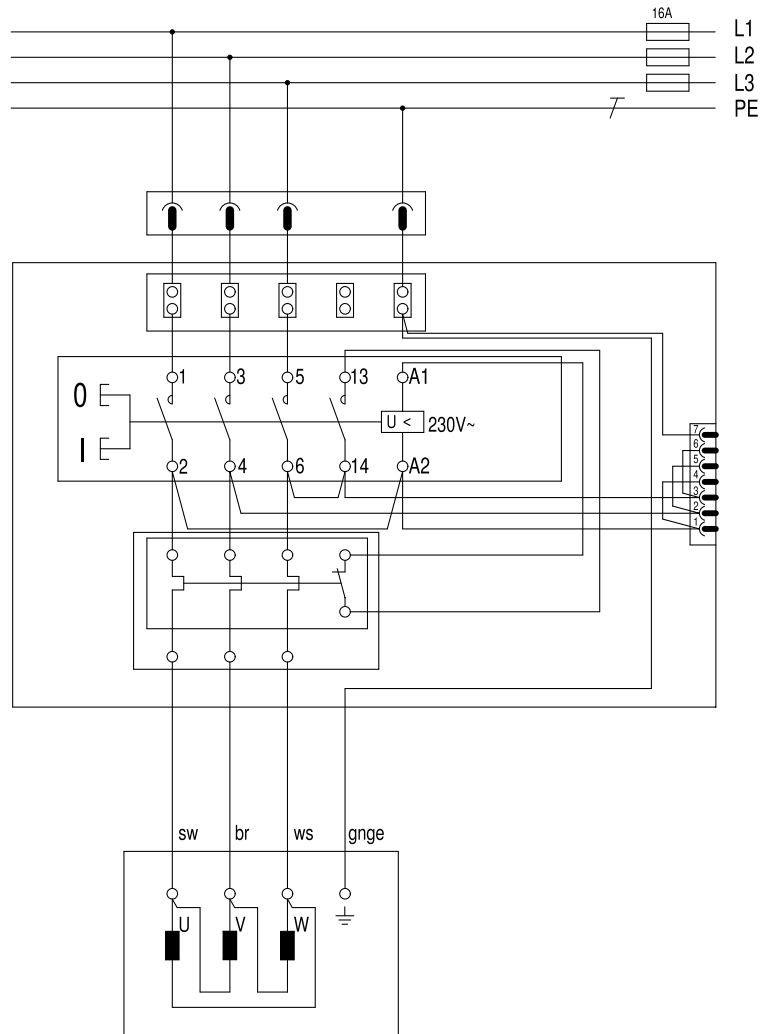
3 x 440 V - 60 Hz/



Connection Diagram.

GX 752VUSA

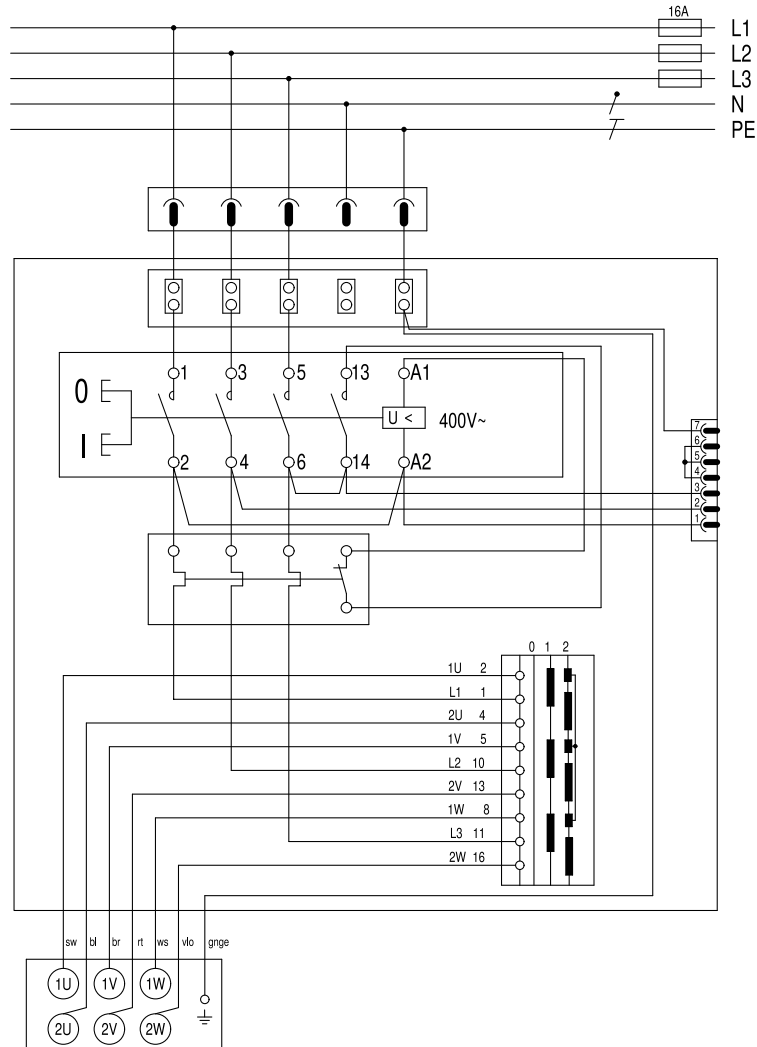
3 x 220 V - 60 Hz/



Connection Diagram.

GX 752HUSA

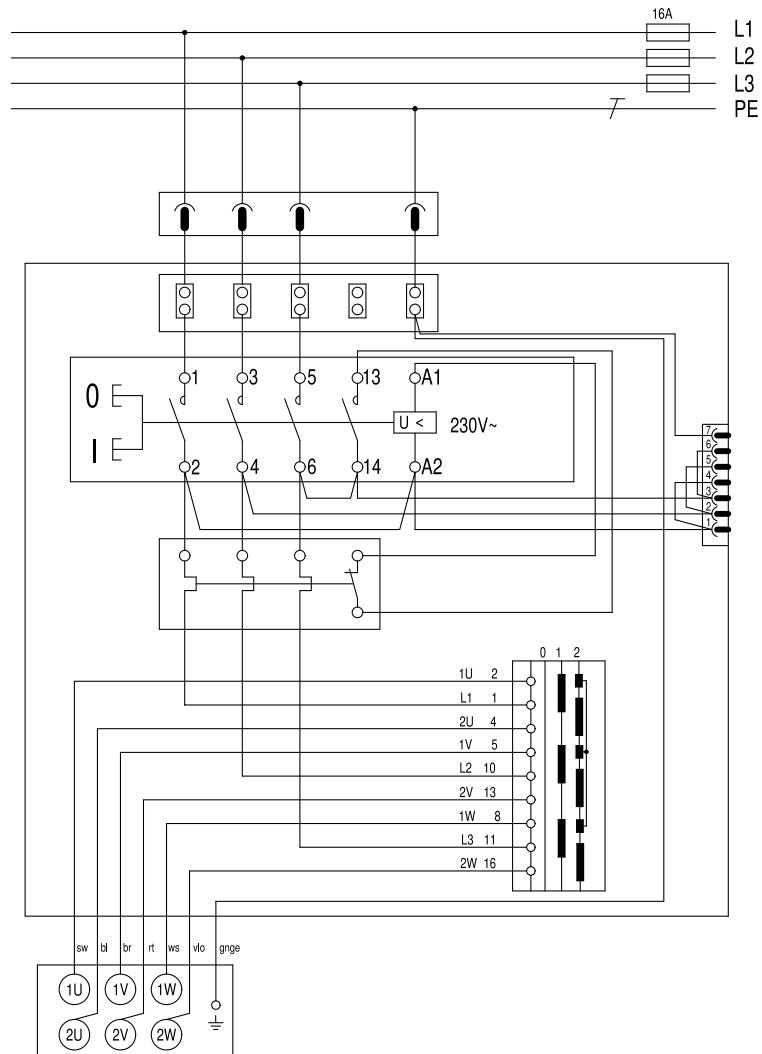
3 x 440 V - 60 Hz/



Connection Diagram.

GX 752H2VUSA

3 x 220 V - 60 Hz/



Free Manuals Download Website

<http://myh66.com>

<http://usermanuals.us>

<http://www.somanuals.com>

<http://www.4manuals.cc>

<http://www.manual-lib.com>

<http://www.404manual.com>

<http://www.luxmanual.com>

<http://aubethermostatmanual.com>

Golf course search by state

<http://golfingnear.com>

Email search by domain

<http://emailbydomain.com>

Auto manuals search

<http://auto.somanuals.com>

TV manuals search

<http://tv.somanuals.com>