

9-77-25



## Turbo III Dust Extractor



### SERVICE

**Tool service and maintenance must be performed only by qualified repair personnel.**

**When servicing a tool, only use identical replacement parts available from FEIN.**

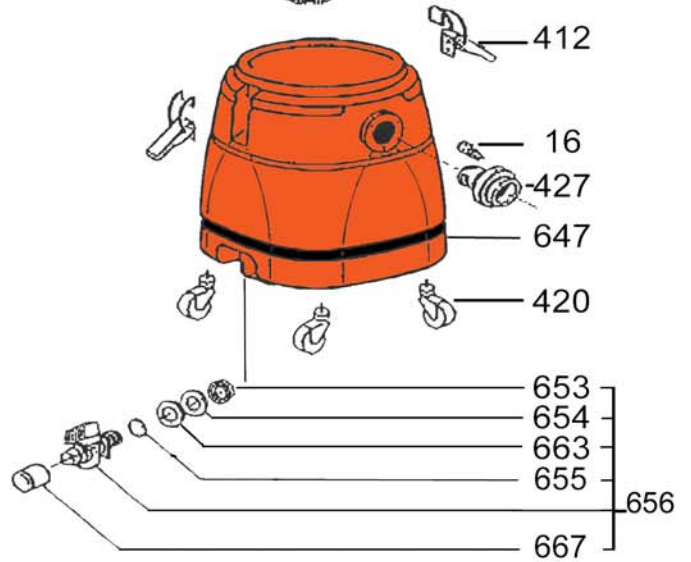
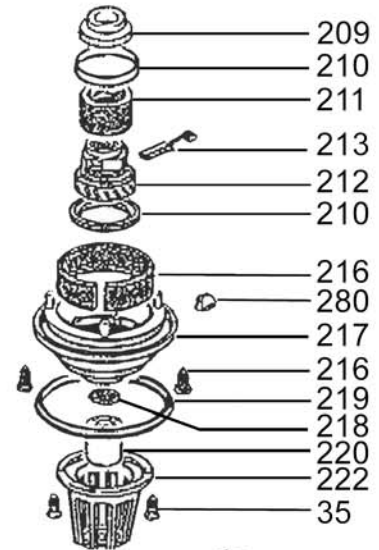
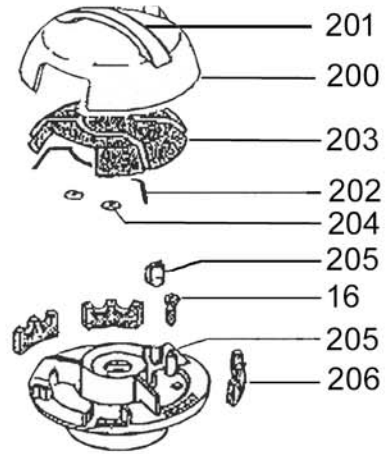
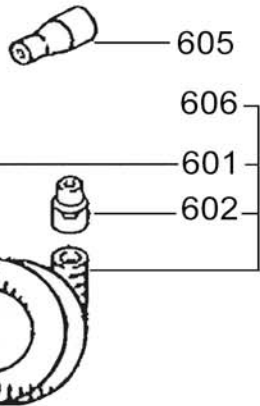
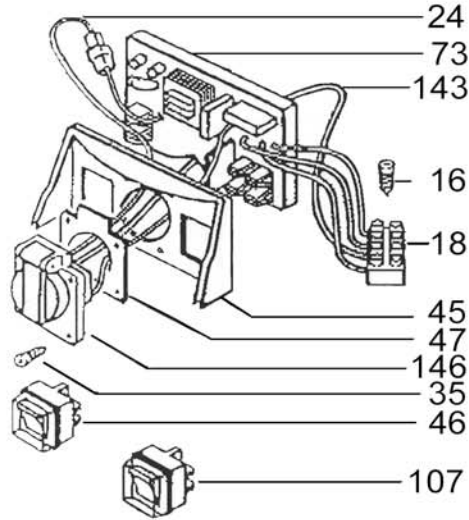
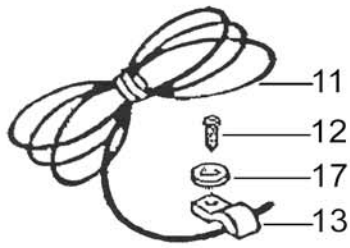
Repairs on FEIN Power Tools required the use of special tools (pulling devices and bearing press). Authorized repair centers have trained repair technicians and equipment necessary to perform these repairs. Service or repairs performed by unqualified persons could result in operator injury.

For the location of the repair center near you, please call 1-800-441-9878. Monday thru Friday, 9AM to 5PM EST. Or, look on our web site at [www.feinus.com](http://www.feinus.com) and follow the link to "Authorized Warranty Repair Centers"

**FEIN Power Tools  
1030 Alcon Street  
Pittsburgh, PA 15220**

Phone: 412-922-8886 Fax: 412-922-8767 Toll Free: 1-800-441-9878

November 24, 2003



# Turbo III Dust Extractor

## Model: 9-77-25

## Fein Power Tools

### 9-77-25 Parts List

<u>Item</u>	<u>Item Number</u>	<u>Description</u>	<u>Reqd</u>	
11	3-07-05-065-99-9	POWER CABLE	1	_____
12	901A11A89	SCREW	1	_____
13	101035K00	CABLE CLAMP	1	_____
16	901A19A89	SCREW	13	_____
17	901D07AG87	WASHER	1	_____
18	905217000	TERMINAL BLOCK	1	_____
24	905320AU02	SWITCH CABLE	1	_____
35	901A16A89	SCREW	7	_____
45	521006K13	COVER	1	_____
46	905307A000	SWITCH	1	_____
47	905239A000	GASKET	1	_____
73	905331R00	ELECTRONIC	1	_____
107	905306000	SWITCH (ON/OFF)	1	_____
143	905266A002	CABLE	1	_____
146	905398K13	SOCKET	1	_____
200	521049B50	COVER WITH HANDLE	1	_____
201	521049AK50	HANDLE	1	_____
202	920021B00	COVER GASKET	1	_____
203	902033000	COVER SOUND PROOFING	1	_____
204	901D04N00	CLIP	2	_____
205	521002AK13	COVER BAFFLE	1	_____
206	902048000	SIDE SOUND PROOFING	3	_____
209	920042000	MOTOR GASKET	1	_____
210	920039000	CHAMBER MOTOR GASKET	2	_____
211	902043000	MOTOR SOUNDPROOFING	1	_____
212	918M79A02U	MOTOR (110V)	1	_____
213	905459AG02	CARBON BRUSHES (2)	1	_____
216	902036000	MOTOR SOUND PROOFING	1	_____
217	521003K13	MOTOR COVER	1	_____
218	902032A00	MOTOR FILTER	1	_____
219	920038000	GASKET (110V)	1	_____
220	521010K00	FLOAT	1	_____
222	521007K13	FLOAT VALVE CAGE	1	_____
255	920060000	PLUG	1	_____
280	920065000	PLUG	1	_____
412	525002089	LOCK LEVER	2	_____
420	521047K41	SWIVEL WHEEL	4	_____
427	521016A13	HOSE RECEPTACLE	1	_____
601	921121AK13	HOSE END-VAC	1	_____
602	921121AK13	HOSE END-TOOL	1	_____
605	921005AK13	ADAPTOR	1	_____
606	921120AG13	2 1/4" HOSE	1	_____
647	530089AX50	TANK	1	_____
653	521096AK13	LOCK NUT	1	_____
654	901D21AG89	WASHER	1	_____
655	920097A000	O RING	1	_____
656	521090AA13	WATER TAP ASSEMBLY	1	_____
663	920098A000	RUBBER WASHER	1	_____
667	920100A000	CAP	1	_____

## Free Manuals Download Website

<http://myh66.com>

<http://usermanuals.us>

<http://www.somanuals.com>

<http://www.4manuals.cc>

<http://www.manual-lib.com>

<http://www.404manual.com>

<http://www.luxmanual.com>

<http://aubethermostatmanual.com>

Golf course search by state

<http://golfingnear.com>

Email search by domain

<http://emailbydomain.com>

Auto manuals search

<http://auto.somanuals.com>

TV manuals search

<http://tv.somanuals.com>