

MF 12-180



Dustless Construction Cutter



SERVICE

Tool service and maintenance must be performed only by qualified repair personnel.

When servicing a tool, only use identical replacement parts available from FEIN.

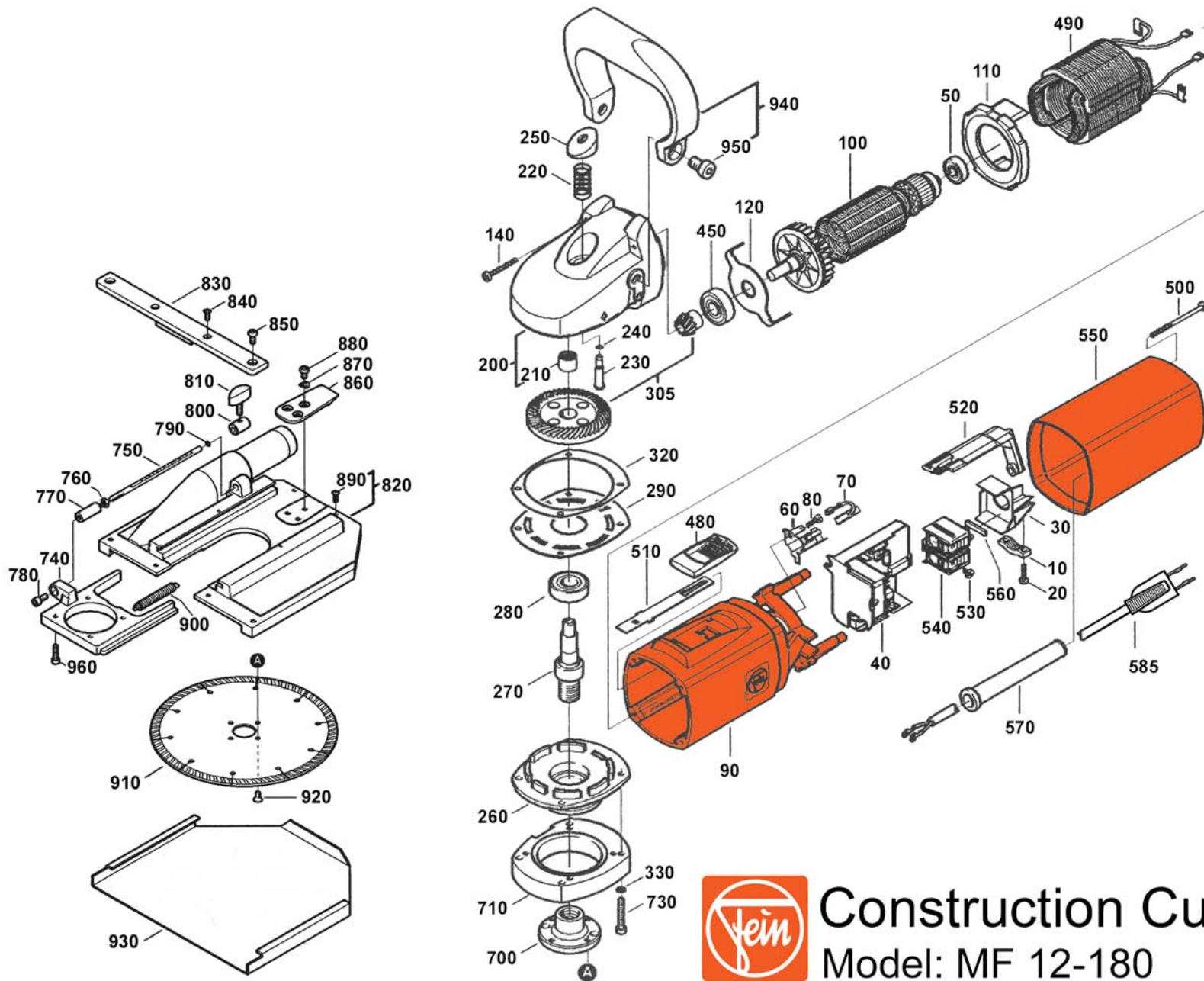
Repairs on FEIN Power Tools required the use of special tools (pulling devices and bearing press). Authorized repair centers have trained repair technicians and equipment necessary to perform these repairs. Service or repairs performed by unqualified persons could result in operator injury.

For the location of the repair center near you, please call 1-800-441-9878. Monday thru Friday, 9AM to 5PM EST. Or, look on our web site at www.feinus.com and follow the link to "Authorized Warranty Repair Centers"

**FEIN Power Tools
1030 Alcon Street
Pittsburgh, PA 15220**

Phone: 412-922-8886 Fax: 412-922-8767 Toll Free: 1-800-441-9878

Nov. 24, 2004



Construction Cutter

Model: MF 12-180

FEIN Power Tools

MF 12-180 Parts List

<u>Item</u>	<u>Item Number</u>	<u>Description</u>	<u>Reqd</u>
10	3-24-31-021-00-7	CABLE CLAMP	1
20	4-30-70-001-00-6	SCREW	2
30	3-24-31-040-00-6	SUPPORT	1
40	3-07-62-216-99-6	ELECTRONIC	1
50	4-17-01-001-17-2	BALL BEARING	1
60	3-07-12-088-02-9	BRUSH HOLDER	2
70	3-07-11-136-00-2	BRUSH	2
80	4-30-70-018-00-9	SCREW	4
90	3-19-01-114-01-4	MOTOR HOUSING	1
100	5-3-273-001-11-7	ARMATURE	1
110	3-14-28-118-00-7	AIR CONDUCTING RING	1
120	3-24-16-098-00-5	COVER PLATE	1
140	4-30-70-007-00-2	SCREW	4
200	3-12-06-110-01-5	GEAR HOUSING	1
210	4-17-05-019-00-1	NEEDLE BEARING	1
220	3-09-01-032-00-3	SPRING	1
230	3-02-17-327-00-3	PIN	1
240	4-06-12-137-00-8	SEALING RING	1
250	3-28-05-185-00-2	BUTTON	1
260	3-24-19-115-00-6	BEARING PLATE	1
270	3-34-06-284-00-9	SHAFT	1
280	4-17-01-010-05-4	BALL BEARING	1
290	3-24-16-101-00-9	COVER PLATE	1
305	3-38-09-229-01-2	BEVEL GEAR ASSY	1
320	3-26-24-117-00-9	WASHER	1
330	4-24-43-003-04-3	LOCK WASHER	4
450	4-17-01-007-22-6	BALL BEARING	1
480	3-28-05-156-00-8	SLIDING SWITCH	1
490	5-1-273-001-11-5	FIELD COIL	1
500	4-30-70-017-00-1	SCREW	2
510	3-28-16-055-00-0	SWITCH BAR	1
520	3-28-16-052-00-4	SWITCH ROD	1
530	4-30-41-039-99-9	SCREW	2
540	3-07-01-218-00-3	SWITCH	1
550	3-12-01-100-00-9	COVER	1
560	3-14-15-082-00-4	BOLSTER	1
570	3-14-13-007-00-7	CABLE PROTECTIVE SLEEVE	1
580	3-07-05-035-01-3	CABLE	1
700	6-38-01-178-00-4	INNER FLANGE	1
710	3-13-36-017-00-7	GUARD MOUNTING SPACER	1
730	4-30-35-010-04-6	SCREW	1
740	3-13-36-010-00-2	BLADE SLIDE PLATE	1

750	3-13-36-011-00-1	DEPTH STOP ROD	1	_____
760	4-20-01-007-05-3	NUT	1	_____
770	3-13-36-012-00-4	SLEEVE	1	_____
780	4-30-35-013-05-8	SCREW	1	_____
790	3-13-36-013-00-8	WASHER	1	_____
800	3-13-36-014-00-6	SLEEVE	1	_____
810	3-13-36-015-00-0	THUMB SCREW	1	_____
820	3-13-36-002-01-4	BLADE GUARD WITH VAC ATTACHMENT	1	_____
830	3-13-36-006-00-4	EDGE CAP	1	_____
840	3-13-36-007-00-8	SCREW	2	_____
850	3-13-36-008-00-6	SCREW	2	_____
860	3-13-36-003-00-9	LOCKING TAB	1	_____
870	3-13-36-020-00-1	WASHER	3	_____
880	3-13-36-005-00-1	SCREW	3	_____
890	3-13-36-004-00-7	SCREW	2	_____
900	3-13-36-016-00-3	SPRING	1	_____
910	6-35-02-146-01-1	SAW BLADE	1	_____
920	4-30-69-005-04-4	SCREW SHOE	4	_____
930	3-13-36-009-00-0	GUARD COVER	1	_____
940	3-13-36-018-01-4	HANDLE ASSY	1	_____
950	3-13-36-019-00-9	SCREW	2	_____
960	4-30-35-008-04-0	SCREW	4	_____

Free Manuals Download Website

<http://myh66.com>

<http://usermanuals.us>

<http://www.somanuals.com>

<http://www.4manuals.cc>

<http://www.manual-lib.com>

<http://www.404manual.com>

<http://www.luxmanual.com>

<http://aubethermostatmanual.com>

Golf course search by state

<http://golfingnear.com>

Email search by domain

<http://emailbydomain.com>

Auto manuals search

<http://auto.somanuals.com>

TV manuals search

<http://tv.somanuals.com>