

MOTlx 6-25



Pneumatic Caulking Cutter



SERVICE

Tool service and maintenance must be performed only by qualified repair personnel.

When servicing a tool, only use identical replacement parts available from FEIN.

Repairs on FEIN Power Tools required the use of special tools (pulling devices and bearing press). Authorized repair centers have trained repair technicians and equipment necessary to perform these repairs. Service or repairs performed by unqualified persons could result in operator injury.

For the location of the repair center near you, please call 1-800-441-9878. Monday thru Friday, 9AM to 5PM EST. Or, look on our web site at www.feinus.com and follow the link to "Authorized Warranty Repair Centers"

**FEIN Power Tools
1030 Alcon Street
Pittsburgh, PA 15220**

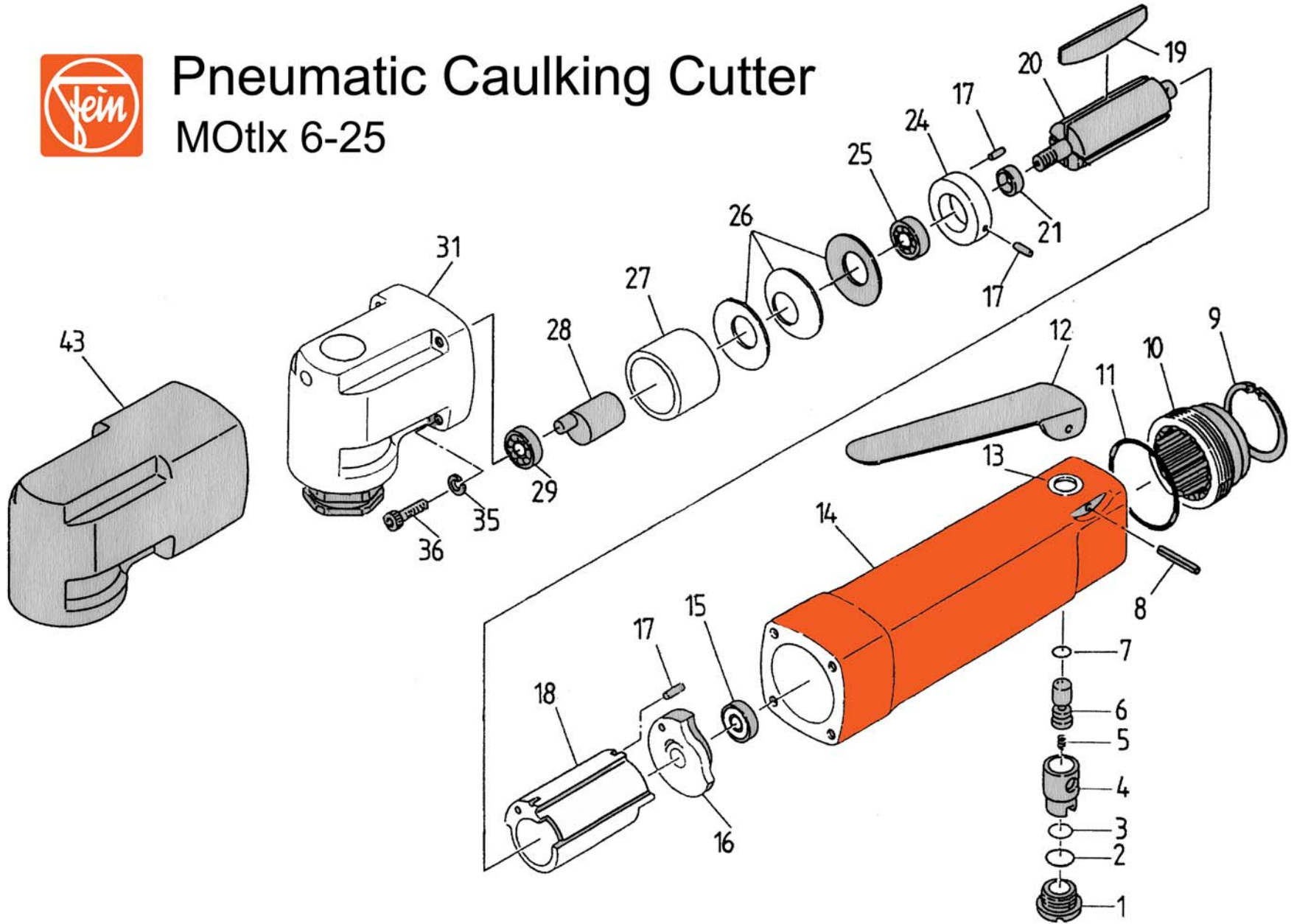
Phone: 412-922-8886 Fax: 412-922-8767 Toll Free: 1-800-441-9878

November 24, 2003



Pneumatic Caulking Cutter

MOtlx 6-25



FEIN Power Tools

Motlx 6-25 Pneumatic Caulking Cutter - Parts List

<u>Item</u>	<u>Item Number</u>	<u>Description</u>	<u>Reqd</u>	
1	3-13-05-301-00-2	VALVE SCREW	1	_____
2	3-13-05-326-00-2	O-RING	1	_____
3	3-13-05-327-00-6	O-RING	1	_____
4	3-13-05-302-00-5	COMPRESSED-AIR REGULATOR	1	_____
5	3-13-05-303-00-9	VALVE SPRING	1	_____
6	3-13-05-304-00-7	VALVE PLUNGER	1	_____
7	3-13-05-328-00-4	O-RING	1	_____
8	4-02-38-015-00-7	CLAMPING SLEEVE	1	_____
9	4-26-16-071-00-8	RETAINING RING	1	_____
10	3-13-05-305-00-1	EXHAUST SLEEVE	1	_____
11	3-13-05-329-00-8	O-RING	1	_____
12	3-13-05-306-00-4	SWITCH LEVER	1	_____
13	3-13-05-307-00-8	VALVE BUSHING	1	_____
14	3-13-05-308-00-6	MOTOR HOUSING	1	_____
15	4-17-01-236-03-6	BALL BEARING	1	_____
16	3-13-05-309-00-0	ROTOR COVER, REAR	1	_____
17	4-02-38-069-00-1	CLAMPING SLEEVE	3	_____
18	3-13-05-310-00-2	ROTOR BUSH	1	_____
19	3-13-05-311-00-1	ROTOR BLADE	4	_____
20	3-13-05-312-00-4	ROTOR	1	_____
21	3-13-05-313-00-8	RING	1	_____
24	3-13-05-314-00-6	ROTOR COVER, FRONT	1	_____
25	4-17-01-007-03-8	BALL BEARING	1	_____
26	3-13-05-315-00-0	CUP SPRING	3	_____
27	3-13-05-316-00-3	DISTANCE SLEEVE	1	_____
28	3-13-05-317-00-7	ECCENTRIC SHAFT	1	_____
29	4-17-01-001-03-2	BALL BEARING	1	_____
31	3-13-05-319-99-9	GEARHEAD ASSEMBLY	1	_____
35	4-24-45-001-04-4	LOCK WASHER	4	_____
36	3-13-05-330-00-0	SCREW	4	_____
43	3-13-05-325-00-9	PROTECTIVE COVER	1	_____
<u>Accessories</u>				
	3-30-24-062-99-9	BLADE SCREW	1	
	6-29-10-031-99-9	BLADE WRENCH	1	

Free Manuals Download Website

<http://myh66.com>

<http://usermanuals.us>

<http://www.somanuals.com>

<http://www.4manuals.cc>

<http://www.manual-lib.com>

<http://www.404manual.com>

<http://www.luxmanual.com>

<http://aubethermostatmanual.com>

Golf course search by state

<http://golfingnear.com>

Email search by domain

<http://emailbydomain.com>

Auto manuals search

<http://auto.somanuals.com>

TV manuals search

<http://tv.somanuals.com>