



43 Moonachie Rd.
Hackensack, NJ 07601

Dishwashers

Instruction Manual

Dishwasher Features 1

Safety Information 2

Operating Instructions

Control Panel 3

Dishwasher Features 3

Wash Cycle Table 4

Detergent 5

Rinse Aid 5

Loading the Dishwasher Racks 6

Cutlery Basket 7

Filtering System 8

Caring for the Dishwasher 8,9

Troubleshooting Tips

Before you call for service 10,11

Installation Instruction..... 12,13,14

Write the model and serial numbers here:

Model: **LFA-75IT**

Serial#

For technical support or repairs call: 1.877.743.2467

For general information or inquiries call: 1.800.207.0806

DISHWASHER FEATURES

The Fagor Model LFA-75IT has several characteristics which separate it from the competition. These Are:



Time Delay feature

This allows the start of the program to be delayed 24h. The Time Delay feature allows you to program the dishwasher at your convenience, saving you time and money.



Error Alarm

Error codes on the display will inform you of problems with the dishwasher.



Rinse Aid Warning Indicator

When the rinse aids in the machine begin to run low, an alert on the panel will be clearly displayed informing you to refill them. This will ensure the unit will operate at optimum performance.



Stainless Steel Tub

The Stainless Steel tub of the dishwasher is made of tough and durable steel that is resistant to staining.



6 Dishwashing Programs

Depending on your cleaning needs, you can choose any of the 6 pre-programmed cycles to better clean your dishes. Choose from Heavy, Normal, Eco, Rinse, Glass and Speed.



NOTE:

The manufacturer may make modifications without giving prior notice.

IMPORTANT SAFETY INFORMATION

READ ALL INSTRUCTIONS BEFORE USING

WARNING!

When using your dishwasher, follow the below basic precautions including the following:



GROUNDING INSTRUCTIONS

- This appliance must be grounded. In the event of a malfunction or breakdown, grounding will reduce the risk of electric shock by providing a path of less resistance to the electrical currents. This appliance is equipped with an equipment-grounding conductor and a grounding plug. The plug must be plugged into an appropriate outlet that is installed and grounded in accordance with all local codes and ordinances.

WARNING!

- Improper connection of the equipment-grounding conductor can result in a risk of electric shock. Check with a qualified electrician or service representative to ensure that the appliance is properly grounded. Do not modify the plug provided with the appliance. If the plug does not fit the outlet, contact a qualified electrician to install a proper outlet.



WARNING! PROPER USE

- Do not abuse, sit on, or stand on the door or dish rack of the dishwasher.
- Do not touch the heating element during or immediately after use.
- Do not wash plastic items unless they are marked dishwasher safe. For plastic items not marked, check the manufacturer's recommendations.
- Use only detergent and rinse additives designed for an automatic dishwasher. Never use soap, laundry detergent or hand washing detergent in your dishwasher. Keep these products out of reach of children.
- Keep child away from detergents and rinse aids. Keep child away from the open door of the dishwasher, there could still be some detergent left inside.
- The door should not be left in the open position since this could present a tripping hazard.
- During installation, the power supply must not be excessively or dangerously bent or flattened.
- Do not tamper with internal controls.
- The appliance is not intended for use by young children or infirm persons without supervision.
- Dishwasher detergents are strongly alkaline, they can be extremely dangerous if swallowed. Avoid contact with skin and eyes and keep children away from the dishwasher when the door is open.
- Do not operate your dishwasher unless all enclosure panels are properly in place. Open the door very carefully if the dishwasher is operating, there is a risk of water squirting out.
- Do not place any heavy objects or stand on the door when it is open as this could damage the door and cause the appliance to tip forward.
- When loading items to be washed:
 - 1) Locate sharp items so that they are not likely to damage the door seal.
 - 2) Load sharp knives with the handles up to reduce the risk of injuries.
- When using your dishwasher, make sure no plastic items come in contact with the heating element.
- If the power supply cord is damaged, it must be replaced by a qualified service agent or a similarly qualified person.
- Please dispose of packing materials properly.
- Use the dishwasher only for its intended function.
- When disposing of an old dishwasher, be sure to remove the door before discarding.
- Be sure to keep children away from the dishwasher.
- Check that the detergent receptacle is empty after completion of the wash cycle.

READ AND FOLLOW THIS SAFETY INFORMATION CAREFULLY

SAVE THESE INSTRUCTIONS

IMPORTANT!

To get the best performance from your dishwasher, read all operating instructions before using for the first time.

Control Panel



1. Display window

In this screen, you will see the program remaining time, delay time options, the running indicator, the program indicator, High temperature indicator, heat dry indicator, rinse aids indicator and error codes.

2. Delay button

This option allows you to delay the start of a wash cycle by up to 24 hours. When the dishwasher is on, press the **DELAY** button to choose the number of hours you want to delay the start of the wash cycle. The hours will be displayed in the display window.

Note: To cancel the delay hour option before the wash cycle starts, repeatedly press the DELAY button until the display reads "0:00".

3. Options button

① Press the **OPTIONS** button, "Hi temp" will be selected.

② Press the **OPTIONS** button twice, the "Heat Dry" will be selected.

About the options:

HI TEMP When the "Hi Temp" option is selected, the temperature of the water will reach 140°F (60°C) max.

HEAT DRY When the "Heat Dry" option is selected, the heater will work during the dry processes.

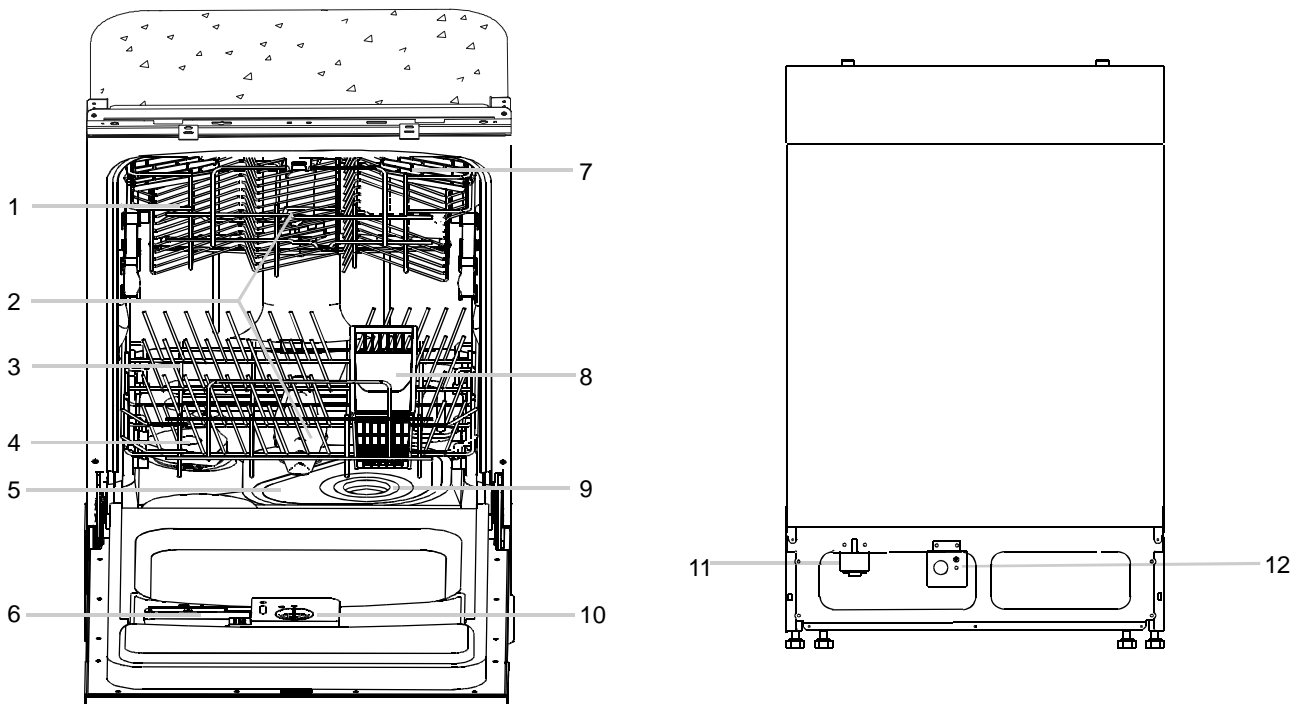
4. Cycles button

When the dishwasher is turned on, you can press the **Cycles** button to select the desired wash cycle. A light on the display will indicate which cycle has been selected.

5. Power button

Press the **POWER** button to turn the unit on and begin washing. The LED display will turn on when the dishwasher is on.

Dishwasher Features



1 Upper Rack

2 Spray Arms

3 Lower Rack

4 Water Softener

5 Main Filter

6 Detergent Dispenser

7 Cup Shelf

8 Cutlery Basket







9 Filter

10 Rinse Aid Dispenser

11 Inlet Valve

12 Junction Box

WASH CYCLE TABLE

Program	Cycle Information	Description of Cycle	Cycle Time	Water (gal)	Rinse Aid
 Heavy	For the heaviest or most soiled loads such as pots, pans, casserole dishes and plates that have been sitting with dried food on them for a while.	Pre-Wash Pre-Wash Pre-Wash Main Wash 140 ° F (60°C) Rinse Rinse Rinse 140 ° F (60°C) Drying	2:10	6.42	
 Normal (AHAM)	For normal household loads, such as pots, plates, glasses and lightly soiled pans. Standard daily cycle.	Pre-Wash Main Wash 122 ° F (50°C) Rinse Rinse 131 ° F (55°C) Drying	2:10 - 2:20	3.65	Yes
 Eco	For lightly soiled loads such as plates, glasses, bowls and lightly soiled pans.	Pre-Wash Main Wash 122 ° F (50°C) Rinse Rinse 122 ° F (50°C) Drying	1:30	3.70	
 Quick	A shorter wash for lightly soiled loads that do not need drying.	Pre-Wash Pre-Wash Main Wash 131 ° F (55°C) Rinse Rinse 131 ° F (55°C) Drying	1:20	4.57	
 Glass	Delicate cycle only to be used for dishes and glasses that need to be rinsed and dried.	Pre-Wash Main Wash 122 ° F (50°C) Rinse Rinse 122 ° F (50°C) Drying	1:30	3.65	Yes
 Rinse	For rinsing partial loads that will be washed later. Do not use detergent with this cycle. This cycle does not include heated dry.	Pre-Wash Pre-Wash	0:25	1.93	



NOTE:

The inlet water temperature must be 120°F. If this temperature is not met, the wash performance will be compromised.

Cycle	Wash				Rinse			Dry
	Pre Wash 1	Pre Wash 2	Pre Wash 3	Main Wash	Rinse 1	Rinse 2	Rinse 3	
Heavy	■	■	■	■ 140°F (60°C)	■	■	■ 140°F (60°C)	■
Normal	■	-	-	■ 122°F (50°C)	■	■ 131°F (55°C)	-	■
Eco	■	-	-	■ 122°F (50°C)	■	■ 122°F (50°C)	-	■
Quick	■	■	-	■ 131°F (55°C)	■	■ 131°F (55°C)	-	■
Glass	■	-	-	■ 122°F (50°C)	■	■ 122°F (50°C)	-	■
Rinse	■	■	-	-	-	-	-	-

DETERGENT DISPENSER

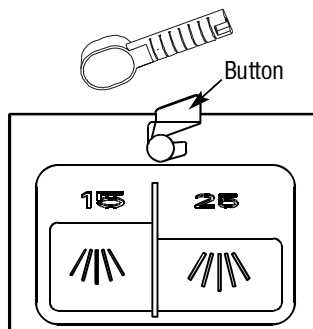
Note: Please use only the recommended amount of dishwashing liquid when washing your dishes.

The detergent dispenser must be refilled before the start of each wash cycle. Please follow the manual instructions provided in the "Wash Cycle Table" on page 4.

As a rule of thumb, you generally only need one tablespoon of dishwashing detergent for a normal household wash load. For more heavily soiled items please refer to the instructions on your detergent packaging. Please make sure to add the detergent just before starting the dishwasher.

Detergent Usage

Please follow the instructions on the back of the detergent packaging for the proper amount of detergent to use for the type of load you have. The amount of detergent can vary depending on the hardness of your water. To determine your water consistency, please contact your local water company. Generally, the harder the water, the more detergent you will need to use.



Removing Hard Water Stains

To remove hard water stains, try the following steps in this order:

- Run dishes through a normal wash program.
- Remove all metal dishware, such as cutlery, pans, etc., from the dishwasher.
- Do not add detergent.
- Pour two cups of vinegar into a bowl and set the bowl face up on the lower rack of the dishwasher.

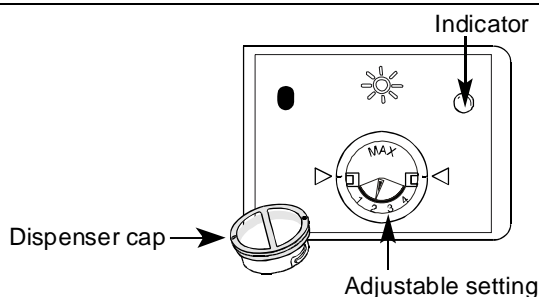
⚠ WARNING!

Please keep dishwashing liquid out of the reach of children as it is very dangerous for them to consume.

Proper Use of Detergent

Use only detergent specifically made for use in dishwashers. Keep your detergent fresh and dry. Please do not store detergent in dispenser until ready to use.

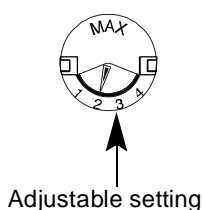
RINSE AID DISPENSER



- To open the dispenser, turn the cap to the "open" (left) arrow and lift cap up until open.
- Pour the rinse aid into the dispenser, being careful not to overfill.
- Return the cap by inserting it aligned with "open" arrow and turning it to the "closed" (right) arrow position.

- The rinse aid is released during the final rinse to prevent water from forming droplets on your dishes that can leave spots and streaks. It also improves drying by allowing water to "sheet" off the dishes.
- Your dishwashers are designed to use liquid rinse aids. The rinse aid dispenser is located inside the door next to the detergent dispenser. To fill the dispenser, open the cap and pour the rinse aid into the dispenser until the level indicator turns completely black. The dispenser holds about 3.4 oz (100 ml) of liquid rinse aid.
- Be careful not to overfill the dispenser, as this can cause over sudsing of the detergent in the unit. Wipe away any spills with a damp cloth. Don't forget to replace the dispenser cap before you close the dishwasher door.
- If your household water is soft, you may not need additional rinse agents in your water as it may cause a white film around your dishes.

Adjusting Rinse Aid Dispenser

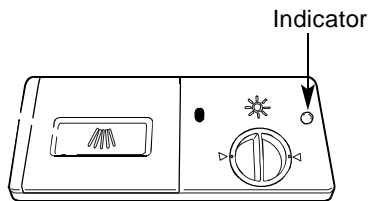


A measured amount of rinse aid is released during the final rinse to assist in rinsing dishes properly, keeping them residue and streak free. As with detergent, the amount of rinse aid needed for your dishes depends on the hardness of the water in your area. If you have very soft household water, you may need to dilute or omit the rinse aid.

The rinse aid dispenser is designed with four settings. Please begin your wash cycles with the dispenser set on setting 2. If spots and streaks are evident, increase the amount of rinse aid dispensed in the machine by removing the dispenser lid and rotating the dial to setting 3. If the dishes still are not drying properly or are spotted, increase the dial to setting 4.

When to Refill the Rinse Aid Dispenser

When the dishwasher begins to run out of rinse aid, the rinse aid dispenser indicator will show a decrease in the size of the black dot. As the rinse aid in the dispenser diminishes the size of the black dot diminishes. You should never let the rinse aid get below 1/4 full.



As the rinse aid diminishes, the size of the black dot on the rinse aid level indicator changes, as illustrated below.

- Full
- 3/4 full
- 1/2 full
- 1/4 full - Should refill to eliminate spotting
- Empty

Loading the Dishwasher Racks

For best performance of the dishwasher, follow these loading guidelines. Features and appearance of racks and cutlery baskets may vary from your model.

Use of the Upper Rack

The upper rack is designed to hold more delicate and lighter dishware such as glasses, small plates, small bowls and shallow pans (as long as they are not too dirty).

Position the dishes and cookware so that they do not get moved by the spray of water.

The height of the upper rack can be changed by changing the height of the wheels in the rail.



12 place settings



10 place settings

- 1 Cups
- 2 Small bowls
- 3 Glasses
- 4 Bread and butter plates
- 5 Saucers

Use of the Lower Rack

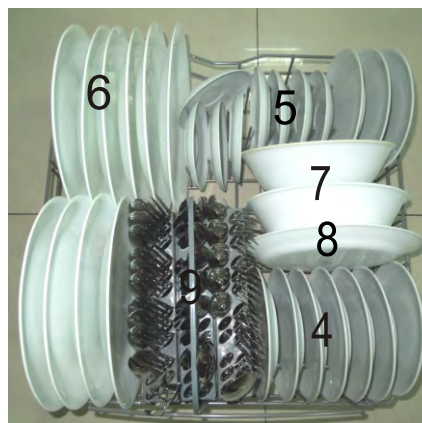
We recommend that you place large items which are most difficult to clean on the lower rack: pots, pans, lids, serving dishes and bowls; as shown in the figure below.

We recommend placing serving dishes and lids on the side of the racks in order to avoid blocking the rotation of the top spray arm.

- Pots, serving bowls, etc., must always be placed facing down.
- Deep pots should be slanted to allow water to flow out.
- The bottom rack features fold over tine rows that can be used on larger pots and pans.



12 place settings

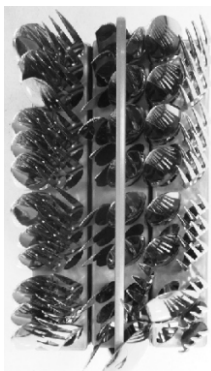


10 place settings

- 4 Bread and butter plates
- 5 Saucers
- 6 Dinner plates
- 7 Serving bowl
- 8 Serving plate
- 9 Cutlery basket

CUTLERY BASKET

Cutlery should be placed in the cutlery basket with handles at the bottom. Especially long utensils should be placed horizontally at the front of the upper rack. All knives and sharp utensils should be placed into the cutlery basket with blades facing down so as to avoid injury.



4 1	5 3	3 2
4 1	5 3	3 2
4 1	5 3	3 2
4 1	5 3	3 2
4 1	5 3	3 2
4 1	5 3	3 2
4 1	5 3	3 2
4 1	5 3	3 2

12 place settings

4 1	5 3	3 2
4 1	5 3	3 2
4 1	5 3	3 2
4 1	5 3	3 2
4 1	5 3	3 2
4 1	5 3	3 2
4 1	5 3	3 2
4 1	5 3	3 2

10 place settings

- | | |
|------------------|-----------------|
| 1 Forks | 5 Knives |
| 2 Soup spoons | 6 Serving spoon |
| 3 Dessert spoons | 7 Gravy ladle |
| 4 Teaspoons | 8 Serving fork |



WARNING!

Please make sure silverware does not stick out of the basket as it can cause harm when unloading.

Operating the Dishwasher

Starting a Wash Cycle

1. Make sure the plug of the dishwasher is inserted into the proper wall outlet.
2. Make sure water supply is turned on to full pressure.
3. Load dishes, bowls, glasses and/or pots into the dishwasher. Please see the "Loading Dishwasher" section in the manual for loading and arrangement details.
4. Pour in suggested amount of detergent (see Detergent and Rinse Aid sections for suggestions).
5. Press the Power button. The Power indicator light will turn on.
6. Press the Cycles button to select a washing program. (If you are using an all-in-one dishwashing pod, please select Heavy, Normal or Eco program).
7. Close the door, the machine will begin working after 10 seconds.

Changing a Washing Program

1. Once the dishwasher has begun its cycle, it can only be changed if the dishwashing detergent has not yet been released. If it has been released, follow the below instructions.
2. Slightly open the door to stop the wash cycle. Press and hold the "Cycle" button for 3 seconds to cancel the running cycle. Once the current wash cycle has been fully deprogrammed, refill your detergent dispenser and select your new wash cycle (See the section entitled "Starting a Wash Cycle").

NOTE: *If you open the door during a wash cycle, the machine will pause. When you close the door, the machine will continue working after 10 seconds.*

At the End of the Wash Cycle

Once the washing cycle is complete and the dishwasher has stopped, an alarm will go off for about 8 seconds informing you of cycle completion. At that moment, the dishwasher will go into stand-by mode, in which the unit is still on with no program running. We recommend that you manually shut the unit off and wait about 15 minutes before unloading your dishes, giving time for the dishes to cool off and fully dry.

Forgot to Add a Dish?

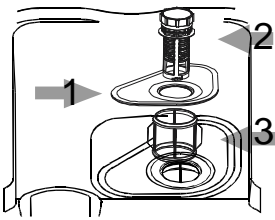
You can easily add a dish to the washing cycle anytime before the detergent cup opens to release the detergent. Please follow the directions below:

1. Slightly open the dishwasher door to stop the washing cycle.
2. Once the washing spray arms stop moving, you can open the dishwasher door completely.
3. Add additional dishes, glasses or cookware onto the dishwashing rack.
4. Close the dishwasher door, the washer will continue its cycle after 10 seconds.

WARNING! Please take caution when opening the dishwasher while in washing mode, the water is extremely hot and may burn you. Please keep kids away from the dishwasher while in washing mode.

Filtering System

For your convenience, we have placed the drain pump and filtering system within easy reach inside the tub. There are three components of the filtering system: the main filter, the coarse filter, and the fine filter.



- 1 Main filter**
Food particles trapped by this filter are broken down by a special jet on the lower spray arm and washed down the drain.
- 2 Coarse filter**
Larger items, such as pieces of bone or glass, that could clog the drain are trapped in the coarse filter. To remove an item caught in this filter, gently squeeze the tabs on top of this filter and lift it out.
- 3 Fine filter**
This filter holds food residue in the sump area preventing it from being redeposited onto the dishes during a cycle.

Caring for the Dishwasher

To clean the control panel of the dishwasher, use a lightly dampened cloth then dry thoroughly.
To clean the exterior of the unit, use a good appliance polish wax.
Never use sharp objects, scouring pads or harsh cleaners on any part of the dishwasher.

Protecting Against Frozen Pump Damage

It is important to protect your pumps from frozen water damage caused by the drop of internal home temperature. If your home temperature goes below 34 °F for a long period of time, you can have ice build in the lines and around the motors. Have your plumber follow the below steps if your water pipes freeze.

1. Cut off the electrical power to the dishwasher.
2. Turn off the water supply and disconnect the water inlet pipe from the water valve.
3. Drain the water from the inlet pipe and water valve. (Use a pan to catch the water)
4. Reconnect the water inlet pipe to the water valve.
5. Remove the filter at the bottom of the tub and use a sponge to soak up water in the sump.

⚠ NOTE: *If your dishwasher does not work because of ice, please contact professional service persons.*

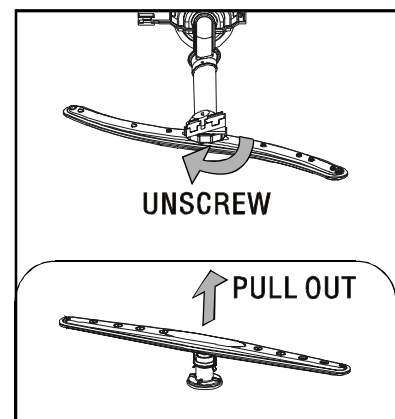
Cleaning the Spray Arms

It is necessary to clean the spray arms regularly in order to prevent the clogging of the jets and bearings from hard water chemicals.

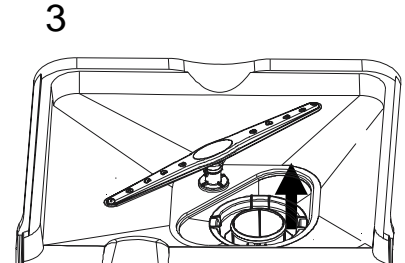
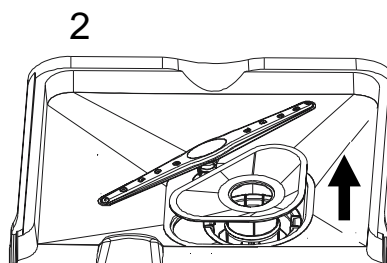
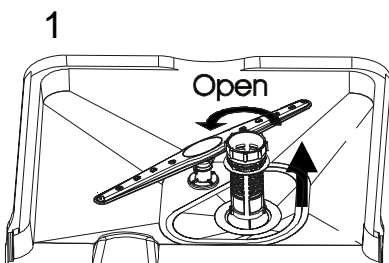
To remove the upper spray arm, turn the nut clockwise and remove the arm.

To remove the lower spray arm, pull it upward.

Wash the arms in soapy warm water and use a soft brush to clean the jets. Replace them after rinsing them thoroughly.



Cleaning the Filters

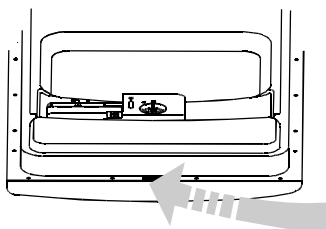


- Step 1: Turn the filter counterclockwise and lift it up.
Step 2: Lift the Main filter up
Step 3: Lift the Fine filter up

⚠ NOTE: *Please follow steps 1 through 3 in order to remove the filter system. In order to reinstall, please perform the steps in reverse order.*

User-Maintenance Instructions

Cleaning the Door



To clean the edges of the dishwasher door, use a soft, damp rag to wipe around the unit.

Be sure to prevent the water from seeping into the door and onto any of the electrical components. It is best not to use spray cleaners on the dishwasher. It is also best not to use abrasive cleaners or scouring pads on the outer surface of the dishwasher as they tend to scratch and leave marks.

▲ WARNING!

Never use a spray cleaner to clean the door panel as it could damage the door lock and electrical components.

Keeping your dishwasher in prime condition

■ **After Every Wash**

After every wash, leave the door slightly ajar so moisture and odors are not trapped inside the washer.

■ **Remove the Plug**

Prior to any cleaning or maintenance to the dishwasher, it is recommended that you disconnect the unit from the electrical outlet for safety.

■ **Do not use abrasive cleaning products**

When cleaning the exterior and rubber parts of the dishwasher, we recommend that you do not use solvents or abrasive cleaning products, use only a cloth and warm soapy water. To remove spots or stains from the surface of the interior, use a cloth dampened with water and a little white vinegar, or a cleaning product made specifically for dishwashers.

■ **Caring for your dishwasher while on vacation**

If you should go on vacation, we recommend that you follow the below procedure to keep the unit in its best shape. Run a wash cycle with the dishwasher empty and then remove the plug from the outlet. Turn off the water supply and leave the door of the appliance slightly ajar. This will help the seals last longer and prevent odors from forming within the appliance.

■ **Moving the Appliance**

If the dishwasher needs to be moved, try to keep it in the vertical position. If absolutely necessary, it can be positioned on its back.

■ **Seal maintenance**

One of the many factors which can cause odors to form in the dishwasher is food trapped in the seals of the dishwasher. Periodic cleaning with a damp sponge will prevent this from occurring.

About Electricity Connecting

▲ CAUTION, for personal safety:

DO NOT USE AN EXTERNAL CORD OR AN ADAPTER PLUG TO OPERATE THIS DISHWASHER.
DO NOT, FOR ANY REASON, CUT OR REMOVE THE THIRD GROUNDING PRONG FROM THE POWER CORD.

Electrical Requirements

This dishwasher is designed for operation on an adequately wired individual 120VAC, 60Hz. Use recommended 15 amp fuses and copper wire only. Time delay fuses or circuit breakers are recommended as they provide a separate circuit serving only this appliance. When installing the dishwasher, be sure not to install it directly in front of the outlet it will be plugged into as this will block access to it. Please refer to the installation manual.

Electrical Connection

▲ WARNING!

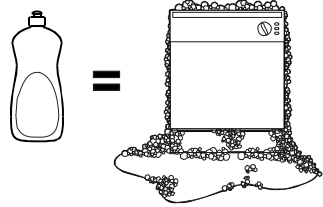
Insure proper ground exists before use

After making sure the voltage and the frequency values for the current in the home correspond to those on the rating plate and that the electrical system is sized for the maximum voltage on the rating plate, insert the plug into a properly grounded electrical outlet. If the electrical outlet is not suited for the plug, replace the outlet instead of using adaptors as they could cause overheating and burns.

Before you call for service



Below are some troubleshooting tips which can save you time and money. Please review the charts on the following pages. You may not need to call for service.

Problem	Possible Causes	What To Do
Noise	Some of the sounds you'll hear are normal	Detergent cup opening. The motor starting during the drying period. Water draining out of the tub immediately after you start the dishwasher.
	Utensils are not secure in the rack or something small has dropped into the rack	Make sure everything is secured in dishwasher.
	Motor hums	Dishwasher has not been used on a consistent basis. If you do not use your dishwasher for long periods of time, we recommended that you at least run the shortest wash program once every week. This will help keep the seal moist and help avoid the motor from making noises.
Detergent left in dispenser cups	Dishes block the Detergent dispenser	Reposition the dishes.
Water will not pump out of the tub	Drain is clogged	Check drain hose. Check the filter (See section titled "Cleaning The Filter") Check if your kitchen sink is draining properly. If not, please call a plumber.
Suds in the tub	Correct detergent was not used	 <p>Use only the special dishwasher detergent to avoid an overaccumulation and overflowing of soap suds. If this occurs, open the dishwasher and let suds evaporate. Add 1 gallon of cold water to the tub. Close the dishwasher and start the wash cycle to drain out the water. Repeat if necessary.</p>
	Rinse agent was spilled	
Stained dishwasher parts	Detergent with small colorant was used	Some detergents contain colorant (pigment or dyes) that will discolor the interior of the tub with extended use. Check the detergent cup for signs of any discoloration. If cup is discolored, change to a detergent without any colorant.
	Some tomato-based foods can stain	Use of the RINSE ONLY cycle after adding the dish to the load can decrease the chances of staining.
Dishes and flatware not clean	Low inlet water temperature	Make sure inlet water temperature is correct (120°F).
	Water pressure is temporarily low	Check your water pressure by turning on your faucet, if the water runs out slowly, please wait for the water to return to a normal pressure before dishwasher use.
	Air gap is clogged	Clean the air gap.
	Improper rack loading	Make sure large dishware does not block the detergent dispenser or the wash arms.


Before you call for service

Problem	Possible Causes	What To Do
Spots and filming on glasses and flatware	<i>Extremely hard water</i>	Use rinse agent to remove spots and prevent new film buildup.
	<i>Low inlet water temperature</i>	To remove stubborn spots and pre-existing film from glassware:
	<i>Overloading the dishwasher</i>	1 Remove all metal utensils from the dishwasher.
	<i>Improper loading</i>	2 Do not add detergent.
	<i>Old or damp powder detergent</i>	3 Turn your dishwasher on and begin your washing cycle. It takes about 30 minutes for the cycle to enter into its heaviest wash (the main wash). This is the best time to add the detergent.
	<i>Rinse agent dispenser empty</i>	4 Open the dishwasher door and pour 2 cups (500 ml) of white vinegar into the bottom of the dishwasher.
	<i>Too little detergent</i>	5 Close the dishwasher door and allow to complete the cycle. If vinegar rinse does not work, repeat the steps as above, using 1/4 cup (60 ml) of citric acid crystals instead of vinegar.
Cloudiness on glassware	<i>Combination of soft water and too much detergent</i>	This cloudiness is known as etching and can become permanent on your glassware. To prevent this from happening, use less detergent if you have soft water. Wash glassware using the shortest cycle that will get them clean.
	<i>Water temperature entering The dishwasher exceeds 150°F</i>	Lower the water heater temperature.
Black or gray marks on dishes	<i>Aluminum utensils have rubbed against dishes</i>	Remove marks with a mild, abrasive cleaner.
Yellow or brown film on inside surfaces of your cups.	<i>Tea or coffee stains</i>	Remove the stain by hand, using a solution of 1/2 cup bleach and 3 cups warm water.
	<i>An overall yellow or brown film can be caused by iron deposits in water</i>	A water softening filter should be installed. These can be purchased at most hardware stores and installed by a qualified plumber.
White film on inside surfaces of dishwasher	<i>Hard water minerals</i>	To clean the dishwasher interior, apply dishwasher detergent to a damp sponge. Wear rubber gloves. Do not use any type of cleanser other than dishwasher detergent as it may cause foaming or sudsing. ▲ CAUTION Before cleaning the interior wait at least 20 minutes after a cycle for the temperature to cool down. Failure to do may result in burns or injury.
Dishes aren't drying properly	<i>Low inlet water temperature</i>	Make sure inlet water temperature is correct (120 ° F).
	<i>Rinse agent dispenser is empty</i>	Check the rinse agent dispenser.
Dishwasher is not operating	<i>Fuse is blown, or the circuit breaker tripped</i>	Replace fuse or reset circuit breaker. Remove any other appliances from the circuit.
Steam	<i>This is normal</i>	Steam comes through the vent during washing, drying and when water is being pumped out.

Installation instruction

⚠ Attention:

The installation of the pipes and electrical equipments should be done by a professional.

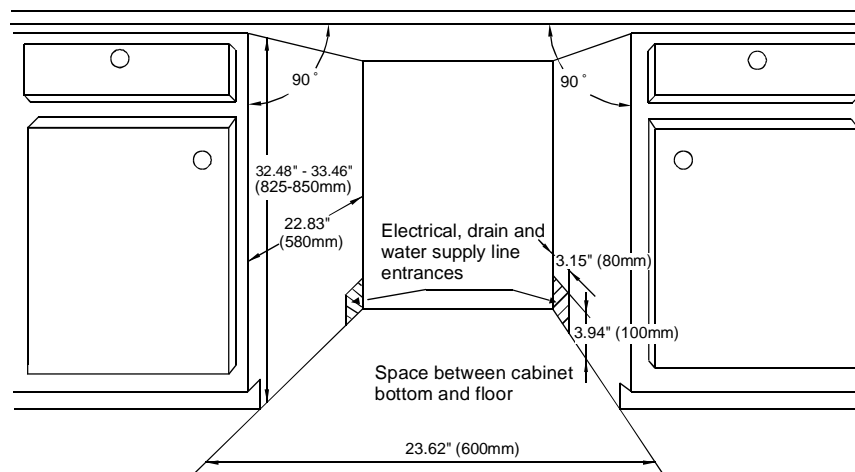
⚠ Warning	
	<p>Electrical Shock Hazard Disconnect electrical power before installing dishwasher.</p> <p>Failure to do so may result in electric shock or possible death.</p>

● Installation preparation

The installation location of the dishwasher should be near the existing inlet, drain hoses and power cord. One side of the cabinet sink should be chosen to facilitate the connection of drain hoses of the dishwasher.
Note: Please check the accompanying installation accessories (hook for aesthetic panel, screw)

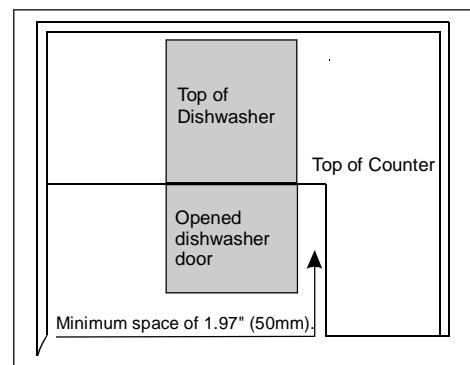
【 Figure 1 】

When installing your dishwasher, be sure to leave 0.2" (5mm) of space or less between the top of the dishwasher, including the closed door, and the countertop.



【 Figure 2 】

If your dishwasher is to be installed next to a wall or counter, be sure that there is a minimum space of 1.97" (50mm) between the opened dishwasher door and the adjacent wall or counter.



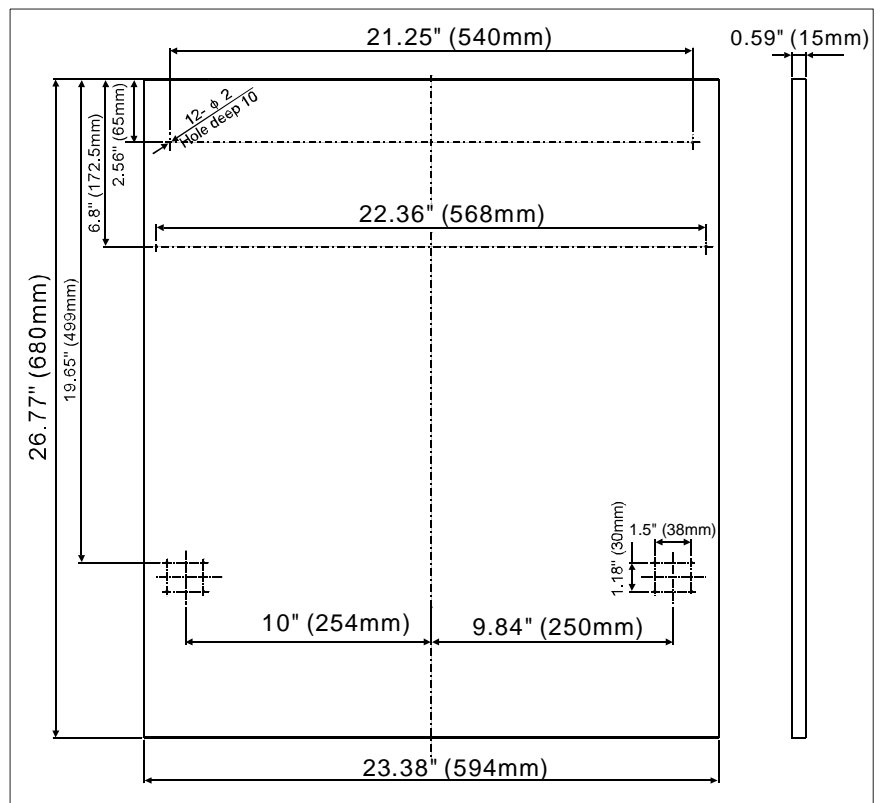
● Custom panel's dimensions and installation

1. The custom panel should be designed according to the measurements in Figure 3.

【 Figure 3 】

The custom panel should be designed and measured in accordance with the dimensions illustrated in Figure 3.

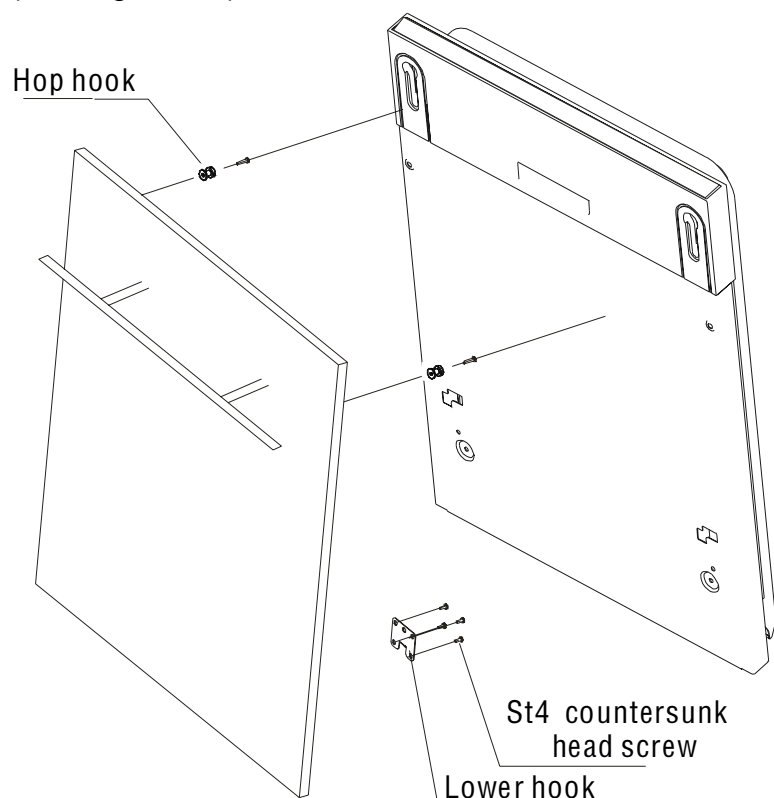
Units: Inches (Millimeters)



2. Install the hook on the custom panel and put the hook into the slot of the outer door of dishwasher (see figure 4a). After positioning the panel, attach the panel onto the outer door using screws and bolts (See figure 4b).

【 Figure 4a 】

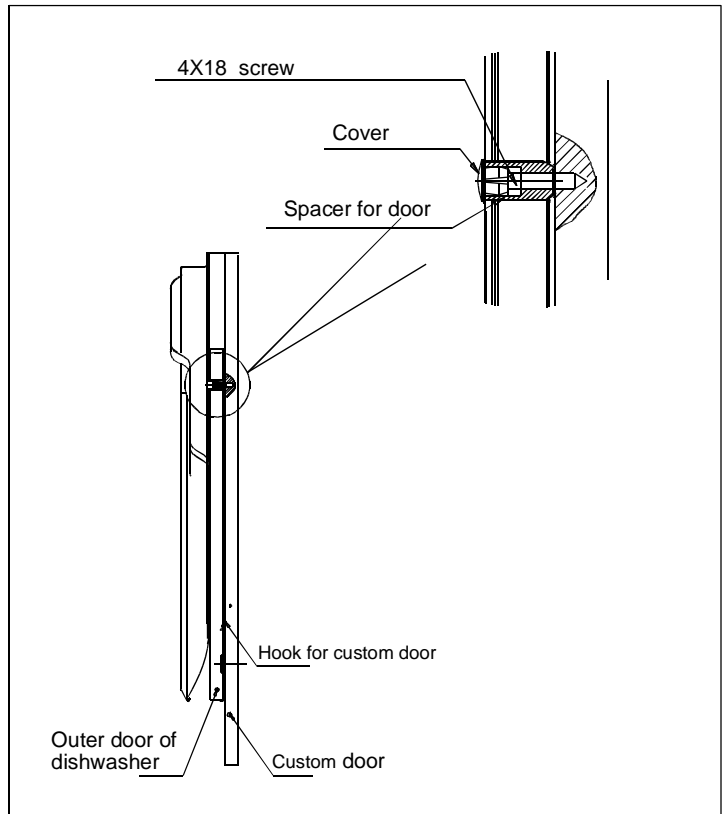
Installation of custom panel

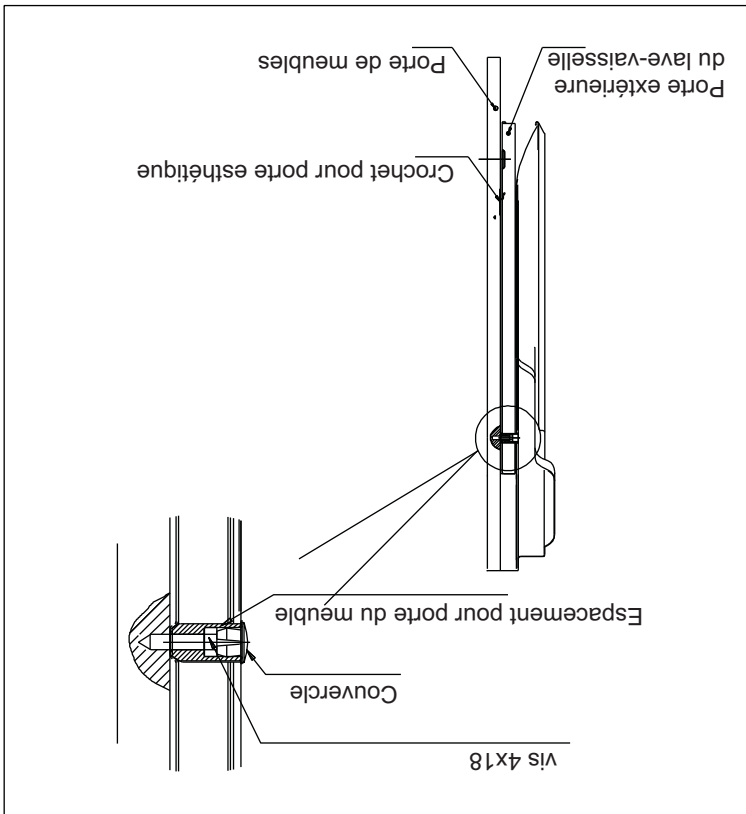


【 Figure 4b 】

Installation of custom panel

1. Remove the cover
2. Attach the screw
3. Replace the cover



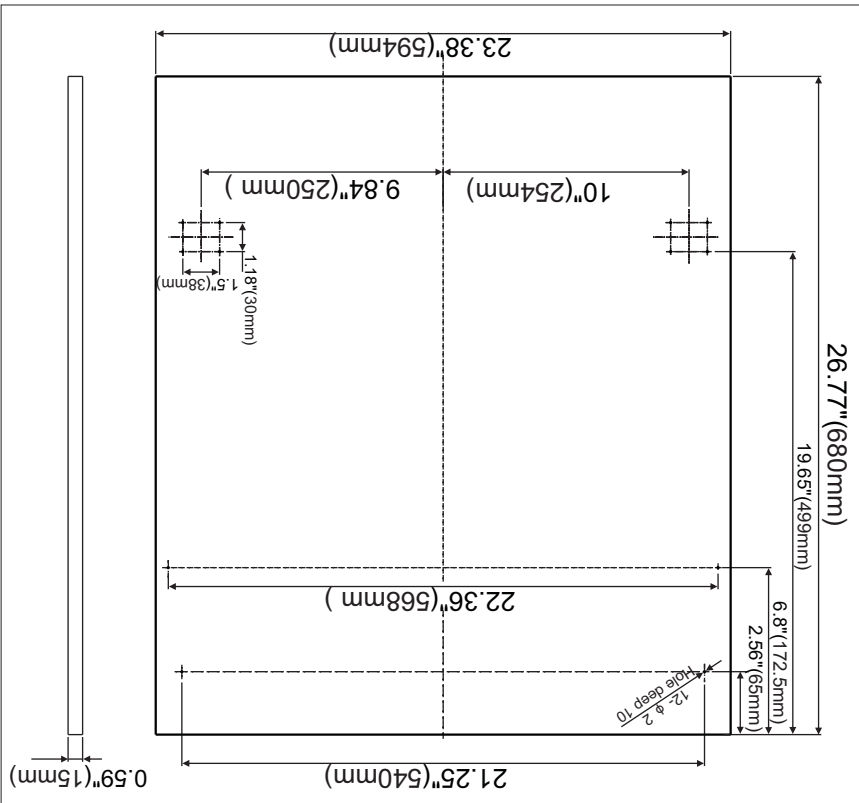


【 Figure4b 】
Installation du panneau esthétique en bois

1. Otez le capuchon
2. Plantez la vis
3. Retournez le capuchon

• Dimensions et installation de panneau esthétique

1. Le panneau esthétique en bois pourrait être traité conformément à la figure 3.

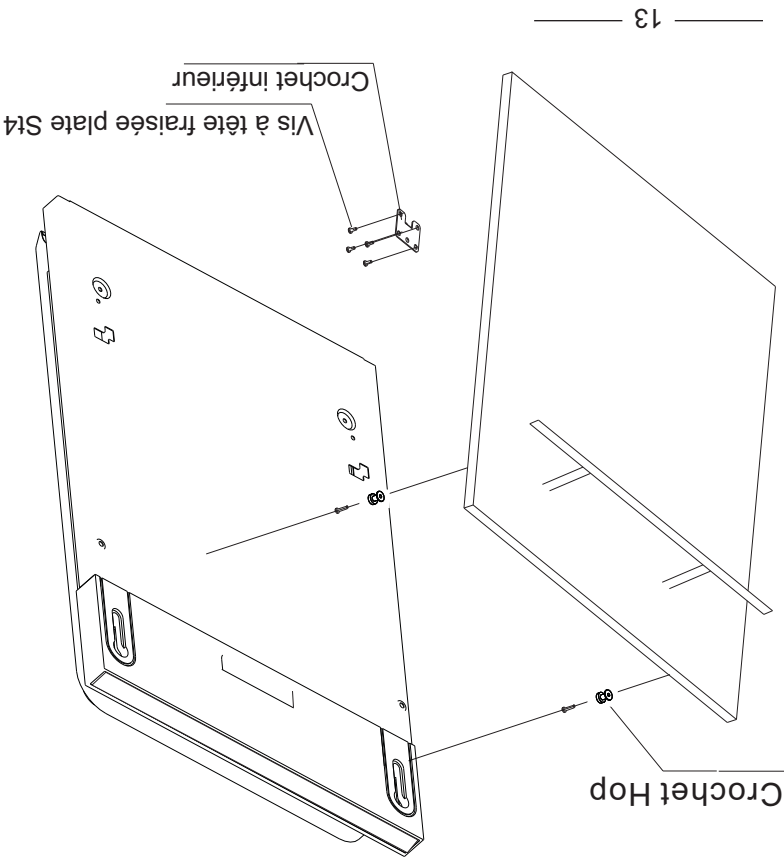


(Unité : mm)

Le panneau esthétique doit être traité en conformité avec les dimensions illustrées

【 Figure3 】

2. Installez le crochet sur le panneau esthétique en bois et de mettre le crochet dans la fente de la porte extérieure du lave-vaisselle (voir la Figure 4a). Après l'avoir positionné, fixez le panneau sur la porte extérieure avec des vis et des boulons (voir Figure 4b).



Installation du panneau esthétique

【 Figure4a 】

⚠ À l'attention de :

L'installation des conduites et des équipements électriques doit être effectuée par un professionnel.



Risque de choc électrique
Coupez l'alimentation électrique
avant d'installer le lave-vaisselle.
Ne pas le faire peut entraîner la mort
ou un choc électrique.

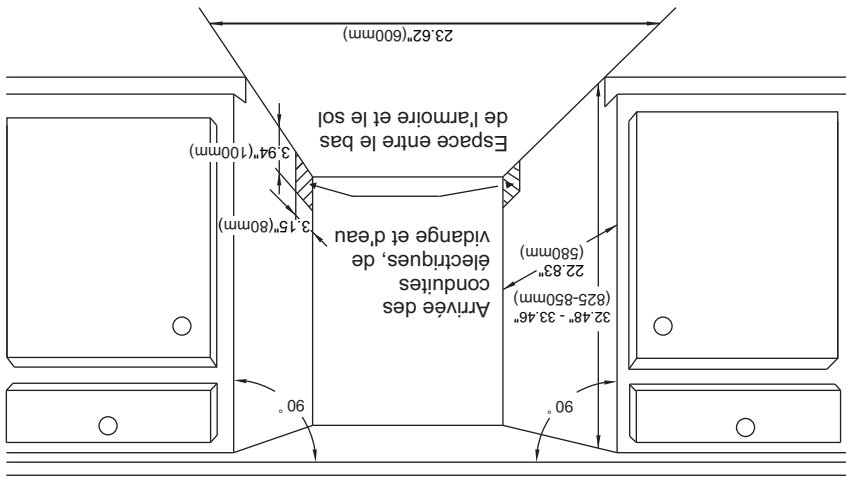
MISE EN GARDE

• Préparation de l'installation

La position d'installation du lave-vaisselle doit se trouver près des tuyaux d'arrivée d'eau et de vidange et du cordon d'alimentation existants.
Un côté de l'évier de l'armoire doit être choisi pour faciliter le raccordement des tuyaux de vidange du lave-vaisselle.
Remarque : Veuillez vérifier les accessoires d'installation joints (crochet pour panneau esthétique, vis)

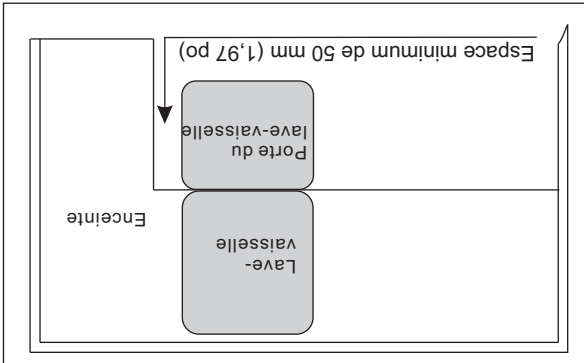
【 Figure1 】

Dimensions de l'armoire
Moins de 0,2 po (5 mm)
entre le haut du lave-
vaisselle et l'armoire, et la
porte extérieure alignée su
l'armoire.



【 Figure2 】

Espace minimum lorsque la porte est ouverte



Avant d'appeler le service

Problème	Causes possibles	Que faire
Traces et films sur les verres et les couverts	Eau très calcaire Basse température de l'arrivée d'eau Surcharge du lave-vaisselle Mauvais chargement Détergent en poudre vieux ou humide Distributeur de produit de rinçage vide Trop peu de détergent	Utiliser un produit d'aide au rinçage pour enlever les taches et prévenir une nouvelle accumulation de film. Pour enlever les taches tenaces et un film pré-existant de la verrerie : 1. Enlevez tous les ustensiles métalliques du lave-vaisselle. 2. N'ajoutez pas de détergent. 3. Lancez votre lave-vaisselle et commencez le cycle de lavage. Le cycle prend environ 30 minutes pour arriver à sa portion de lavage fort (le lavage principal). C'est le meilleur moment pour ajouter le détergent. 4. Ouvrez la porte du lave-vaisselle et versez 2 tasses (500 ml) de vinaigre blanc dans le fond du lave-vaisselle. Fermez la porte et laissez le lave-vaisselle terminer le cycle. Si le rinçage au vinaigre n'a pas d'effet : Répéter la séquence ci-dessus, mais utilisez ¼ de tasse (60 ml) de cristaux d'acide citrique au lieu du vinaigre
Des nuages sur la verrerie	Combinaisons d'eau douce et de trop de détergent	Lorsque cela se produit, les taches seront gravées à jamais dans votre verrerie. Pour éviter cela, utiliser moins de détergent si votre eau est adoucie. Lavez la verrerie dans le cycle de lavage le plus court.
La température d'arrivée d'eau du lave-vaisselle est supérieure à 150 °F	Baissez la température du chauffe-eau.	
Marques noires ou grises sur la vaisselle	Des ustensiles en aluminium se sont frottés à la vaisselle	Enlever les marques avec un nettoyeur abrasif doux.
Pellicule jaune ou brune sur les surfaces internes ou vos tasses	Taches de thé ou de café	Retirez la tache à la main, en utilisant une solution contenant ½ tasse d'eau de Javel et 3 tasses d'eau chaude.
Un film blanc sur les surfaces internes	Des minéraux provenant d'une eau dure	Pour nettoyer l'intérieur du lave-vaisselle, appliquez un détergent pour lave-vaisselle avec une éponge humide. Enfilez des gants en caoutchouc. N'utilisez pas un nettoyeur quelconque autre que du détergent pour lave-vaisselle car cela pourrait provoquer une mousse excessive.
Un film jaune ou brun global peut provenir de dépôts de fer dans l'eau	Un filtre spécial dans la conduite d'arrivée d'eau est la seule façon de résoudre ce problème. Contactez une entreprise d'adoucisseur d'eau.	
Un film blanc sur les surfaces internes	Des minéraux provenant d'une eau dure	Pour nettoyer l'intérieur du lave-vaisselle, appliquez un détergent pour lave-vaisselle avec une éponge humide. Enfilez des gants en caoutchouc. N'utilisez pas un nettoyeur quelconque autre que du détergent pour lave-vaisselle car cela pourrait provoquer une mousse excessive.
La vaisselle n'est pas bien sèche	Basse température de l'arrivée d'eau	Assurez-vous que la température d'arrivée d'eau est correcte (voir page 4).
Le distributeur du produit de rinçage est vide	Le distributeur du produit de rinçage est vide	Vérifiez le distributeur de produit d'aide au rinçage.
Le lave-vaisselle ne fonctionne pas	Le fusible est grillé ou le disjoncteur s'est déclenché	Remplacer le fusible ou ré-enclencher le disjoncteur. Retirez et lorsque l'eau est pompée.
Vapeur	Ceci est normal	De la vapeur sort par l'évent pendant le lavage, le séchage

Avant d'appeler le service

Voici quelques conseils de dépannage qui peuvent vous faire économiser du temps et de l'argent. Veuillez examiner les tableaux des pages suivantes. Vous pouvez ne pas avoir besoin d'appeler le service.



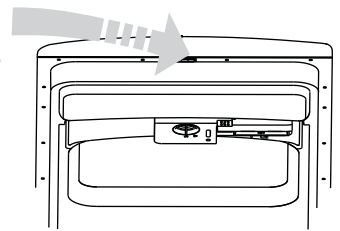
Problème	Causes possibles	Que faire
Bruit	Certains bruits que vous entendrez sont normaux	Ouverture du réservoir à détergent. Le démarrage du moteur au cours de la période de séchage. L'eau qui s'écoule de la cuve immédiatement après le démarrage du lave-vaisselle.
Reste de détergent dans le distributeur	Des plats bloquent le couvercle du détergent	Repositionnez les plats.
L'eau n'est pas pompée hors de la cuve	Le drain est bouché	Vérifier le tuyau de vidange. Vérifier le filtre (voir la section intitulée « Nettoyage du filtre ») Vérifier si votre évier de cuisine se vide correctement. Si non, appelez un plombier.
Savonnée dans la cuve	Le bon détergent n'a pas été utilisé	Utilisez uniquement le détergent spécial pour lave-vaisselle pour éviter un débordement de mousse de savon. Si cela se produit, ouvrez le lave-vaisselle et laissez la mousse retomber. Ajouter 1 gallon (4 litres) d'eau froide dans la cuve. Fermez et verrouillez le lave-vaisselle, puis Lancez le cycle de lavage pour évacuer l'eau. Répétez si nécessaire.
Des parties du lave-vaisselle sont tachées	Un détergent contenant un colorant a été utilisé	Certains détergents contiennent des colorants (pigments ou teintures) qui décolorent l'intérieur de la cuve lors d'une utilisation prolongée. Vérifiez si le réservoir à détergent présente des signes de décoloration. Si le réservoir est décoloré, utilisez un détergent sans colorant.
Assiettes et couverts pas propres	Basse température de l'arrivée d'eau est temporairement basse	Vérifiez la pression de l'eau en ouvrant le robinet, si l'eau s'écoule lentement, attendez qu'une pression normale de l'eau revienne avant d'utiliser le lave-vaisselle.
	L'arrivée d'air est bouchée	Nettoyez l'arrivée d'air.
	Mauvaise charge du panier	Assurez-vous que les grands ustensiles ne bloquent pas le distributeur de détergent ou les bras gicleurs.

Nettoyage de la porte

Pour nettoyer les rebords de la porte du lave-vaisselle, utilisez un chiffon doux, chaud et humide pour essuyer le pourtour de l'unité.

Pour empêcher l'eau de s'infiltrer dans la porte et les composants électriques, il est préférable de ne pas utiliser des nettoyeurs en aérosol sur le lave-vaisselle.

Il est également préférable de ne pas utiliser de nettoyeurs abrasifs ou de tampons à récure sur la surface externe du lave-vaisselle car ils ont tendance à griffer et à laisser des traces, comme le font certaines serviettes en papier.



⚠ AVERTISSEMENT! Ne jamais utiliser un spray nettoyant pour nettoyer le panneau de porte car cela pourrait endommager la serrure de la porte et les composants électriques.

Garder votre lave-vaisselle en parfait état

■ Prenez soin de votre lave-vaisselle

pendant les vacances
Si vous devez partir en vacances, nous vous recommandons de suivre la procédure ci-dessous pour garder l'unité au meilleur de sa forme. Lancez un cycle de lavage avec le lave-vaisselle vide, puis débranchez la fiche de la prise, couper l'arrivée d'eau et laissez la porte de la machine entrouverte. Cela permettra aux joints de durer plus longtemps et empêchera les odeurs de se former dans la machine.

■ Déplacement de l'appareil

Si la machine doit être déplacée, essayez de la garder en position verticale. Si absolument nécessaire, elle peut être positionnée sur son dos.

Entretien des joints
Les aliments coincés dans les joints du lave-vaisselle sont l'un des nombreux facteurs qui peuvent causer des odeurs. Un nettoyage périodique avec une éponge humide empêchera que cela se produise.

■ Après chaque lavage

Après chaque lavage, fermez le robinet d'eau de la machine et laissez la porte légèrement entrouverte pour que l'humidité et les odeurs ne soient pas piégées à l'intérieur de la machine.

■ Retirer le bouchon

Avant toute opération de nettoyage ou d'entretien du lave-vaisselle, il est recommandé de débrancher la machine de la prise électrique par mesure de sécurité.

■ N'utilisez pas de produits de nettoyage abrasifs

Lors du nettoyage des parties extérieures et en caoutchouc du lave-vaisselle, nous vous recommandons de ne pas utiliser de solvants ou de produits abrasifs, et de n'utiliser qu'un chiffon et de l'eau chaude savonneuse. Pour enlever les tâches de la surface interne, utilisez un chiffon humidifié avec de l'eau et un peu de vinaigre blanc ou un produit de nettoyage spécialement conçu pour les lave-vaisselle.

À propos de la connexion à l'électricité

⚠ ATTENTION, pour la sécurité personnelle:
NE PAS UTILISER UN CORDON EXTERNE OU D'UNE PRISE ADAPTATEUR POUR FAIRE FONCTIONNER CE LAVE-VAISSELLE.
POUR QUELQUE RAISON QUE CE SOIT, NE PAS COUPER OU ENLEVER LA BROCHE DE MISE À LA TERRE DU CORDON D'ALIMENTATION

Exigences électriques

Ce lave-vaisselle est conçu pour fonctionner sur un individuellement sur une prise de 120 VAC-60 Hz, correctement câblée. Utilisez un fusible de 15 ampères requis. L'alimentation électrique du fusible doit se faire par un fil de cuivre seulement. Un fusible de ou disjoncteur temporisation est recommandé et fournira un circuit distinct exclusif pour cette machine. La prise doit être placée dans une armoire adjacente.

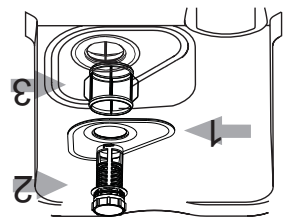
Branchement électrique

Après avoir vérifié que les valeurs de tension et de fréquence du courant dans la maison correspondent à celles de la plaque signalétique et que le système électrique est dimensionné pour la tension maximale sur la plaque signalétique, insérer la fiche dans une prise électrique correctement reliée à la terre. Si la prise de courant n'est pas appropriée pour la fiche, remplacez la fiche, au lieu d'utiliser des adaptateurs car ceux-ci pourraient provoquer une surchauffe et des brûlures.

⚠ AVERTISSEMENT!
Assurez-vous que la mise à la terre est appropriée avant utilisation

Système de filtre

Pour votre commodité, nous avons placé la pompe de drainage et le système de filtrage à portée de main dans la cuve. Le système de filtration a trois composantes : le filtre principal, le filtre grossier et le filtre fin.



1. **Filtre principal**
Les aliments et les particules souillées arrêtés par ce filtre sont broyés par un jet spécial du bras gicleur inférieur et éliminés par l'évacuation.
2. **Filtre grossier**
Les articles volumineux, tels que morceaux d'os ou de verre, qui pourraient obstruer le drain sont piégés dans le filtre grossier. Pour supprimer un élément pris dans le filtre, presser doucement les ongles en haut de ce filtre et sortez-le.
3. **Filtre fin**
Ce filtre retient la saleté et les résidus alimentaires dans le puisard et les empêche de se redéposer sur la vaisselle pendant un cycle.

Soins à apporter au lave-vaisselle

Pour nettoyer le panneau de commande du lave-vaisselle, utilisez un chiffon légèrement humidifié, puis bien séchez l'extérieur de l'appareil, utilisez une bonne cire polish pour appareils. Ne jamais utiliser d'objets tranchants, de tampons à récurer ou de nettoyeurs agressifs sur une partie quelconque du lave-vaisselle.

Protection contre les dégâts de pompe gelée

Il est important de protéger vos pompes contre les dégâts du gel causés par une baisse de la température interne de la maison qui doit être maintenue au-dessus de 34 °F. Si la température de votre maison reste en dessous de 34 °F pendant longtemps, de la glace pourrait s'accumuler dans les conduites et autour des moteurs. Demandez à votre plombier de procéder aux étapes ci-dessous si vos conduites d'eau gèlent.

1. Couper l'alimentation électrique du lave-vaisselle.
2. Coupez l'arrivée d'eau et débranchez le tuyau d'arrivée d'eau du robinet d'eau.
3. Drainer l'eau provenant du tuyau d'arrivée et la vanne d'eau. (Utilisez une casserole pour recueillir l'eau)
4. Reconnecter le tuyau d'arrivée d'eau à la vanne d'eau.
5. Retirez le filtre au fond de la cuve et utilisez une éponge pour absorber l'eau dans le puisard.

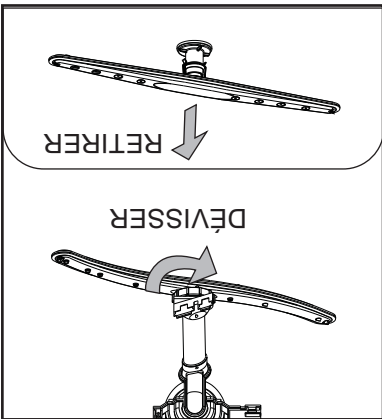
REMARQUE : Si votre lave-vaisselle ne peut pas fonctionner à cause de la glace, veuillez contacter des professionnels de services.

Nettoyage des bras gicleurs

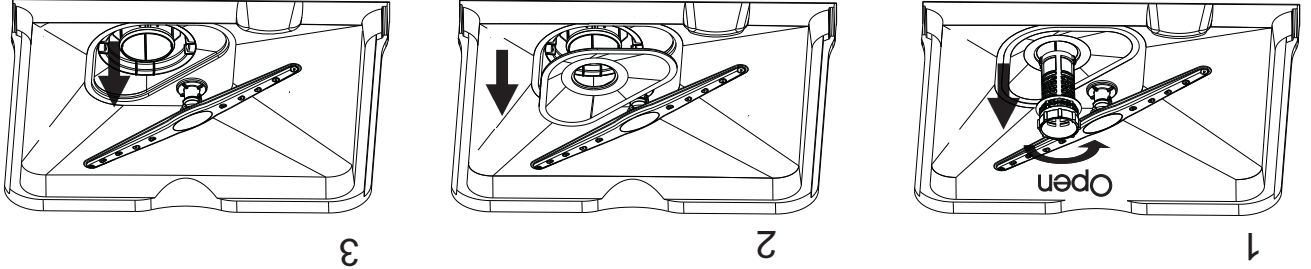
Il est nécessaire de nettoyer les bras gicleurs régulièrement afin d'empêcher l'obstruction des buses et des roulements par les produits chimiques de l'eau dure.

Pour retirer le bras gicleur supérieur, dévisser l'écrou dans le sens horaire, puis retirez le bras.

Pour retirer le bras gicleur inférieur, soulevez le bras gicleur vers le haut. Laver les bras à l'eau chaude et savonneuse et utilisez une brosse douce pour nettoyer les buses. Remplacez-les après les avoir rincé soigneusement.



Nettoyage des filtres



- Étape 1 : Tourner le filtre dans le sens antihoraire, puis soulevez-le.
- Étape 2 : Soulevez le filtre principal
- Étape 3 : Soulevez le filtre fin

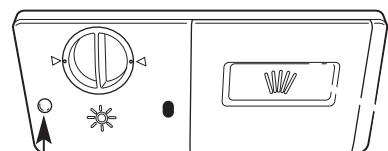
REMARQUE Veuillez suivre les étapes 1 à 3 afin de retirer le système de filtration. Pour réinstaller, suivez les étapes dans l'ordre inverse.

Quand remplir le distributeur de produit d'aide au rinçage

Lorsque le lave-vaisselle commence à manquer de produit d'aide au rinçage, l'indicateur du distributeur montrera le point noir de taille réduite. Lorsque le produit d'aide au rinçage dans le distributeur diminue, la taille du point noir diminue. Il ne faut jamais laisser le produit d'aide au rinçage descendre en dessous de $\frac{1}{4}$ plein.

Lorsque le produit d'aide au rinçage diminue, la taille du point noir sur l'indicateur de niveau change, comme illustré ci-dessous.

- Plein
- $\frac{3}{4}$ plein
- $\frac{1}{2}$ plein
- $\frac{1}{4}$ plein - À remplir pour éviter les taches
- Vide



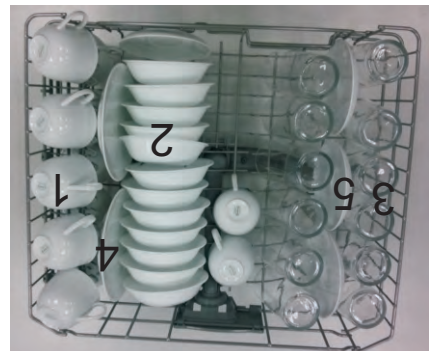
Indicateur

Chargement des paniers du lave-vaisselle

Pour une meilleure performance du lave-vaisselle, suivez ces directives de chargement. Les caractéristiques et l'apparence des paniers et des paniers à couverts peuvent varier selon le modèle.

Utilisation du panier supérieur

Le panier supérieur est conçu pour contenir la vaisselle fragile et légère comme des verres, de petites assiettes, des bols et des plats peu profonds (s'ils ne sont pas trop sales). Placez les plats et ustensiles de cuisine afin qu'ils ne puissent pas se déplacer sous le jet d'eau. La hauteur du panier supérieur peut être changée en ajustant la hauteur des roues dans le rail.

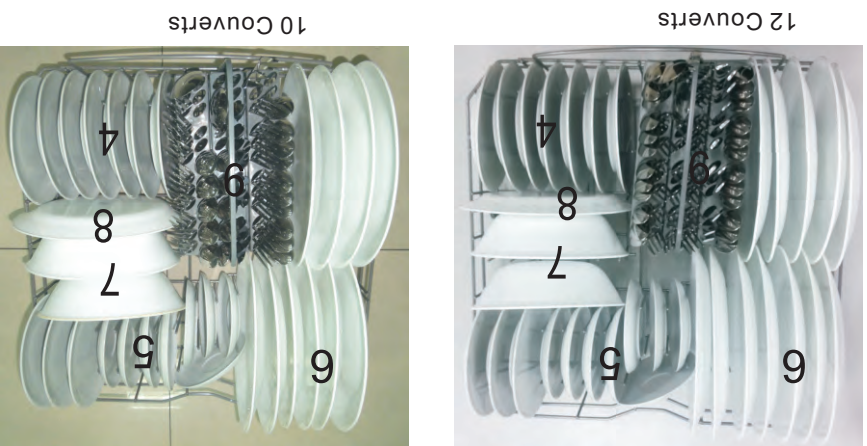


1. Tasses
2. Petit bol
3. Verres
4. Assiettes à pain et beurre
5. Soucoupe

Utilisation du panier inférieur

Nous recommandons de placer les gros articles qui sont les plus difficiles à nettoyer dans le panier inférieur: casseroles, poêles, couvercles, plats et bols; comme illustré dans la figure ci-dessous. Il est recommandé de placer les plats à servir et les couvercles sur le côté des paniers afin d'éviter de bloquer la rotation du bras gicleur.

- Les pots, bols à servir, etc., doivent toujours être placés retournés.
- Les pots profonds doivent être inclinés pour permettre à l'eau de s'écouler.
- Le panier inférieur contient des rangées à replier à utiliser sur des casseroles et poêles plus grandes.



4. Assiettes à pain et beurre
5. Soucoupe
6. Grandes assiettes
7. Bol à servir
8. Plat à servir
9. Panier à couteaux

DISTRIBUTEUR DE DÉTERGENT

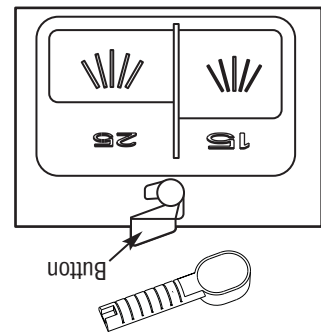
Remarque : Veuillez utiliser uniquement la quantité recommandée de détergent à vaisselle afin d'assurer le bon fonctionnement de l'adoucisseur d'eau incorporé.

Le distributeur de détergent doit être rempli avant le début de chaque cycle de lavage, veuillez suivre les instructions fournies dans le manuel « Tableau des cycles de lavage » à la page 4.

En règle générale, vous n'avez besoin que d'une cuillère à soupe de détergent à vaisselle pour un lavage normal de plats; pour un chargement plus souillé, veuillez consulter les instructions sur l'emballage du détergent. Assurez-vous d'ajouter le détergent juste avant de lancer le lave-vaisselle.

Utilisation de détergent

Veuillez suivre les instructions au dos de l'emballage du détergent pour la bonne quantité à utiliser pour le type de chargement à laver. La quantité de détergent peut varier en fonction du degré de dureté de l'eau. Pour déterminer la consistance de l'eau, veuillez contacter votre compagnie locale des eaux. En général, plus l'eau est calcaire, plus vous devrez utiliser de détergent.



⚠ AVERTISSEMENT!

Garder les liquides à lave-vaisselle hors de la portée des enfants car ils sont très dangereux pour eux.

Utilisation appropriée de détergent

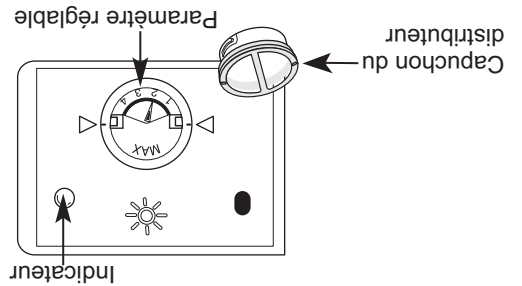
Utilisez uniquement un détergent spécialement conçu pour les lave-vaisselles. Gardez votre détergent au frais et au sec. Veuillez ne pas stocker de détergent dans le distributeur jusqu'au moment de l'utilisation.

Enlever les tâches d'eau calcaire

Pour enlever les tâches d'eau calcaire, essayez dans l'ordre les étapes suivantes :

- Faites tourner un programme de lavage normal.
- Retirez toute la vaisselle en métal, comme les couverts, les casseroles, etc., du lave-vaisselle.
- N'ajoutez pas de détergent.
- Versez deux tasses de vinaigre dans un bol et placez le bol à l'endroit sur le panier inférieur du lave-vaisselle.

DISTRIBUTEUR DE PRODUIT D'AIDE AU RINGAGE

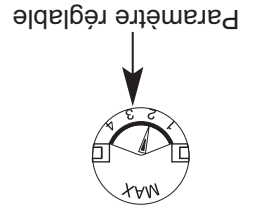


- Pour ouvrir le distributeur, tournez le capuchon sur la flèche « ouvrir » (vers la gauche) et un levé le capuchon jusqu'à l'ouvrir.
- Versez le produit d'aide au ringage dans le distributeur en faisant attention de ne pas trop le remplir.
- Remettez le capuchon en l'alignant avec la flèche « ouvrir » et en le tournant sur la position de fermeture de la flèche (vers la droite).

Réglage du distributeur de produit d'aide au ringage

Une quantité mesurée de produit d'aide au ringage est libérée pendant le ringage final pour faciliter un ringage correct de la vaisselle, les protégeant contre des résidus et des stries. Comme avec le détergent, la quantité de produit d'aide au ringage nécessaire pour votre vaisselle dépend de la dureté de l'eau dans votre région. Si votre eau de ménage est très douce, vous pouvez devoir diluer ou omettre le produit d'aide au ringage.

Le distributeur de produit d'aide au ringage est conçu avec quatre paramètres, veuillez commencer vos cycles de lavage avec le distributeur sur le réglage n° 2. Si des tâches et des stries sont évidentes, augmentez la quantité de produit d'aide au ringage en enlevant le capuchon du distributeur et en tournant la molette de réglage sur le n° 3. Si les plats sont pas toujours sèches correctement ou sont tachetés, augmentez le réglage final sur le n° 4.



Program	Prélavage 1	Prélavage 2	Prélavage 3	Lavage principal	Rinçage 1	Rinçage 2	Rinçage 3	Séchage
Lourd	■	■	■	■	■	■	■	■
Normal	■	-	-	■	■	■	■	■
Eco	■	-	-	■	■	■	■	■
Vitesse	■	■	-	■	■	■	■	■
Verrerie	■	-	-	■	■	■	■	■
Rinçage	■	■	-	-	-	-	-	-

La température de l'eau d'entrée doit être de 120 °F. Si cette température est inférieure, la performance de lavage sera compromise.

REMARQUE:



Program	Informations sur la sélection des cycles	Description du cycle	Temps restant (min)	Eau (Gall)	Aide au rinçage
Lourd	<p>Pour tous les chargements particulièrement sales, comme les casseroles, poêles, pot-au-feu et plats qui sont restés avec de la nourriture séchée pendant un certain temps. Prélavage</p>	Prélavage Prélavage Lavage principal 140°F (60 °C) Rinçage Rinçage Rinçage à 140°F (60 °C) Séchage	130	6.42	
Normal (AHAM)	<p>Pour les chargements normalement sales, comme des pots, assiettes, verres et casseroles un peu souillés, cycle journalier standard.</p>	Prélavage Prélavage Lavage principal 122°F (50°C) Rinçage Rinçage à 131°F (55°C) Séchage	130/140	3.65	Oui
Eco	<p>Pour les chargements peu sales, comme des assiettes, verres, bols et casseroles légèrement sales.</p>	Prélavage Prélavage Lavage principal 122°F (50°C) Rinçage Rinçage à 122°F (50°C) Séchage	95	3.70	
Vitesse	<p>Un lavage plus court pour les chargements peu souillés qui n'ont pas besoin de séchage.</p>	Prélavage Prélavage Lavage principal 131°F (55°C) Rinçage Rinçage à 131°F (55°C) Séchage	80	4.57	
Verrerie	<p>Pour les plats et les verres qui n'ont besoins que d'être rincés et séchés.</p>	Prélavage Lavage principal 122°F (50°C) Rinçage Rinçage à 122°F (50°C) Séchage	90	3.65	Oui
Rinçage	<p>Pour rincer des chargements qui seront lavés plus tard. N'UTILISEZ PAS de détergent avec ce cycle; ce cycle n'utilise pas de chauffage pour le séchage.</p>	Prélavage Prélavage	25	1.93	

TABLEAU DES CYCLES DE LAVAGE

IMPORTANT!

Pour obtenir les meilleures performances de votre lave-vaisselle, lire toutes les instructions de fonctionnement avant de l'utiliser pour la première fois.

Panneau de contrôle



1. Fenêtre d'affichage
 Dans cet écran, vous verrez le temps restant du programme, les options de délai, l'indicateur de la phase d'exécution, l'indicateur du programme, haute température, séchage à la chaleur, les voyants de l'aide au rinçage et les codes d'erreur.

2. Touche Delay
 Cette option vous permet de retarder le début d'un cycle de lavage jusqu'à 24 heures. Lorsque le lave-vaisselle est en marche, appuyez sur la touche **DELAY** pour choisir le nombre d'heures de délai pour le début du cycle de lavage. Les heures sont indiquées dans la fenêtre d'affichage.
 Remarque : Pour annuler l'option heure de délai avant que le cycle de lavage ne commence, appuyez plusieurs fois sur la touche **DELAY** jusqu'à ce que l'écran affiche 0:00.

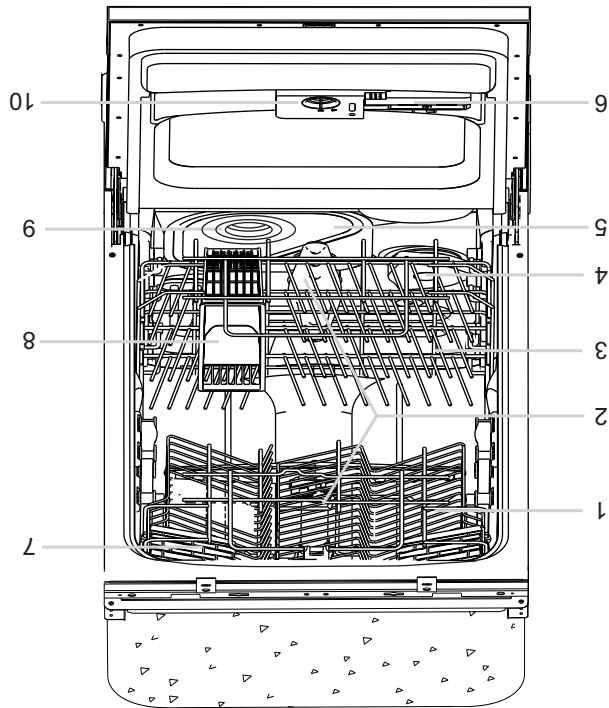
3. Bouton Options
 (1) Appuyez sur le bouton **OPTIONS** : « Hi temp » sera choisi;
 (2) Appuyez sur le bouton **OPTIONS** deux fois : « séchage à la chaleur » sera choisi;

A propos des options :
HI TEMP Lorsque l'option « Hi Temp » (Haute température) est sélectionnée, la température de l'eau atteindra 140 °F (60°C) max.
HEAT DRY Lorsque l'option « Heat Dry » (séchage à la chaleur) est sélectionnée, le chauffage fonctionnera pour le séchage.

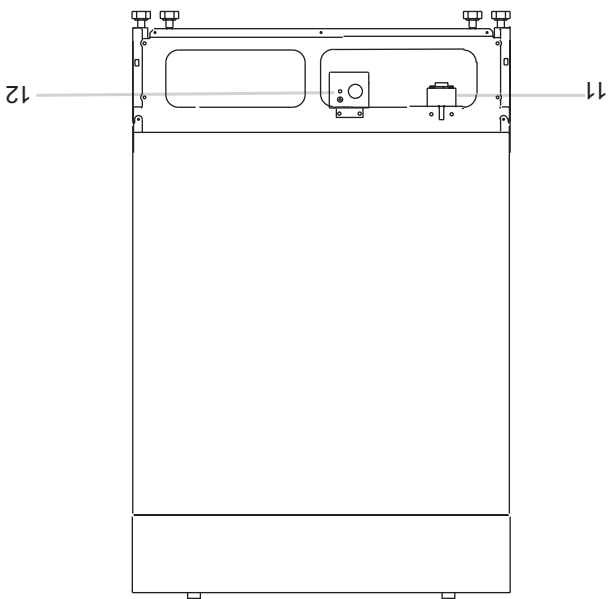
4. Bouton Cycles
 Lorsque le lave-vaisselle est allumé, vous pouvez appuyer sur le bouton **Cycles** pour sélectionner le cycle de lavage désiré. Un voyant sur l'écran indique quel cycle a été sélectionné.

5. Touches de mise sous tension
 Appuyez sur la touche **POWER** (tension) pour allumer la machine et commencer le lavage. Le voyant DEL s'affiche lorsque le lave-vaisselle est en marche.

Fonctionnalités du lave-vaisselle



- 1. Panier supérieur
- 2. Bras gicleurs
- 3. Panier inférieur
- 4. Adoucisseur d'eau
- 5. Filtre principal
- 6. Distributeur de détergent
- 7. Étagère à tasses
- 8. Panier à couteaux
- 9. Filtre
- 10. Distributeur d'aide au rinçage
- 11. Valve d'admission
- 12. Boîte de connexion



IMPORTANTES CONSIGNES DE SÉCURITÉ LISEZ L'INTÉGRALITÉ DE CES INSTRUCTIONS AVANT UTILISATION

⚠ AVERTISSEMENT !

Lorsque vous utilisez votre lave-vaisselle, suivez les précautions de base ci-dessous, y compris ce qui suit:

INSTRUCTIONS DE MISE À LA TERRE



⚠ AVERTISSEMENT !

- Une connexion inappropriée du conducteur de mise à la terre peut entraîner un risque de choc électrique. Consultez un électricien ou un représentant qualifié si vous doutez de la mise à la terre de l'appareil. Ne modifiez pas la fiche fournie avec la machine. Si elle n'est pas adaptée à la prise, faites installer une prise adéquate par un électricien qualifié.

- Cet appareil doit être mis à la terre. En cas de dysfonctionnement ou de panne, la mise à la terre réduira le risque de choc électrique en fournissant un chemin de moindre résistance au courant électrique. Cet appareil est équipé d'un cordon avec un conducteur de mise à la terre et une fiche de terre. La fiche doit être branchée dans une prise appropriée qui est installée et mise à la terre conformément à tous les codes et règlements locaux.

AVERTISSEMENT ! UTILISATION CORRECTE



- Ne placez pas d'objets lourds ou ne montez pas sur la porte quand elle est ouverte. L'appareil pourrait basculer vers l'avant.
- Lorsque vous chargez le lave-vaisselle :
1) Placer les objets coupants de façon à ce qu'ils ne soient pas susceptibles d'endommager le joint de la porte ;
2) Placer les couteaux avec le manche en l'air pour réduire le risque de se couper.
- Lorsque vous utilisez votre lave-vaisselle, vous devez éviter que des éléments en plastique n'entrent en contact avec l'élément de chauffage. Si le cordon d'alimentation est endommagé, il doit être remplacé par le fabricant, son agent de service ou une personne qualifiée similaire afin d'éviter un risque.
- Veuillez disposer des matériaux d'emballage correctement. Utilisez le lave-vaisselle seulement pour sa fonction prévue.
- Retirez la porte du compartiment de lavage lorsque vous remplacez un vieux lave-vaisselle ou le mettez au rebut
- Les enfants doivent être surveillés pour s'assurer qu'ils ne jouent pas avec la machine.
- Vérifiez que le récipient à détergent est vide à la fin du cycle de lavage.

- Ne pas abuser, s'asseoir ni monter sur la porte ou les parois du lave-vaisselle.
- Ne pas toucher l'élément chauffant pendant ou immédiatement après utilisation.
- Ne pas laver d'articles en plastique à moins qu'ils ne portent un marquage comme quoi peuvent aller au lave-vaisselle. Pour les articles en plastique non marqués, examinez les recommandations du fabricant.
- Utilisez uniquement les détergents et additifs ringage conçus pour un lave-vaisselle automatique. N'utilisez jamais de savon, de détergent à lessive ou de détergent de lavage des mains dans votre lave-vaisselle. Gardez ces produits hors de la portée des enfants.
- Gardez les enfants loin des détergents et des produits de ringage, de la porte ouverte du lave-vaisselle, car il pourrait encore y avoir du détergent à l'intérieur.
- La porte ne doit pas être laissée ouverte car on pourrait s'y prendre et trébucher.
- Lors de l'installation, l'alimentation électrique ne doit pas être excessivement ou dangereusement pliée ou aplatie.
- Ne pas jouer avec les commandes.
- L'appareil n'est pas conçu pour être utilisé sans surveillance par de jeunes enfants ou des personnes handicapées.
- Les détergents pour lave-vaisselle sont fortement alcalins, et peuvent être extrêmement dangereux en cas d'ingestion. Évitez tout contact avec la peau et les yeux, et éloignez les enfants du lave-vaisselle lorsque la porte est ouverte.
- Ne faites fonctionner votre lave-vaisselle que si tous les panneaux de l'enceinte sont bien en place. Ouvrez la porte avec beaucoup d'attention si le lave-vaisselle est en marche, il y a un risque que l'eau gicle.

LIRE ET SUIVRE CES CONSIGNES DE SÉCURITÉ ; CONSERVER SOIGNEUSEMENT CES CONSIGNES GARDEZ CES INSTRUCTIONS

FONCTIONNALITÉS DU LAVE-VAISSELLE

Le Modèle LFA-751T de Fagor possède plusieurs fonctionnalités qui le distinguent de la concurrence. Elles sont :

Caractéristiques de délai



Elle permet de retarder le démarrage du programme de 24 h. La fonctionnalité de délai vous permet de programmer le lave-vaisselle au choix, vous économisant du temps et de l'argent.

Alerte d'erreur



Les codes d'erreur sur l'écran vous informent des problèmes que rencontre le lave-vaisselle.

Indicateur d'avertissement d'aide au rinçage



Lorsque le produit d'aide au rinçage de la machine commence à manquer une alerte sur le panneau vous indique clairement de le remettre à niveau. Ceci permet de faire fonctionner la machine à sont rendement maximum.

Enveloppe en acier inoxydable



L'enveloppe en acier inoxydable du lave-vaisselle est en acier durable et résistant aux souillures.

6 Programmation du lave-vaisselle



En fonction de vos besoins de nettoyage, vous pouvez choisir l'un des 6 cycles préprogrammés pour mieux nettoyer vos plats. Choisissez entre **Lourd**, **Normal**, **Eco**, **Rinçage**, **Verrerie et Vitresse**.

REMARQUE :



Le fabricant peut apporter des modifications sans préavis.

Lave-Vaisselle

Inscrivez vos numéros de modèle et de série numéros ici :

Modèle : LFA-751T

No. de série

FONCTIONNALITÉS DU LAVE-VAISSELLE1

IMPORTANTES CONSIGNES DE SÉCURITÉ2

MODE D'EMPLOI

Panneau de contrôle.....3

Fonctionnalités du lave-vaisselle.....3

Tableau Des Cycles De Lavage4

Distributeur De Détergent5

Distributeur De Produit D'aide Au Ringage5

Chargement Des Paniers Du Lave-Vaisselle6

Panier À Couteaux7

SYSTÈME DE FILTRE8

Soins à apporter au lave-vaisselle8,9

Conseils de dépannage

Avant d'appeler le service10,11

Instructions d'installation.....12,13,14

Manuel d'utilisation



FAGOR

43 Moonachie Rd.
Hackensack, NJ 0760

Free Manuals Download Website

<http://myh66.com>

<http://usermanuals.us>

<http://www.somanuals.com>

<http://www.4manuals.cc>

<http://www.manual-lib.com>

<http://www.404manual.com>

<http://www.luxmanual.com>

<http://aubethermostatmanual.com>

Golf course search by state

<http://golfingnear.com>

Email search by domain

<http://emailbydomain.com>

Auto manuals search

<http://auto.somanuals.com>

TV manuals search

<http://tv.somanuals.com>