

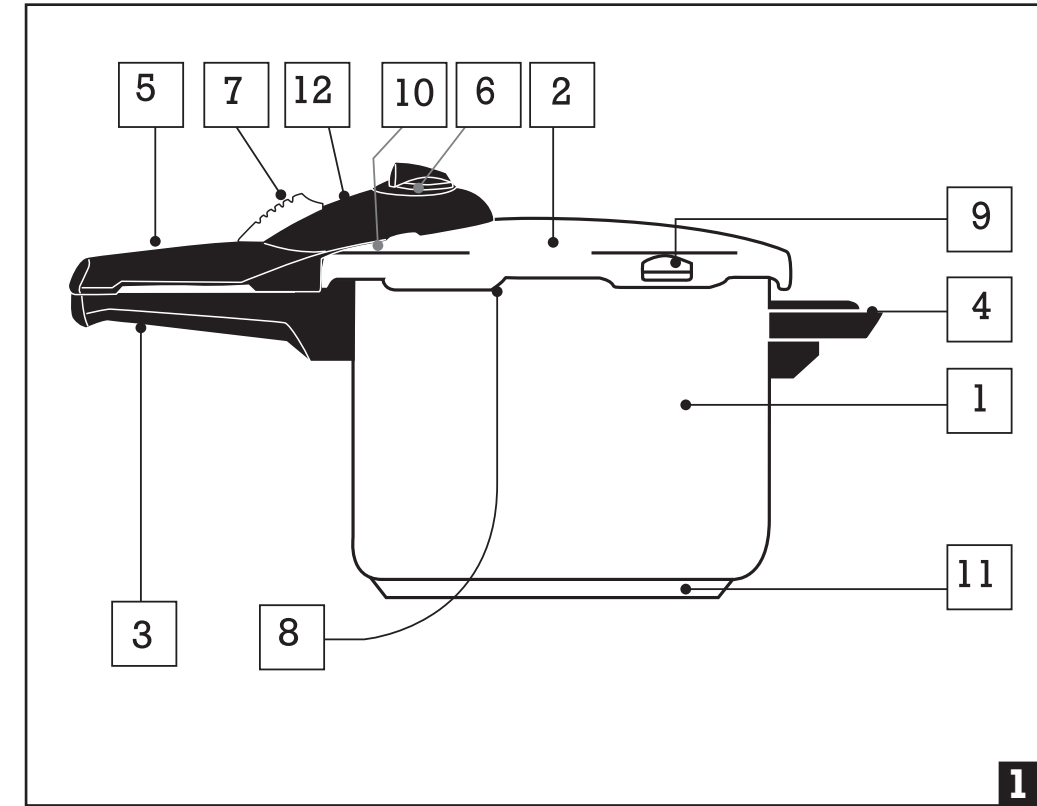


splendid  
**PRESSURE COOKER**  
 The Single Most Important Piece of Cookware You'll Ever Own

**User's Manual**



  
 Shop online for replacement parts and accessories at:  
[www.fagoramerica.com](http://www.fagoramerica.com)



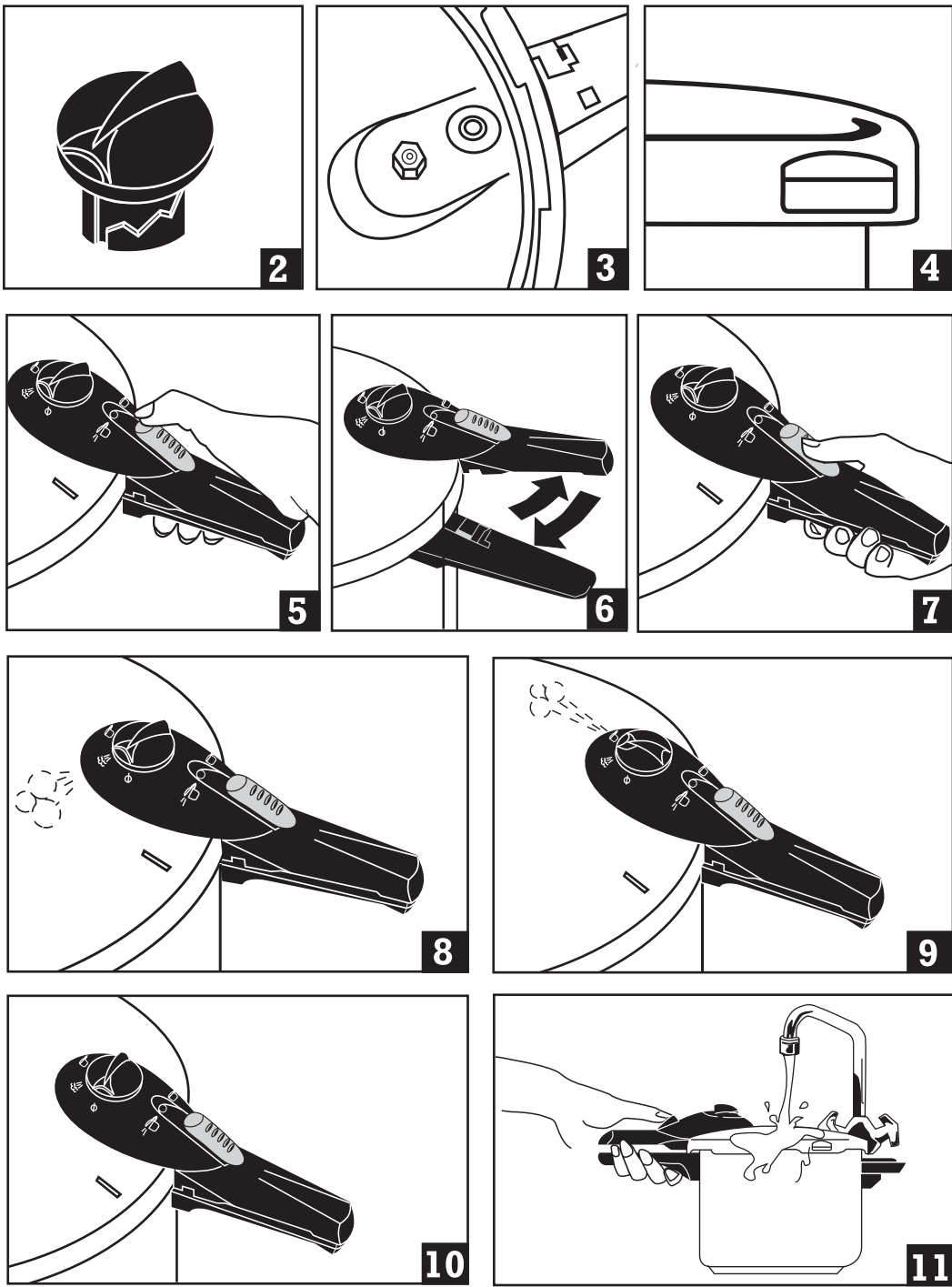
- 1. Pressure Cooker Pot
- 2. Lid
- 3. Base Handle
- 4. Support Grip
- 5. Lid Handle
- 6. Operating Valve

- 7. Pressure Safety Lock
- 8. Silicone Gasket
- 9. Safety Vent
- 10. Automatic Safety Valve
- 11. Thermo Heat Conductive Base
- 12. Indicator

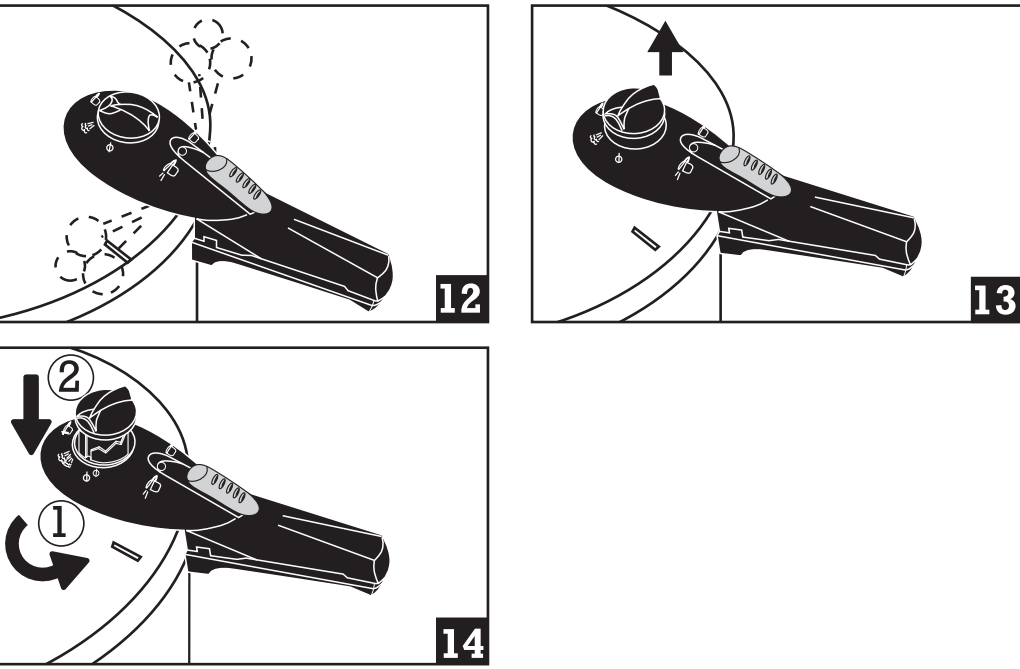
**FAGOR AMERICA, INC.**  
**PO BOX 94,**  
**Lyndhurst, N.J. 07071**  
**Web page: [www.fagoramerica.com](http://www.fagoramerica.com)**  
**email: [info@fagoramerica.com](mailto:info@fagoramerica.com)**

MADE IN CHINA

Figures 2 - 11 (as discussed in User's Manual)



Figures 12 - 14 (as discussed in User's Manual)



**LIMITED WARRANTY**

This pressure cooker is guaranteed to be free from defects in material and workmanship for a period of TEN YEARS from the date of purchase by the first user, provided that the unit is used in accordance with the use and care instructions supplied, and for household use only.

After inspection to confirm that the claim satisfies the warranty conditions, the defective piece will, at the discretion of the manufacturer, be repaired or replaced free of charge.

Moving and/or perishable parts such as gaskets, internal component parts, etc. which are subject to normal wear and tear are excluded from the warranty.

This warranty is in lieu of all other warranties and representations expressed or implied and all other obligations or liabilities on our part.

Also excluded are all defects resulting from accident, damaged suffered in transit, misuse or negligence (including overheating and boiling dry), normal wear and tear such as scratches, dulling of the polish or staining, etc., and repairs or manipulations carried out by unauthorized or non-qualified personnel.

Incidental or consequential damages are excluded. Some states do not allow exclusions or limitations on incidental or consequential damages or on implied warranties so the above exclusions or limitations may not apply to you.

If repairs become necessary during the warranty period, please return the unit, postage pre-paid to:

This warranty gives you specific legal rights and you may have other rights which vary from state to state.

FAGOR AMERICA, INC.  
SERVICE DEPARTMENT  
745 GOTHAM PARKWAY  
CARLSTADT, NJ 07072

For spare parts or assistance not requiring the return of the product itself, please contact our Customer Service Department at 1-800-207-0806.

**FAGOR AMERICA, INC.**  
**WARRANTY REGISTRATION CARD**

Mr./Mrs./Ms.: \_\_\_\_\_  
 Telephone: \_\_\_\_\_  
 Address: \_\_\_\_\_  
 Email address: \_\_\_\_\_  
 Date of Purchase: \_\_\_\_\_  
 Name of Dealer: \_\_\_\_\_  
 Suggestion: \_\_\_\_\_

Name of Product: \_\_\_\_\_  
 Model No: \_\_\_\_\_  
 Size: \_\_\_\_\_

**Important Notice:** Please complete and mail this warranty registration card immediately to protect your warranty service. You can also register your pressure cooker online at [www.fagoramerica.com](http://www.fagoramerica.com)

## Free Manuals Download Website

<http://myh66.com>

<http://usermanuals.us>

<http://www.somanuals.com>

<http://www.4manuals.cc>

<http://www.manual-lib.com>

<http://www.404manual.com>

<http://www.luxmanual.com>

<http://aubethermostatmanual.com>

Golf course search by state

<http://golfingnear.com>

Email search by domain

<http://emailbydomain.com>

Auto manuals search

<http://auto.somanuals.com>

TV manuals search

<http://tv.somanuals.com>