



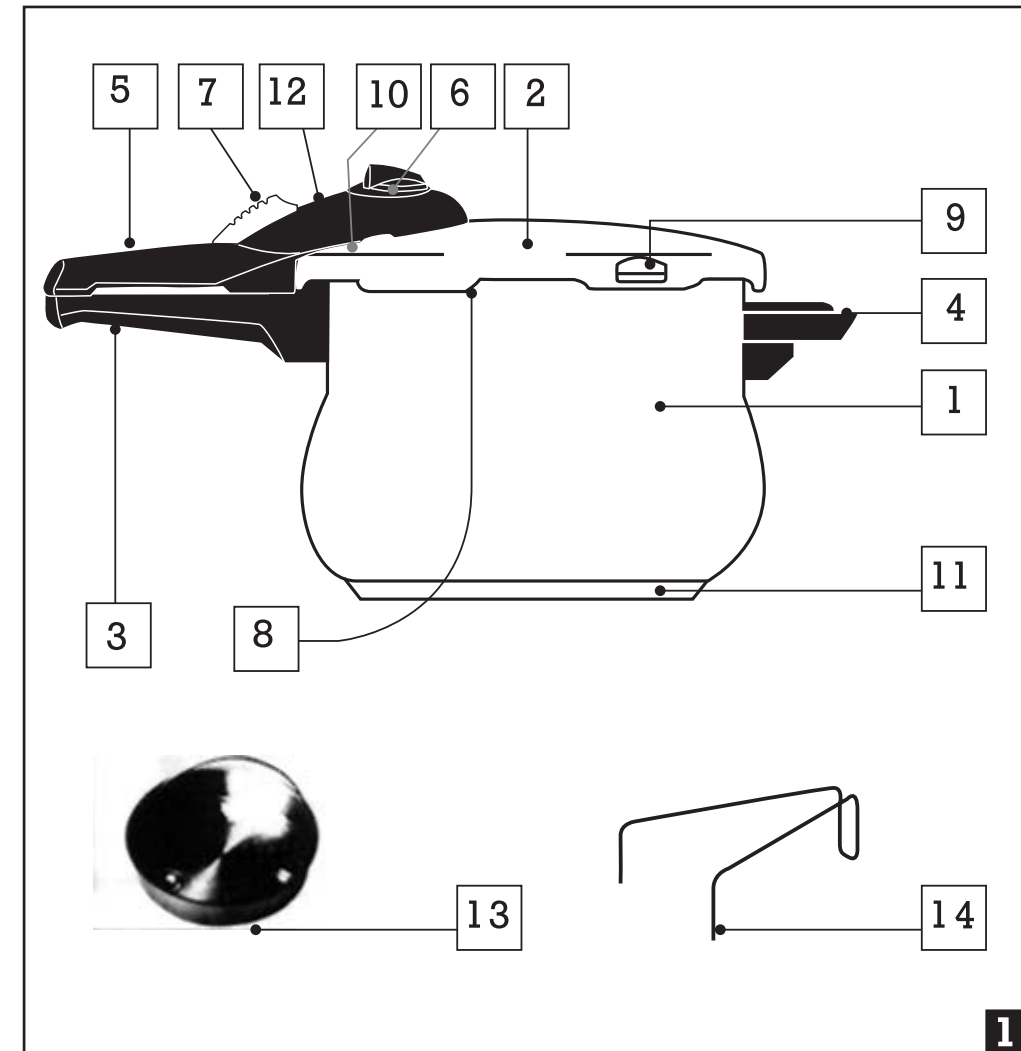
Rapid Express
PRESSURE COOKER
 The Single Most Important Piece of Cookware You'll Ever Own

User's Manual



Shop online for replacement parts and accessories at:

www.fagoramerica.com



- 1. Pressure Cooker Pot
- 2. Lid
- 3. Base Handle
- 4. Support Grip
- 5. Lid Handle
- 6. Operating Valve
- 7. Pressure Safety Lock
- 8. Silicone Gasket

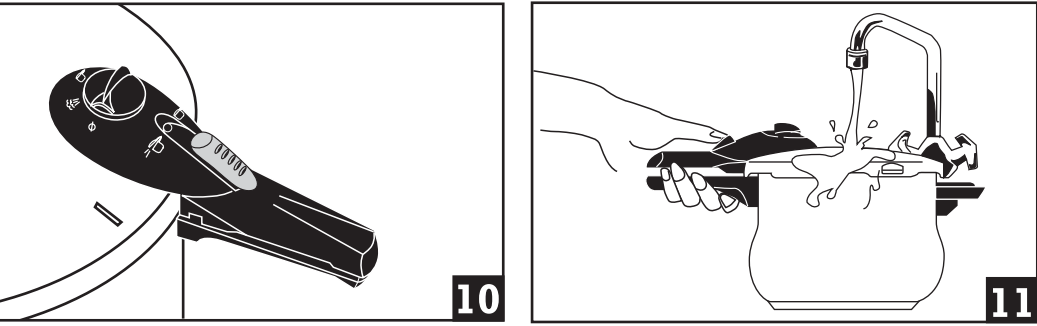
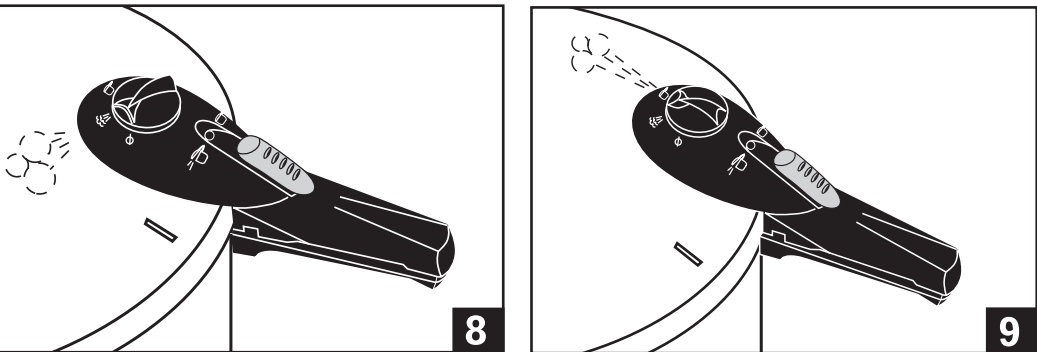
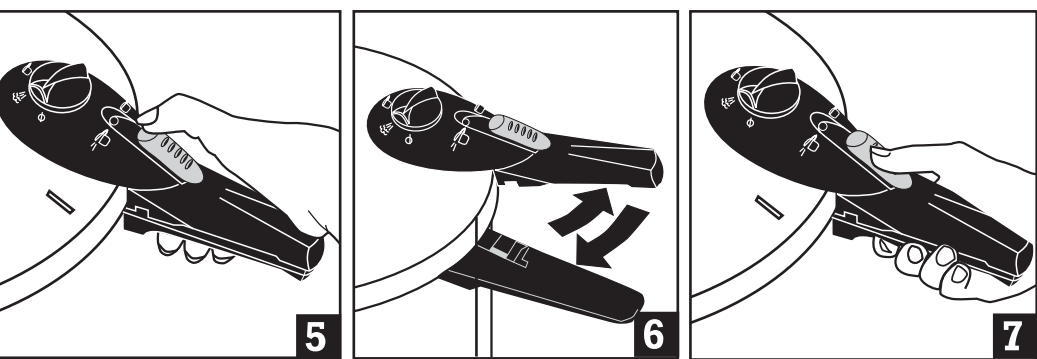
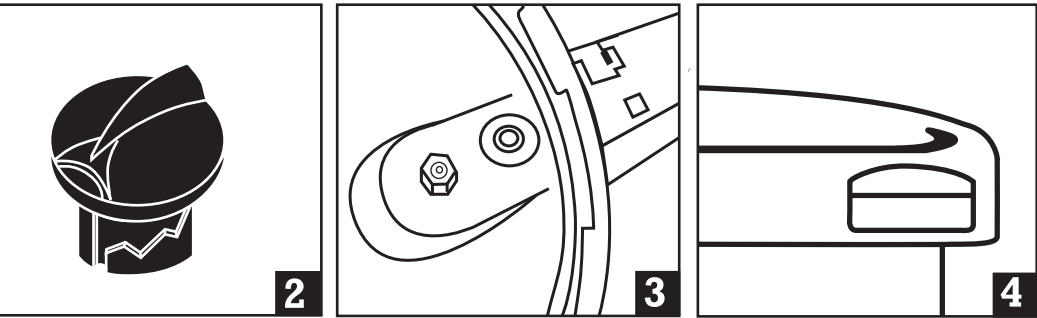
- 9. Safety Vent
- 10. Automatic Safety Valve
- 11. Thermo Heat Conductive Base
- 12. Indicator
- 13. Stainless steel steamer basket
- 14. Support trivet

The manufacturer reserves the right to modify the items described in this brochure.
 El fabricante se reserva el derecho de modificar los modelos descritos en el presente libro de instrucciones.
 Le fabricant se reserve le droit de modifier les modèles décrits dans la brochure.

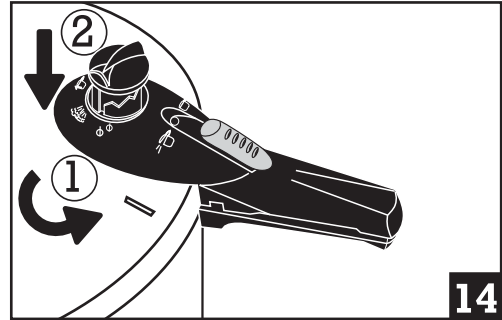
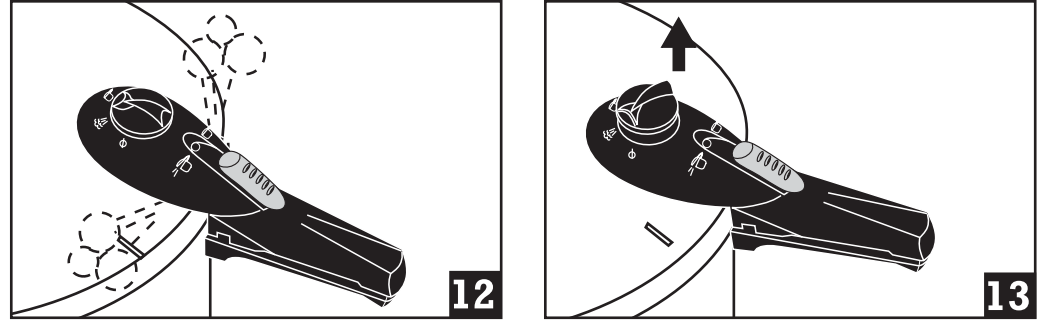
FAGOR AMERICA, INC.
 PO BOX 94,
 Lyndhurst, N.J. 07071
 Web page: www.fagoramerica.com
 email: info@fagoramerica.com

MADE IN CHINA

Figures 2 - 11 (as discussed in User's Manual)



Figures 12 - 14 (as discussed in User's Manual)



LIMITED WARRANTY

This pressure cooker is guaranteed to be free from defects in material and workmanship for a period of TEN YEARS from the date of purchase by the first user, provided that the unit is used in accordance with the use and care instructions supplied, and for household use only.

After inspection to confirm that the claim satisfies the warranty conditions, the defective piece will, at the discretion of the manufacturer, be repaired or replaced free of charge.

Moving and/or perishable parts such as gaskets, internal component parts, etc. which are subject to normal wear and tear are excluded from the warranty.

This warranty is in lieu of all other warranties and representations expressed or implied and all other obligations or liabilities on our part.

Also excluded are all defects resulting from accident, damaged suffered in transit, misuse or negligence (including overheating and boiling dry), normal wear and tear such as scratches, dulling of the polish or staining, etc., and repairs or manipulations carried out by unauthorized or non-qualified personnel.

Incidental or consequential damages are excluded. Some states do not allow exclusions or limitations on incidental or consequential damages or on implied warranties so the above exclusions or limitations may not apply to you.

If repairs become necessary during the warranty period, please return the unit, postage pre-paid to:

This warranty gives you specific legal rights and you may have other rights which vary from state to state.

FAGOR AMERICA, INC.
SERVICE DEPARTMENT
745 GOTHAM PARKWAY
CARLSTADT, NJ 07072

For spare parts or assistance not requiring the return of the product itself, please contact our Customer Service Department at 1-800-207-0806.

FAGOR AMERICA, INC.
WARRANTY REGISTRATION CARD

Mr./Mrs./Ms.: _____
 Telephone: _____
 Address: _____
 Email address: _____
 Date of Purchase: _____
 Name of Dealer: _____
 Suggestion: _____

Name of Product: _____
 Model No: _____
 Size: _____

Important Notice: Please complete and mail this warranty registration card immediately to protect your warranty service. You can also register your pressure cooker online at www.fagoramerica.com

Free Manuals Download Website

<http://myh66.com>

<http://usermanuals.us>

<http://www.somanuals.com>

<http://www.4manuals.cc>

<http://www.manual-lib.com>

<http://www.404manual.com>

<http://www.luxmanual.com>

<http://aubethermostatmanual.com>

Golf course search by state

<http://golfingnear.com>

Email search by domain

<http://emailbydomain.com>

Auto manuals search

<http://auto.somanuals.com>

TV manuals search

<http://tv.somanuals.com>