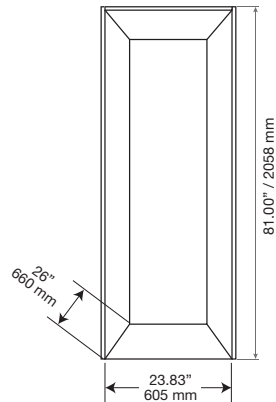


24 inch refrigerators

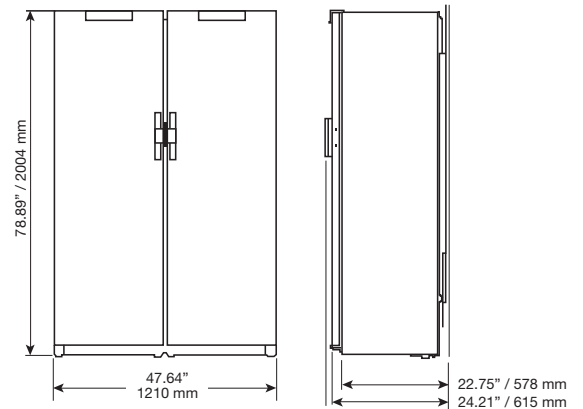
FREE STANDING REFRIGERATORS: FFJA4845X / FFJA4845B

INSTALLATION DIAGRAMS

CABINET RECESS DIMENSIONS



SIDE BY SIDE INSTALLATION



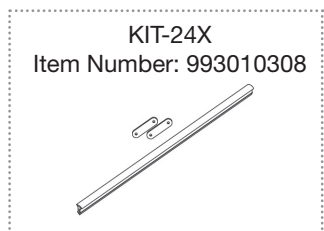
NOTE

MINIMUM INSTALLATION CLEARANCE:

- Top & back: 2 inch / 50.8 mm
- Right & left side: 0.15 inch / 3.81 mm

NOTE

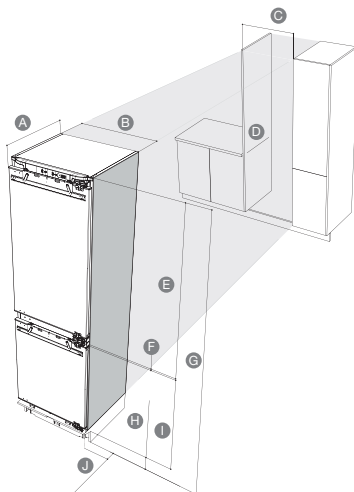
Use joining strip kit 24X for a Side By Side Installation



BUILT IN REFRIGERATOR: FIM4825

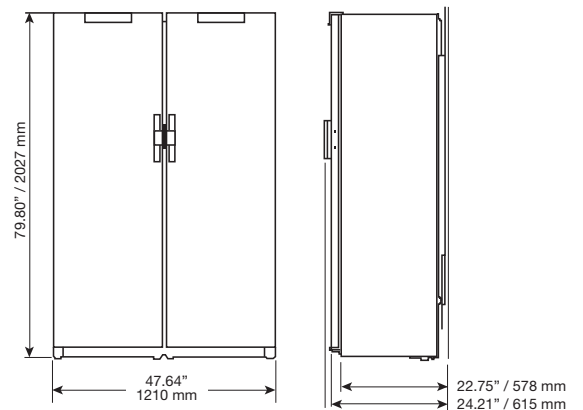
INSTALLATION DIAGRAMS

DIMENSIONS FOR INSTALLATION



- A 22.24" / 565 mm
- B 23.54" / 598 mm
- C 23.62" / 600 mm
- D min. 22.24" / 565 mm
- E 44.25" / 1124 mm
- F 0.24" / 6 mm
- G 79.80-83.74" / 2027-2127 mm
- H 3.94 - 7.87" / 100-200 mm
- I 31.38" / 797 mm
- J 2.8" / 71.5 mm

SIDE BY SIDE INSTALLATION

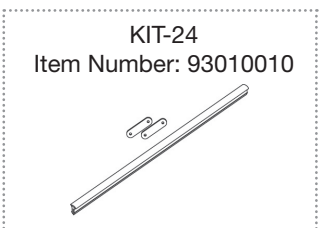


NOTE

Minimum door height 31.5 inch / 800 mm, except for 4.72 inch / 120 mm kickplate that can also be 30.7 inch / 780 mm

NOTE

Use joining strip kit 24X for a Side By Side Installation



NOTE: To change the side of the door opening refer to the manuals.

Free Manuals Download Website

<http://myh66.com>

<http://usermanuals.us>

<http://www.somanuals.com>

<http://www.4manuals.cc>

<http://www.manual-lib.com>

<http://www.404manual.com>

<http://www.luxmanual.com>

<http://aubethermostatmanual.com>

Golf course search by state

<http://golfingnear.com>

Email search by domain

<http://emailbydomain.com>

Auto manuals search

<http://auto.somanuals.com>

TV manuals search

<http://tv.somanuals.com>