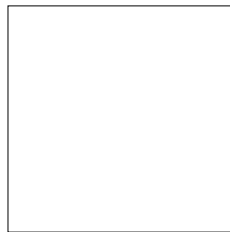


# *Elan*

## **90 Induction**



# **User Guide**

&

Installation & Service Instructions

# **Mode d'emploi**

&

Instructions d'installation et d'entretien



U109988 - 02

## Contents

---

|                         |    |
|-------------------------|----|
| 1. Before You Start...  | 1  |
| 2. Cooker Overview      | 3  |
| 3. Cooking Tips         | 12 |
| 4. Cleaning Your Cooker | 13 |
| 5. Troubleshooting      | 16 |
| 6. Installation         | 18 |
| 7. Servicing            | 22 |
| 8. Circuit Diagrams     | 26 |
| 9. Technical Data       | 28 |

# 1. Before You Start...

Thank you for buying a Falcon cooker. It should give you many years of trouble-free cooking if installed and operated correctly. It is important that you read this section before you start, particularly if you have not used an induction cooker before.

**⚠ This appliance is designed for domestic cooking only. Using it for any other purpose could invalidate any warranty or liability claim. In particular, the oven should NOT be used for heating the kitchen – besides invalidating claims this wastes fuel and may overheat the control knobs.**

## Installation and Maintenance

In the UK the electrical installation should be in accordance with BS 7671. Otherwise, all installations must be in accordance with the relevant instructions in this booklet, with the relevant national and local regulations, and with the local electricity supply companies' requirements.

Make sure that the cooker is wired in and switched on.

**The hob control display will flash for about 2 seconds during first power setting – this is normal.**

**Set the clock to ensure that all the ovens are functional – see the relevant section in this manual.**

The cooker should be serviced only by a qualified service engineer, and only approved spare parts should be used.

Always allow the cooker to cool and then switch it off at the mains before cleaning or carrying out any maintenance work, unless specified otherwise in this guide.

## Peculiar Smells

When you first use your cooker it may give off a slight odour. This should stop after a little use.

Before using for the first time, make sure that all packing materials have been removed and then, to dispel manufacturing odours, turn the ovens to 200°C and run for an hour.

Before using the grill for the first time you should also turn on the grill and run for 30 minutes with the grill pan in position, pushed fully back, and the grill door open.

Make sure the room is well ventilated to the outside air (see 'Ventilation' below). People with respiratory or allergy problems should vacate the area for this brief period.

## Ventilation

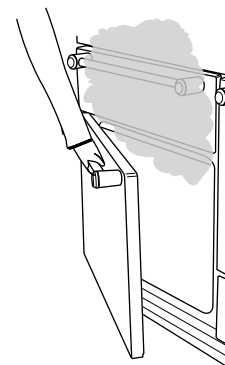
The use of a cooking appliance results in the production of heat and moisture in the room in which it is installed. Therefore, ensure that the kitchen is well ventilated: keep natural ventilation holes open or install a powered cooker hood that vents outside. If you have several hotplates on, or use the cooker for a long time, open a window or turn on an extractor fan.

## Personal Safety

**Important information for pacemaker and implanted insulin pump users:** The functions of this hob comply with the applicable European standards on electromagnetic interference. If you are fitted with a pacemaker or implanted insulin pump and are concerned please consult your doctor for medical advice.

- ⚠ When the hob is in use keep magnetic items, such as credit and debit cards, floppy disk, calculators, etc. away.**
- ⚠ Accessible parts will become hot during use and will retain heat even after you have stopped cooking. Keep babies and children away from the cooker and never wear loose-fitting or hanging clothes while the appliance is in use.**
- ⚠ Always be certain that the controls are in the OFF position when the oven is not in use, and before attempting to clean the cooker.**
- ⚠ Take care when touching the marked cooking areas of the hob.**
- ⚠ When the oven is on, DO NOT leave the oven door open for longer than necessary, otherwise the control knobs may become very hot.**

Cooking high moisture content foods can create a 'steam burst' when the oven door is opened. When opening the oven stand well back and allow any steam to disperse.



Always keep combustible materials, e.g. curtains, and flammable liquids a safe distance away from your cooker.

- ⚠ DO NOT spray aerosols in the vicinity of the cooker while it is on.**
- ⚠ Use dry oven gloves when applicable – using damp gloves might result in steam burns when you touch a hot surface. Do not use a towel or other bulky cloth in place of a glove – it might catch fire if brought into contact with a hot surface.**
- ⚠ NEVER operate the cooker with wet hands.**
- ⚠ DO NOT use aluminium foil to cover shelves, linings or the oven roof.**
- ⚠ NEVER heat unopened food containers. Pressure build up may make the containers burst and cause injury.**

## English

**⚠ DO NOT use unstable saucepans. Always ensure that you position the handles away from the edge of the hotplate.**

**⚠ Make sure to use adequately sized pans with flat bottoms that are large enough to cover the surface of the hotplate heating area.**

Never leave the hotplate unattended at high heat settings. Pans boiling over can cause smoking, and greasy spills may catch on fire. Use a deep fat thermometer whenever possible to prevent fat overheating beyond the smoking point.

**⚠ NEVER leave a chip pan unattended. Always heat fat slowly, and watch as it heats. Deep fry pans should be only one third full of fat. Filling the pan too full of fat can cause spill over when food is added. If you use a combination of oils or fats in frying, stir them together before heating, or as the fats melt.**

Foods for frying should be as dry as possible. Frost on frozen foods or moisture on fresh foods can cause hot fat to bubble up and over the sides of the pan. Carefully watch for spills or overheating of foods when frying at high or medium high temperatures. Never try to move a pan of hot fat, especially a deep fat fryer. Wait until the fat is cool.

Do not use the top of the flue (the slot along the back of the cooker) for warming plates, dishes, drying tea towels or softening butter.

**⚠ DO NOT use water on grease fires and never pick up a flaming pan. Turn off the controls and then smother a flaming pan on a surface unit by covering the pan completely with a well-fitting lid or baking tray. If available, use a multipurpose dry chemical or foam-type fire extinguisher.**

**⚠ This appliance is heavy so take care when moving it.**

### Hob Care

**⚠ DO NOT use the hob surface as a cutting board.**

Do not leave utensils, foodstuffs or combustible items on the hob when it is not in use (e.g. tea towels, frying pans containing oil).

**⚠ DO NOT place plastic or aluminium foil, or plastic containers, on the hob.**

**⚠ DO NOT leave the hob zones switched on unless being used for cooking.**

**⚠ NEVER allow anyone to climb or stand on the hob.**

Do not stand or rest heavy objects on the hob. Although the ceramic surface is very strong, a sharp blow or sharp falling object (e.g. a salt cellar) might cause the surface to crack or break.

**⚠ Should a crack appear in the surface, disconnect the appliance immediately from the supply and arrange for its repair.**

Always LIFT pans off the hob. Sliding pans may cause marks and scratches. Always turn the control to the OFF position before removing a pan.

**DO NOT** place anything between the base of the pan and the hob surface (e.g. asbestos mats, aluminium foil, Wok stand).

Care should be taken that no water seeps into the appliance.

Only certain types stainless steel, enamelled steel pans or cast iron pans with enamelled bases are suitable for induction hob cooking.

The ceramic surface should be washed after use to prevent it from becoming scratched or dirty. *However, you should clean the hob with caution as some cleaners can produce noxious fumes if applied to a hot surface.*

**DO NOT use abrasive cleaners/pads, oven aerosols/pads or stain removers on the surface.**

We recommend that you avoid wiping any surface unit areas until they have cooled and the indicator light has gone off. Sugar spills are the exception to this (see 'Cleaning your Cooker'). After cleaning, use a dry cloth or paper towel to remove any cleaning cream residue.

### Cooker Care

As steam can condense to water droplets on the cool outer trim of the oven, it may be necessary during cooking to wipe away any moisture with a soft cloth. This will also help to prevent soiling and discolouration of the oven exterior by cooking vapours.

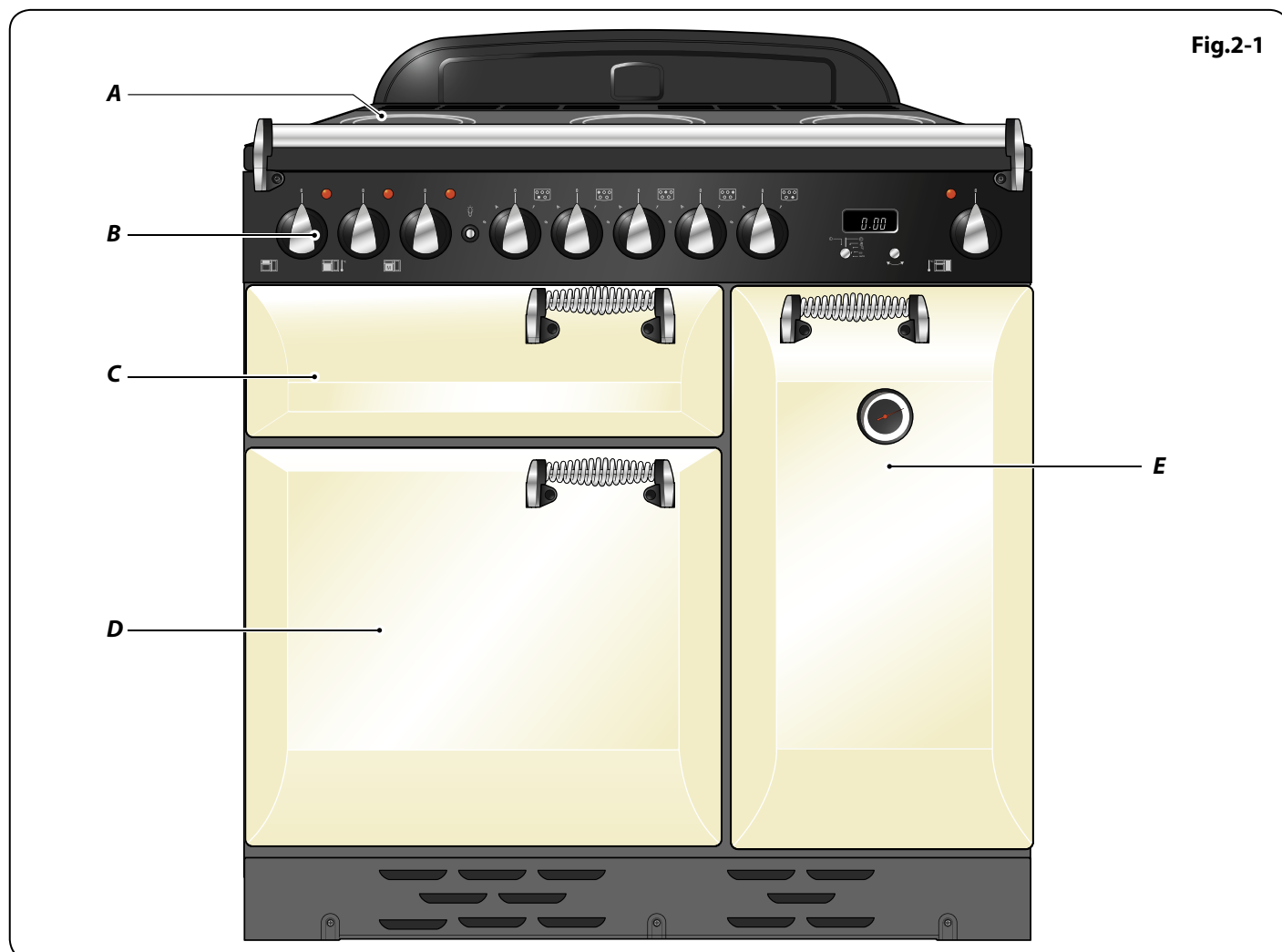
### Cleaning

In the interests of hygiene and safety, the cooker should be kept clean at all times as a build up in fats and other food stuff could result in a fire.

Clean only the parts listed in this guide.

Clean with caution. If a wet sponge or cloth is used to wipe spills on a hot surface, be careful to avoid steam burns. Some cleansers can produce noxious fumes if applied to a hot surface.

## 2. Cooker Overview



The 90 induction cooker (**Fig.2-1**) has the following features:

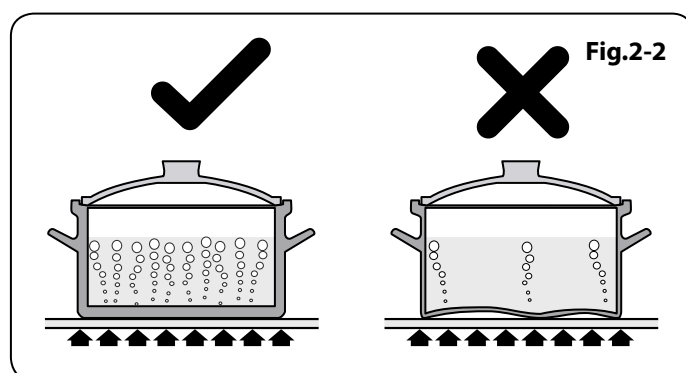
- A.** 5 induction cooking zones
- B.** A control panel
- C.** A glide-out grill
- D.** Main programmable fan oven
- E.** Tall fan oven

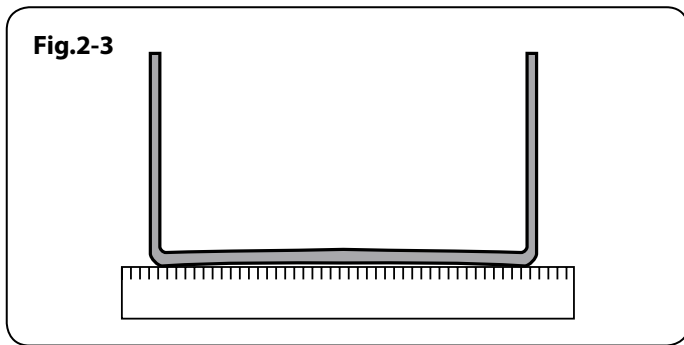
### The Hob

Use only pans that are suitable for induction hobs. We recommend stainless steel, enamelled steel pans or cast iron pans with enamelled bases. Note that some stainless steel pans are not suitable for use with an induction hob so please check carefully before purchasing any cookware.

Pans made of copper, aluminium or ceramic are not suitable for use on an induction hob. *The kind of pan you use and the quantity of food affects the setting required. Higher settings are required for larger quantities of food.*

Pots and pans should have thick, smooth, flat bottoms (**Fig.2-2**). This ensures the maximum heat transfer from the hob to the pan, making cooking quick and energy efficient. Never use a round-bottomed wok, even with a stand.





The very best pans have bases that are very slightly curved up when cold (**Fig.2-3**). If you hold a ruler across the bottom you will see a small gap in the middle. When they heat up the metal expands and lies flat on the cooking surface.

Make sure that the base of the pan is clean and dry to prevent any residue burning onto the hob panel. This also helps prevent scratches and deposits.

Always use pans that are the same size as (or slightly larger than) the areas marked on the hob. Using a lid will help the contents boil more quickly.

**⚠ Always take care before touching the surface, even when the hob is turned off. It may be hotter than you think!**

The induction hob comprises of five cooking zones containing induction elements with different ratings and diameters (**Fig.2-4**) each with a pan detector and residual heat indicator, and a hob control display.

The hob control display (**Fig.2-5**) informs you of the following induction hob functions:

- ☐ Pan detector
- H Residual heat indicator
- R Automatic heat-up
- L Child lock

**Pan Detector, ☐**

**IMPORTANT:** After use, switch off the hob element by its control and **DO NOT RELY** on the pan detector.

If a cooking area is switched on and there is no pan in place or if the pan is too small for the cooking area, then no heat will be generated. The symbol [☐] will appear on the hob control display; this is the "pan-missing symbol". Place a pan of the correct size on the cooking area and the [☐] symbol will disappear and cooking can begin. After 10 minutes without detecting a pan the cooking zone will switch off automatically.

**Table 2-1** shows the minimum pan sizes recommended for each cooking zone.

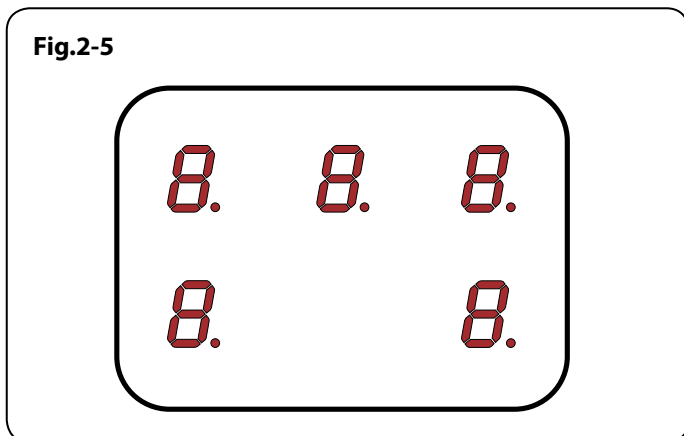
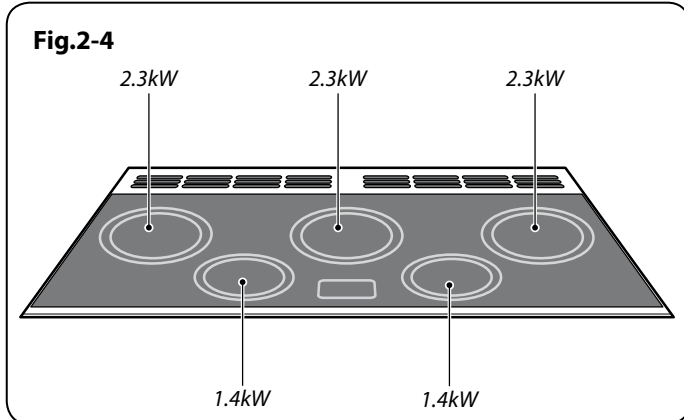
**Note:** Using pans with a base diameter smaller than those recommended will result in a power reduction.

**Residual Heat Indicator, H**

After use, a cooking zone will remain hot for a while as heat dissipates. When a cooking zone is switched off the residual heat indicator symbol [H], will appear in the display. This shows that the cooking zone temperature is above 60°C and may still cause burns. Once the temperature has dropped to below 60°C the [H] will go out.

**Automatic Heat-up, R**

This function is available on all of the cooking areas. It allows rapid heating up of the element to bring the selected cooking zone up to temperature. Once the zone is at the required cooking temperature the power level will reduce automatically to the preset level.



| Cooking Zone | Minimum Pan Diameter (Pan base) mm |
|--------------|------------------------------------|
| Front left   | 140                                |
| Rear left    | 180                                |
| Centre       | 180                                |
| Rear right   | 180                                |
| Front right  | 140                                |

**Table 2-1**

The function is selected by turning the control knob to the 'A' position. This can be selected by either turning the control knob momentarily anti-clockwise from the zero position or clockwise past the '9' until the symbol [A] is shown on the hob control display. Once the [A] is displayed, turn the control knob to the level of your choice (1 to 9). The pan will heat up at 100% power for a specified time before the power is reduced to the level selected.

When the Automatic Heat-up function is activated, the hob control display will flash alternately between the [A] setting and the chosen power level.

Once the automatic heat-up time has ended the hob control display will stop flashing and will display the chosen power level.

The Automatic Heat-up function can be stopped by either turning the control knob back to the "0" power setting or turning the control knob to the "9" power setting.

For your guidance **Table 2-2** shows the time available at 100% power depending on the power level selected in the Automatic Heat-up mode.

### Child Lock, L

To prevent the unwanted use by children, the hob can be locked.

**IMPORTANT: This can only be activated when all the cooking zones are switched off.**

To lock the hob, first turn on any of the hob controls on then off – this will activate the hob display – then simultaneously turn both rear outer induction controls anti-clockwise (**Fig.2-6**) until [L] appears in the hob control display for all cooking areas.

This will NOT affect the ovens or grill; they can still be used.

To unlock the hob, simultaneously turn both rear outer induction controls anti-clockwise until the [L] symbol disappears.

### Pan Protection Function

This function identifies when the temperature of the pan rises rapidly and works to maintain a safe level of pan temperature. It should not interfere with normal cooking.

**⚠ Please remember not to leave the hob unattended. Care should be taken to not allow your cookware to boil dry.**

### The Glide-out Grill

Open the door and pull the grill pan carriage forward using the handle (**Fig.2-7**).

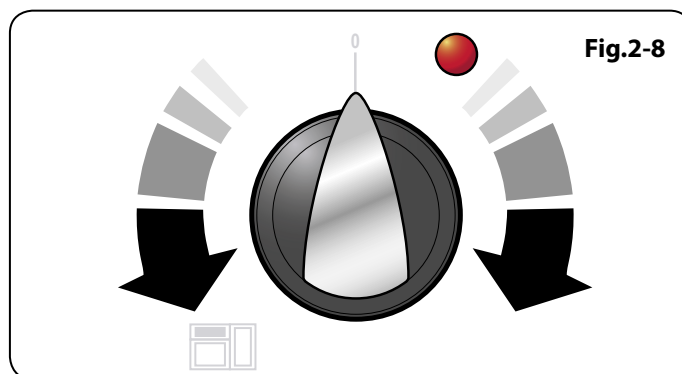
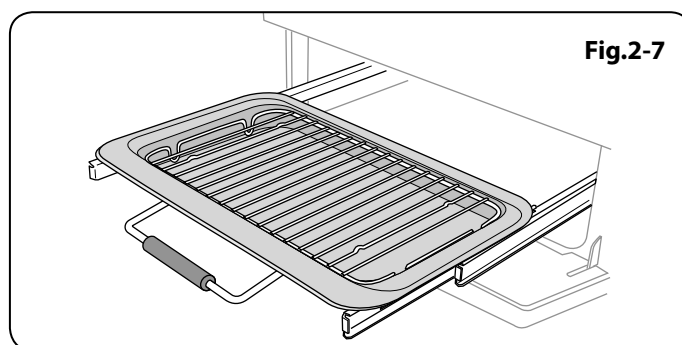
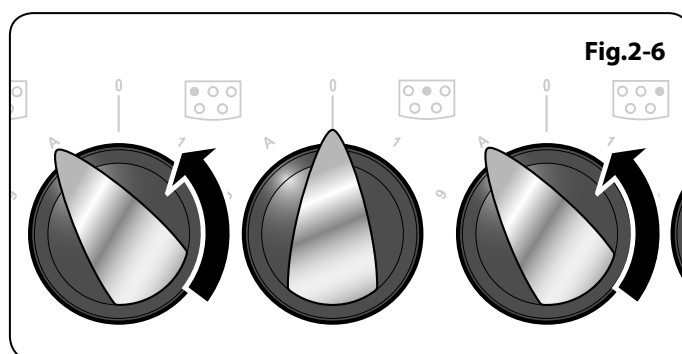
The grill has two elements that allow either the whole area of the pan to be heated or just the right-hand half.

Adjust the heat to suit by turning the knob. To heat the whole grill, turn the knob clockwise (**Fig.2-8**).

To heat the right-hand half, turn the knob anti-clockwise. The neon indicator light by the grill control will come on.

| Power Level | Automatic heat-up time at 100% (min:sec) |
|-------------|--|
| 1           | 0:48                                     |
| 2           | 2:24                                     |
| 3           | 3:48                                     |
| 4           | 5:12                                     |
| 5           | 6:48                                     |
| 6           | 2:00                                     |
| 7           | 2:48                                     |
| 8           | 3:36                                     |
| 9           | 0:10                                     |

Table 2-2



## English

Fig.2-9

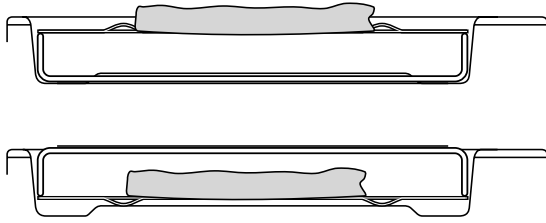
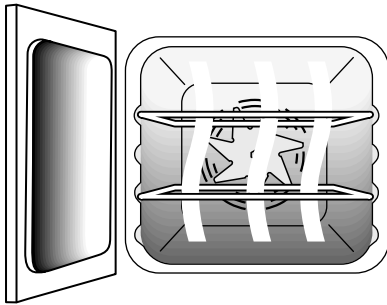


Fig.2-10



For best results, slide the carriage back into the grill chamber and preheat the appropriate part(s) of the grill for two minutes. The grill trivet can be removed and the food placed on it while you are waiting for the grill to preheat.

Once the grill has preheated, slide the carriage out again. With the trivet back in place with the food on it, slide the carriage back into the grill chamber. Ensure that it is pushed right in.

**⚠ Accessible parts may be hot when the grill is in use. Young children should be kept away.**

The grill pan grid can be turned over to give two grilling positions (**Fig.2-9**).

Do not leave the grill on for more than a few moments, without the grill pan underneath it.

**⚠ Never close the grill door when the grill is on.**

## The Ovens

**The clock must be set to the time of day before the right-hand oven will work. See the following section on 'The Clock' for instructions on setting the time of day.**

*References to 'left-hand' and 'right-hand' ovens apply as viewed from the front of the appliance.*

The left-hand oven is a programmable multi-function oven, while the right-hand tall oven is a fanned oven.

### The Left-Hand Multi-function Oven

The left-hand (**Fig.2-10**) oven is a multi-function oven. As well as the oven fan and fan element, it is fitted with two extra heating elements, one visible in the top of the oven and the second under the oven base. Take care to avoid touching the top element and element deflector when placing or removing items from the oven.

The multi-function oven has many varied uses. We suggest you keep a careful eye on your cooking until you are familiar with each function (**Fig.2-11**). Remember – not all functions will be suitable for all food types.

### Multi-function oven functions

#### Defrost



This function operates the fan to circulate cold air only. No heat is applied. This enables small items such as desserts, cream cakes and pieces of meat, fish and poultry to be defrosted.

Defrosting in this way speeds up the process and protects the food from flies. Pieces of meat, fish and poultry should be placed on a rack, over a tray to catch any drips. Be sure to wash the rack and tray after defrosting.

Defrost with the oven door closed.

Large items, such as whole chickens and joints should not be defrosted in this way. We recommend this be carried out in a refrigerator.

Defrosting should not be carried out in a warm oven or when an adjoining oven is in use or still warm.



Ensure that dairy foods, meat and poultry are completely defrosted before cooking.

### Fan oven



This function operates the fan and the heating element around it. An even heat is produced throughout the oven, allowing you to cook large amounts quickly.

Fan oven cooking is particularly suitable for baking on several shelves at one time and is a good 'all-round' function. It may be necessary to reduce the temperature by approximately 10°C for recipes previously cooked in a conventional oven.

If you wish to preheat the oven, wait until the indicator light has gone out before inserting the food.

### Fanned grilling



This function operates the fan whilst the top element is on. It produces a more even, less fierce heat than a conventional grill. For best results, place the food to be grilled, on a grid over a roasting tin, which should be smaller than a conventional grill pan. This allows greater air circulation. Thick pieces of meat or fish are ideal for grilling in this way, as the circulated air reduces the fierceness of the heat from the grill.

The oven door should be kept closed while grilling is in progress, so saving energy.

You will also find that the food needs to be watched and turned less than for normal grilling. Preheat this function before cooking.

### Fan assisted oven



This function operates the fan, circulating air heated by the elements at the top and the base of the oven. The combination of fan and conventional cooking (top and base heat) makes this function ideal for cooking large items that need thorough cooking, such as a large meat roast.

It is also possible to bake on two shelves at one time, although they will need to be swapped over during the cooking time, as the heat at the top of the oven is greater than at the base, when using this function.

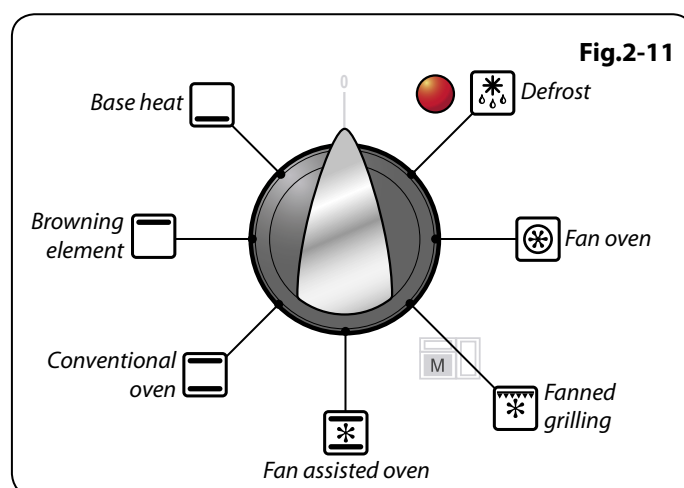
This is a fast intensive form of cooking; keep an eye on the food cooking until you have become accustomed to this function.

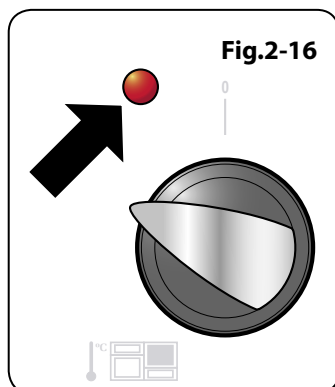
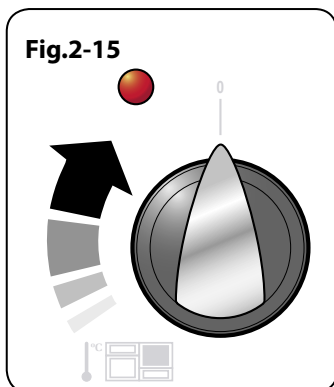
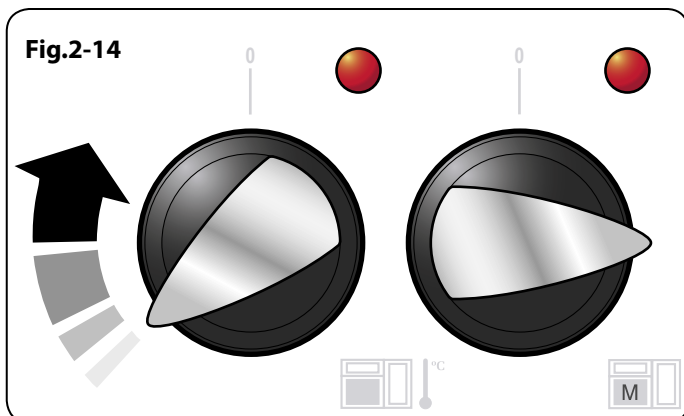
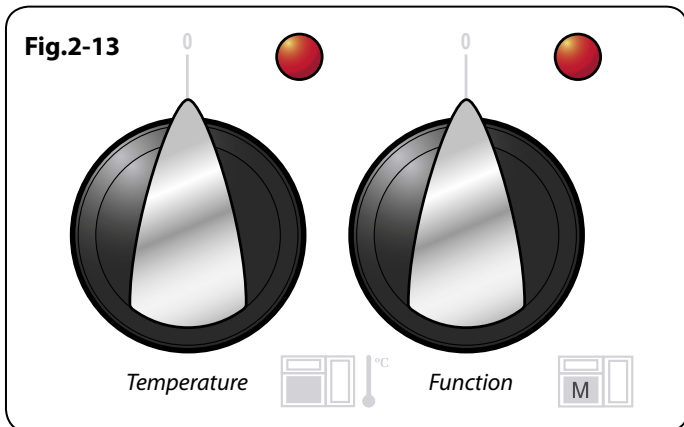
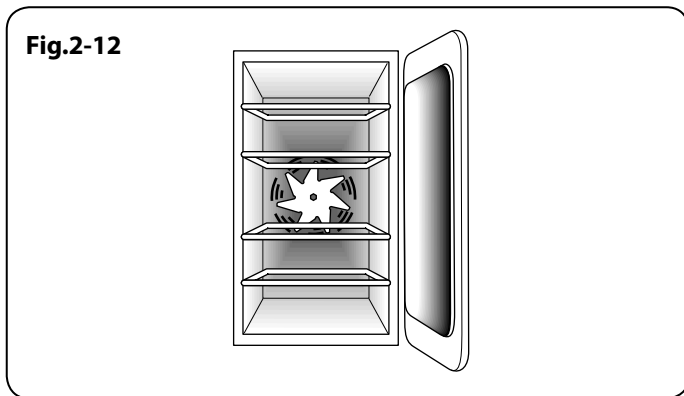
### Conventional oven (top and base heat)



This function combines the heat from the top and base elements. It is particularly suitable for roasting and baking pastry, cakes and biscuits.

Food cooked on the top shelf will brown and crisp faster than on the lower shelf, because the heat is greater at the top of the oven than at the base, as in 'Fan assisted oven' function. Similar items being cooked will need to be swapped around for even cooking. This means that foods requiring different temperatures can be cooked together, using the cooler zone in the lower half of the oven and hotter area to the top.





## Browning element



This function uses the element in the top of the oven only. It is a useful function for the browning or finishing of pasta dishes, vegetables in sauce, shepherds pie and lasagne, the item to be browned being already hot before switching to the top element.

## Base heat



This function uses the base element only. It will crisp up your pizza or quiche base or finish off cooking the base of a pastry case on a lower shelf. It is also a gentle heat, good for slow cooking of casseroles in the middle of the oven or for plate warming.

The Browning and Base heat functions are useful additions to your oven, giving you flexibility to finish off items to perfection.

## Right-hand tall oven

The right-hand tall oven is a fanned oven (**Fig.2-12**) that circulates hot air continuously, which means faster, more even cooking.

**Note:** Please remember that all cookers vary so temperatures in your new ovens may differ to those in your previous cooker.

## Operating the Ovens

### Operating the left-hand multi-function oven

The multi-function oven has two controls: a function selector and a temperature setting knob (**Fig.2-13**).

Turn the function selector control to a cooking function. Turn the oven temperature knob to the temperature required (**Fig.2-14**).

The oven heating light will glow until the oven has reached the temperature you selected. It will then cycle on and off during cooking.

### Operating the right-hand fan oven

Turn the oven knob to the desired temperature (**Fig.2-15**).

The oven indicator light will glow until the oven has reached the temperature selected. It will then cycle on and off during cooking (**Fig.2-16**).

When cooking foods with high water content, there may be some steam visible at the grille at the rear of the hotplate. This is perfectly normal.

## The Clock

### Setting the time of day

The LCD clock is shown in (Fig.2-17). When the clock is first connected, the display flashes (0:00) and ( ) alternately.

To set the time, turn and hold the Timer knob to the clock symbol (⌚) and at the same time turn the Adjusting knob left or right until the clock shows the time of day. Remember this is a 24-hour clock. Let go of the Timer knob and it will spring back to the vertical, oven manual setting.

### Minute Minder

Turn the Timer knob to the right to the (⌚) minute minder setting – it should click into position (Fig.2-18).

Use the Adjusting knob to set the time you need (Fig.2-19).

You can either turn the knob back to the vertical manual setting (⌚) to keep an eye on the time of day, or leave it in the (⌚) minute minder position as the time ticks down.

To stop the beeper when it sounds, turn the Adjusting knob anti-clockwise.

### To stop the left-hand oven at a specific time of day

Turn the Timer knob to the (⌚) position (Fig.2-20).

Use the Adjusting knob to set the time at which the oven is to stop. You can set the oven to turn on at any time over the following 24-hour period. AUTO shows in the display (Fig.2-21).

Turn the Timer knob to the bottom 'AUTO' setting. Once the set time is reached, the beeper sounds. Turn the Timer knob to the vertical (⌚) to return to manual cooking.

### To start and then stop the left-hand oven using the Timer

Before you set the clock, decide on both the 'cook time', which is the period of time you want the oven to cook, and the 'stop time', which is the time of day at which you want the oven to stop cooking.

**You cannot set a start time directly – this is set automatically by a combination of the 'cook time' and 'stop time'.**

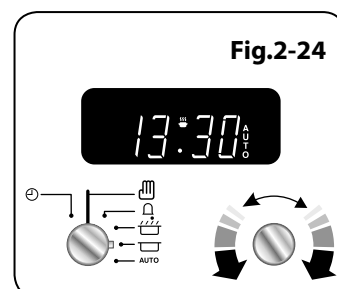
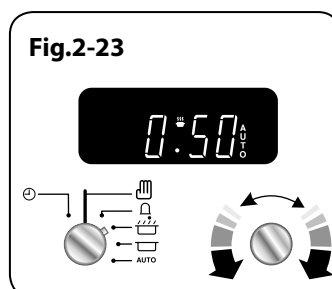
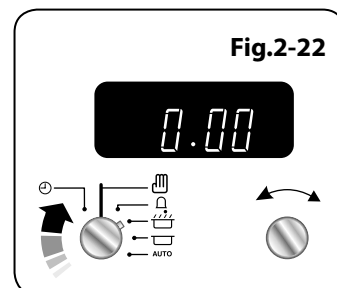
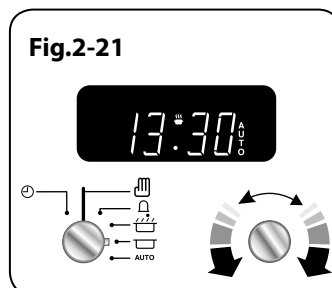
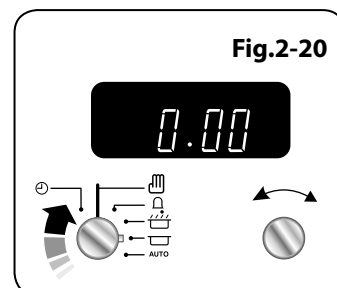
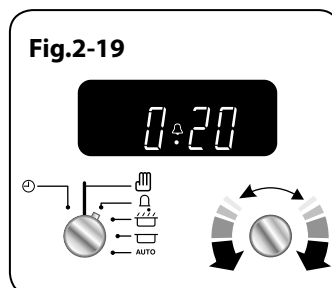
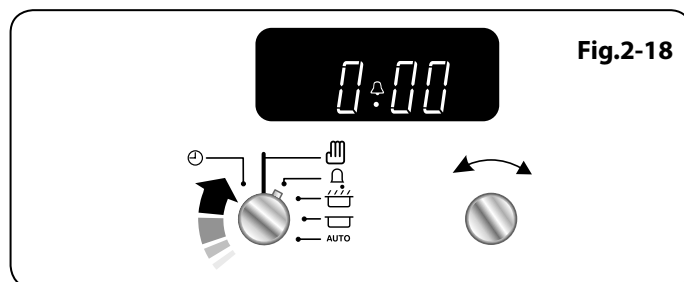
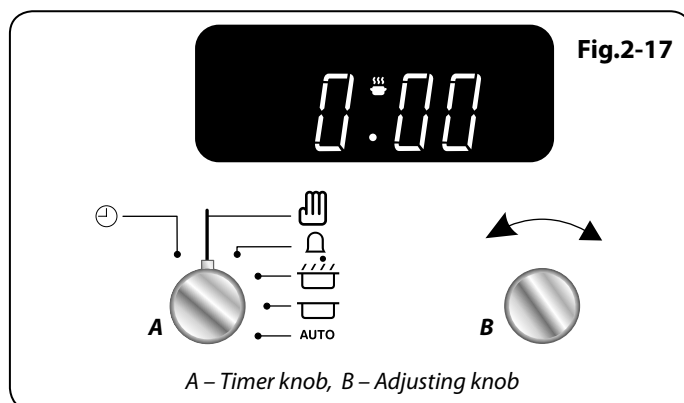
Turn the Timer knob to the (⌚) position (Fig.2-22).

Use the Adjusting knob to set the 'cooking time' you need (Fig.2-23).

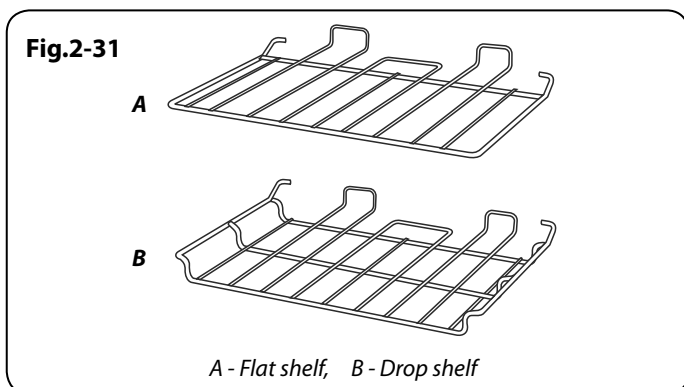
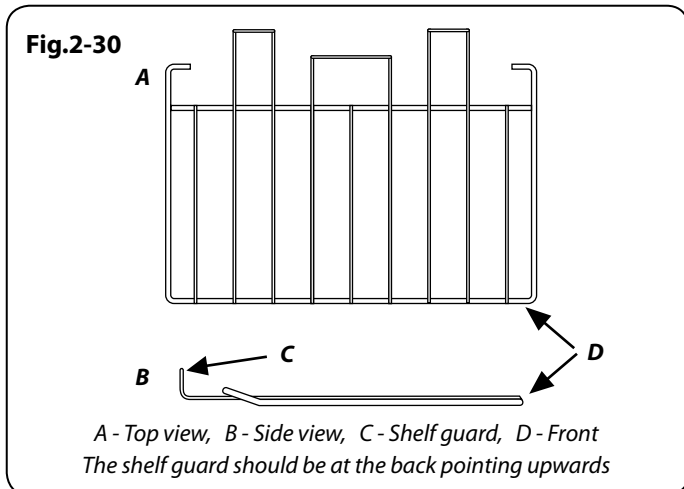
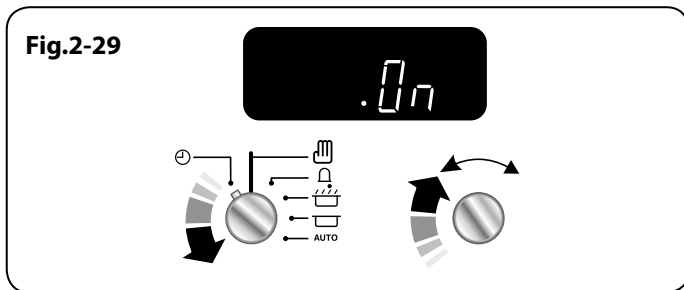
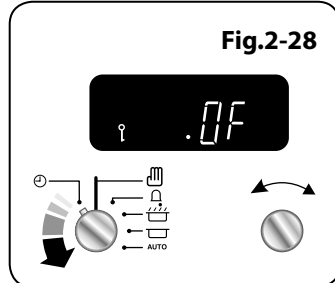
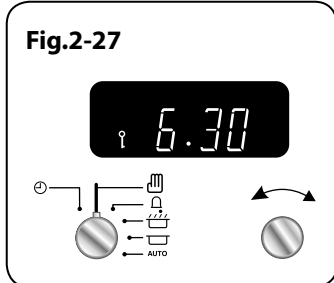
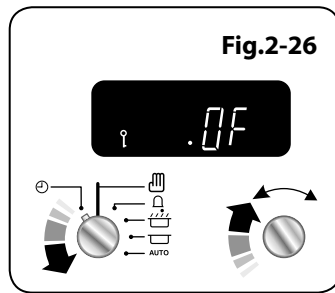
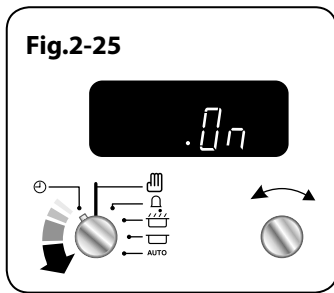
Turn the Timer knob to the (⌚) position. The display will show the current time of day plus the 'cook time' you just set. Use the Adjusting knob to set the 'stop time' required (Fig.2-24).

The 'stop time' is displayed, followed by 'AUTO'. Set the oven(s) to the cooking temperature you need. Turn the Timer knob to the 'AUTO' setting.

When your cooking is finished, the beeper sounds. Turn the Timer knob to the vertical (⌚) to return to manual cooking.



## English



If you are out, do not worry about the beeper going off – it will stop on its own after a while. When you return, turn the Timer knob to the vertical (⌚) to return to manual cooking.

### AUTO is showing, but you want to revert to manual cooking

You can cancel any automatic settings by briefly turning the Timer knob to the clock symbol (⌚) and then releasing it.

### Key Lock

When the key lock is activated, the left-hand oven is locked and will not come on.

#### To activate the key lock

Make sure that the clock is in manual mode and cancel any active programs.

Turn and hold the Timer knob to the clock symbol (⌚) for about 8 seconds. 'On' appears on the display (**Fig.2-25**).

Keep holding the Timer knob turned to the clock symbol (⌚) and turn the Adjusting knob clockwise until the key symbol (🔑) and 'OF' shows on the display (**Fig.2-26**). Let go of the knobs.

The left-hand oven is now locked. After a few seconds the display will revert to show the time of day and the key symbol (**Fig.2-27**).

#### To turn off the key lock

Turn and hold the Timer knob to the clock symbol (⌚) for about 8 seconds. 'OF' will appear on the display (**Fig.2-28**).

Keep holding the Timer knob turned to the clock symbol (⌚) and turn the Adjusting knob clockwise until the key symbol (🔑) goes out on the display and 'On' shows (**Fig.2-29**). Let go of the knobs.

After a few seconds, the display reverts to showing the time of day.

The left-hand oven can now be used normally.

## Accessories

### Oven Shelves – Left-hand (Main) Oven

In addition to the flat shelves (**Fig.2-30**), some models are supplied with a drop shelf (**Fig.2-31**). The drop shelf increases the possibilities for oven shelf spacing.

The oven shelves can be easily removed and refitted.

Pull the shelf forward until the back of the shelf is stopped by the shelf stop bumps in the oven sides (**Fig.2-32**).

Lift up the front of the shelf so the back of the shelf will pass under the shelf stop and then pull the shelf forward (**Fig.2-33**).

To refit the shelf, line up the shelf with a groove in the oven side and push the shelf back until the ends hit the shelf stop. Lift up the front so the shelf ends clear the shelf stops, and then lower the front so that the shelf is level and push it fully back (**Fig.2-34**).

## Oven shelves – Right-hand (Tall) Oven

The tall oven is supplied with four flat cooking shelves (**Fig.2-35**), and a plate warming shelf (**Fig.2-36**).

When using the tall oven, you can cook on all four shelves at the same time, but make sure that they are well spaced out allow the hot air to circulate.

## The Handyrack (Main Oven)

The Handyrack (**Fig.2-37**) fits to the left-hand oven door only. Food cooking on it is easy to attend to, because it is accessible when the door is open.

The maximum weight that can be held by the Handyrack is 5.5kg (12lb). It should only be used with the supplied roasting tin, which is designed to fit the Handyrack. Any other vessel could be unstable.

Additional roasting tins are available from our cookware collection – Part Code RM027.

It can be fitted at two different heights. One of the oven shelves must be removed and the other positioned to suit.

When the Handyrack is used in its highest position, other dishes can be cooked on the bottom shelf position or base of the oven.

When the Handyrack is used in its lowest position, other dishes can be cooked on the second shelf position or base of the oven.

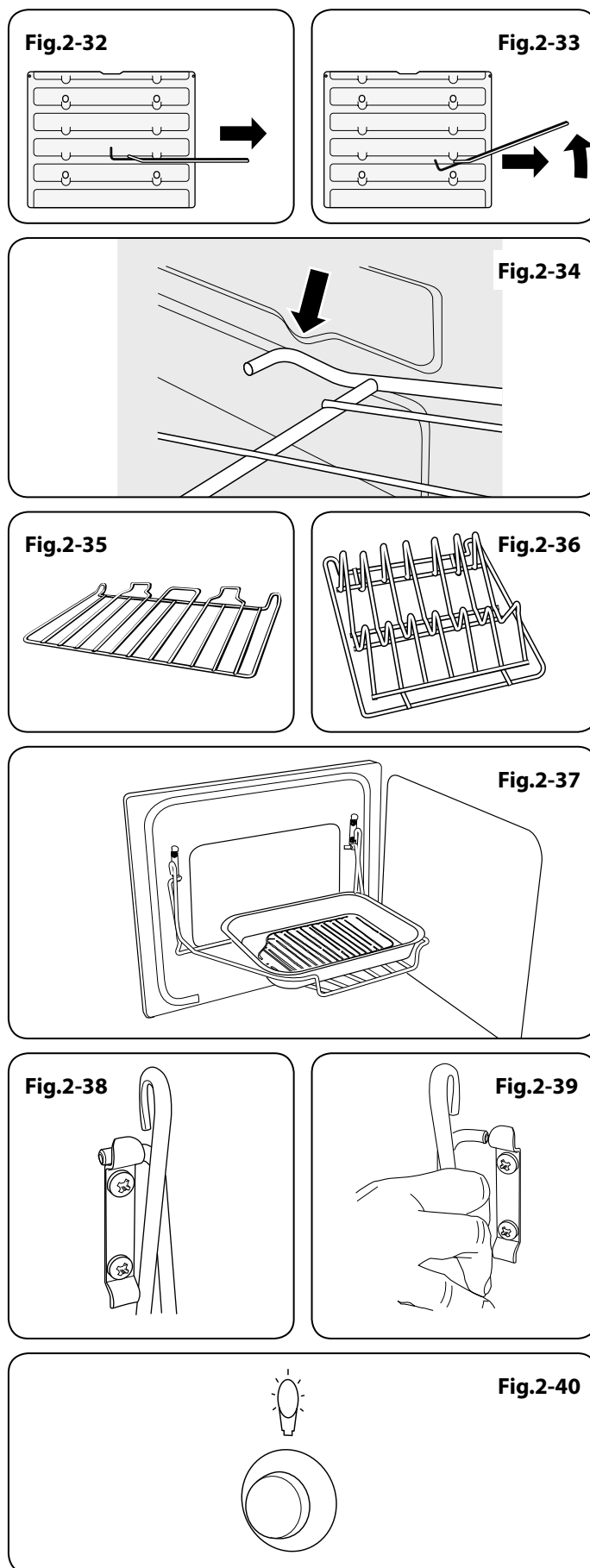
To fit the Handyrack, locate one side of it on the door bracket (**Fig.2-38**).

Then spring the other side out to clip it onto the other bracket (**Fig.2-39**).

## Main Oven Light

Press the button to turn the light on (**Fig.2-40**).

If the oven light fails, turn off the power supply before changing the bulb. See the 'Troubleshooting' section for details on how to change the bulb.



## 3. Cooking Tips

---

### Tips on Cooking with the Timer

If you want to cook more than one dish, choose dishes that require approximately the same cooking time. However, dishes can be 'slowed down' slightly by using small containers and covering them with aluminium foil, or 'speeded up' slightly by cooking smaller quantities or placing them in larger containers.

Very perishable foods such as pork or fish should be avoided if a long delay period is planned, especially in hot weather.

- ⚠ DO NOT place warm food in the oven to be timed.**
- ⚠ DO NOT use a timed oven that is already warm.**
- ⚠ DO NOT use the timed oven if the adjoining oven is already warm.**

Whole poultry must be thoroughly defrosted before being placed in the oven. Check that meat and poultry are fully cooked before serving.

### General Oven Tips

The wire shelves should always be pushed firmly to the back of the oven.

*Baking trays with food cooking on them should be placed level with the front edge of the oven's wire shelves. Other containers should be placed centrally. Keep all trays and containers away from the back of the oven, as overbrowning of the food may occur.*

For even browning, the maximum recommended size of a baking tray is 340mm (13½") by 340mm (13½") in the main oven and 232mm (9¼") and 321mm (12⅝") in the tall oven.

**When the oven is on, do not leave the door open for longer than necessary, otherwise the knobs may get very hot.**

- Always leave a 'fingers width' between dishes on the same shelf. This allows the heat to circulate freely around them.
- To reduce fat splashing when you add vegetables to hot fat around a roast, dry them thoroughly or brush lightly with cooking oil.
- Where dishes may boil and spill over during cooking, place them on a baking tray.
- The Cook & Clean oven liners (see 'Cleaning Your Cooker') work better when fat splashes are avoided. Cover meat when cooking.
- Sufficient heat rises out of the oven while cooking to warm plates in the grill compartment.
- If you want to brown the base of a pastry dish, preheat the baking tray for 15 minutes before placing the dish in the centre of the tray.

## 4. Cleaning Your Cooker

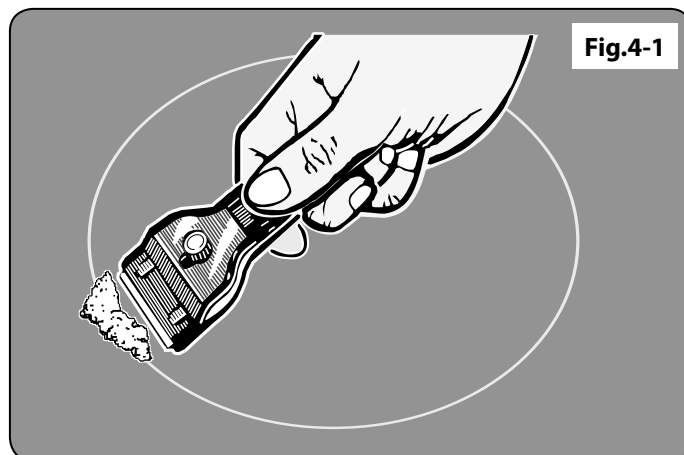
Isolate the electricity supply before carrying out any major cleaning. Allow the cooker to cool.

**Never use paint solvents, washing soda, caustic cleaners, biological powders, bleach, chlorine based bleach cleaners, coarse abrasives or salt. Do not mix different cleaning products – they may react together with hazardous results.**

All parts of the cooker can be cleaned with hot soapy water – **but take care that no surplus water seeps into the appliance.**

*We have developed a range of cleaning products that give maximum performance without damaging the enamel and painted surfaces, in particular a Ceramic Hob Cleaner set with scraper. More information is available through either the Cookware Collection brochure supplied with your cooker or our website [www.rangemastercookshop.co.uk](http://www.rangemastercookshop.co.uk).*

Remember to switch the electricity supply back on and reset the clock before reusing the cooker.



### Hob

#### Daily Care

First of all make sure that all heat indicator lights are off and that the cooking surface is cool. Apply a small dab of ceramic cleaning cream in the centre of each area to be cleaned. Dampen a clean paper towel and work the cream onto the cooking surface. As a final step, wipe the cooking surface with a clean, dry paper towel.

#### Cleaning Spills

For spills and boil-overs that occur while cooking, turn the unit off and wipe the area surrounding the hot zone with a clean paper towel. If a spill (other than a sugary substance) is on the hot zone, do not clean until the unit has completely cooled down, and then follow the instructions below ('Cleaning burned-on spills').

If you accidentally melt anything on the surface, or if you spill foods with a high sugar content (preserves, tomato sauce, fruit juice, etc.), remove the spill IMMEDIATELY with a razor scraper, while the unit is still hot.

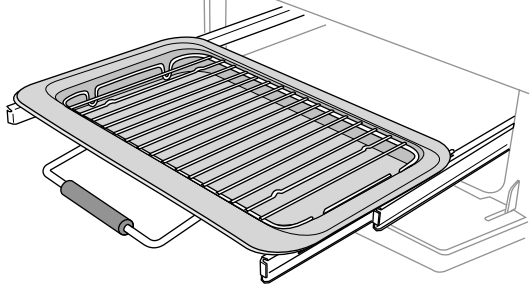
**IMPORTANT: Use an oven glove to protect your hand from potential burns.**

Scrape the major spill or melted material from the cooking zone and push into a cold area. Then, turn the unit 'OFF' and allow it to cool before cleaning further. After the cooking surface cools down and the heat indicator lights go off, follow the 'Daily Care' procedure outlined above.

#### Cleaning Burned-on Spills

Make sure that the heat indicator lights are off and that the hob is cool. Remove the excess burned-on substance with a single-edged razor scraper. Hold the scraper at an angle of about 30° to the surface and then scrape off the burned-on matter (**Fig.4-1**).

Fig.4-2



Once you have removed as much as possible with the scraper, follow the 'Daily Care' procedure outlined above.

## Glide-out Grill

The grill pan and grid should be washed in hot soapy water. After grilling meats or any foods that soil, leave to soak for a few minutes immediately after use. Stubborn particles may be removed from the grid using a nylon brush. Alternatively, the grill pan can be washed in a dishwasher.

**⚠ Before you remove any of the grill parts for cleaning, ensure that they are cool, or use oven gloves.**

The grill pan can be easily removed for cleaning as follows. Remove the grill pan support frame by pulling the grill pan forward (**Fig.4-2**).

Lift the grill pan clear of the support frame. The support frame is held to the side rails by two clips on each side (**Fig.4-3**).

For each side, support the side rail with one hand and with the other hand lift the frame up and out of the side clips (**Fig.4-4**).

For safety, push the side rails back into the grill chamber.

If you need to remove the side rails to allow cleaning of the grill chamber, you can unhook them from the grill chamber sides (**Fig.4-5**) and wipe the sides clean with a soft cloth and mild detergent.

**⚠ DO NOT use any abrasive substances.**

**⚠ DO NOT put the side runners in a dishwasher.**

Once you have finished, hook the side rails back onto the sides of the chamber. To refit the frame, pull the side rails forward and, for each side in turn, support the side rail and press the frame down into the side rails. Replace the grill pan. When refitting the grill pan, ensure that the wide rim is at the front (**Fig.4-6**).

Fig.4-3

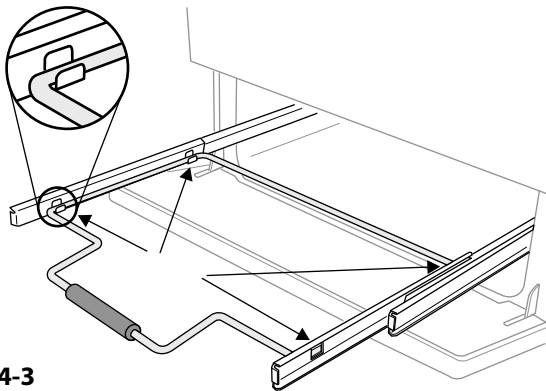


Fig.4-4

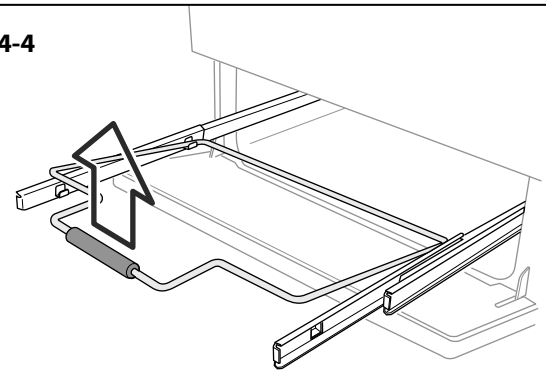


Fig.4-5

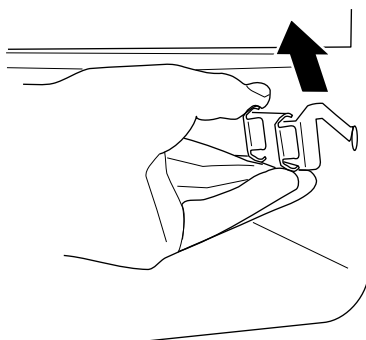
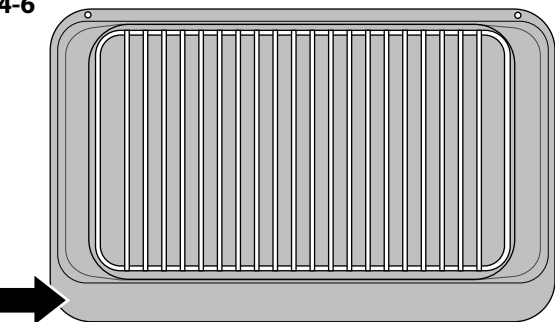


Fig.4-6



## Control Panel and Doors

Avoid using any abrasive cleaners, including cream cleaners, on brushed stainless steel surfaces. For best results, use a liquid detergent or our Multi-purpose Cleaner.

The same cleaner can also be used on the doors. Alternatively, use a soft cloth wrung out in clean hot soapy water. You can use the same method for cleaning the control panel and knobs (although we do supply a specialist Fascia Cleaner). After cleaning, polish with a dry cloth.

## Ovens

### 'Cook & Clean' Panels

The main oven has side 'Cook & Clean' panels which have been coated with a special enamel that partly cleans itself. This does not stop all marks on the lining, but helps to reduce the amount of manual cleaning needed.

These panels work better above 200°C. If you do most of your cooking below this temperature, occasionally remove the panels and wipe with a lint free cloth and hot soapy water. The panels should then be dried and replaced and the oven



heated at 200°C for about one hour. This will ensure that the panels are working effectively.

### Removing the Panels to clean the Enamel Interior

If you wish to clean the enamel interior of the oven, you will first need to remove the shelves.

The right-hand oven has a removable oven roof. Slide the roof liner forwards and remove (**Fig.4-7**).

Each side of the oven is fixed with four fixing screws. You do not have to remove the screws to remove the oven panels. Simply lift each side panel upwards, slide them off the screws and then pull them forwards (**Fig.4-8**).

Once the panels have been removed, the oven enamel interior can be cleaned.

**⚠ DO NOT use steel wool, oven cleaning pads, or any other materials that will scratch the surface.**

### The Tall Oven

To clean the oven sides, slide out the shelves, unhook the supports from the oven sides and lift out (**Fig.4-9**).

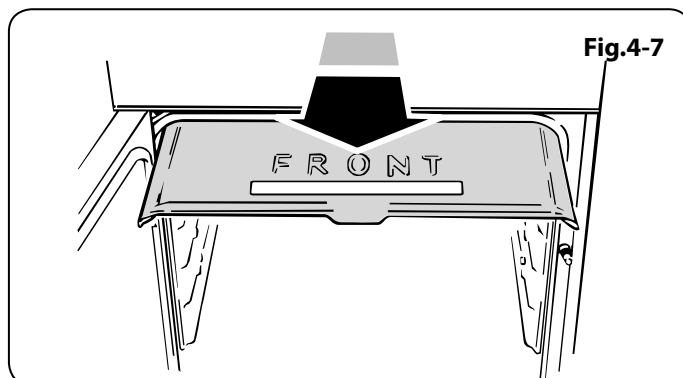


Fig.4-7

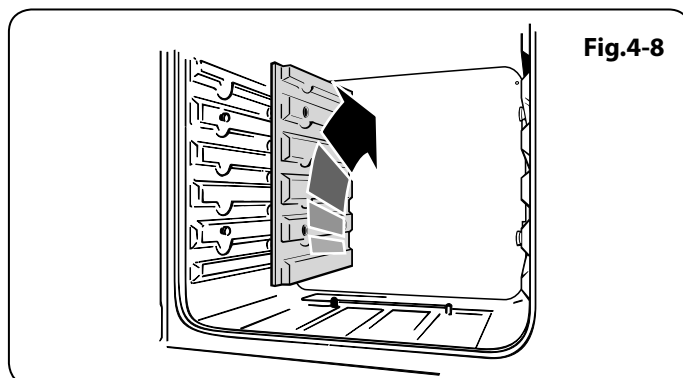


Fig.4-8

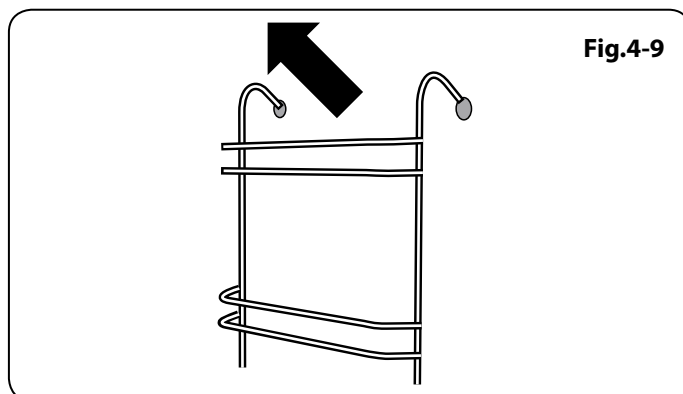


Fig.4-9

## 5. Troubleshooting

---

**⚠ Interference with and repairs to the hob MUST NOT be carried out by unqualified persons. Do not try to repair the hob as this may result in injury and damage to the hob. Please arrange for repair by a suitably competent person.**

**Note:** The induction hob is able to self-diagnose a number of problems and can show this information to the user via the hob control display. Error codes may be displayed if your hob has developed a fault.

If your appliance reports an error or is not working, you may be able to correct the fault by consulting the following.

### **Error code E2 is displayed**

The electronic unit is too hot. Please check the installation of the cooker, making sure that there is sufficient ventilation. In extreme cases, if a cooking utensil has been allowed to boil dry this error code may also be displayed. If in doubt please contact your installer or a qualified repair engineer.

### **No display operation**

Over voltage or loss of supply voltage to the cooker. If in doubt please contact your installer or a qualified repair engineer.

### **Error code ERxx or Ex is displayed**

The appliance has developed an internal technical fault that cannot be rectified by the user. Please contact your installer or a qualified repair engineer.

### **The fuse blows or the RCD trips regularly**

Please contact your installer or a qualified repair engineer.

### **The hob will not switch on**

Has the wiring system in the house blown a fuse or tripped an RCD?

Has the hob been correctly connected to the mains supply?

Has the child lock been activated? Please refer to the child lock section for details of this function.

### **The induction hob is noisy**

When using the induction hob there may be some 'noise' emitted from the pan. This is normal and may be most noticeable when cooking on high power settings or if 5 pans are used simultaneously. The type of pan may also contribute to induction 'noise'.

### **The cooling fan**

The induction hob incorporates a cooling fan. This cooling fan is active when either the grill or ovens are on. Under certain conditions, the cooling fan may remain active when the grill or ovens are switched off. This is normal and the fan will switch off automatically.

### **A crack has appeared in the hob surface**

Disconnect the cooker immediately from the power supply and arrange for its repair. Do not use the cooker until after the repair.

### **My hob is scratched**

Always use the cleaning methods recommended in this guide, and ensure that the pan bottoms are smooth and clean.

Marks from mineral deposits from water or food can be removed with a cleaning cream. However, tiny scratches are not removable but will become less visible in time as a result of cleaning.

### **The oven fan is noisy**

The note of the oven fan may change as the oven heats up – this is perfectly normal.

### **Grill not cooking properly**

Are you using the pan and trivet supplied with the cooker? Is the pan being used on the runners, not the floor of the compartment? Is the grill tray pushed back fully to the 'back stop' position?

### **The knobs get hot when I use the oven or grill. Can I avoid this?**

Yes, this is caused by heat rising from the oven or the grill, and heating them up. Do not leave the oven door open. Make sure that the grill pan is pushed right back to the 'back stop' when grilling.

Always grill with the grill compartment door open.

### **If there is an installation problem and I don't get my original installer to come back to fix it, who pays?**

You do. Service organisations will charge for their call-outs if they are correcting work carried out by your original installer. Therefore, it's in your own interest to keep track of this installer so that you can contact them as required.

### **Power failure**

In the event of a failure in the electrical supply, remember to reset the clock to ensure that the timed oven continues to operate.

## **Food is cooking too slowly, too quickly, or burning**

Cooking times may differ from your previous oven. Adjust the settings according to your own individual tastes.

## **The oven is not cooking evenly**

Do not use a baking tray with dimensions larger than those specified in the section on '*General Oven Tips*'.

If you are cooking a large item, be prepared to turn it round during cooking.

If two shelves are used, check that space has been left for the heat to circulate. When a baking tray is put into the oven, ensure that it is placed centrally on the shelf.

Check that the door seal is not damaged and that the door catch is adjusted so that the door is held firmly against the seal.

A dish of water when placed on the shelf should be the same depth all over. (For example, if it is deeper at the back, then the back of the cooker should be raised up or the front lowered.) If the cooker is not level, arrange for your supplier to level it for you.

## **The timed oven is not coming on when turned on manually**

Is the power on? Is the clock illuminated? If not, there may be something wrong with the power supply. Is the cooker supply on at the isolator switch?

Has the time of day been set?

Is the key symbol (🔒) showing in the display to signify that the oven is locked? See the '*Clock*' section of the instructions for more information on the key lock feature.

## **The timed oven is not coming on when automatic cooking**

Has the oven knob been left in the OFF position by mistake? Is the oven locked (see above)?

## **Oven temperature getting hotter as the cooker gets older**

If turning the temperature down using the oven control knob has not worked, or has only worked for a short time, then you may need a new thermostat. This should be fitted by a service person.

## **The Oven light is not working**

The bulb has probably blown. You can buy a replacement bulb (which is not covered under the guarantee) from most electrical stores. Ask for an Edison screw fitting 15W 240V lamp, FOR OVENS. It must be a special bulb, heat resistant to 300°C. See the HELP leaflet for spares by mail order.

Before removing the existing bulb, turn off the power supply and ensure that the oven is cool. Open the oven door and remove the oven shelves.

Locate the bulb cover and unscrew it by turning it anticlockwise (it may be very stiff).

Now unscrew the existing bulb anticlockwise, taking care to protect your fingers with a glove in case the bulb should shatter.

Screw in the new bulb clockwise and then screw the bulb cover back on. Turn on the electricity supply and check that the bulb now lights.

## INSTALLATION

Check the appliance is electrically safe when you have finished.

# 6. Installation

## Dear Installer

Before you start your installation, please complete the details below, so that, if your customer has a problem relating to your installation, they will be able to contact you easily.

|                                     |
|-------------------------------------|
| <b>Installer's Name</b>             |
| <b>Installer's Company</b>          |
| <b>Installer's Telephone number</b> |
| <b>Appliance Serial Number</b>      |

## Safety Requirements

The cooker must be installed in a well-ventilated space, in accordance with the section entitled 'Electrical Connection'.

Read these instructions before installing or using the appliance.

## Provision of Ventilation

This appliance is not connected to a combustion products evacuation device. Therefore, particular attention must be given to the relevant requirements regarding ventilation.

All rooms require a window that can be opened, or equivalent, while some rooms require a permanent vent in addition to the window.

## Location of Cooker

The cooker may be installed in a kitchen/kitchen diner but NOT in a room containing a bath or shower.

This appliance is designed for domestic cooking only. Use for any other purpose could invalidate any warranty or liability claim.

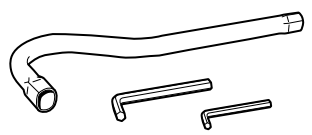
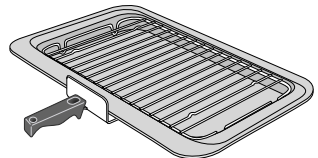
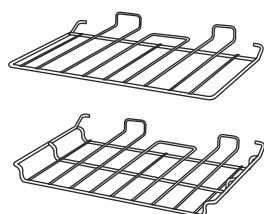
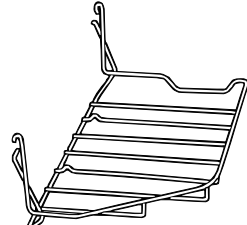
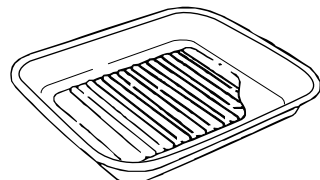
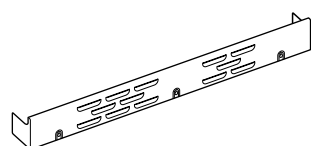

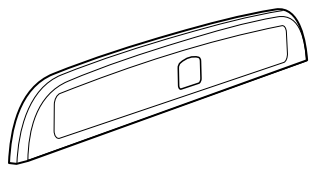
**You will need the following equipment to complete the cooker installation satisfactorily:**

- Multimeter (for electrical checks)
- Cooker levelling tool with Allen keys (provided in pack)

**You will also need the following tools:**

1. Electric drill
2. Masonry drill bit (only required if fitting the cooker on a stone or concrete floor)
3. Wall plugs (only required if fitting the cooker on a stone or concrete floor)
4. Steel tape measure
5. Cross-head screwdriver
6. Flat-bladed screwdriver
7. Spirit level
8. Pencil
9. Adjustable spanner

**Checking the parts:**

|   |  |
|---|--|
| <i>Levelling tool and Allen keys</i><br>          | <i>Grill pan and trivet</i><br> |
| <i>1 flat oven shelf and 1 drop shelf</i><br>   | <i>Handyrack</i><br>          |
| <i>Roasting tin</i><br>                         | <i>Plinth</i><br>             |
| <i>Tall oven shelves and shelf supports</i><br> | <i>Splashback</i><br>         |

## INSTALLATION

Check the appliance is electrically safe when you have finished.

### Positioning the Cooker

**Fig.6-1** shows the minimum recommended distance from the cooker to nearby surfaces.

The cooker should not be placed on a base.

The hotplate surround should be level with, or above, any adjacent work surface. A gap of 75mm should be left between each side of the cooker **ABOVE** the hotplate level and any adjacent vertical surface.

For non-combustible surfaces (such as unpainted metal or ceramic tiles), this can be reduced to 25mm. A minimum space of 650mm is required between the top of the hob and a horizontal combustible surface.

**Fig.6-2** shows the suggested clearances above the cooker.

*\*Any cooker hood should be installed in accordance with the hood manufacturer's instructions.*

Surfaces of furniture and walls at the sides and rear of the appliance should be heat, splash and steam resistant. Certain types of vinyl or laminate kitchen furniture are particularly prone to heat damage and discolouration. We cannot accept responsibility for damage caused by normal use of the cooker to any material that de-laminates or discolours at temperatures less than 65°C above room temperature.

We recommend a gap of 920mm between units to allow for moving the cooker. Do not box the cooker in – it must be possible to move the cooker in and out for cleaning and servicing.

A clearance of 130mm is required if the cooker is near a corner of the kitchen, to allow the oven doors to open (**Fig.6-3**). The actual opening of the doors is slightly less, but this allows for some protection of your hand as you open the door.

### Unpacking the Cooker

Do not take any packaging off the cooker until it is directly in front of the place in which it is to be installed (unless it will not fit through a door in its outer packaging).

Cut the banding straps and lift the cardboard box off the cooker, leaving the cooker standing on the base packaging. See the loose unpacking sheet.

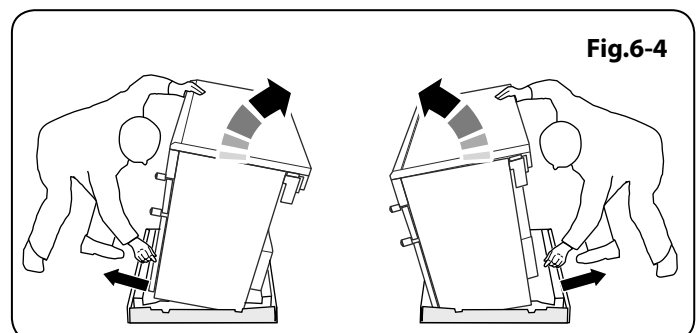
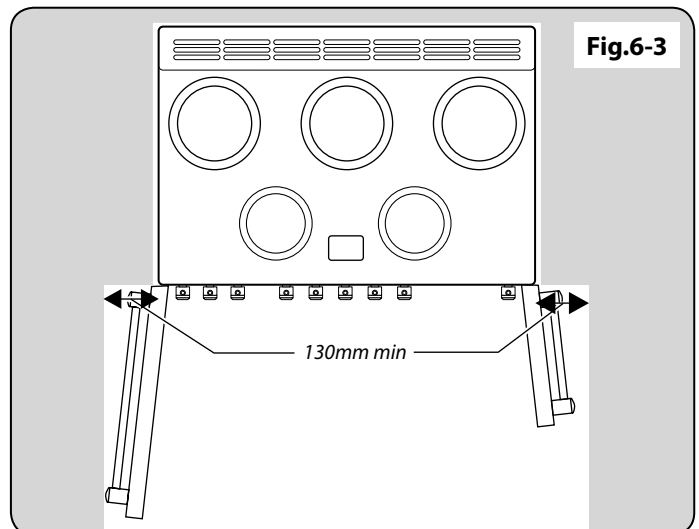
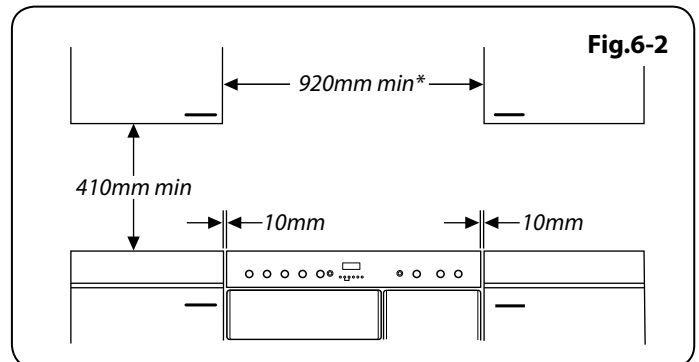
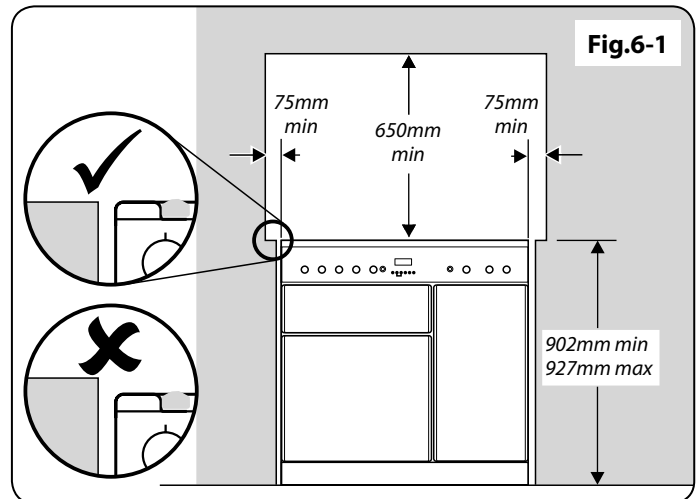
### Moving the Cooker

**⚠ On no account try and move the cooker while it is plugged into the electricity supply.**

**⚠ The cooker is very heavy, so take great care.**

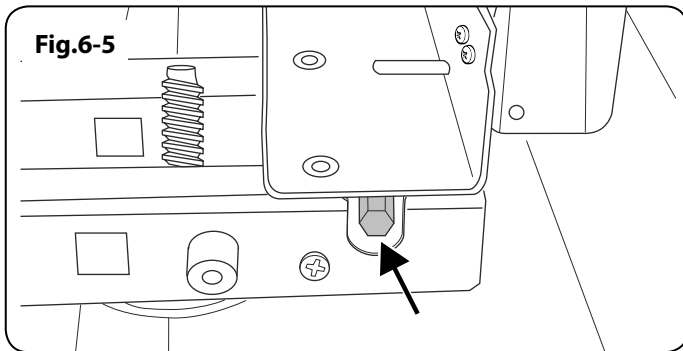
We recommend two people manoeuvre the cooker. Ensure that the floor covering is firmly fixed, or removed to prevent it being disturbed when moving the cooker around. To help you, there are two levelling rollers at the back and two screw-down levelling feet at the front. You will need the levelling tool.

From the back, tilt the cooker forward and remove the rear half of the polystyrene base pack (**Fig.6-4**). Repeat from the front and remove the front half of the poly base.



## INSTALLATION

Check the appliance is electrically safe when you have finished.

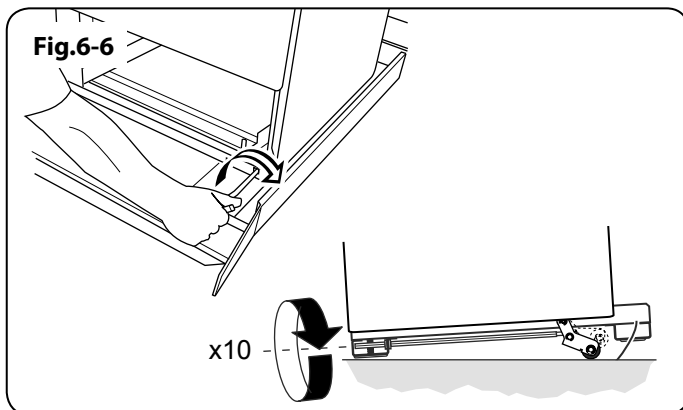


### Lower the Two Rear Rollers

First fit the levelling tool on the hexagonal adjusting nut (**Fig.6-5**).

Make 10 complete (360°) turns clockwise (**Fig.6-6**). (This means turning and removing the levelling tool 20 times.)

Make sure you lower BOTH REAR ROLLERS. There are two adjusting nuts, one for each roller, at both the front bottom corners of the cooker.



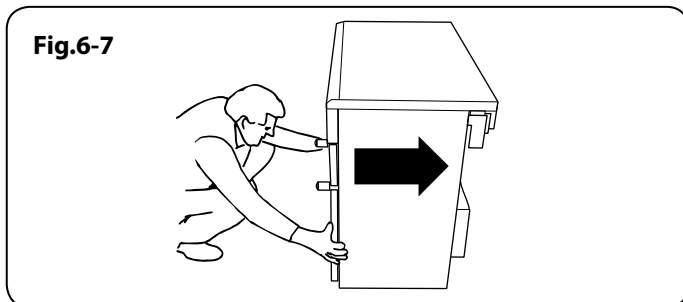
### Completing the Move

Unfold the rear edge of the pack base tray. Open the grill door and right-hand oven door so that you can get a good grip on the bottom of the fascia panel as you move the cooker.

Grip under the fascia panel and lift the front of the cooker slightly (**Fig.6-7**).

Carefully push the cooker backwards off the pack base. Remove the pack base tray. Position the cooker close to its final position, leaving just enough space to get behind it.

**⚠ DO NOT use the door handles or control knobs to manoeuvre the cooker.**

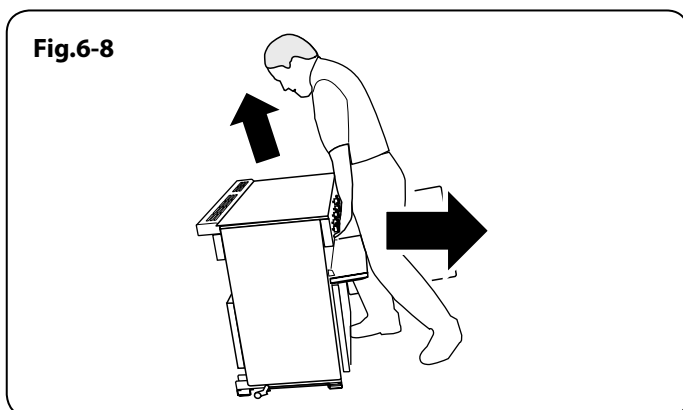


### Repositioning the Cooker following Connection

If you need to move the cooker once it has been connected, make sure it is switched off at the supply switch before gripping under the fascia panel and lifting the front of the cooker slightly (**Fig.6-8**). Check behind the cooker to ensure that the electricity cable is not caught. As you progress, always ensure that the cable has sufficient slack to allow the cooker to move.

*If a stability chain is fitted, release it as you ease the cooker out. Do not forget to refit it when you replace the cooker.*

When you replace the cooker, check behind it again once more to ensure that the electricity cable is not caught or trapped.



### Levelling

It is recommended that you use a spirit level on a shelf in one of the ovens to check for level.

Place the cooker in its intended position. Take care not to twist it within the gap between the kitchen units, as otherwise, damage may occur to the cooker or units.

The front feet and rear rollers can be adjusted to level the cooker. To adjust the height of the rear of the cooker, use the levelling tool supplied to turn the roller adjusting nuts at the front bottom corners of the cooker. To raise or lower the feet, simply turn the disks that are fitted onto them.

### Fitting the Handles

To fit the handles, first remove the 4mm Allen screws from the doors. Locate the door handles to the doors, making sure that the handles are above the fittings, and secure in position

## INSTALLATION

Check the appliance is electrically safe when you have finished.

using the Allen screws. Insert the blanking plugs into the fixing holes.

The fit the front handrail, first remove the 4mm Allen screws from the top corners of the fascia. Locate the handrail to the fascia and secure in place.

### Fitting the Splashback (optional)

The splashback fits the back of the cooker. It is secured using 4 screws (2 at each end) in the rear edge of the flue grille. Remove the outer 2 screws and then loosen the inner pair. Fit the splashback over the inner screws and then refit the outer screws (**Fig.6-9**). Tighten all screws to secure.

### Electrical Connection

The cooker must be installed by a qualified electrician, in accordance with all relevant British Standards/Codes of Practice (in particular BS 7671), or with the relevant national and local regulations.

**⚠ WARNING: THE APPLIANCE MUST BE EARTHED.**

**Note:** The cooker must be connected to the correct electrical supply as stated on the voltage label on the cooker, through a suitable cooker control unit incorporating a double pole switch, having a contact separation of at least 3mm in all poles.

**⚠ The cooker must not be connected to an ordinary domestic power point.**

Access to the mains terminal is gained by removing the electrical terminal cover box on the back panel. Connect the mains cable to the correct terminals for your electrical supply type (**Fig.6-10** and **Fig.6-11**). Check that the links are correctly fitted and that the terminal screws are tight. Secure the mains cable using the cable clamp.

### Hob Check

Check each cooking zone in turn. Be sure to use pans of the correct size and material.

### Grill Check

Turn on the grill control and check that the grill heats up.

### Oven Check

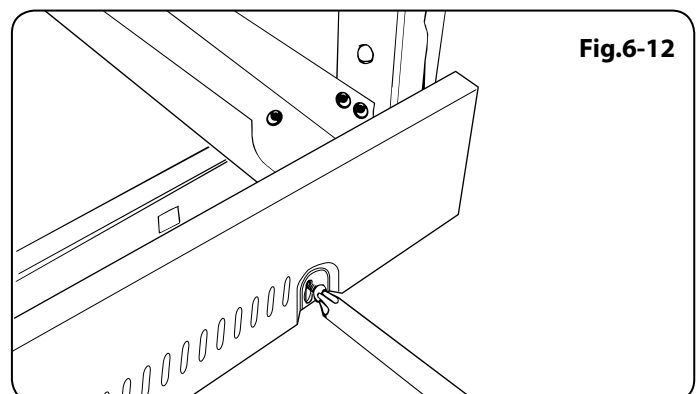
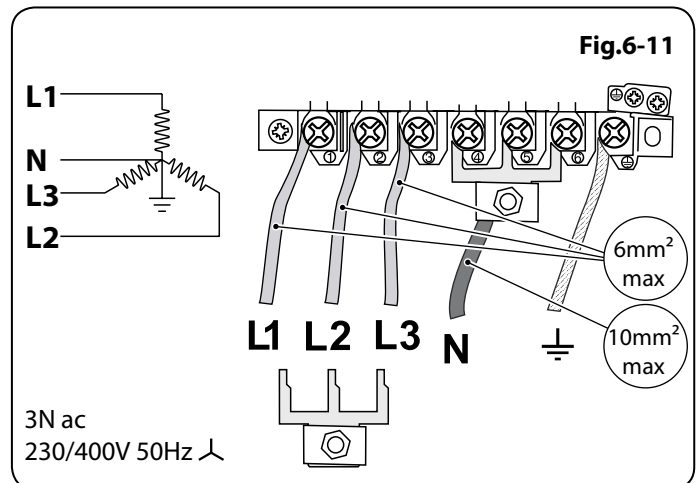
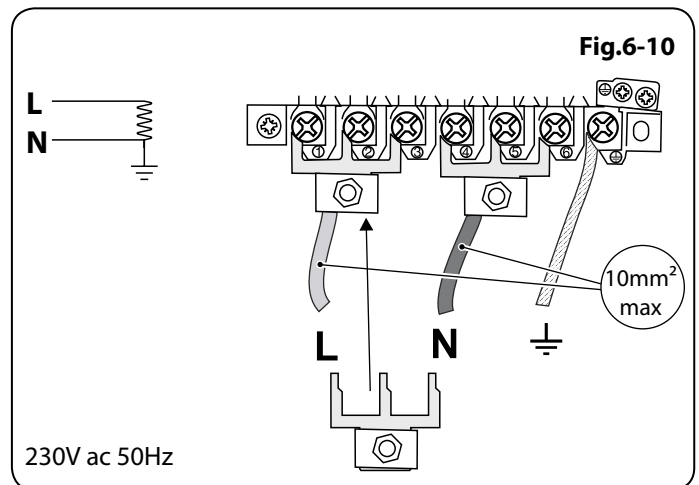
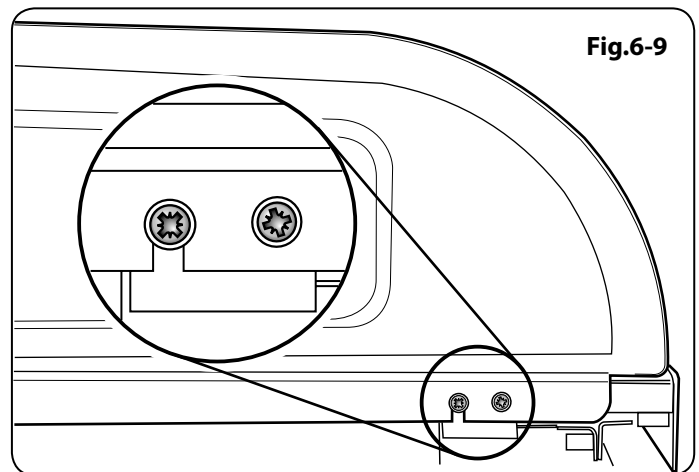
Set the clock as described earlier, and then turn on the ovens. Check the oven fans start to turn and that the ovens heat up.

### Fitting the Plinth

Loosen the three screws along the front bottom edge of the cooker. Hook the central keyhole over the central screw. Twist and fit each end keyhole over their respective screws. Tighten the fixing screws (**Fig.6-12**).

Please complete your contact details in the front of this section. Please inform the user how to operate the cooker and hand over the instruction pack.

*Thank you.*



## 7. Servicing

**⚠** **Disconnect the cooker from the electricity supply before servicing, particularly before removing any of the following: control panel, side panels, ceramic hob, or any of the electrical components or cover boxes.**

**⚠** **Before reconnection, check that the appliance is electrically safe.**

### 1. To Remove a Side Panel

**Disconnect from electricity supply.**

Pull the cooker forward. Remove the fixing screws.

Remove the retaining screws for each panel (one at the front, two at the rear, and one at each lower front corner of the side panels).

Reassemble in reverse order.

### 2. To Lift up the Ceramic Hob

**Disconnect from electricity supply.**

Remove the blanking plugs at the top front of each of the side panels to allow access to the hob fixing screws (1 each side) at the top of the side uprights. Remove these screws.

Lift up the ceramic hob at the front and prop in position with a non-metallic prop.

**CAUTION:** The ceramic hob material is much more sensitive to scratches on the underside than the top.

Take care not to touch or scratch the underside of the ceramic as this will weaken the material and cause the top to shatter.

### 3. To Remove the Control Panel

**Disconnect from electricity supply.**

Remove the two blanking plugs from the handrail fixing brackets. Remove the handrail by unscrewing the 2 end bracket fixing screws (**Fig.7-1**).

Pull off all the control knobs. Open the grill and right-hand oven door and remove the control panel fixing screws underneath the control panel. The screws directly below the clock are for the clock fixing bracket, so do not remove them at this stage.

Lift the control panel, pull forward and disconnect the wiring from the rear.

Reassemble in reverse order. When replacing leads, refer to the wiring diagram in this manual. Check the operation of the timer.

### 4. To Replace a Hob Element

**Disconnect from electricity supply.**

Lift up the ceramic hob (see 2). The Induction Heating Elements (IHE) are now accessible. Note the wire connection positions and element orientation for re-assembly. Disconnect the wires, and remove the element unit and springs. Re-assemble in the reverse order.

**Note:** The IHE will require commissioning when the hob has been refitted.

### 5. To Replace the Light Switch

**Disconnect from electricity supply.**

Remove the control panel (see 1).

**Note:** The old switch may be destroyed during removal. Remove the old switch from its bezel by gripping the switch body behind the control panel and twisting sharply. Remove the switch bezel by folding back its locking wings and pushing forward. Fit the new bezel to the control panel by first lining up the raised key on its body with the cut-out in the control panel and pushing it in from the front.

Assemble the new switch to the bezel by lining up the key sections and pushing home. Fit the new button by pushing in from the front.

Replace the Control Panel in reverse order and test for correct operation.

### 6. To Remove the Electronic Timer

**Disconnect from electricity supply.**

Remove the control panel (see 1). Pull off the timer control button(s).

Remove the timer/mounting bracket assembly from the control panel by removing the fixing screws.

Remove the timer from its mounting bracket by depressing the plastic lugs on the timer case, at the same time pulling the unit forward.

Reassemble in reverse order. When replacing the leads, refer to the wiring diagram in this manual. Check the operation of the timer.

### 7. To Replace a Thermostat

**Disconnect from the electricity supply.**

Remove control panel (see 1) and lift hob (see 3). Open the oven door. Remove the oven furniture and slide out the oven roof liner if fitted.

For the right-hand oven, remove the thermostat phial cover (two screws). Unclip the thermostat phial from the clips in the oven back.

For the left-hand oven, pull cooker forward to gain access to the cover box at the rear of the cooker. Remove the four screws securing the cover and lift clear.

Feed the thermostat capillary out of the oven. Disconnect the wiring from the thermostat. Remove two screws holding thermostat to mounting panel. Fit new thermostat and reassemble in reverse order. Ensure that the phial is clipped to the oven back with the phial centrally positioned between the clips.

Check the operation of the thermostat.

### 8. To Replace the Grill Controller

**Disconnect from electricity supply.**

Remove the control panel and lift up the hob (see 1 and 3). Disconnect the wiring from the controller. Remove the two screws holding the controller to the mounting panel. Fit the new controller and reassemble in reverse order. Check for correct operation.



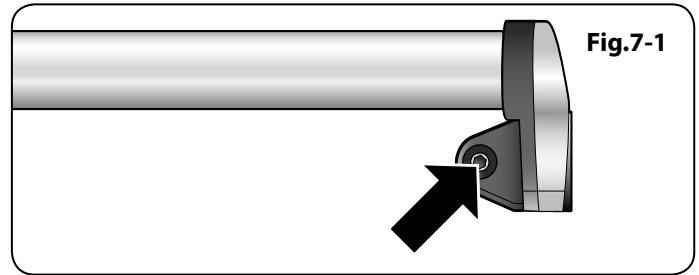
**WARNING – SERVICING TO BE CARRIED OUT ONLY BY AN AUTHORISED PERSON**  
**Disconnect from electricity before servicing. Check appliance is safe when you have finished.**

**9. To Remove the Grill Door**

Remove the control panel (see 1). Remove the left-hand side panel (see 2). Remove the centre cover strip (5 screws, 2 top, 2 bottom, 1 in middle). Remove the two countersunk screws (1 each side) securing the grill hinge arms to the front of the grill chamber.

**Note:** The arms are spring tensioned. Carefully remove the grill door. Retain the gaskets.

Reassemble in reverse order ensuring that the gasket is fitted between the hinge arm and the front of the grill chamber.



**10. To Remove Grill Element**

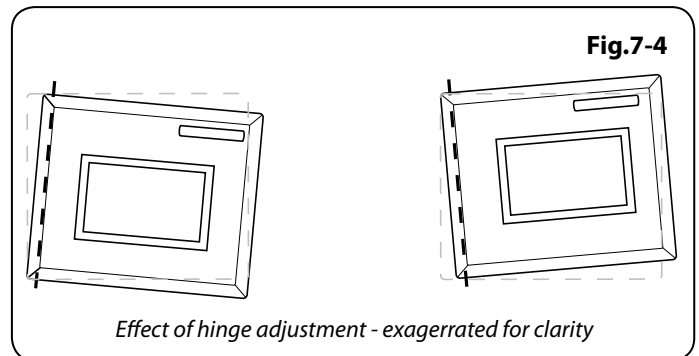
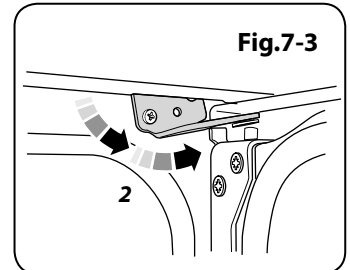
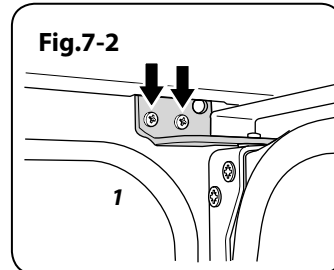
**Disconnect from electricity supply.**

Remove grill pan from inside the grill compartment; remove the enamelled front shield from the grill roof, by undoing the two screws and washers.

Remove the two screws and washers securing the grill element front support. Remove the screws from the grill element.

Lift the element out carefully, disconnecting the leads from the element terminals (noting their position). If it is not possible to disconnect the leads in this way, pull the cooker forward to gain access to the rear, remove the screws securing the electric cover to the back sheet, remove the cover and disconnect the terminals from the rear.

Fit the new element and reassemble in reverse order. Check the operation of the grill.

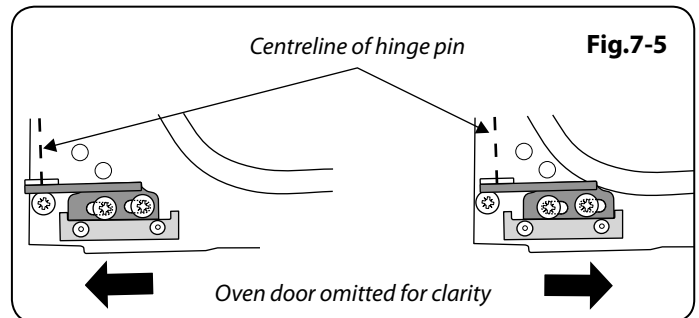


**11. To Replace an Oven Door**

Open the oven door. Support the door and remove the two screws securing the upper hinge and gasket to the cooker front (Fig.7-2). Remove the door from the lower hinge by lifting slightly and moving outwards (Fig.7-3).

**⚠ The door is heavy, so take care.**

Reassemble in reverse order.



**12. To Adjust an Oven Door Angle**

The bottom hinge of either oven door can be adjusted to alter the angle of the door (Fig.7-4). Loosen the bottom hinge fixing screws and use the notch and a flat bladed screwdriver to move the position of the hinge to set the hinge position (Fig.7-5).

Retighten the hinge screws.

**13. To Replace an Oven Door Outer Panel**

Move the cooker forward to gain access to the sides.

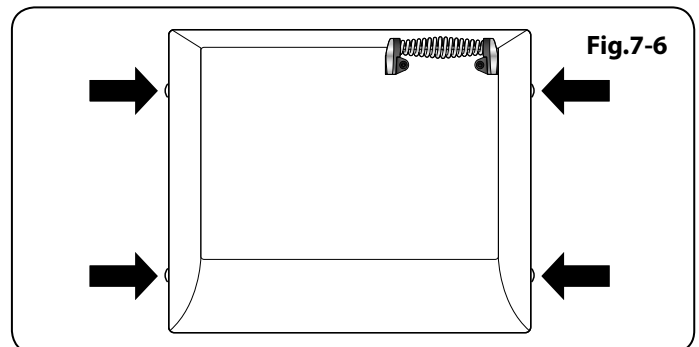
Open the oven door slightly and remove the front panel fixing screws from the door sides – two each side (Fig.7-6).

Carefully lift off the outer door panel.

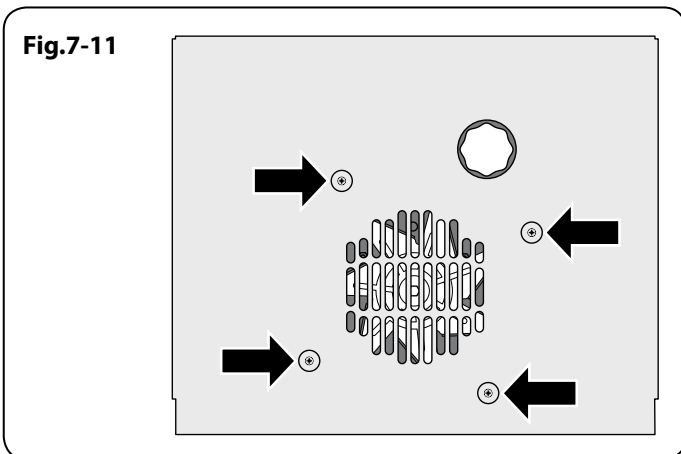
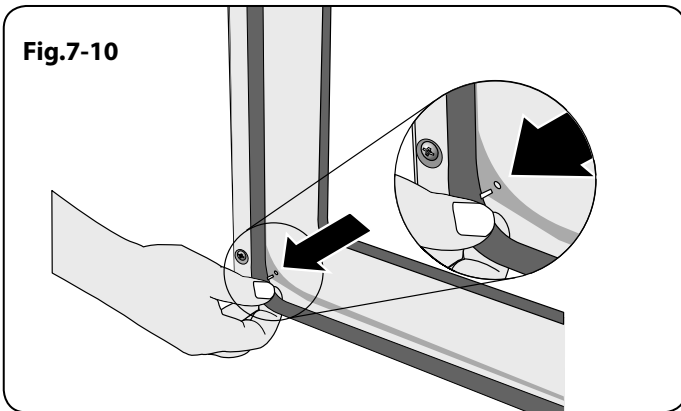
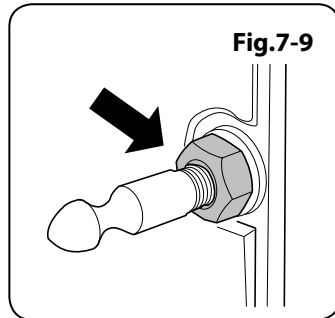
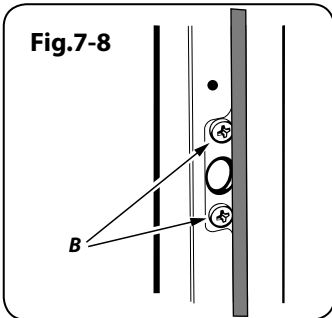
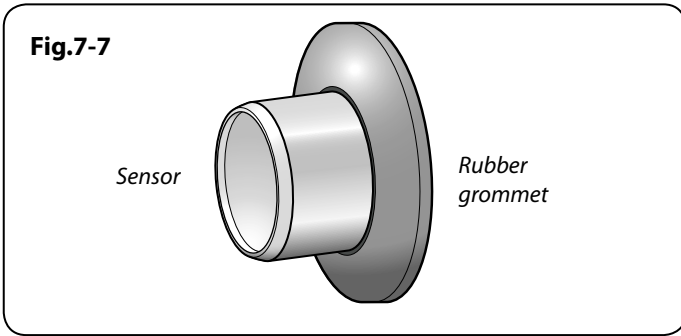
Remove the two plastic blanking plugs from the door handle. Remove the door handle from the panel by unscrewing the two retaining nuts. Fit the door handle to the new panel and refit the two blanking plugs to the fixing holes.

**Note:** If replacing the outer panel on the right-hand door (with the Thermodial), take care to make sure the sensor of the Thermodial is sealed to the door by the rubber grommet (Fig.7-7).

Fit the panel to the door. Reassemble in reverse order.



**WARNING – SERVICING TO BE CARRIED OUT ONLY BY AN AUTHORISED PERSON**  
**Disconnect from electricity before servicing. Check appliance is safe when you have finished.**



**14. To Replace the Tall Oven Door Outer Panel**

Remove the oven door (see 11). Lay the door face down on a suitable surface and remove the two screws from the bottom edge of the door and the two screws from the inside face of the door.

Remove the outer door panel. Remove the handle by unscrewing the two screws.

Unscrew the two cross-headed screws holding the door handle fixing bracket to the door panel. Fit the door handle bracket and door handle to the new panel.

Fit the panel to the door and reassemble in the reverse order.

**15. To Change the Main Oven Door Latch**

Remove the outer door panel (see 13). Remove screws 'B' that hold the latch assembly to the inner door panel (**Fig.7-8**). Fit the new catch and reassemble in reverse order.

Verify the door operation.

**16. To Adjust the Main Oven Door Catch Keep**

Open the oven door, and slacken off the locknut at the base of the keep (**Fig.7-9**). Screw in or out as required until the required fit is obtained. Retighten the locking nut.

**17. To Replace the Tall oven Magnetic Latch**

Remove the control panel (see 1). Remove the plinth (3 screws) and the central vertical cover (5 screws). Prise the retaining clip off the magnet unit.

Fit the new unit and retaining clip, and reassemble in reverse order. Check that the door operates correctly.

**18. To Replace an Oven Door Seal**

Open the oven door. The seal has small hooks that hold it in place by locating into holes in the rear door face on the main oven and oven front face on tall oven. At the corner, pull the seal diagonally away from the door centre until the hook is released (**Fig.7-10**). Proceed to the next hook and release it in a similar way, and so on.

You can use force if the hooks are stiff, as the old seal will be discarded.

Carefully lift away the inner back. Reassemble in reverse order making sure that the four screws and washers are fully tightened.

**19. To Remove an Oven Element Thermal Cut-out**

**Disconnect from electricity supply.**

Pull the cooker forward to gain access to the cover box. Undo the cover screws and lift clear. The cut-out is located on the earth plate beside the oven element connections. Disconnect the cut-out wiring. Undo the fixings that secure the cut-out to the earth plate and remove. Fit the replacement control and re-assemble in reverse order.

**20. To Remove an Oven Inner Back**

**Disconnect from electricity supply.**

Open the door and remove the shelves. Remove the screws and washers securing the inner back to the back of the oven (**Fig.7-11**). Carefully lift away the inner back. Reassemble in reverse order making sure that the screws and washers are fully tightened.

**WARNING – SERVICING TO BE CARRIED OUT ONLY BY AN AUTHORISED PERSON**  
**Disconnect from electricity before servicing. Check appliance is safe when you have finished.**

## 21. To Remove the Fan Oven Element

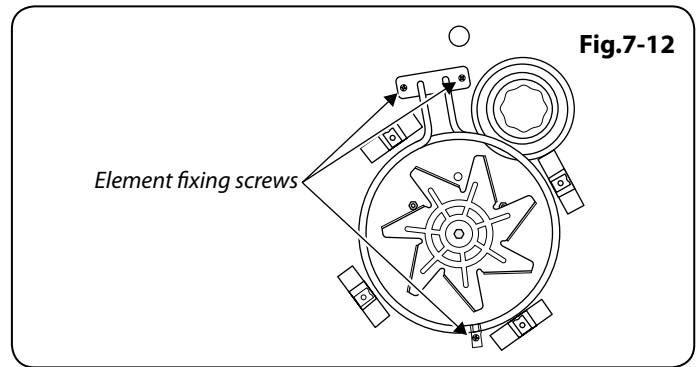
### **Disconnect from electricity supply.**

Remove the oven inner back (see 20). Remove the two screws from the top of the element and the one from the bottom of the element inside the oven (**Fig.7-12**).

Lift the element out carefully, disconnecting the terminals connected to the element (noting their positions).

If it is not possible to disconnect the leads in this way, pull the cooker forward to gain access to the rear.

Remove the screws securing the electric cover to the back sheet, remove the cover and disconnect the terminals from the rear.

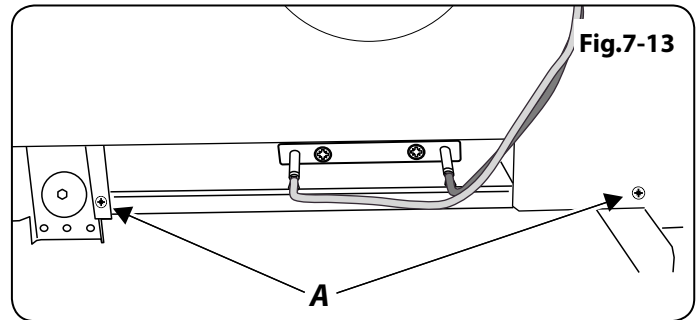


## 22. To Replace an Oven Fan

### **Disconnect from electricity supply.**

Pull the cooker forward to gain access to the rear. Remove the screws securing the electric cover to the back sheet and remove the cover.

Disconnect the three terminals connected to the fan noting their position. Remove the oven inner back (see 20). Hold the fan blade and remove the centre nut (left-hand thread) two brass washers, fan blade and circlip. Unscrew the fan retaining nuts and washers (three off each) and lift the fan away from the rear of the cooker. Fit the new fan and reassemble in reverse order. Check the operation of the oven.



## 23. To Remove the Left-hand Oven Bottom and Top Elements

### **Disconnect from the electricity supply.**

#### **Bottom Element**

Pull the cooker forward to access the cover boxes at the rear of the unit. Remove the fixings that secure the cover and lift it clear.

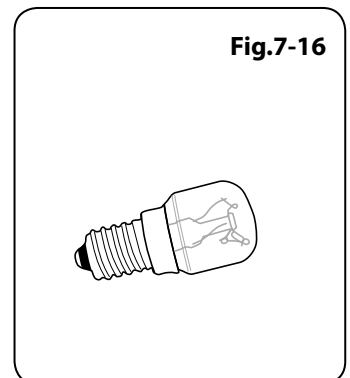
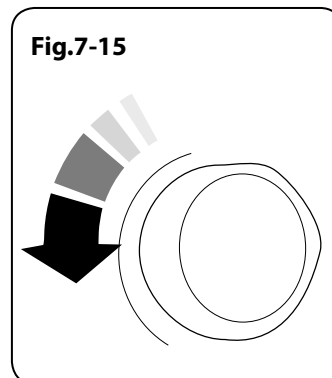
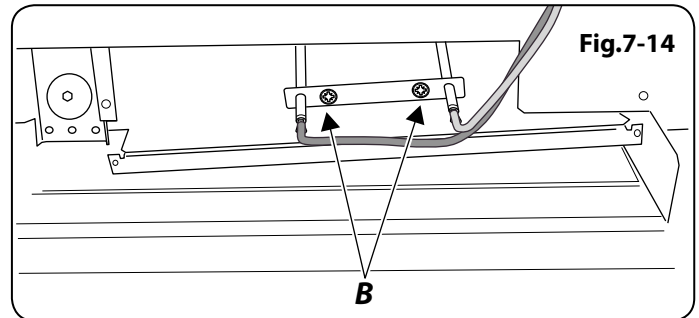
Remove the two screws 'A' and allow the plate to drop down (**Fig.7-13**). Remove the two screws 'B' holding the element to the bottom sheet (**Fig.7-14**). Undo the terminal connections, noting their positions. Withdraw the element.

Replace the element and re-assemble parts in reverse order.

#### **Top Element**

Open the left-hand oven door and undo the fixings that secure the heat shield. Remove the top element bracket fixings and withdraw the element.

Replace the element and re-assemble parts in reverse order. Check that the oven operates satisfactorily.



## 24. To Change Oven Light Bulb

### **Disconnect from electricity supply.**

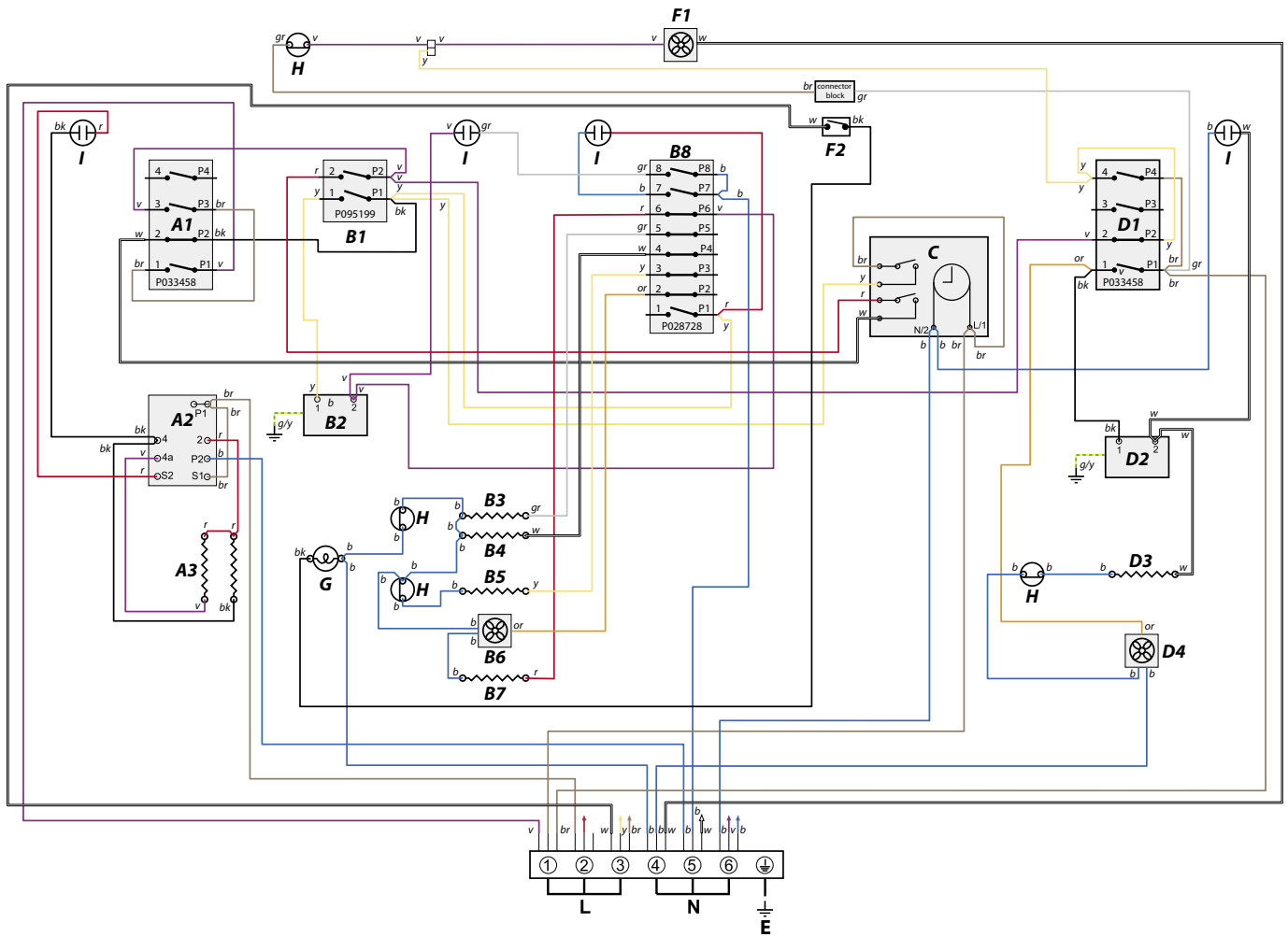
Make sure the oven is cool. Open the oven door and remove the oven shelves. Remove the grill pan and support from the grill chamber.

Unscrew the bulb cover by turning anticlockwise. It may be very stiff (**Fig.7-15**). Taking care to protect your fingers in case the bulb should shatter, unscrew the old bulb.

Fit an Edison screw fitting 15W 240V lamp, FOR OVENS. It must be a special bulb, heat resistant to 300°C (**Fig.7-16**).

Screw in the new bulb, and then screw back the bulb cover. Turn on the electricity supply and check that the bulb now lights.

# 8. Circuit Diagram: Oven



**Key**

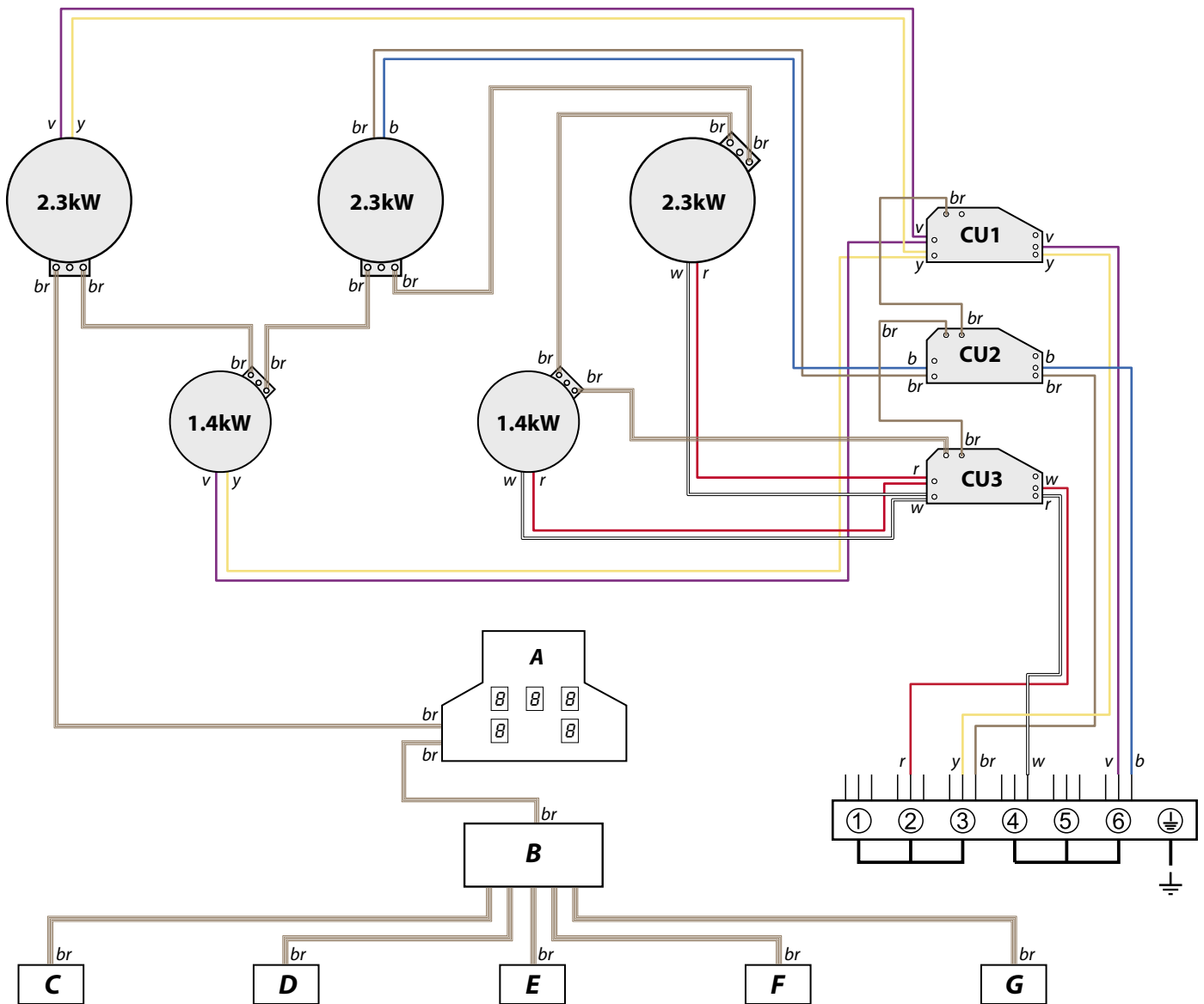
The connections shown in the circuit diagram are for single-phase. The ratings are for 230V 50Hz.

| Code      | Description                        |
|-----------|------------------------------------|
| <b>A1</b> | Grill front switch                 |
| <b>A2</b> | Grill energy regulator             |
| <b>A3</b> | Grill elements                     |
| <b>B1</b> | Left-hand oven front switch        |
| <b>B2</b> | Left-hand oven thermostat          |
| <b>B3</b> | Left-hand oven top element (outer) |
| <b>B4</b> | Left-hand oven top element (inner) |
| <b>B5</b> | Left-hand oven centre element      |
| <b>B6</b> | Left-hand oven fan                 |
| <b>B7</b> | Left-hand oven base element        |
| <b>B8</b> | Left-hand multi-function switch    |

| Code      | Description                  |
|-----------|------------------------------|
| <b>C</b>  | Clock                        |
| <b>D1</b> | Right-hand oven front switch |
| <b>D2</b> | Right-hand oven thermostat   |
| <b>D3</b> | Right-hand oven element      |
| <b>D4</b> | Right-hand oven fan          |
| <b>F1</b> | Cooling fan                  |
| <b>F2</b> | Light switch                 |
| <b>G</b>  | Oven light                   |
| <b>H</b>  | Thermal cut-out              |
| <b>I</b>  | Neon                         |

| Colour Code |              |
|-------------|--------------|
| <b>b</b>    | Blue         |
| <b>br</b>   | Brown        |
| <b>bk</b>   | Black        |
| <b>or</b>   | Orange       |
| <b>r</b>    | Red          |
| <b>v</b>    | Violet       |
| <b>w</b>    | White        |
| <b>y</b>    | Yellow       |
| <b>g/y</b>  | Green/yellow |
| <b>gr</b>   | Grey         |

# Circuit Diagram: Hob



| Code       | Description                           |
|------------|---------------------------------------|
| <b>A</b>   | Touchlite panel                       |
| <b>B</b>   | Distribution board                    |
| <b>C</b>   | Left-hand front control               |
| <b>D</b>   | Left-hand rear control                |
| <b>E</b>   | Central control                       |
| <b>F</b>   | Right-hand rear control               |
| <b>G</b>   | Right-hand front control              |
| <b>CU1</b> | Left-hand pair (slave) control unit   |
| <b>CU2</b> | Centre (slave) control unit           |
| <b>CU3</b> | Right-hand pair (master) control unit |

| Colour Code |              |
|-------------|--------------|
| <b>b</b>    | Blue         |
| <b>br</b>   | Brown        |
| <b>bk</b>   | Black        |
| <b>or</b>   | Orange       |
| <b>r</b>    | Red          |
| <b>v</b>    | Violet       |
| <b>w</b>    | White        |
| <b>y</b>    | Yellow       |
| <b>g/y</b>  | Green/yellow |
| <b>gr</b>   | Grey         |

## 9. Technical Data

INSTALLER: Please leave these instructions with the User.

DATA BADGE LOCATION : Cooker back, serial number repeater badge below oven door opening.

### Connections

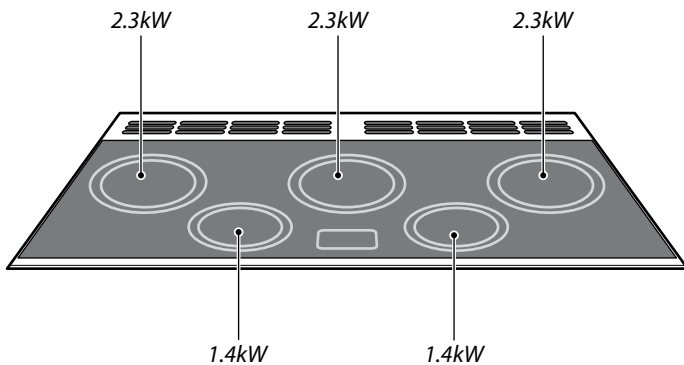
|                 |                 |
|-----------------|-----------------|
| <b>Electric</b> | 220 - 240V 50Hz |
|-----------------|-----------------|

### Dimensions

|                       |               |               |
|-----------------------|---------------|---------------|
| <b>Overall height</b> | minimum 902mm | maximum 927mm |
| <b>Overall width</b>  | 900mm         |               |
| <b>Overall depth</b>  | 650mm         |               |

Refer to 'Positioning the Cooker'.

### Ratings



| <b>Output/Oven</b> | <b>Left-hand multi-function</b> | <b>Right-hand fan</b> |
|--------------------|---------------------------------|-----------------------|
| Maximum output     | 3.7kW                           | 2.5kW                 |

| <b>Ovens</b>   | <b>Main oven</b>      | <b>Tall oven</b>             |
|--|-----------------------|------------------------------|
|  | <b>Multi-function</b> | <b>Forced air convection</b> |
| <b>Energy efficiency class on a scale</b><br>of A (more efficient) to G (less efficient) | B                     | B                            |
| <b>Energy consumption based on standard load</b>   | 0.90kWh               | 0.99kWh                      |
| <b>Usable volume (litres)</b>  | 62                    | 53                           |
| <b>Size</b>  | Medium                | Medium                       |
| <b>Time to cook standard load</b>  | 41 minutes            | 49 minutes                   |
| <b>Surface area of the grid</b>  | 1400cm <sup>2</sup>   | 790cm <sup>2</sup>           |

|              |       |
|--------------|-------|
| <b>Grill</b> | 2.3kW |
|--------------|-------|

**Maximum total electrical load at 230V** 18.2kW (approximate total including oven lights, oven fan, etc.)

## Contents

---

|    |                                 |    |
|----|---------------------------------|----|
| 1. | Avant de commencer...           | 1  |
| 2. | Vue d'ensemble de la Cuisinière | 3  |
| 3. | Conseils pour la Cuisson        | 12 |
| 4. | Nettoyage de la Cuisinière      | 13 |
| 5. | Dépannage                       | 16 |
| 6. | Installation                    | 18 |
| 7. | Entretien                       | 22 |
| 8. | Schémas de câblage              | 26 |
| 9. | Fiche technique                 | 28 |

## 1. Avant de commencer...

Nous vous remercions d'avoir acheté une cuisinière Falcon. Installée et utilisée correctement, cette cuisinière vous donnera de nombreuses années de service fiable. Il est donc important de lire la présente section avant de commencer, en particulier si vous n'avez jamais utilisé de cuisinière à induction.

**⚠ Cet appareil est conçu uniquement pour un usage domestique. Toute autre utilisation n'engage ni la responsabilité, ni la garantie du fabricant. En particulier, n'utilisez PAS le four pour chauffer la cuisine – non seulement cette pratique invalidera les réclamations, mais elle constituera un gaspillage d'énergie et un risque de surchauffe des boutons de commande.**

### Installation et Entretien

L'installation électrique doit être conforme à la norme BS 7671, ou à la réglementation nationale et locale en vigueur.

Vérifiez que la cuisinière est raccordée à l'alimentation électrique et sous tension.

Demandez à l'installateur de vous indiquer l'emplacement du commutateur de commande de la cuisinière. Notez cet emplacement à des fins de référence.

**L'affichage des commandes de la table de cuisson clignotera pendant deux secondes environ à la mise sous tension initiale – ceci est tout à fait normal.**

**Réglez l'horloge pour permettre le fonctionnement des fours – voir la section appropriée des présentes instructions.**

La cuisinière doit faire l'objet d'un entretien effectué par un technicien d'entretien qualifié, lequel doit utiliser uniquement des pièces de rechange approuvées.

Laissez toujours la cuisinière refroidir et mettez-la hors tension avant de la nettoyer ou d'effectuer une intervention d'entretien, sauf indication contraire dans les présentes instructions.

### Odeur de neuf

Une légère odeur de neuf peut se dégager lors de la première utilisation de la cuisinière. Elle disparaîtra rapidement à l'usage.

Avant la première utilisation de l'appareil, assurez-vous qu'il ne reste aucun matériau d'emballage, puis, réglez les fours sur 200°C et faites-les marcher pendant une heure afin d'éliminer l'odeur de neuf.

Avant la première utilisation du gril, allumez-le et faites-le marcher pendant 30 minutes, avec la lèchefrite bien en place, et en laissant la porte du gril ouverte.

Veillez à ce que la pièce soit bien ventilée (voir « Ventilation » ci-dessous). Il est recommandé aux personnes souffrant de problèmes respiratoires ou d'allergies de quitter la pièce pendant ce temps.

### Ventilation

L'utilisation d'un appareil de cuisson produit de la chaleur et de l'humidité dans la pièce contenant l'appareil. Par conséquent, veillez à ce que la cuisine soit bien ventilée : laissez les ouvertures de ventilation naturelle ouvertes ou installez une hotte aspirante à évacuation extérieure. En cas

d'utilisation simultanée de plusieurs brûleurs ou d'utilisation prolongée de la cuisinière, ouvrez une fenêtre ou mettez en marche une hotte aspirante.

### Sécurité personnelle

**Si vous êtes porteur d'un stimulateur cardiaque ou d'une pompe à insuline implantable :** Les fonctions de la table de cuisson sont conformes aux normes européennes en vigueur relatives à l'interférence électromagnétique. Si vous êtes porteur d'un stimulateur cardiaque ou d'une pompe à insuline implantable et êtes inquiet quant aux risques d'interférence, veuillez demander conseil à votre médecin.

**⚠ Cet appareil n'est pas prévu pour être utilisé par des personnes (y compris des enfants) dont les capacités physiques, sensorielles ou mentales sont réduites, ou par des personnes manquant d'expérience ou de connaissances, sauf si elles ont pu bénéficier, par l'intermédiaire d'une personne responsable de leur sécurité, d'une surveillance ou d'instructions préalables concernant l'utilisation de l'appareil.**

**⚠ Veillez à ce que les enfants ne puissent pas jouer avec l'appareil.**

**⚠ N'UTILISEZ PAS de nettoyeur à vapeur pour nettoyer la cuisinière.**

**⚠ Eloignez les objets magnétiques (cartes de crédit et de débit, disques informatiques, calculateurs, etc.) de la table de cuisson lorsque celle-ci est en marche.**

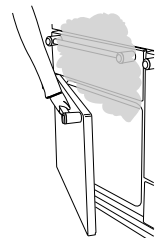
**⚠ Les parties accessibles de la cuisinière deviennent chaudes lorsque celle-ci est en marche et resteront chaudes même après la cuisson. Pour prévenir les risques de brûlures, ne laissez pas les bébés ni les enfants s'approcher de la cuisinière et ne portez jamais de vêtements amples ou flottants lors de l'utilisation de la cuisinière.**

**⚠ Vérifiez toujours que les commandes sont sur la position Arrêt [OFF] lorsque le four n'est pas en marche et avant de nettoyer la cuisinière.**

**⚠ Prenez garde lorsque vous touchez les foyers de la table de cuisson.**

**⚠ Lorsque le four est en marche, ne laissez PAS la porte du four ouverte plus longtemps que nécessaire, afin de prévenir une surchauffe des boutons de commande.**

La cuisson d'aliments à haute teneur en eau peut produire une « bouffée de vapeur » à l'ouverture de la porte du four. Lorsque vous ouvrez la porte du four, reculez-vous et attendez que la vapeur se soit dissipée.



Veillez à ce que les produits combustibles, (rideaux, liquides inflammables, etc.) soient toujours suffisamment éloignés de la cuisinière.

**⚠ N'UTILISEZ PAS de produits nettoyants décapants et abrasifs ni de racloirs métalliques acérés pour nettoyer la surface en verre de la porte du four, afin de prévenir tout risque de rayures et de fissures du verre.**



- ⚠ **N'utilisez PAS d'aérosols à proximité de la cuisinière lorsque celle-ci est en marche.**
- ⚠ **Au besoin, utilisez des gants isolants secs – l'emploi de gants humides risque de causer des brûlures dues à la vapeur lors du contact avec une surface chaude. N'utilisez pas de torchon ou autre chiffon épais à la place d'un gant isolant – ils risquent de s'enflammer au contact d'une surface chaude.**
- ⚠ **Ne faites JAMAIS fonctionner la cuisinière avec les mains mouillées.**
- ⚠ **Ne recouvrez PAS les grilles, les panneaux internes ou la voûte du four de papier aluminium.**
- ⚠ **Ne chauffez JAMAIS de récipients alimentaires qui n'ont pas été ouverts. La pression accumulée à l'intérieur du récipient peut le faire éclater et blesser l'utilisateur.**
- ⚠ **N'utilisez PAS de casseroles instables. Tournez toujours les manches des récipients de cuisson vers l'intérieur de la table de cuisson.**
- ⚠ **Utilisez des récipients de cuisson à fond plat et adaptés à la taille du foyer utilisé. L'utilisation de récipients trop petits exposera une partie du foyer et peut être à l'origine de brûlures.**

Ne laissez jamais la table de cuisson en marche sans surveillance si les foyers sont réglés sur haute température. Le débordement des récipients peut produire de la fumée et des taches de gras qui risquent de s'enflammer. Si possible, utilisez un thermomètre à bain de friture pour prévenir une surchauffe de l'huile au-delà du point de fumée.

- ⚠ **Ne laissez JAMAIS une friteuse sans surveillance. Faites toujours chauffer l'huile lentement, en la surveillant. Les friteuses ne doivent être remplies qu'à un tiers de leur capacité. Une friteuse trop pleine peut déborder lorsqu'on y plonge des aliments. Si vous utilisez un mélange d'huile et de graisse pour la friture, mélangez-les avant de chauffer, ou pendant la fonte des graisses.**

Les aliments à frire doivent être les plus secs possibles. La présence de cristaux de glace sur des aliments congelés ou d'humidité sur des aliments frais peut provoquer une ébullition et un débordement de l'huile. Surveillez attentivement pour prévenir les débordements et la surchauffe pendant la friture à haute ou moyenne température. N'essayez jamais de déplacer un récipient de cuisson contenant de l'huile chaude, en particulier une friteuse. Attendez que l'huile ait refroidi.

Lorsque le gril est en marche, ne vous servez pas de la grille d'évacuation (la grille le long de la partie arrière de la cuisinière) pour réchauffer des assiettes ou des plats, sécher des torchons ou ramollir du beurre.

- ⚠ **N'utilisez PAS d'eau pour éteindre les incendies dus à la graisse et ne soulevez jamais un récipient de cuisson qui a pris feu. Eteignez la cuisinière et étouffez un récipient qui a pris feu sur une table de cuisson en le recouvrant complètement avec un couvercle de taille appropriée ou une plaque de cuisson. Si possible, utilisez un extincteur à poudre chimique ou à mousse de type polyvalent.**
- ⚠ **Cet appareil est lourd; prenez garde lorsque vous le déplacez.**

## Conseils relatifs à la table de cuisson

- ⚠ **Ne découpez PAS d'aliments sur la table de cuisson.**  
Ne laissez pas d'ustensiles, aliments ou produits combustibles sur la table de cuisson lorsqu'elle n'est pas en service (torchon, ou poêle contenant de l'huile, par exemple).
  - ⚠ **Ne placez PAS de feuilles en plastique ou en aluminium ou de récipients en plastique sur la table de cuisson.**
  - ⚠ **Ne laissez PAS les foyers allumés en dehors des temps de cuisson.**
  - ⚠ **N'autorisez JAMAIS qui que ce soit à grimper ou se tenir debout sur la table de cuisson.**
- Ne déposez pas d'objets lourds sur la table de cuisson. Même si la surface en vitrocéramique est très résistante, un impact violent ou la chute accidentelle d'un objet (une salière, par exemple) sur la surface risque de la fissurer.
- ⚠ **Dès l'apparition d'une fissure sur la table de cuisson, mettez immédiatement la cuisinière hors tension et faites-la réparer.**

SOULEVEZ toujours les récipients pour les retirer de la surface de cuisson. Ne les faites pas glisser sur la surface, car vous risquez de la marquer et de la rayer. Mettez toujours le bouton de commande sur la position arrêt [Off] avant de retirer un récipient.

Ne placez **RIEN** entre le fond du récipient de cuisson et la surface de cuisson (plaque d'amiante, feuille de papier aluminium ou support de Wok, par exemple).

Veillez à prévenir toute infiltration d'eau dans la cuisinière.

Seuls certains types de récipients en acier inoxydable, acier émaillé ou fonte à fond émaillé peuvent être utilisés sur la table de cuisson à induction.

Nettoyez la surface après chaque utilisation pour prévenir les rayures et les taches. *Mais veillez à nettoyer avec précaution car certains produits nettoyants peuvent produire des vapeurs nocives au contact d'une surface chaude.*

**N'utilisez PAS de produits nettoyants ou tampons de nettoyage abrasifs, aérosols, tampons de nettoyage pour four ou détachants sur la table de cuisson.**

Évitez d'essuyer toute partie de la table de cuisson tant que celle-ci n'a pas refroidi et que l'indicateur de chaleur résiduelle n'est pas éteint. Cette recommandation ne s'applique pas aux déversements de substances sucrées (voir « *Nettoyage de la cuisinière* »). Après nettoyage, utilisez un chiffon sec ou du papier essuie-tout pour éliminer les traces de nettoyant semi-liquide.

## Nettoyage

Pour des raisons d'hygiène et de sécurité, la cuisinière doit toujours être propre, afin de prévenir le risque d'incendie causé par l'accumulation de graisse et autres particules alimentaires.

Nettoyez uniquement les composants indiqués dans les présentes instructions.

Nettoyez avec précaution. Si vous utilisez une éponge ou un chiffon humide pour essuyer des taches sur une surface chaude, prenez garde au risque de brûlures par la vapeur. Certains produits nettoyants peuvent produire des vapeurs nocives au contact d'une surface chaude.

## 2. Vue d'ensemble de la Cuisinière

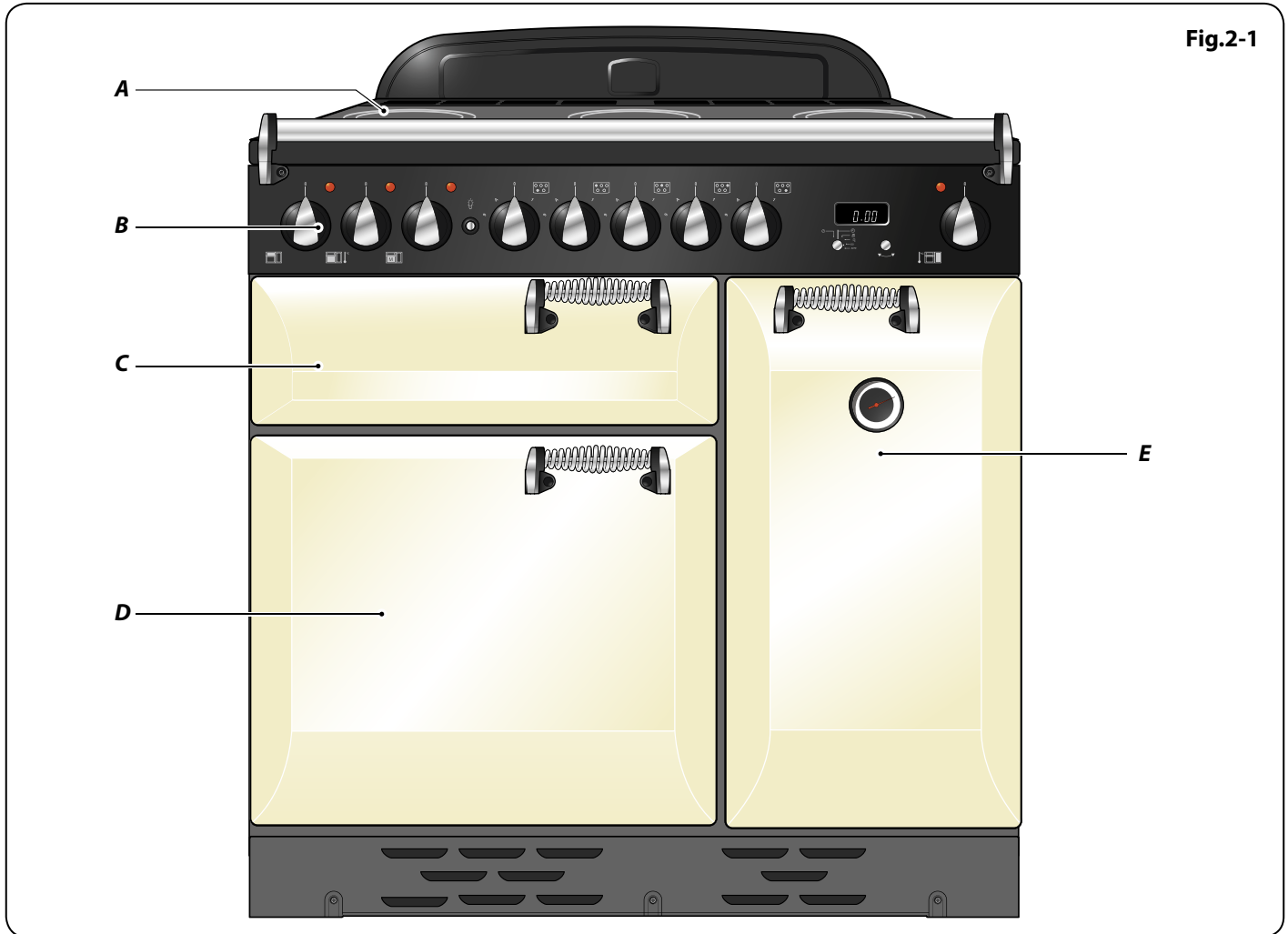


Fig.2-1

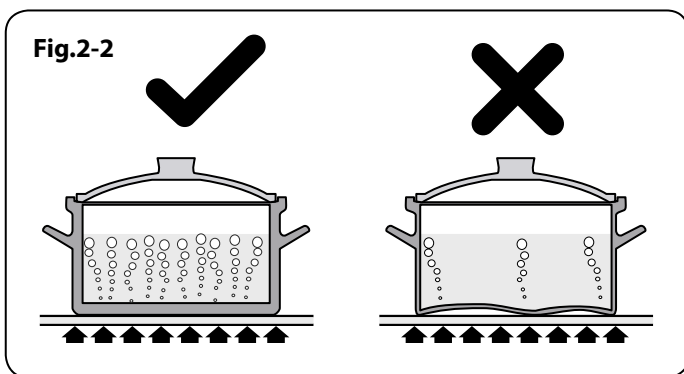


Fig.2-2

La cuisinière à induction 90 (Fig.2-1) comprend :

- A. Cinq foyers de cuisson à induction
- B. Un panneau de commande
- C. Un gril coulissant « Glide-out »
- D. Un four ventilé principal
- E. Un four ventilé haut

### Table de cuisson

Utilisez uniquement des récipients de cuisson conçus pour les tables de cuisson à induction. Nous recommandons l'emploi de récipients de cuisson en acier inoxydable, en acier émaillé ou en fonte à fond émaillé. Certains récipients en acier inoxydable ne conviennent pas pour les tables de cuisson à induction; vérifiez soigneusement avant l'achat.

N'utilisez pas de récipients en cuivre, aluminium ou céramique sur les tables de cuisson à induction. *Le type de récipient de cuisson utilisé et la quantité d'aliments ont une incidence sur le réglage requis. Pour les quantités d'aliments importantes, utilisez un réglage plus élevé.*

Utilisez des casseroles à fond épais, lisse et plat (Fig.2-2). Ceci permet un transfert de chaleur optimal entre la table de cuisson et le récipient, et donc une cuisson plus rapide et plus économique. N'utilisez jamais de Wok à fond rond, même avec un support.

Les récipients de cuisson les mieux adaptés sont ceux qui, à l'état froid, sont très légèrement bombés vers l'intérieur (Fig.2-3). En plaçant une règle sur le fond de ces récipients, on peut constater que la surface est légèrement incurvée vers le milieu. Sous l'effet de la chaleur, le métal se dilate et la totalité du fond du récipient de cuisson est en contact avec la surface de cuisson.

Veillez à ce que le fond du récipient de cuisson soit propre et sec pour éviter que des résidus d'aliments ne brûlent et n'attachent sur la table de cuisson. Ceci permet également de prévenir les rayures et les dépôts.

Utilisez toujours des récipients de même taille (ou légèrement plus grands) que le diamètre indiqué sur la surface de cuisson. Utilisez un couvercle sur les récipients de cuisson pour porter à ébullition plus rapidement.

**⚠ Faites toujours attention avant de toucher la table de cuisson, car, même éteinte, celle-ci peut être encore chaude !**

La table de cuisson à induction comprend cinq foyers contenant des éléments à induction de puissances et diamètres différents (Fig.2-4), chacun doté d'un détecteur de récipient et d'un indicateur de chaleur résiduelle, et un affichage des commandes.

L'affichage des commandes de la table de cuisson (Fig.2-5) vous informe sur les fonctions de la table, à l'aide des symboles suivants:

- ☒ Détection de récipient de cuisson
- H Indicateur de chaleur résiduelle
- A Chauffage automatique
- L Verrouillage sécurité enfants

### Détection de récipient de cuisson, ☒

**IMPORTANT : Après usage, éteignez le foyer à l'aide du bouton de commande – NE VOUS FIEZ PAS UNIQUEMENT à la fonction Détection de récipient de cuisson.**

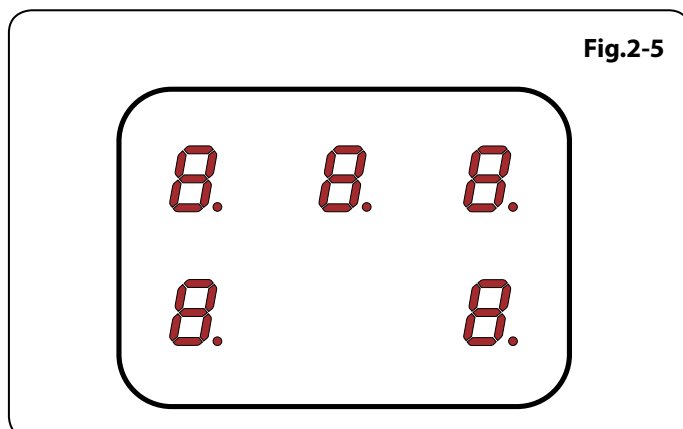
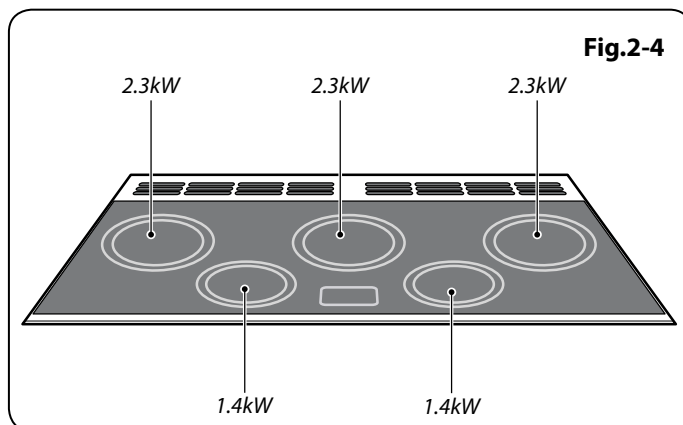
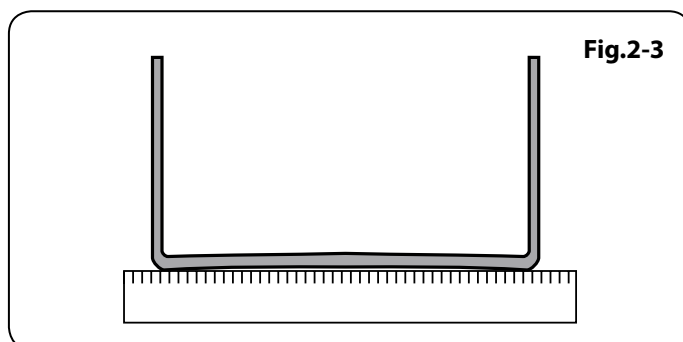
Si un foyer est en marche et qu'il n'y a pas de récipient de cuisson sur celui-ci ou si le récipient est trop petit pour le foyer, la table n'émettra pas de chaleur. Le symbole ☒ apparaîtra sur l'affichage des commandes de la table; il s'agit du « symbole Absence de récipient ». Placez un récipient de taille appropriée sur le foyer, le symbole ☒ disparaîtra et la cuisson pourra commencer. Si, après 10 minutes, il n'y a toujours pas de détection de récipient, le foyer s'éteint automatiquement.

Le Tableau 2-1 indique les dimensions de récipients minimales recommandées pour chaque foyer.

**Remarque :** L'utilisation de récipients de diamètres inférieurs aux dimensions recommandées aura pour effet une diminution de la puissance.

### Indicateur de chaleur résiduelle, H

Après usage, un foyer restera chaud pendant un certain temps, jusqu'à dissipation totale de la chaleur. Après arrêt d'un foyer, le symbole de l'indicateur de chaleur résiduelle [H] apparaîtra sur l'affichage de la table de cuisson. Ceci indique que la température du foyer est supérieure à 60°C et qu'il y a encore un risque de brûlure. Le symbole [H] s'éteint lorsque la température est inférieure à 60°C.

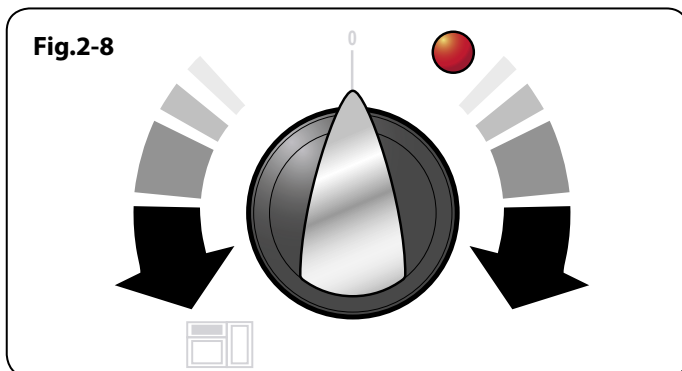
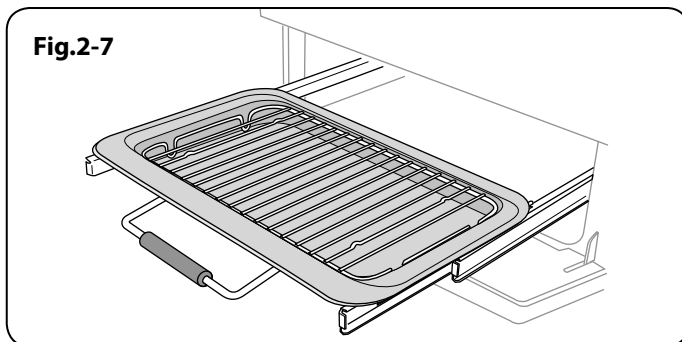
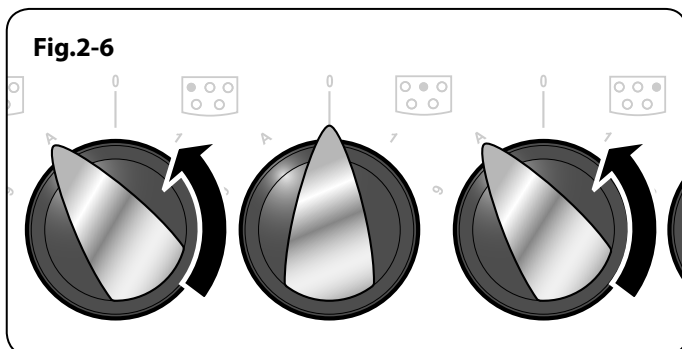


| Cuisson de la zone | Diamètre minimum de casserole (fond de casserole) mm |
|--------------------|--|
| Gauche avant       | 140  |
| Gauche arrière     | 180  |
| Centre             | 180  |
| Droite arrière     | 180  |
| Droite avant       | 140  |

Tableau 2-1

| Niveau de puissance | Automatique réchauffez le temps à 100% (min:secs) |
|---------------------|---|
| 1                   | 0:48  |
| 2                   | 2:24  |
| 3                   | 3:48  |
| 4                   | 5:12  |
| 5                   | 6:48  |
| 6                   | 2:00  |
| 7                   | 2:48  |
| 8                   | 3:36  |
| 9                   | 0:10  |

Tableau 2-2



## Chauffage automatique, *R*

Cette fonction est disponible pour tous les foyers de la table de cuisson. Elle permet un chauffage rapide de l'élément du foyer jusqu'à la température de cuisson requise. Lorsque le foyer a atteint la température requise, la puissance diminue automatiquement jusqu'au niveau de puissance sélectionné.

Pour sélectionner cette fonction, tournez le bouton de commande momentanément en sens antihoraire jusqu'à l'affichage du symbole [*R*] sur l'affichage des commandes de la table de cuisson. Tournez ensuite le bouton de commande pour le mettre sur le niveau de puissance requis (1 à 9). Le récipient est chauffé à 100% pendant une durée spécifiée, puis au niveau de puissance sélectionné.

Après activation de la fonction Chauffage automatique, l'affichage des commandes de la table de cuisson clignotera, alternant entre le réglage [*R*] et le niveau de puissance sélectionné.

A la fin du chauffage automatique, l'affichage cessera de clignoter et affichera seulement le niveau de puissance sélectionné.

La fonction Chauffage automatique peut être désactivée de deux façons : par rotation du bouton de commande pour le remettre sur le réglage de puissance « 0 » ou par rotation du bouton de commande pour le mettre sur le réglage de puissance « 9 ».

A titre indicatif, le **Tableau 2-2** indique la durée disponible à 100% de puissance, en fonction du niveau de puissance sélectionné en mode Chauffage automatique.

## Verrouillage sécurité enfants, *L*

La table de cuisson peut être verrouillée pour empêcher son utilisation accidentelle par des enfants.

**IMPORTANT : Cette fonction ne peut être activée que lorsque tous les foyers sont éteints.**

Pour verrouiller la table de cuisson, activez puis désactivez une des commandes de la table pour mettre en marche l'affichage de la table, puis tournez simultanément les deux commandes à induction arrière externes en sens antihoraire (**Fig.2-6**) jusqu'à l'affichage du symbole [*L*] sur l'affichage des commandes de la table de cuisson pour tous les foyers.

Ceci sera SANS effet sur le fonctionnement des fours ou du gril.

Pour déverrouiller la table de cuisson, tournez simultanément les deux commandes à induction arrière externes en sens antihoraire jusqu'à la disparition du symbole [*L*].

## Protection de récipient de cuisson

Cette fonction détecte l'augmentation rapide de la température du récipient de cuisson et maintient cette température à un niveau sûr. Elle ne gêne pas la cuisson normale.

**⚠ Veillez à ne pas laisser la table de cuisson en marche sans surveillance. Veillez à ne pas laisser les récipients de cuisson fonctionner à sec après ébullition.**

## Gril Coulissant "Glide-out"

Ouvrez la porte du gril et tirez le support de la lèchefrite vers vous à l'aide de la poignée (Fig.2-7).

Le gril a deux éléments qui permettent de chauffer la totalité de la lèchefrite ou seulement la partie droite de celle-ci.

Tournez le bouton de commande pour régler la chaleur du gril. Pour un chauffage total, tournez le bouton en sens horaire (Fig.2-8).

Pour le chauffage de la partie droite, tournez le bouton en sens antihoraire. Le voyant à côté de la commande du gril s'allumera.

Pour obtenir les meilleurs résultats possibles, préchauffez le gril pendant 2 minutes avec le support du gril en place. Vous pouvez retirer la lèchefrite et y déposer les aliments pendant le préchauffage.

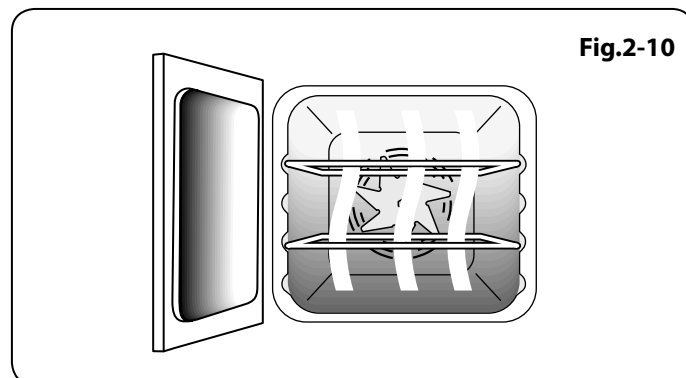
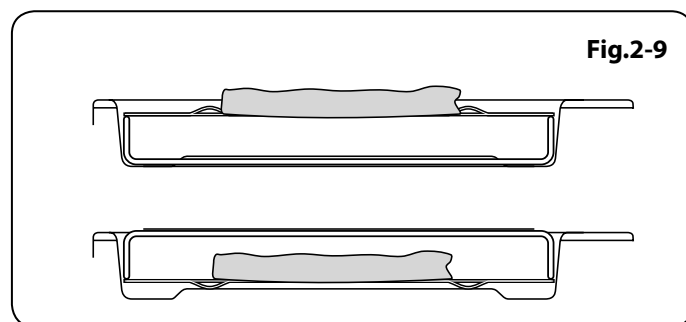
Après préchauffage, retirez le support du gril de l'enceinte du gril. Remplacez la lèchefrite et réinsérez le support du gril dans l'enceinte du gril. Vérifiez qu'il est bien inséré.

**⚠ Des composants accessibles risquent de devenir chauds pendant l'utilisation du gril. Eloignez les enfants de la cuisinière.**

La grille de la lèchefrite est réversible pour permettre deux positions de gril (Fig.2-9).

Ne laissez jamais le gril en marche pendant plus de quelques instants si la lèchefrite n'est pas en place sous le gril.

**⚠ Ne fermez jamais la porte du gril lorsque celui-ci est en marche.**



## Fours

**L'horloge doit être réglée sur l'heure pour que le four droit puisse fonctionner. Voir les instructions de la section « Horloge » pour le réglage de l'heure.**

*Remarque – Les références au four gauche et droit s'entendent vu de l'avant.*

Le four gauche est un four multifonctions programmable, alors que le four droit est un four ventilé.

### Four gauche

Le four gauche (Fig.2-10) est un four multifonctions. Outre le ventilateur de four et l'élément du ventilateur, le four est doté de deux éléments chauffants supplémentaires, l'un visible dans la voûte, et l'autre sous la sole. Veillez à ne pas toucher l'élément supérieur et le déflecteur de l'élément lors de l'insertion ou du retrait des plats dans le four.

Le four multifonctions permet de nombreuses utilisations variées. Nous vous conseillons de bien surveiller la cuisson jusqu'à ce que vous soyez familiarisé avec chaque fonction (Fig.2-11). N'oubliez pas : toutes les fonctions ne conviennent pas à tous les types d'aliments.

### Fonctions du four multifonctions

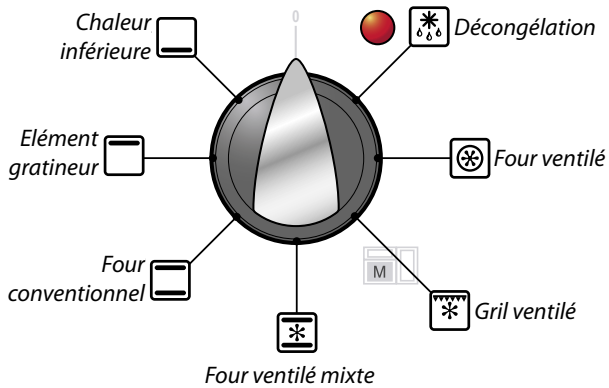
#### Décongélation



Avec cette fonction, le ventilateur du four brasse uniquement de l'air froid. Il n'y a pas de chaleur.

Cette fonction permet de décongeler des aliments, en petites quantités, par exemple des desserts, gâteaux à la crème, morceaux de viande, poisson et volaille.

Fig.2-11



Ce type de décongélation accélère le processus de décongélation et protège les aliments des mouches. Placez les morceaux de viande, poisson et volaille sur une grille, au-dessus d'une plaque prévue pour l'égouttement. N'oubliez pas de nettoyer la grille et la plaque après décongélation.

La porte du four doit être fermée pendant la décongélation.

Des aliments plus volumineux, tels que des poulets entiers et des rôtis, ne doivent pas être décongelés de cette façon. Nous vous conseillons de les décongeler au réfrigérateur.

Ne décongelez pas des aliments dans un four tiède ou à côté d'un four en marche ou encore chaud.

Vérifiez que les aliments à base de produits laitiers, la viande et la volaille sont complètement décongelés avant de les cuire.

### Four ventilé



Cette fonction commande le ventilateur et l'élément chauffant autour de celui-ci. Une chaleur uniforme est produite partout dans le four, ce qui permet la cuisson rapide de grandes quantités d'aliments.

La cuisson par four ventilé est particulièrement utile pour la cuisson simultanée d'aliments sur plusieurs grilles et est une excellente fonction « polyvalente ». Vous devrez peut-être diminuer la température de 10°C environ pour des plats que vous aviez l'habitude de cuire dans un four conventionnel.

Si vous souhaitez préchauffer le four, attendez que le voyant s'éteigne avant de mettre le plat au four.

### Gril ventilé



Cette fonction commande le ventilateur pendant que l'élément chauffant supérieur est en marche.

On obtient ainsi une chaleur plus uniforme, moins intense que celle d'un gril conventionnel. Pour obtenir les meilleurs résultats possibles, placez les aliments à griller sur une grille sur un plat à rôtir qui doit être plus petit qu'une lèchefrite de gril conventionnel. Ceci assure une meilleure circulation de l'air. Ce type de cuisson est idéal pour les morceaux de viande ou de poisson épais, car la circulation de l'air diminue l'intensité de la chaleur du gril. La porte du four doit être fermée pendant la cuisson au gril pour éviter un gaspillage d'énergie. Vous constaterez que vous devrez moins surveiller et tourner les aliments cuits de cette façon. Ce type de cuisson nécessite un préchauffage du four.


### Four ventilé mixte




Cette fonction commande le ventilateur et brasse l'air chauffé par les éléments chauffants de la voûte et de la sole du four. Cette fonction, qui combine la cuisson ventilée et la cuisson conventionnelle (chaleur supérieure et inférieure), est un moyen de cuisson idéal pour les aliments volumineux (gros rôti, par exemple) pour lesquels une cuisson complète est très importante. On peut également faire cuire des plats simultanément sur deux grilles, mais les plats devront être intervertis pendant la cuisson, car, avec cette fonction, la chaleur est plus intense dans la voûte du four qu'au niveau de la sole.

Ce mode de cuisson est intensif et rapide; surveillez les aliments cuits de la sorte jusqu'à ce que vous soyez familiarisé avec cette fonction.


**Four conventionnel (chaleur de voûte et de sole)**

 Cette fonction combine la chaleur fournie par les éléments supérieurs et inférieurs. Elle est particulièrement utile pour la cuisson d'aliments rôtis et des pâtes à tartes, gâteaux et biscuits. Les aliments cuits sur la grille supérieure gratineront et doront plus rapidement que ceux placés sur la grille inférieure car la chaleur est plus intense dans la voûte du four qu'au niveau de la sole, comme dans le cas de la fonction « Four ventilé mixte ». Des aliments semblables cuits de la sorte devront être intervertis pour cuire uniformément. Cette fonction permet donc de cuire des aliments nécessitant des températures de cuisson différentes, en utilisant la partie moins chaude dans la partie inférieure du four et la partie plus chaude dans la partie supérieure du four.

**Elément gratineur**

 Cette fonction utilise uniquement l'élément situé dans la voûte du four. C'est une fonction utile pour gratiner ou finir des gratins de pâtes, des légumes en sauce et des lasagnes, le plat à gratiner étant déjà chaud avant la mise en marche de l'élément supérieur.

**Chaleur inférieure**

 Cette fonction utilise uniquement l'élément inférieur. Elle permettra de dorer le fond de votre pizza ou de votre quiche ou de terminer la cuisson d'un fond de tarte sur une grille inférieure. C'est également une chaleur douce, parfaite pour le mijotage de plats placés au milieu du four ou pour réchauffer des assiettes.

Les fonctions Elément gratineur et Chaleur inférieure sont des adjonctions utiles à votre four et vous permettent de finir vos plats à la perfection. Vous constaterez rapidement que leur utilisation contribue à étendre vos compétences culinaires.

**Four droit**

Le ventilateur dans le four droit brasse l'air chaud continuellement, assurant ainsi une cuisson plus rapide et plus uniforme.

**N'oubliez pas :** toutes les cuisinières sont différentes – les températures de vos nouveaux fours peuvent être différentes de celles de votre ancienne cuisinière.

**Fonctionnement des fours**

**Fonctionnement des four droit**

Le four multifonctions est doté de deux commandes, un sélecteur de fonction et un bouton de réglage de température (**Fig.2-13**).

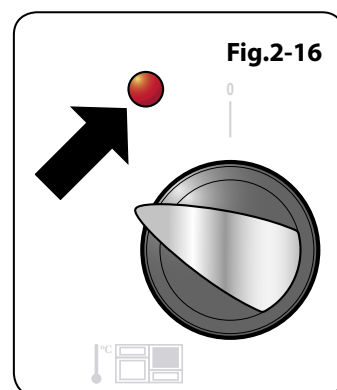
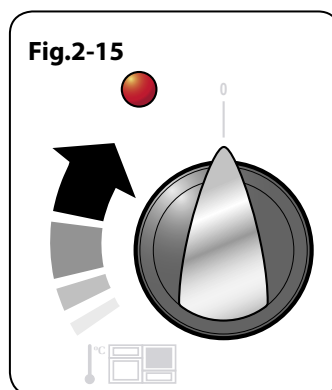
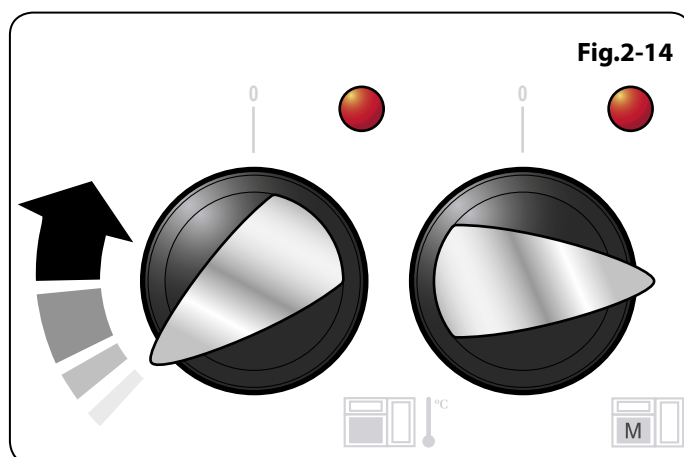
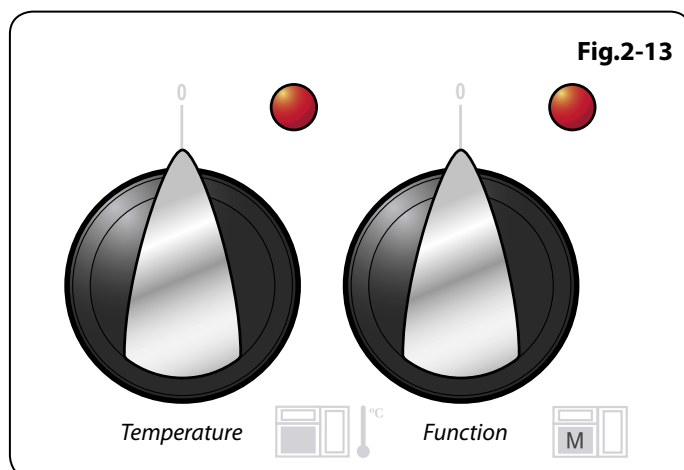
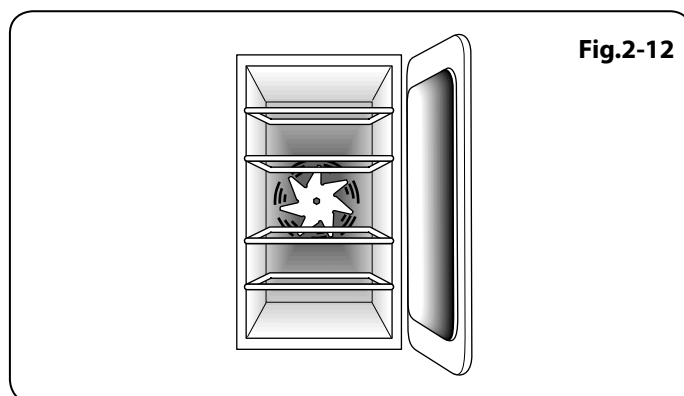
Tournez le sélecteur de fonction pour le mettre sur une fonction de cuisson. Mettez le bouton de réglage de température du four sur la température requise (**Fig.2-14**).

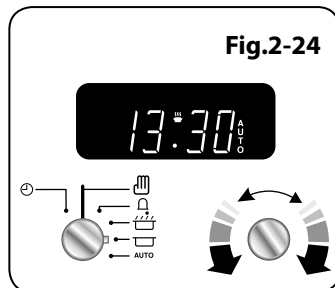
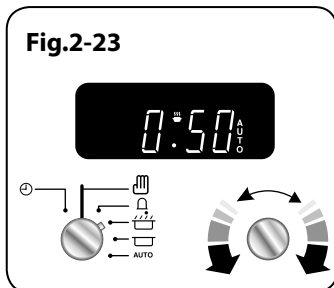
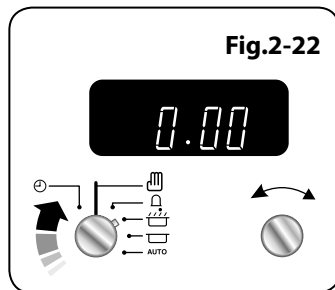
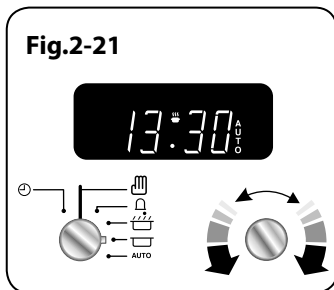
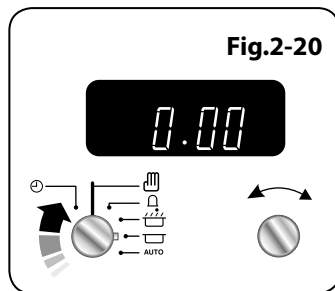
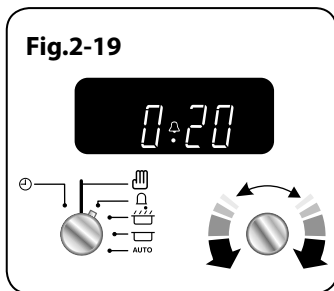
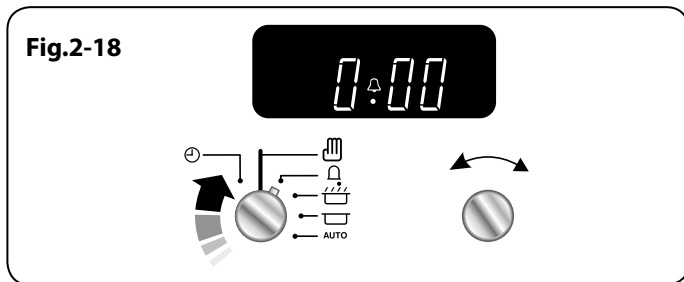
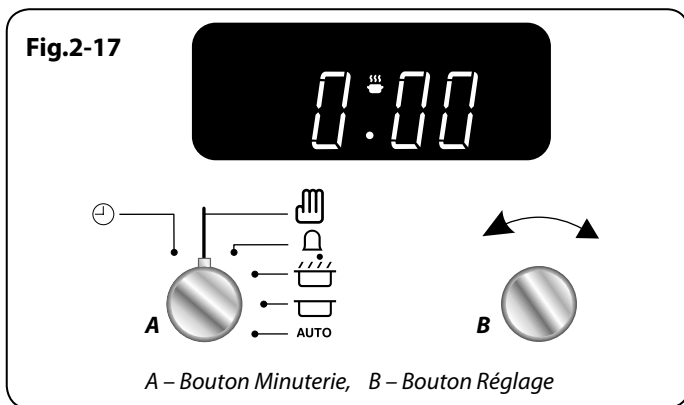
Le voyant du four s'allumera jusqu'à ce que le four atteigne la température requise. Il s'allumera et s'éteindra pendant la cuisson.

**Fonctionnement des four gauche**

Mettez le bouton de réglage de température du four sur la température requise (**Fig.2-15**).

Le voyant du four sera allumé jusqu'à ce que le four atteigne la température requise. Il s'allumera et s'éteindra pendant la cuisson (**Fig.2-16**).





Pendant la cuisson d'aliments à haute teneur en eau, un peu de vapeur peut être visible à la grille à l'arrière du chauffe-plats. Ceci est tout à fait normal.

## Horloge

### Réglage de l'heure

L'horloge est montrée dedans (**Fig.2-17**). Après raccordement initial de l'horloge, l'affichage clignotera pour indiquer ( 0.00 ) et ( ☹ ) alternativement.

Pour régler l'horloge sur l'heure actuelle, tournez et appuyez sans relâcher sur le bouton Minuterie pour le mettre sur le symbole horloge (☹), tout en tournant le bouton Réglage vers la gauche ou vers la droite jusqu'à l'affichage de l'heure correcte. N'oubliez pas que c'est une horloge 24 heures. Relâchez le bouton Minuterie; il reviendra à la position verticale de réglage manuel de four.

### Minuterie

Tournez le bouton Minuterie vers la droite jusqu'à la position minuterie (☹) – vous devriez entendre un déclic lorsqu'il est à la position correcte (**Fig.2-18**).

Utilisez le bouton Réglage pour régler le temps de cuisson comme indiqué ci-dessous (**Fig.2-19**).

Vous pouvez remettre le bouton sur la position verticale de réglage manuel (☹) pour pouvoir voir l'heure ou le laisser sur la position minuterie (☹) pendant toute la durée de la cuisson.

Tournez le bouton Réglage en sens antihoraire pour arrêter le signal sonore.

### Arrêt automatique du four gauche

Tournez le bouton Minuterie pour le mettre sur la position (☹), (**Fig.2-20**).

Réglez l'heure d'arrêt du four à l'aide du bouton Réglage. Vous pouvez régler le four pour qu'il s'arrête à n'importe quel moment dans les 24 heures qui suivent. AUTO sera affiché (**Fig.2-21**).

Tournez le bouton Minuterie pour le mettre sur la position « AUTO ». Le signal sonore indiquera la fin de la cuisson à l'heure prévue. Tournez le bouton Minuterie pour le mettre sur la position verticale (☹) pour revenir au fonctionnement manuel.

### Mise en marche et arrêt du four gauche avec minuterie

Avant de régler la minuterie, choisissez le « temps de cuisson », c'est-à-dire la durée pendant laquelle vous voulez que le four fonctionne, et « l'heure d'arrêt », c'est-à-dire l'heure à laquelle vous voulez que le four s'arrête.

**Vous ne pouvez pas régler directement une heure de mise en marche – celle-ci est réglée automatiquement lors de la sélection du temps de cuisson et de l'heure d'arrêt.**

Tournez le bouton Minuterie pour le mettre sur la position (☹), (**Fig.2-22**). Utilisez le bouton Réglage pour régler le « temps de cuisson » comme indiqué ci-dessous (**Fig.2-23**).

Tournez le bouton Minuterie pour le mettre sur la position (☹). L'affichage indiquera l'heure et le « temps de cuisson » que vous venez de régler. Utilisez le bouton Réglage pour régler « l'heure d'arrêt » comme indiqué ci-dessous (**Fig.2-24**).



« L'heure d'arrêt » et « AUTO » seront affichés. Réglez le four à la température requise. Tournez le bouton Minuterie pour le mettre sur la position « Auto ».

Le signal sonore indiquera la fin de la cuisson. Tournez le bouton Minuterie pour le mettre sur la position verticale (⏸) pour revenir au fonctionnement manuel.

Si vous êtes absent pendant la cuisson, ne vous inquiétez pas au sujet de l'arrêt du signal sonore, celui-ci s'arrêtera après un certain temps. A votre retour, tournez le bouton Minuterie pour le mettre sur la position verticale (⏸) pour revenir au fonctionnement manuel.

### AUTO est affiché, et vous voulez remettre le four sur fonctionnement manuel

Pour annuler tout réglage automatique tournez brièvement le bouton Minuterie pour le mettre sur le symbole horloge (⌚) puis relâchez-le.

### Fonction de verrouillage

Après activation de la fonction de verrouillage, le four droit peut fonctionner normalement, mais le four gauche est verrouillé et ne s'allumera pas.

#### Activation de la fonction de verrouillage

Vérifiez que l'horloge est sur le mode manuel et annulez tout programme en cours.

Tournez et appuyez sans relâcher sur le bouton Minuterie pour le mettre sur le symbole horloge (⌚) pendant environ 8 secondes. « On » ([Marche]) sera affiché (Fig.2-25).

Tout en maintenant le bouton Minuterie sur le symbole horloge (⌚), tournez le bouton Réglage en sens horaire jusqu'à l'affichage du symbole clé (🔑) et de « OF » ([Arrêt]) (Fig.2-26). Relâchez les boutons.

Le four gauche est à présent verrouillé, comme indiqué par l'affichage de l'heure et du symbole clé (Fig.2-27).

#### Désactivation de la fonction de verrouillage

Tournez et appuyez sans relâcher sur le bouton Minuterie pour le mettre sur le symbole horloge (⌚) pendant environ 8 secondes. « OF » ([Arrêt]) sera affiché (Fig.2-28).

Tout en maintenant le bouton Minuterie sur le symbole horloge (⌚), tournez le bouton Réglage en sens horaire jusqu'à ce que le symbole clé (🔑) soit remplacé par l'affichage de « On » ([Marche]) (Fig.2-29). Relâchez les boutons.

Après quelques secondes, l'heure est de nouveau affichée.

Le four gauche peut être à présent utilisé normalement.

## Accessories

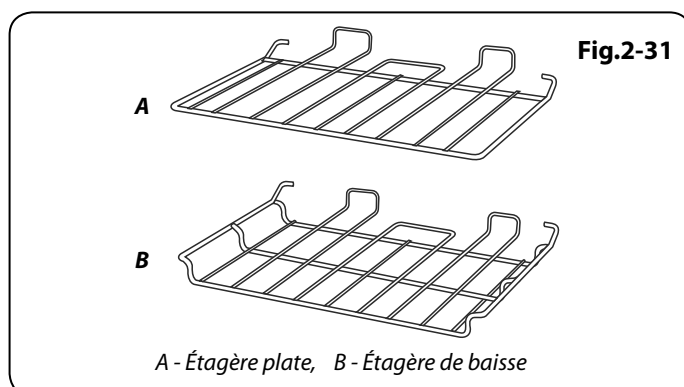
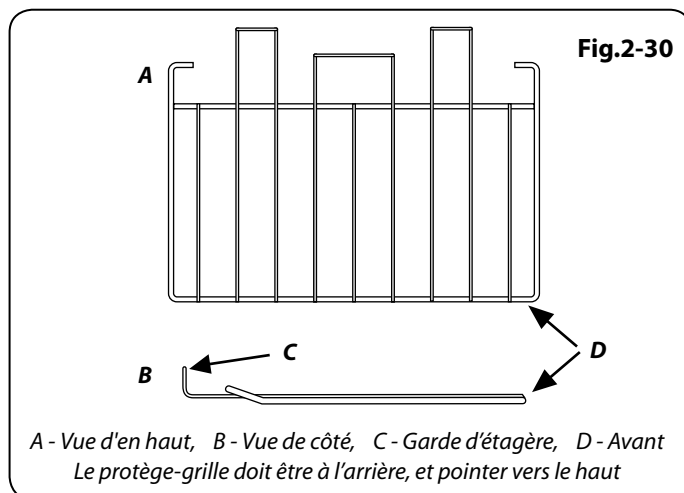
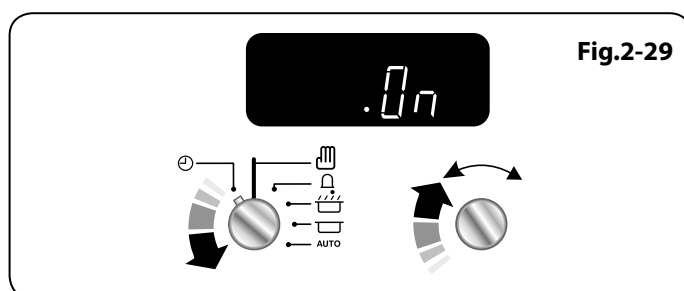
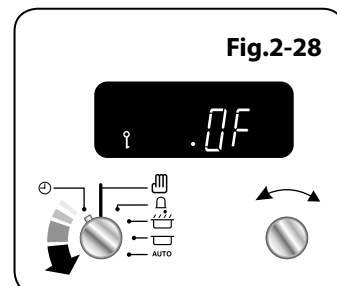
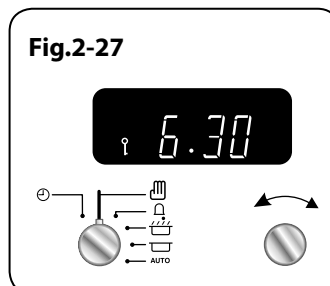
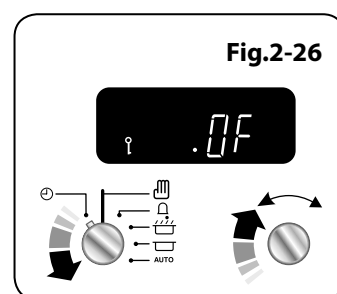
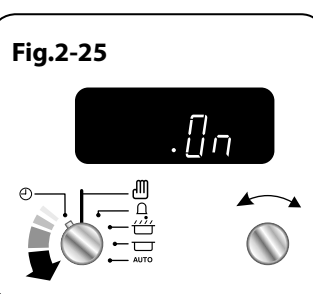
### Grilles de four – Four gauche (four principal)

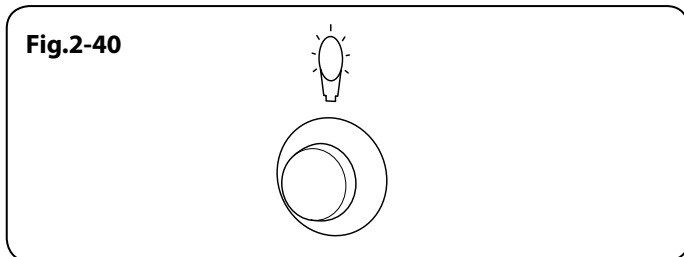
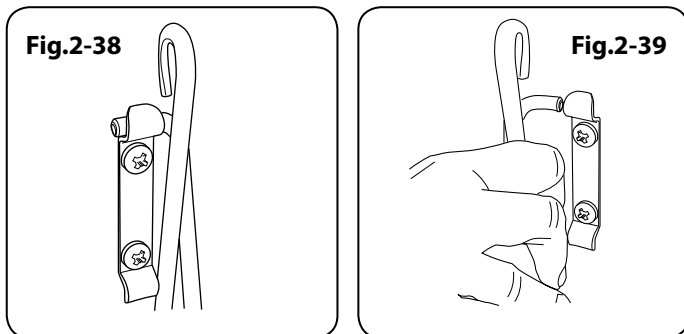
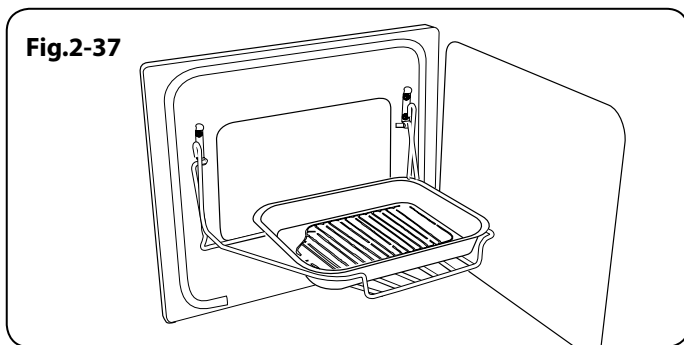
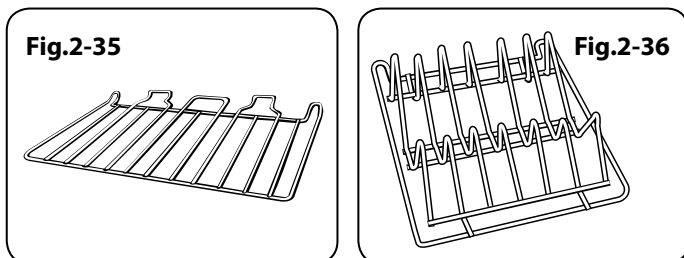
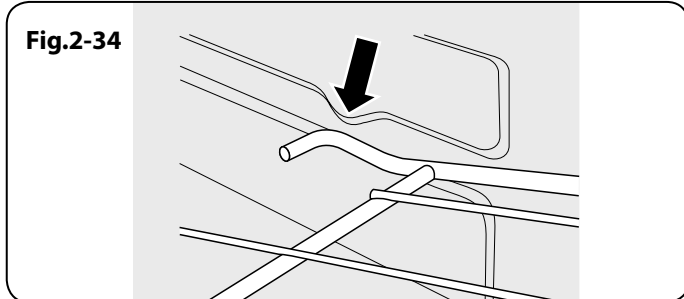
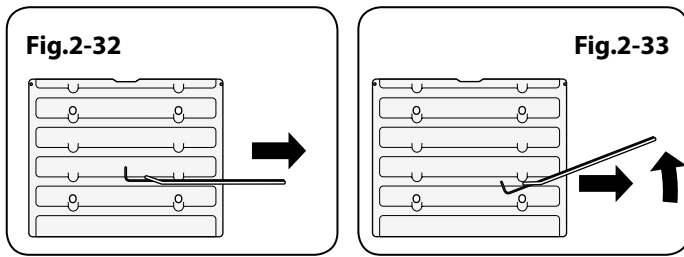
Outre la grille plate (Fig.2-30), la cuisinière est fournie avec une grille surbaissée (Fig.2-31), qui augmente les possibilités d'espacement entre les grilles de four.

Les grilles de four s'insèrent et s'extrait facilement.

Tirez la grille vers l'avant jusqu'à ce que l'arrière de la grille soit arrêté par les butées d'arrêt latérales du four (Fig.2-32).

Soulevez l'avant de la grille pour faire passer l'arrière de la grille sous la butée d'arrêt, puis tirez la grille vers l'avant (Fig.2-33).





Pour remettre la grille en place, mettez la grille à niveau avec une glissière latérale du four, puis insérez la grille à fond jusqu'à ce que les extrémités soient en contact avec la butée d'arrêt de la grille. Soulevez l'avant de la grille pour que les extrémités puissent dépasser les butées, puis abaissez l'avant pour mettre la grille à l'horizontale, avant de l'insérer à fond (Fig.2-34).

## Grilles de four – Four droit (four haut)

Le four haut est doté de quatre grilles plates (Fig.2-35), et une grille chauffe-plat (Fig.2-36).

Lors de l'utilisation du four haut, vous pouvez faire cuire des aliments sur les quatre grilles simultanément, mais veillez à ce que les plats soient bien écartés les uns des autres pour permettre à l'air chaud de circuler.

## Handyrack

Le Handyrack (Fig.2-37) se monte uniquement sur la porte du four principal gauche. Il est facile de surveiller les aliments cuisant ainsi car vous pouvez y accéder lorsque la porte est ouverte.

Le Handyrack peut supporter un poids maximum de 5,5 kg. Il ne doit être utilisé qu'avec le plat à rôtir fourni, qui est spécialement conçu pour être utilisé avec le Handyrack. Tout autre récipient de cuisson risque d'être instable.

D'autres plats à rôtir sont disponibles dans notre gamme d'ustensiles de cuisine – Référence de pièce RM027.

Vous pouvez le monter sur deux positions. Retirez une des grilles et placez l'autre selon les besoins.

Lorsque le Handyrack est utilisé sur sa position supérieure, d'autres plats peuvent être cuits sur une grille placée à la position inférieure ou placée directement sur la sole du four.

Lorsque le Handyrack est utilisé sur sa position inférieure, d'autres plats peuvent être cuits directement sur la sole du four.

Pour monter le Handyrack, placez un côté sur le support de la porte (Fig.2-38).

Extraire l'autre côté pour l'accrocher sur l'autre support (Fig.2-39).

## Eclairage du Four

Appuyez sur le bouton approprié pour allumer l'éclairage du four (Fig.2-40).

Si l'éclairage est défectueux, mettez la cuisinière hors tension avant de changer l'ampoule. Pour des informations détaillées sur la façon de changer une ampoule de four, reportez-vous à la section « Dépannage ».

### 3. Conseils pour la Cuisson

#### Conseils pour la cuisson avec minuterie

Si vous désirez cuire plusieurs plats simultanément, choisissez des plats nécessitant approximativement le même temps de cuisson. Cependant, la cuisson de certains plats peut être légèrement « ralentie » en utilisant des petits plats de cuisson et en les recouvrant d'une feuille de papier aluminium, ou « accélérée » en utilisant de plus petites quantités ou des plats de cuisson plus grands.

- ⚠ Ne placez pas des aliments chauds dans le four qui sera utilisé avec la fonction minuterie.**
- ⚠ N'utilisez pas un four déjà chaud avec la fonction minuterie.**
- ⚠ N'utilisez pas la fonction minuterie avec un four si le four adjacent est déjà chaud.**

Décongelez complètement les volailles entières avant de les mettre au four. Assurez-vous que les viandes et volailles sont bien cuites avant de les servir.

#### Conseils généraux pour la cuisson au four

Veillez à ce que les grilles soient toujours insérées à fond dans le four.

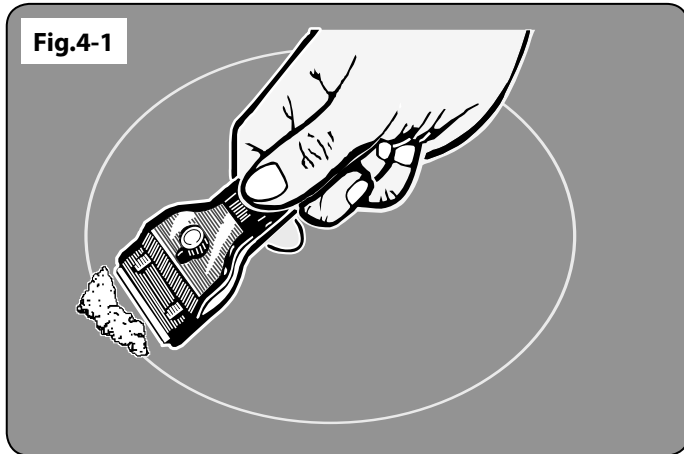
*Placez les plaques de cuisson, plats à rôtir, etc., à niveau, au centre des grilles du four. Eloignez les plaques et les plats de cuisson des bords du four, afin de ne pas trop dorer les aliments.*

Pour dorer un plat uniformément, il est recommandé d'utiliser une plaque de cuisson de dimensions maximales de 340 mm x 340 mm pour le four gauche (four principal) et de 230 mm x 320 mm pour le four droit (four haut).

**Lorsque le four est en marche, NE LAISSEZ PAS la porte du four ouverte plus longtemps que nécessaire, afin de prévenir une surchauffe des boutons de commande.**

- Laissez toujours un « doigt de largeur » entre des plats placés sur une grille de four. Ceci afin de faciliter la circulation de chaleur autour des plats.
- Pour réduire les projections grasses lorsque vous ajoutez des légumes dans la graisse chaude autour d'un rôti, séchez soigneusement les légumes ou enduisez-les d'un peu d'huile à friture.
- Placez les plats susceptibles de bouillir et déborder pendant la cuisson sur une plaque de cuisson.
- Les panneaux internes autonettoyants (voir la section « Nettoyage de la cuisinière ») sont plus efficaces lorsqu'on évite les projections grasses. Couvrez la viande pendant la cuisson.
- Le four produit assez de chaleur pendant la cuisson pour réchauffer des assiettes placées dans l'enceinte du gril.
- Si vous souhaitez dorer un fond de tarte, préchauffez une plaque de cuisson pendant 15 minutes avant de placer le plat au centre de la plaque.

## 4. Nettoyage de la Cuisinière



### Informations importantes

Avant un nettoyage complet, mettez la cuisinière hors tension. Laissez-la ensuite refroidir.

**N'utilisez jamais de solvants pour peinture, de cristaux de soude, de nettoyeurs caustiques, de poudres biologiques, d'eau de Javel, de nettoyeurs chlorés, ni de produits abrasifs à gros grain ou de sel. Ne mélangez pas plusieurs produits nettoyeurs, car ils risquent de réagir entre eux et d'avoir des effets nocifs.**

Toutes les parties de la cuisinière peuvent être lavées à l'eau savonneuse chaude – **mais veillez à prévenir toute infiltration d'eau dans l'appareil.**

N'oubliez pas de remettre sous tension et de régler de nouveau l'horloge avant d'utiliser la cuisinière.

*Nous avons développé une gamme de produits nettoyeurs qui permettent d'obtenir des résultats optimaux sans abîmer les surfaces émaillées et peintes. Des informations complémentaires figurent dans la brochure Collection Ustensiles de cuisine [Cookware Collection] fournie avec votre cuisinière ou sur notre site Internet [www.rangemastercookshop.co.uk](http://www.rangemastercookshop.co.uk).*

**N'oubliez pas de remettre sous tension et de régler de nouveau l'horloge avant d'utiliser la cuisinière.**

### Table de Cuisson

#### Entretien Quotidien

Vérifiez tout d'abord que tous les indicateurs de chaleur résiduelle sont éteints et que la table de cuisson a refroidi. Appliquez une petite quantité de nettoyeur semi-liquide pour surface vitrocéramique au centre de chaque zone à nettoyer. A l'aide de papier essuie-tout propre et humide, étalez le produit nettoyeur sur la surface de cuisson. Pour finir, essuyez la surface avec du papier essuie-tout propre et sec.

#### Nettoyage des Déversements Accidentels

En cas de déversement ou débordement accidentel pendant la cuisson, éteignez la cuisinière et essuyez autour de la zone chaude avec du papier essuie-tout propre. Si les aliments renversés (autres qu'une substance sucrée) se trouvent sur une zone chaude de la table de cuisson, attendez que celle-ci ait entièrement refroidi pour nettoyer et suivez les instructions ci-dessous (« Nettoyage des déversements brûlés »).

En cas de fonte accidentelle d'un objet ou de déversement d'aliments à forte teneur en sucre (confiture, sauce tomate, jus de fruit, etc.), ENLEVEZ IMMEDIATEMENT les aliments déversés à l'aide d'un racloir à lame pendant que la table est encore chaude.

**IMPORTANT: Utilisez un gant isolant pour ne pas vous brûler.**

Raclez le plus gros des aliments déversés ou de toute matière qui aurait fondu sur la zone de cuisson et poussez-les vers une zone froide. Mettez ensuite la cuisinière sur la position Arrêt [OFF] et laissez-la refroidir avant de continuer le nettoyage. Lorsque la surface de cuisson a refroidie et que

les indicateurs de chaleur résiduelle sont éteints, suivez la procédure de nettoyage quotidien décrite plus haut.

### Nettoyage des Déversements Brûlés

Vérifiez que les indicateurs de chaleur résiduelle sont éteints et que la table de cuisson a refroidi. Retirez toute matière brûlée à l'aide d'un racloir à lame simple. Tenez le racloir à un angle d'environ 30° au-dessus de la surface et raclez pour éliminer les dépôts (Fig.4-1).

Lorsque le plus gros a été enlevé à l'aide du racloir, suivez la procédure de nettoyage quotidien décrite plus haut.

### Gril Coulissant

Lavez la lèchefrite et la grille à l'eau savonneuse chaude. Après les grillades de viandes ou d'aliments salissants, faites tremper dans l'évier, pendant quelques minutes, immédiatement après la cuisson. Les taches tenaces sur la grille peuvent être enlevées à l'aide d'une brosse en nylon. La lèchefrite peut aussi être lavée au lave-vaisselle.

**⚠ Avant de retirer des composants du gril pour les nettoyer, assurez-vous qu'ils ont refroidi ou protégez-vous avec des gants isolants.**

Procédez comme suit pour retirer la lèchefrite à des fins de nettoyage. Pour retirer le support de la lèchefrite, tirez la lèchefrite vers l'avant (Fig.4-2).

Soulevez la lèchefrite du support. Le support est maintenu sur les glissières latérales par deux clips de chaque côté (Fig.4-3).

Pour chaque côté, soutenez la glissière latérale d'une main et, de l'autre, soulevez le support pour le dégager des clips latéraux (Fig.4-4).

Par sécurité, repoussez les glissières latérales dans l'enceinte du gril.

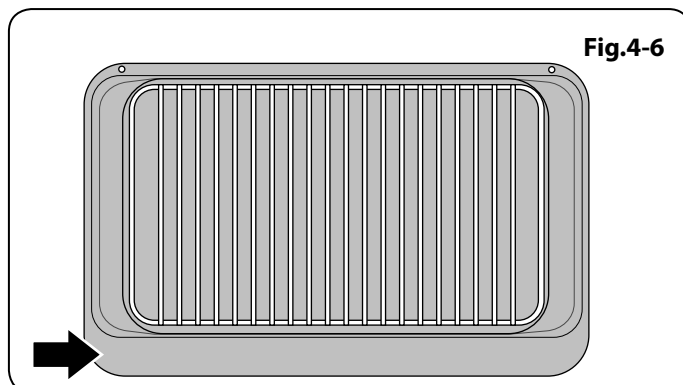
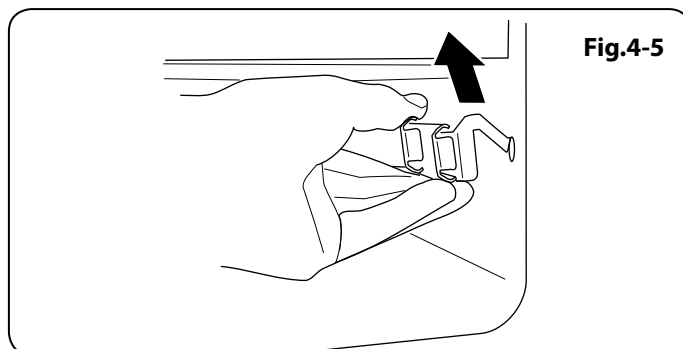
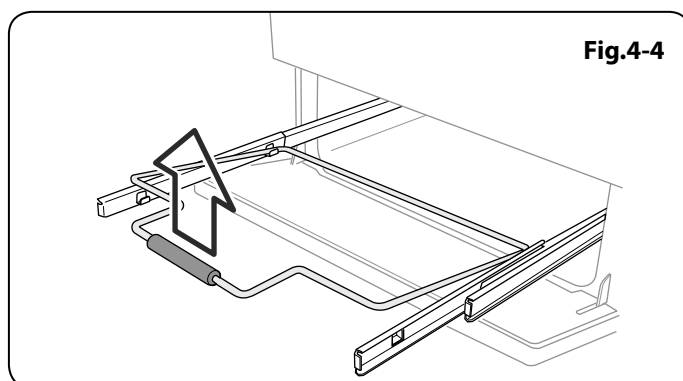
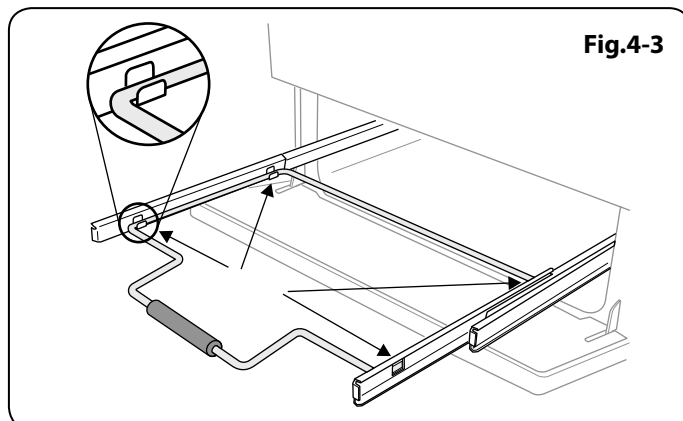
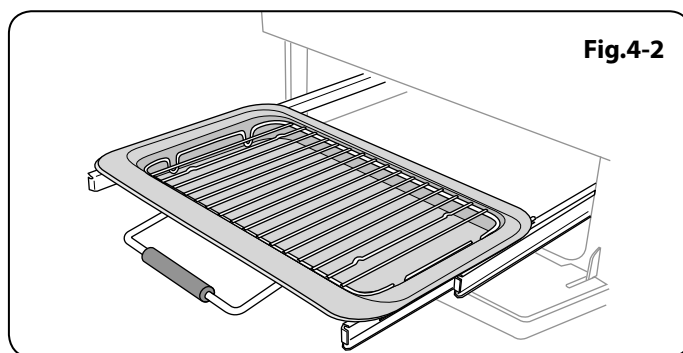
Pour faciliter le nettoyage de l'enceinte du gril, vous pouvez retirer les glissières latérales en les décrochant des côtés de l'enceinte (Fig.4-5) et essuyer les côtés avec un chiffon doux imbibé de détergent doux.

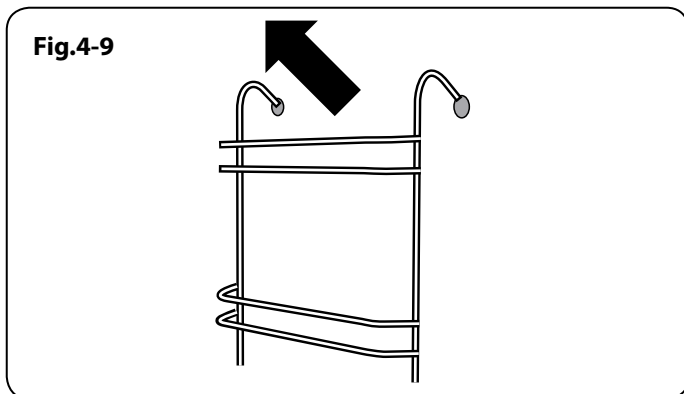
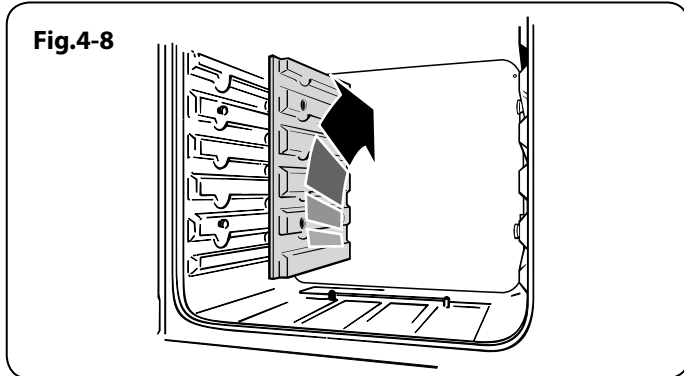
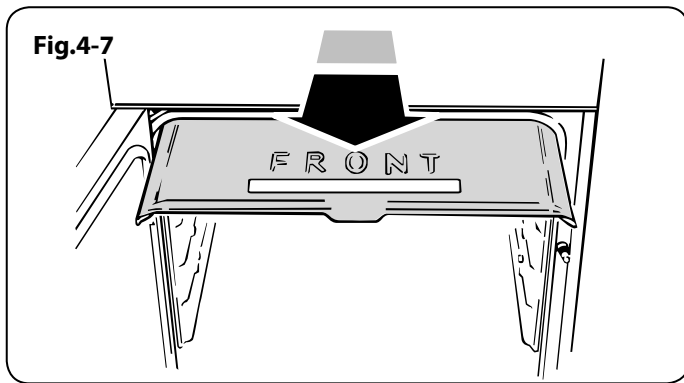
**N'utilisez pas de produit abrasif.**

**NE LAVEZ PAS les glissières latérales au lave-vaisselle.**

Après nettoyage, raccrochez les glissières latérales sur les côtés de l'enceinte du gril. Pour remonter le support, tirez les glissières latérales vers l'avant, et, pour chaque côté, soutenez la glissière et appuyez sur le support pour le réinsérer dans les glissières. Remplacez la lèchefrite.

Lors de la remise en place de la lèchefrite, assurez-vous que le bord large est à l'avant (Fig.4-6).





## Panneau de Commande et Portes

N'utilisez pas des produits nettoyants abrasifs, y compris des produits nettoyants semi-liquides, sur les surfaces en acier inoxydable brossé. Les meilleurs résultats s'obtiennent avec des détergents liquides.

Le panneau et les boutons de commande doivent être nettoyés uniquement avec un chiffon doux imbibé d'eau savonneuse chaude. Après nettoyage, lustrez à l'aide d'un chiffon sec.

## Fours

### Panneaux autonettoyants

Le four principal est doté de panneaux à revêtement émaillé partiellement autonettoyants. Ceci n'empêche pas complètement la formation de taches sur le revêtement, mais réduit le nettoyage manuel nécessaire.

Le nettoyage automatique des panneaux est plus efficace à une température supérieure à 200°C. Si, en général, vous utilisez le four à des températures inférieures, retirez occasionnellement les panneaux et essuyez-les avec un chiffon non pelucheux imbibé d'eau savonneuse chaude. Séchez et remplacez les panneaux dans le four chauffé à 200°C pendant environ une heure. Ceci assurera un bon fonctionnement des panneaux autonettoyants.

### Dépose des panneaux pour le nettoyage de l'intérieur émaillé

Si vous souhaitez nettoyer l'intérieur émaillé du four, vous devrez retirer les grilles et les panneaux autonettoyants.

Le four ventilé principal a un revêtement de voûte amovible. Faites glisser le revêtement de voûte vers l'avant et retirez-le (**Fig.4-7**).

Chaque panneau latéral est maintenu en place par quatre vis de fixation. Il n'est pas nécessaire de retirer les vis pour retirer les panneaux – soulevez les panneaux latéraux pour les dégager des vis. Tirez-les ensuite vers l'avant (**Fig.4-8**).

Après dépose des panneaux, vous pouvez nettoyer l'intérieur émaillé du four.

**⚠ N'utilisez pas de paille de fer ou tout autre matériau susceptible de rayer la surface.**

### Four Haut

Pour nettoyer les parois du four, retirez les grilles, décrochez et retirez les supports latéraux (**Fig.4-9**).

## 6. Dépannage

NE PAS faire effectuer de modifications ou de réparations de la table de cuisson par des personnes non qualifiées. N'essayez pas de réparer la table de cuisson; vous risquez de vous blesser et d'endommager la table. Faites effectuer la réparation par une personne compétente.

**Remarque :** La table de cuisson à induction est dotée d'un système de diagnostic automatique et peut afficher ces diagnostics sur l'affichage des commandes de la table. Des codes d'erreur peuvent être affichés dans le cas d'un fonctionnement défectueux de la table de cuisson.

Les informations ci-dessous pourront vous être utiles pour remédier au problème en cas d'affichage d'un code d'erreur ou de fonctionnement défectueux de la cuisinière.

### Affichage du code d'erreur E2

L'unité électronique est trop chaude. Vérifiez l'installation de la cuisinière, pour vous assurer que la ventilation en place est suffisante. Dans des cas extrêmes, ce code d'erreur peut être affiché si un récipient de cuisson continue de fonctionner à sec après ébullition. En cas de doute, veuillez contacter votre installateur ou un réparateur qualifié.

### Affichage du code d'erreur U400.

Raccordement incorrect de la table de cuisson/ cuisinière. La commande s'éteindra après 1 seconde environ et le code d'erreur sera affiché en permanence.

Consultez votre installateur ou un réparateur qualifié.

### Affichage du code d'erreur ERxx ou Ex

L'appareil présente un problème technique interne qui ne peut pas être rectifié par l'utilisateur. Veuillez contacter votre installateur ou un réparateur qualifié.

### Le fusible saute ou le disjoncteur différentiel est déclenché fréquemment

Veuillez contacter votre installateur ou un réparateur qualifié.

### La table de cuisson ne se met pas en marche

Votre système électrique domestique a-t-il fait sauter un fusible ou déclenché un disjoncteur différentiel ?

La table de cuisson a-t-elle été connectée correctement à l'alimentation secteur ?

La fonction verrouillage sécurité enfants a-t-elle été activée ? Voir la section Verrouillage sécurité enfants pour plus d'informations sur cette fonction.

### De la vapeur s'échappe du four

Pendant la cuisson d'aliments à haute teneur en eau (frites surgelées, par exemple) un peu de vapeur peut être visible sur la grille arrière. Faites attention en ouvrant la porte du four, une bouffée de vapeur peut s'échapper momentanément à l'ouverture du four. Reculez-vous et attendez que la vapeur se soit dissipée.

### Le ventilateur du four est bruyant

Le bruit du ventilateur peut changer pendant le chauffage du four – ceci est tout à fait normal.

### Quels sont les produits recommandés pour le nettoyage de la cuisinière ?

Reportez-vous à la section « Nettoyage de la cuisinière » pour des informations plus détaillées sur les produits de nettoyage recommandés.

**⚠ Nous déconseillons l'emploi de produits nettoyants corrosifs ou caustiques, susceptibles d'endommager votre cuisinière.**

### Les boutons de commande deviennent chauds lorsque j'utilise le four, comment faire pour empêcher cela ?

Ceci est dû à la chaleur provenant du four. Ne laissez pas la porte du four ouverte.

En cas de problème concernant l'installation, si mon installateur d'origine ne peut pas venir résoudre le problème, à qui incombent les frais ?

Ces frais sont à votre charge. Les sociétés d'entretien factureront leurs interventions si elles réparent une installation effectuée par votre installateur d'origine. Il est de votre intérêt de contacter votre installateur d'origine.

### En cas de problème concernant l'installation, si mon installateur d'origine ne peut pas venir résoudre le problème, à qui incombent les frais ?

Ces frais sont à votre charge. Les sociétés d'entretien factureront leurs interventions si elles réparent une installation effectuée par votre installateur d'origine. Il est de votre intérêt de contacter votre installateur d'origine.

### Disjoncteur différentiel

Lorsque l'installation de la cuisinière est protégée par un dispositif pour courant résiduel (DCR) d'une sensibilité de 30 milliampères, l'utilisation combinée de votre cuisinière et d'autres appareils domestiques peut occasionnellement causer des disjonctions fortuites.

### Les aliments cuisent trop lentement, trop rapidement, ou brûlent

Les temps de cuisson peuvent être différents de ceux de votre ancien four. Vérifiez que vous utilisez les températures et positions de grilles de four recommandées. Reportez-vous à la section Guide de cuisson des présentes instructions. Les températures du four et les temps de cuisson sont fournis à titre indicatif uniquement. En fonction des goûts individuels, les températures devront peut-être être modifiées dans un sens ou dans l'autre, pour obtenir les résultats que vous recherchez. Essayez une cuisson à des températures plus élevées.

Fig.6-1

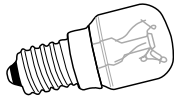
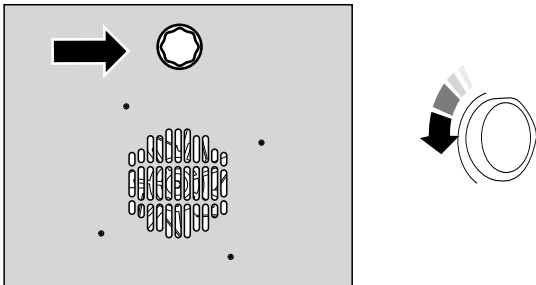


Fig.6-2



## La cuisson au four n'est pas uniforme

Dans le cas d'un grand plat, vous devrez peut-être le tourner pendant la cuisson.

Si vous utilisez deux grilles, vérifiez qu'il y a assez de place pour permettre à la chaleur de circuler. Lorsque vous insérez une plaque de cuisson dans le four, veillez à la placer au centre de la grille.

Vérifiez que le joint d'étanchéité de la porte n'est pas endommagé.

Un récipient d'eau placé sur la grille doit avoir une profondeur uniforme. (Si le niveau est plus profond à l'arrière, par exemple, l'arrière de la cuisinière doit être levé ou l'avant de la cuisinière abaissé).

Si la cuisinière n'est pas à niveau, demandez à votre fournisseur de la mettre à niveau.

## Le four ne s'allume pas

L'appareil est-il sous tension ?

Si ce n'est pas le cas, l'alimentation électrique est peut-être défectueuse. Le disjoncteur de la cuisinière est-il sur la position Marche [On] ?

Avez-vous sélectionné une fonction pour la cuisson ?

## Avec le temps, la température du four de la cuisinière augmente

Si le fait de mettre le bouton de réglage sur une température inférieure n'a pas eu d'effet ou a eu un effet temporaire, vous devrez peut-être remplacer le thermostat. Cette intervention doit être effectuée par un technicien d'entretien.

## L'éclairage du four ne fonctionne pas

L'ampoule a probablement grillé. Vous pouvez acheter une ampoule de rechange (non couverte par la garantie) dans un magasin d'accessoires électriques. Demandez une ampoule à culot vissable Edison 15 W 125 – 230 V, POUR FOURS. Cette ampoule doit pouvoir résister à une température de 300 °C (**Fig. 6-1**).

Mettez le disjoncteur sur la position arrêt.

Assurez-vous que le four a refroidi. Ouvrez la porte du four et retirez les grilles du four.

Dévissez le couvercle de l'ampoule en tournant en sens antihoraire. Il peut être très difficile à dévisser (**Fig. 6-2**).

Dévissez l'ampoule avec précaution, pour ne pas risquer de vous blesser.

Vissez l'ampoule de rechange, puis revissez le couvercle de l'ampoule. Remettez l'appareil sous tension et vérifiez que l'ampoule fonctionne.



## INSTALLATION

Une fois le travail terminé, vérifiez que les alimentations d'électricité sont correctement rebranchées.

# 6. Installation

## A l'intention de l'installateur

Avant de commencer l'installation, veuillez remplir la fiche ci-dessous. Ceci permettra à votre client de vous contacter facilement en cas de problème relatif à l'installation.

|  |
|--|
| <b>Nom de l'installateur</b>                 |
|  |
| <b>Société de l'installateur</b>             |
|  |
| <b>Numéro de téléphone de l'installateur</b> |
|  |
| <b>Numéro de série d'appareils</b>           |
|  |

## Prescriptions de Sécurité

Cette cuisinière doit être installée dans un endroit bien ventilé, conformément aux indications figurant dans la section intitulée « *Raccordement électrique* ».

Lisez les présentes instructions avant d'installer ou d'utiliser cet appareil.

## Ventilation

Cet appareil n'est pas raccordé à un dispositif d'évacuation des produits de combustion. Prêtez particulièrement attention à la réglementation en vigueur concernant la ventilation.

Toutes les pièces nécessitent une fenêtre ouvrable ou un dispositif équivalent, et certaines pièces nécessitent une mise à l'air libre permanente en plus de la fenêtre ouvrable.

## Emplacement de la Cuisinière

La cuisinière peut être installée dans une cuisine/un salon-cuisine, mais PAS dans une pièce contenant une baignoire ou une douche.

Cet appareil est conçu uniquement pour un usage domestique. Toute autre utilisation n'engage ni la responsabilité, ni la garantie du fabricant.

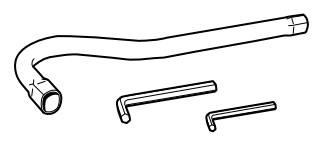
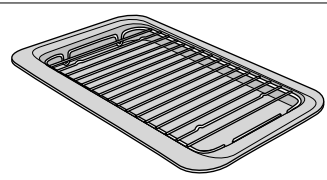
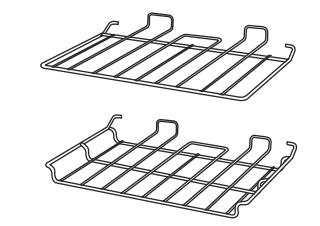
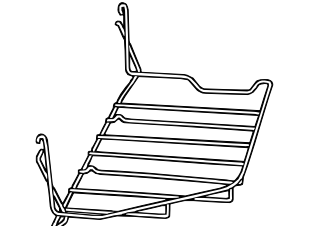
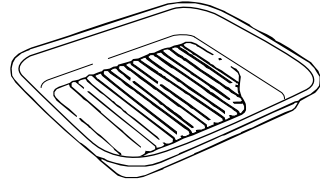
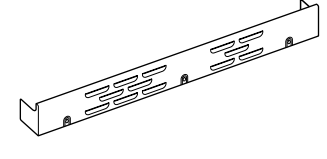

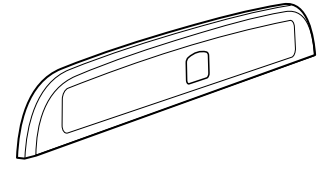
**L'installation de la cuisinière nécessitera l'emploi du matériel indiqué ci-dessous:**

- Multimètre (pour les contrôles électriques)
- Outil de mise à niveau de la cuisinière avec clés hexagonales (fournis avec la cuisinière)

**Vous aurez aussi besoin des outils suivants:**

1. Perceuse électrique
2. Foret à maçonnerie (nécessaire seulement pour montage sur sol en pierre ou en béton)
3. Chevilles Rawlplugs (nécessaires seulement pour montage sur sol en pierre ou en béton)
4. Mètre en acier
5. Tournevis cruciforme
6. Tournevis à lame plate
7. Niveau à bulle
8. Crayon
9. Clé réglable

**Vérification des pièces:**

|   |   |
|---|---|
| <i>Outil de mise à niveau de la cuisinière et clés hexagonales</i><br> | <i>Grille de lèchefrite</i><br> |
| <i>1 grilles de four plates et 1 grille surbaissée</i><br>            | <i>Handyrack</i><br>           |
| <i>Plat à rôtir</i><br>   | <i>Plinthe</i><br>             |
| <i>Grilles et supports de grilles de four haut</i><br>                | <i>Dosseret</i><br>            |

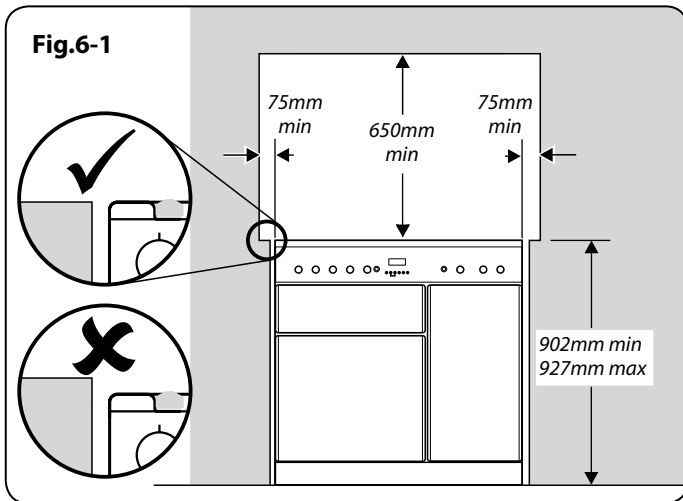
## Positionnement de la Cuisinière

La **Fig.6-1** indique les cotes minimales recommandées entre la cuisinière et les surfaces adjacentes.

Ne placez pas la cuisinière sur un support.

## INSTALLATION

Une fois le travail terminé, vérifiez que les alimentations d'électricité sont correctement rebranchées.



Le pourtour de la table de cuisson doit être au niveau ou au-dessus de tout plan de travail adjacent. Laissez un espace de 75 mm **AU-DESSUS** du niveau de la table de cuisson entre chaque côté de la cuisinière et toute surface verticale adjacente.

Pour les surfaces non combustibles (telles que le métal non peint ou les carrelages), cette cote peut être de 25 mm.

Laissez un espace de 650 mm au minimum entre la partie supérieure de la table de cuisson et une surface horizontale combustible.

La **Fig.6-2** indique les dégagements recommandés au-dessus de la cuisinière.

\*Toute hotte de cuisinière doit être installée conformément aux instructions du fabricant de hotte.

Les surfaces des meubles et des murs de chaque côté et à l'arrière de l'appareil doivent être résistantes à la chaleur, aux éclaboussures et à la vapeur. Certains types de meubles de cuisine en vinyle ou en stratifié sont particulièrement susceptibles aux risques de dommages thermiques et de décoloration. Nous déclinons toute responsabilité pour des dommages résultant d'une utilisation normale de la cuisinière et subis par des matériaux qui se décollent ou se décolorent à des températures de moins de 65°C au-dessus de la température ambiante.

Nous recommandons de laisser un espace de 920 mm entre les unités pour permettre le déplacement de la cuisinière. La cuisinière ne doit pas être encastrée. Elle doit pouvoir être déplacée vers l'avant et vers l'arrière pour le nettoyage et l'entretien.

Si la cuisinière est près d'un coin de la cuisine, un dégagement de 130 mm est nécessaire pour permettre l'ouverture des portes du four (**Fig.6-3**). La cote d'ouverture des portes est légèrement inférieure à ce dégagement, mais ceci inclut une marge de sécurité pour la protection des mains lors de l'ouverture de la porte.

### Déballage de la Cuisinière

N'enlevez aucun emballage de la cuisinière tant que celle-ci n'est pas directement en face de l'emplacement où elle sera installée (sauf si, dans son emballage externe, la cuisinière ne peut pas passer par une porte).

Coupez les courroies d'emballage et ôtez le carton recouvrant la cuisinière, mais laissez la cuisinière sur le plateau d'emballage. Reportez-vous à la feuille d'instructions de déballage fournie.

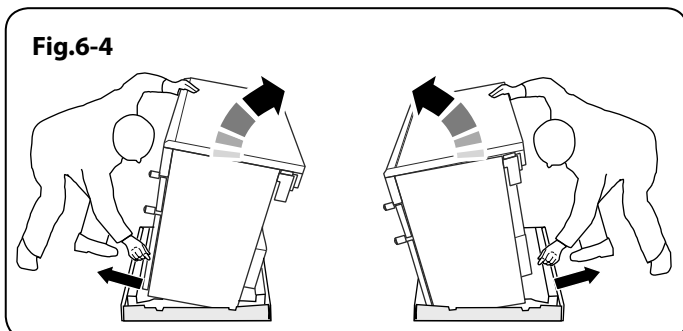
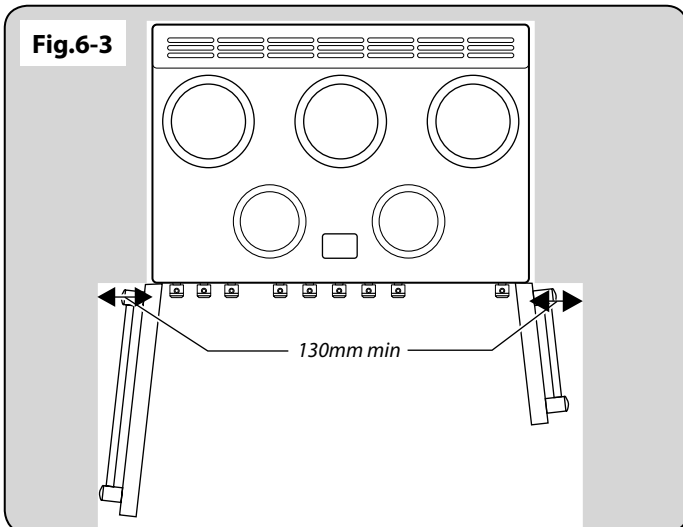
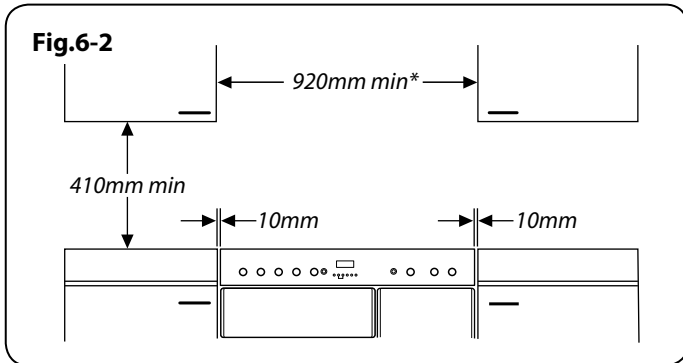
### Déplacement de la Cuisinière

**⚠ N'essayez jamais de déplacer la cuisinière lorsque celle-ci est sous tension.**

**⚠ La cuisinière est très lourde, faites très attention.**

Nous recommandons de faire appel à deux personnes pour déplacer la cuisinière. Assurez-vous que le revêtement du sol est solidement fixé en place ou retirez-le afin de ne pas l'abîmer en déplaçant la cuisinière.

Depuis l'arrière, inclinez la cuisinière vers l'avant et retirez la partie arrière du socle d'emballage en polystyrène (**Fig.6-4**). Répétez cette procédure à l'avant et retirez la partie avant du socle.



## INSTALLATION

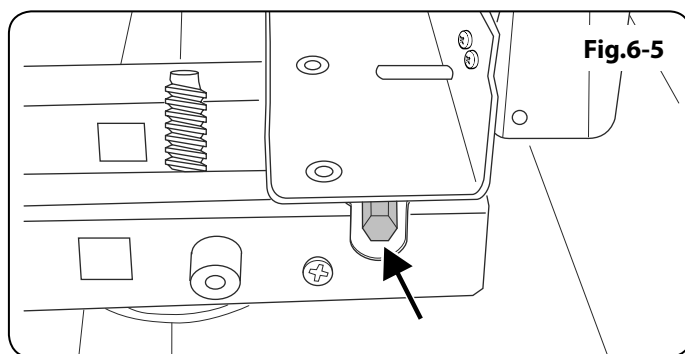
Une fois le travail terminé, vérifiez que les alimentations d'électricité sont correctement rebranchées.

### Abaissement des Deux Galets Arrière

Insérez d'abord l'outil de mise à niveau sur l'écrou de réglage hexagonal (Fig.6-5).

Effectuez 10 tours complets (360°) en sens horaire (Fig.6-6). (Tournez et retirez l'outil de mise à niveau 20 fois).

Veillez à abaisser les DEUX GALETS ARRIERE. Il y a deux écrous de réglage, un pour chaque galet, aux coins avant inférieurs de la cuisinière.

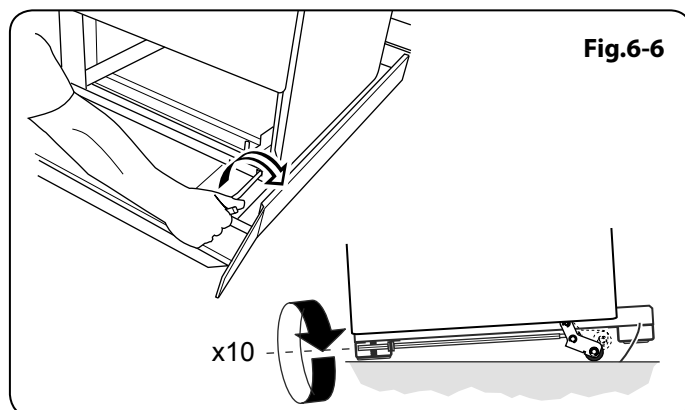


### Positionnement Final

Dépliez le bord arrière du plateau d'emballage. Ouvrez la porte du gril et la porte du four droit pour avoir une bonne prise sur la partie inférieure du panneau de commande pour déplacer la cuisinière.

Agriguez la cuisinière sous le panneau de commande et soulevez légèrement l'avant de la cuisinière (Fig.6-7).

Poussez la cuisinière vers l'arrière avec précaution pour la dégager de son socle d'emballage. Retirez le plateau d'emballage. Poussez la cuisinière près de sa position finale, en laissant juste assez de place pour pouvoir avoir accès à l'arrière.

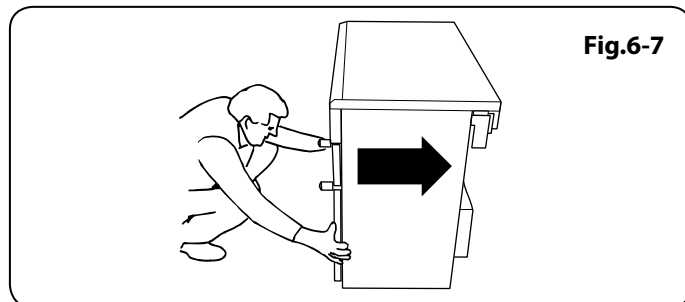


**⚠ N'utilisez pas les poignées de portes ou les boutons de commande pour déplacer la cuisinière.**

### Repositionnement de la Cuisinière après Raccordement

Si vous devez déplacer la cuisinière après son raccordement, débranchez la cuisinière, agrippez-la sous le panneau de commande et levez légèrement l'avant de la cuisinière (Fig.6-8). Vérifiez à l'arrière de l'appareil que le câble d'alimentation n'est pas entravé. Pendant le déplacement de la cuisinière, assurez-vous que le câble n'est pas entravé. Si la cuisinière est dotée d'une chaîne stabilisatrice, défaites-la pour pouvoir manœuvrer la cuisinière. N'oubliez pas de la remettre en place lorsque vous remplacez la cuisinière.

Lors de la remise en place de la cuisinière, vérifiez de nouveau que le câble n'est pas entravé ou coincé.

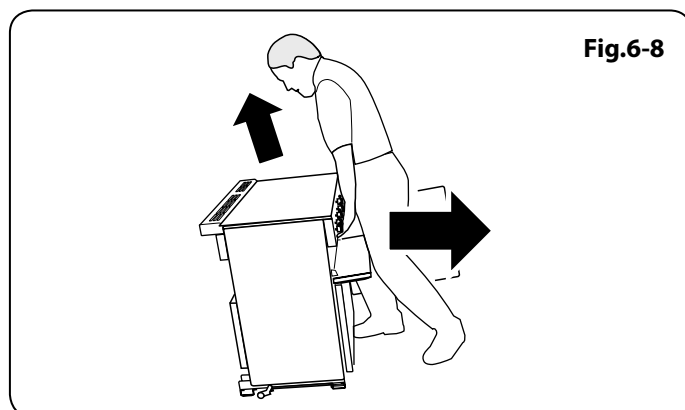


### Mise à Niveau

Nous vous recommandons d'utiliser un niveau à bulle placé sur une des grilles de four pour vérifier le niveau.

Placez la cuisinière à l'emplacement prévu pour son installation, en veillant à ne pas exercer de force de torsion lorsque vous l'insérez entre les éléments de cuisine, pour ne pas l'endommager ou endommager les éléments.

Les supports avant et les galets arrière réglables permettent la mise à niveau de la cuisinière. Pour régler la hauteur de l'arrière de la cuisinière, utilisez l'outil de mise à niveau fourni pour tourner les écrous de réglage aux coins avant inférieurs de l'appareil. Pour lever ou abaisser les supports, tournez les rondelles montées sur les supports.

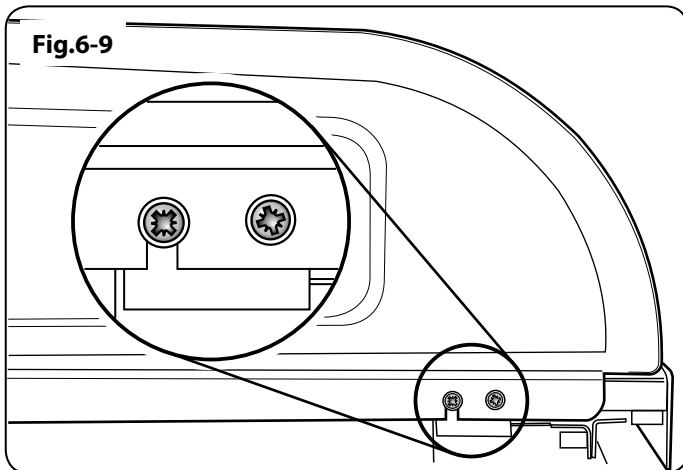


### Montage du dossieret (en option – uniquement sur certains modèles)

Déposez les deux vis de fixation (vis à pans creux hexagonales 4 mm) et les écrous qui traversent la partie supérieure de la grille arrière. Maintenez le dossieret en place. De l'arrière, replacez les 2 vis et les écrous (Fig.6-9).

## INSTALLATION

Une fois le travail terminé, vérifiez que les alimentations d'électricité sont correctement rebranchées.



### Montage des poignées

Déposez les vis Allen 4 mm des portes à l'aide de la clé hexagonale. Vissez les poignées de portes. Les poignées doivent être au-dessus des fixations. Placez les obturateurs en plastique sur les trous de fixation.

Déposez les vis Allen 4 mm des coins supérieurs du panneau avant et montez la barre ornementale avant.

### Raccordement Électrique

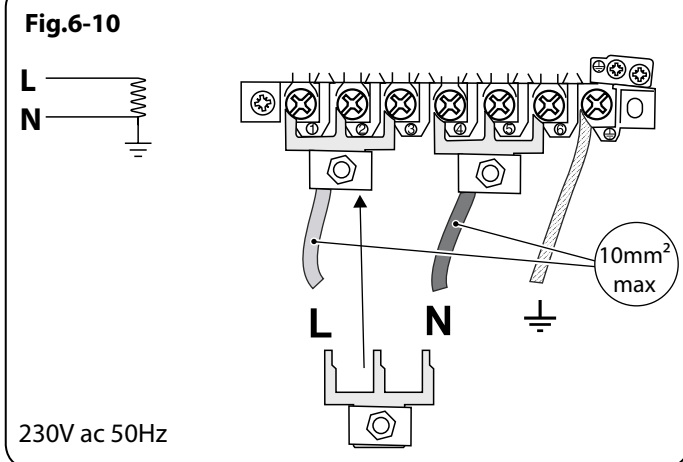
La cuisinière doit être installée par un électricien qualifié, conformément aux normes/codes britanniques en vigueur (notamment BS 7671), ou à la réglementation nationale et locale en vigueur.

**▲ MISE EN GARDE : CET APPAREIL DOIT ETRE MIS A LA TERRE.**

**Remarque:** La cuisinière doit être raccordée à l'alimentation électrique correcte, indiquée sur l'étiquette de tension sur l'appareil, par le biais d'une unité de commande de cuisinière appropriée à interrupteur bipolaire (avec une séparation de contact de 3 mm au minimum entre les pôles).

**▲ Cette cuisinière ne doit pas être raccordée à une prise d'alimentation domestique ordinaire.**

Pour accéder au bornier d'alimentation secteur, retirez le boîtier électrique sur le panneau arrière. Raccordez le câble d'alimentation secteur aux bornes correctes pour votre type d'alimentation électrique (**Fig.6-10** et **Fig.6-11**). Vérifiez que les connecteurs sont montés correctement et que les vis des bornes sont bien serrées. Fixez le câble d'alimentation secteur à l'aide du serre-câble.



230V ac 50Hz

### Contrôle de la Table de Cuisson

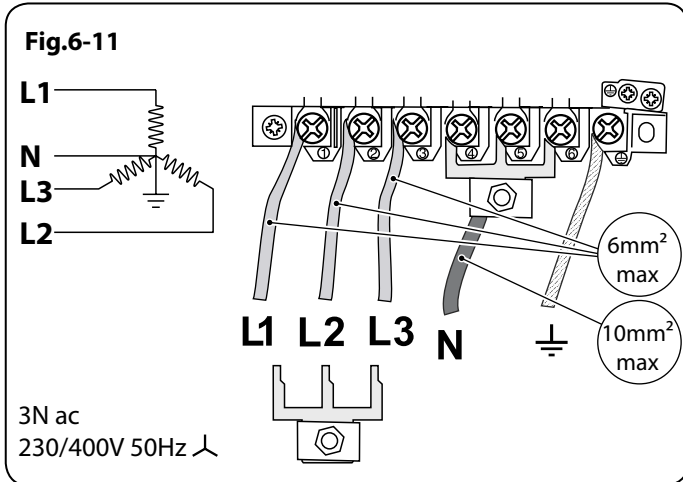
Contrôlez chaque foyer. Veillez à utiliser des récipients de cuisson recommandés et de diamètres appropriés.

### Contrôle du grill

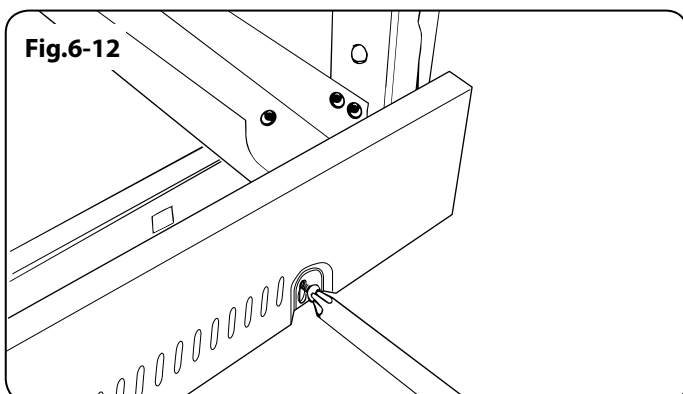
Tournez le bouton de commande du grill et vérifiez que le grill commence à chauffer.

### Contrôle des Fours

Réglez l'horloge conformément aux instructions données précédemment, et allumez les fours. Vérifiez que les ventilateurs des fours se mettent en marche et que les fours commencent à chauffer. Eteignez les fours.



3N ac  
230/400V 50Hz



### Montage de la Plinthe

Desserrez les trois vis le long du bord inférieur avant de la cuisinière. Insérez l'encoche centrale en forme de trou de serrure sur la vis centrale. Tournez et insérez les encoches d'extrémités en trou de serrure sur leurs vis respectives. Serrez les vis de fixation (**Fig.6-12**).

Veillez indiquer vos coordonnées au début de cette section. Veillez indiquer au client comment faire fonctionner la cuisinière et lui remettre les présentes instructions.

**Merci.**

**AVERTISSEMENT – INTERVENTION D’ENTRETIEN NE DEVANT ÊTRE EFFECTUÉE QUE PAR UNE PERSONNE QUALIFIÉE**  
**Avant toute intervention d’entretien, débranchez les alimentation d’électricité.**  
**Une fois le travail terminé, effectuez les contrôles de sécurité nécessaires.**

## 7. Entretien

**⚠ Débranchez l’alimentation électrique avant toute intervention d’entretien, notamment si vous devez retirer un des éléments suivants : panneau de commande, panneaux latéraux, table de cuisson ou tout composant ou boîtier électrique.**

**⚠ Avant de rebrancher l’alimentation électrique, effectuez les contrôles de sécurité nécessaires.**

### 1. Retrait d’un panneau latéral

**Mettez la cuisinière hors tension.**

Tirez la cuisinière vers l’avant. Retirez les vis de fixation sous les caches d’extrémités. Retirez les vis de retenue pour chaque panneau (une à l’avant, deux à l’arrière, et une à chaque coin inférieur avant des panneaux latéraux).

Remontez en procédant dans l’ordre inverse.

### 2. Pour soulever la table de cuisson en vitrocéramique

**Mettez la cuisinière hors tension.**

Tirez la cuisinière vers l’avant. Dévissez les deux vis situées à l’arrière, de chaque côté de la cuisinière.

Retirez les panneaux latéraux (voir point 1) pour accéder aux vis de fixation de la table de cuisson (une de chaque côté) à la partie supérieure des montants latéraux. Déposez ces vis.

Soulevez la table de cuisson à l’avant et faites-la reposer sur un support non métallique.

**ATTENTION : La table de cuisson risque beaucoup plus d’être rayée sur le revers que sur la surface supérieure.**

Veillez à ne pas toucher ni rayer le revers de la table en vitrocéramique pour éviter de réduire sa résistance et prévenir les risques de fissures.

### 3. Retrait du panneau de commande

**Mettez la cuisinière hors tension.**

Déposez la barre à torchons en retirant les deux vis de fixation des supports d’extrémités (**Fig.7-1**).

Soulevez l’avant de la table de cuisson (voir point 2). Retirez les vis supérieures du panneau de commande. Retirez tous les boutons de commande.

Ouvrez la porte du gril et du four droit et retirez les vis de fixation au-dessous du panneau de commande. Les vis situées juste sous l’horloge sont prévues pour le support de fixation de l’horloge. Ne les retirez pas à ce stade.

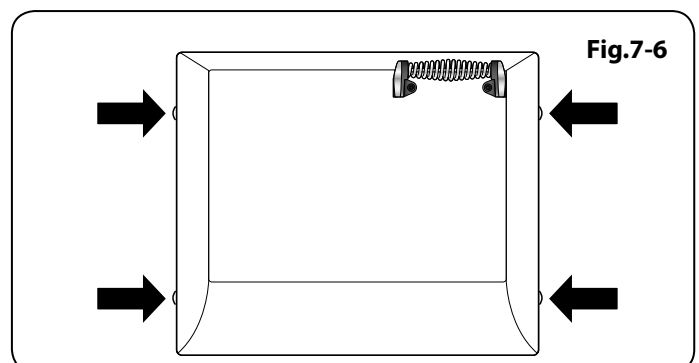
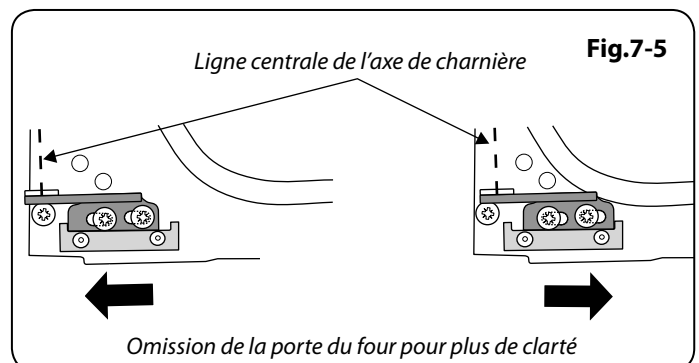
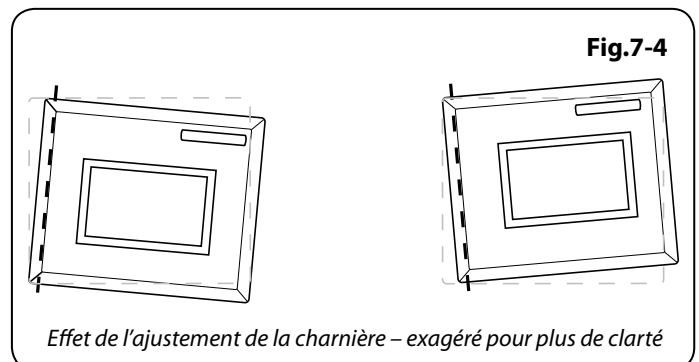
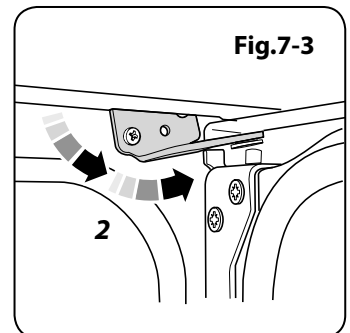
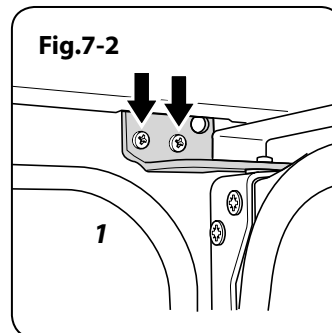
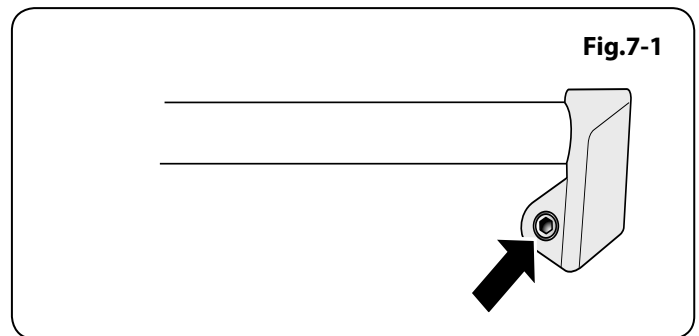
Levez et tirez le panneau de commande vers l’avant et débranchez le câblage à l’arrière.

Remontez en procédant dans l’ordre inverse. Pour rebrancher les fils électriques, reportez-vous au schéma de câblage. Contrôlez le fonctionnement de la minuterie.

### 4. Remplacement d’un élément de table de cuisson

**Mettez l’appareil hors tension.**

Soulevez la table de cuisson (voir point 3). Les éléments de chaleur à induction sont à présent accessibles. Notez les positions des raccords de fils et l’orientation des éléments en prévision du remontage. Débranchez les fils et retirez l’unité d’éléments et les ressorts. Remontez en procédant dans l’ordre inverse.



**Remarque :** Les éléments de chaleur à induction nécessitent une remise en service après remise en place de la table de cuisson.

## 5. Remplacement de l'interrupteur d'éclairage

### **Débranchez l'alimentation électrique.**

Déposez le panneau de commande (voir 1).

**Remarque:** L'interrupteur usagé peut être détruit pendant la dépose. Retirez l'interrupteur usagé en tenant fermement le corps de l'interrupteur depuis l'arrière du panneau de commande et en tournant d'un coup sec. Pour extraire l'encadrement, pliez ses languettes de fixation et poussez-le vers l'avant. Pour monter le nouvel encadrement sur le panneau de commande, alignez d'abord la clavette saillante du corps de l'encadrement et la découpe sur le panneau de commande, puis poussez pour insérer.

Pour monter le nouvel interrupteur sur l'encadrement, alignez les parties clavetées et poussez pour insérer. Montez le nouveau bouton en le poussant depuis l'avant.

Remontez le panneau de commande en procédant dans l'ordre inverse et contrôlez le fonctionnement de l'interrupteur.

## 6. Dépose de la minuterie

### **Débranchez l'alimentation électrique.**

Déposez le panneau de commande (voir 1). Tirez pour enlever le(s) bouton(s) de commande de la minuterie.

Retirez l'ensemble minuterie/support de montage du panneau de commande après avoir retiré les vis de fixation.

Pour détacher la minuterie de son support de montage, appuyez sur les languettes en plastique situées sur le boîtier de la minuterie tout en tirant la minuterie vers l'avant.

Remontez en procédant dans l'ordre inverse. Pour rebrancher les fils électriques, reportez-vous au schéma de câblage. Contrôlez le fonctionnement de la minuterie.

## 7. Remplacement d'un thermostat

### **Débranchez l'alimentation électrique.**

Déposez le panneau de commande (voir 1) et soulevez la table de cuisson (voir 3). Ouvrez la porte du four. Retirez les accessoires du four et le panneau de voûte (le cas échéant).

Four droit: retirez le couvercle du tube en verre du thermostat (deux vis). Dégagez le tube en verre des clips de retenue à l'arrière du four.

Four gauche: Tirez la cuisinière vers l'avant pour avoir accès au boîtier situé à l'arrière de la cuisinière. Retirez le boîtier après avoir dévissé ses quatre vis de fixation.

Sortez le tube capillaire du thermostat du four. Débranchez le câblage du thermostat. Retirez les deux vis de fixation du thermostat sur la plaque de montage. Insérez le nouveau thermostat et remontez en procédant dans l'ordre inverse. Vérifiez que le tube en verre est bien fixé à l'arrière du four, en position centrale, entre les clips de retenue.

Contrôlez le fonctionnement du thermostat.

## 8. Remplacement d'un régulateur de grill

### **Débranchez l'alimentation électrique.**

Déposez le panneau de commande et soulevez la table de cuisson (voir points 1 et 3). Débranchez le câblage du régulateur. Retirez les deux vis de fixation du régulateur

sur la plaque de montage. Insérez le nouveau régulateur et remontez en procédant dans l'ordre inverse. Contrôlez le fonctionnement du régulateur.

## 9. Dépose de la porte du grill

Déposez le panneau de commande (voir 1). Déposez le panneau gauche (voir 2). Retirez le cache de protection central (cinq vis – deux en haut, deux en bas et une au milieu). Retirez les deux vis à tête noyée (une de chaque côté) qui retiennent les bras articulés du grill à l'avant de l'enceinte du grill.

**Remarque:** Les bras sont sur ressorts. Procédez avec soin pour retirer la porte du grill. Conservez les garnitures d'étanchéité.

Remontez dans l'ordre inverse, en veillant à placer la garniture d'étanchéité entre le bras articulé et l'avant de l'enceinte du grill.

## 10. Dépose de l'élément du grill

### **Débranchez l'alimentation électrique.**

Retirez la lèche-frite de l'enceinte du grill, retirez la protection avant émaillée de la voûte du grill après avoir défait deux vis et rondelles.

Retirez les deux vis et les rondelles de fixation du support avant de l'élément du grill. Retirez les vis des éléments du grill.

Dégagez les éléments avec précaution et débranchez les fils des bornes des éléments, en veillant à noter leurs positions. S'il n'est pas possible de débrancher les fils de cette façon, tirez la cuisinière vers l'avant pour pouvoir accéder à l'arrière, dévissez le boîtier électrique sur la plaque arrière et débranchez les bornes de l'arrière.

Insérez le nouvel élément et remontez en procédant dans l'ordre inverse. Contrôlez le fonctionnement du grill.

## 11. Remplacement d'une porte de four

Ouvrez la porte du four. Soutenez la porte et déposez les deux vis de fixation de la charnière supérieure et du joint à l'avant du four (**Fig.7-2**). Retirez la porte de la charnière inférieure en la levant légèrement pour la dégager de l'appareil (**Fig.7-3**).

### **La porte est lourde, faites attention.**

Remontez en procédant dans l'ordre inverse.

## 12. Réglage de l'angle de la porte du four

La charnière inférieure de la porte peut être ajustée afin de modifier l'angle de la porte (**Fig.7-4**). Desserrez les vis de fixation de la charnière inférieure, et utilisez le cran et un tournevis à lame plate pour changer la position de la charnière et la régler (**Fig.7-5**).

Resserrez les vis de la charnière.

## 13. Remplacement du panneau de porte extérieur de four principal

Tirez la cuisinière vers l'avant pour pouvoir accéder aux côtés.

Entrouvrez la porte du four et retirez les vis de fixation du panneau avant des côtés de la porte – deux de chaque côté (**Fig.7-6**).

Soulevez le panneau de porte extérieur avec précaution.

Retirez la poignée de porte du panneau après avoir dévissé les deux écrous de fixation. Montez la poignée sur le nouveau panneau.

Posez le panneau sur la porte. Remontez en procédant dans l'ordre inverse.

**AVERTISSEMENT – INTERVENTION D'ENTRETIEN NE DEVANT ÊTRE EFFECTUÉE QUE PAR UNE PERSONNE QUALIFIÉE**  
**Avant toute intervention d'entretien, débranchez les alimentation d'électricité.**  
**Une fois le travail terminé, effectuez les contrôles de sécurité nécessaires.**

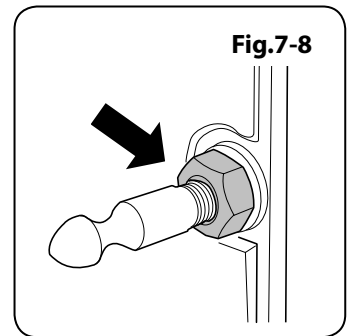
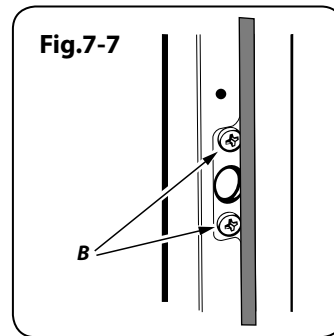
#### 14. Remplacement du panneau de porte extérieur du four haut

Déposez la porte du four (voir 11). Déposez la porte sur une surface appropriée et retirez les deux vis du bord inférieur de la porte et les deux vis de la face interne de la porte.

Retirez le panneau de porte extérieur. Retirez la poignée de porte après avoir dévissé des deux vis.

Retirez les deux vis cruciformes retenant le support de fixation de poignée de porte au panneau de porte. Montez le support de poignée de porte et la poignée de porte sur le nouveau panneau.

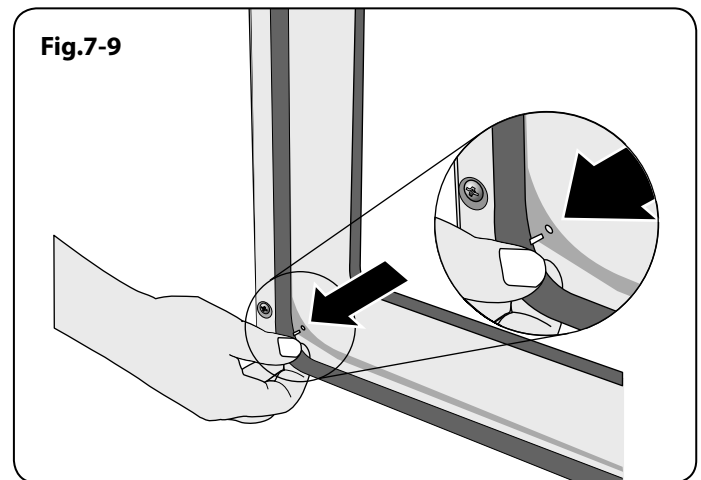
Montez le panneau sur la porte et remontez en procédant dans l'ordre inverse.



#### 15. Remplacement du verrouillage de porte principale de four

Retirez le panneau de porte extérieur du four (voir 13). Retirez les vis « B » fixant l'ensemble du dispositif de verrouillage au panneau de porte intérieur (Fig.7-7). Posez le verrouillage de rechange et remontez en procédant dans l'ordre inverse.

Contrôlez le fonctionnement de la porte.



#### 16. Réglage de la gâche du loquet de porte principale de four

Ouvrez la porte du four et desserrez le contre-écrou de la partie inférieure de la gâche (Fig.7-8).

Régalez la gâche vers l'intérieur ou l'extérieur jusqu'à obtention du réglage requis. Resserrez le contre-écrou.

#### 17. Remplacement du verrouillage magnétique de la porte du four haut

Déposez le panneau de commande (voir 1). Retirez la plinthe (trois vis) et le couvercle vertical central (cinq vis). Soulevez le clip de retenue pour le retirer de l'élément magnétique.

Insérez le nouveau verrouillage et le clip de retenue et remontez en procédant dans l'ordre inverse. Contrôlez le fonctionnement de la porte.

#### 18. Remplacement d'un joint de porte de four

Ouvrez la porte du four. Le joint est maintenu en place par des petits crochets insérables dans des trous sur la face arrière de la porte pour le four principal et sur la face avant pour le four haut. Depuis le coin, tirez sur le joint en diagonale, en l'éloignant du centre de la porte, jusqu'à ce que ce crochet se défasse (Fig.7-9). Passez au crochet suivant et défaites-le, ainsi que les suivants, de la même façon.

Vous pouvez forcer si les crochets résistent car le joint usagé sera mis au rebut.

Soulevez la partie arrière interne avec précaution. Remontez dans l'ordre inverse, en veillant à bien serrer les quatre vis et rondelles.

#### 19. Dépose d'un protecteur thermique d'élément de four

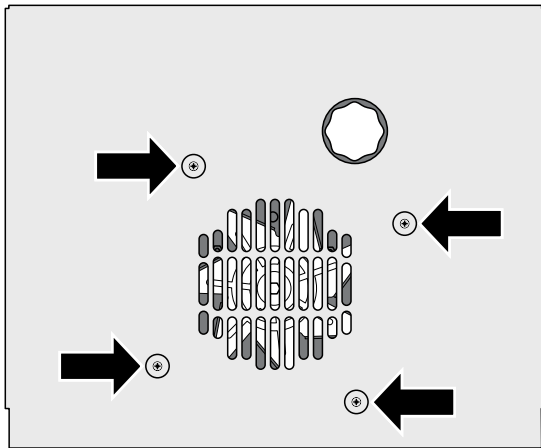
**Débranchez l'alimentation électrique.**

Tirez la cuisinière vers l'avant pour pouvoir accéder au boîtier. Dévissez et retirez le boîtier. Le protecteur thermique est situé sur la plaque de mise à la terre, à côté des raccords d'éléments du four. Débranchez le câblage du protecteur thermique.

Retirez les fixations du protecteur sur la plaque de mise à la terre et retirez le protecteur. Insérez le protecteur de rechange

**AVERTISSEMENT – INTERVENTION D'ENTRETIEN NE DEVANT ÊTRE EFFECTUÉE QUE PAR UNE PERSONNE QUALIFIÉE**  
**Avant toute intervention d'entretien, débranchez les alimentation et d'électricité.**  
**Une fois le travail terminé, effectuez les contrôles de sécurité nécessaires.**

**Fig.7-10**



et remontez en procédant dans l'ordre inverse.

**20. Dépose de la partie arrière interne du four**

**Débranchez l'alimentation électrique.**

Ouvrez la porte du four et retirez les grilles. Retirez les vis et rondelles de fixation de la partie arrière (**Fig.7-10**).

Dégagez la partie arrière interne avec précaution. Remontez en procédant dans l'ordre inverse, en veillant à bien serrer les vis et rondelles.

**21. Dépose de l'élément du four ventilé**

**Débranchez l'alimentation électrique.**

Retirez la partie arrière interne du four (voir 20).

Retirez les deux vis sur la partie supérieure de l'élément et la vis sur la partie inférieure de l'élément à l'intérieur du four (**Fig.7-11**).

Dégagez les éléments avec précaution et débranchez les fils des bornes des éléments, en veillant à noter leurs positions. S'il n'est pas possible de débrancher les fils de cette façon, tirez la cuisinière vers l'avant pour pouvoir accéder à l'arrière, dévissez le boîtier électrique sur la plaque arrière et débranchez les bornes de l'arrière.

Insérez le nouvel élément et remontez en procédant dans l'ordre inverse. Contrôlez le fonctionnement du four.

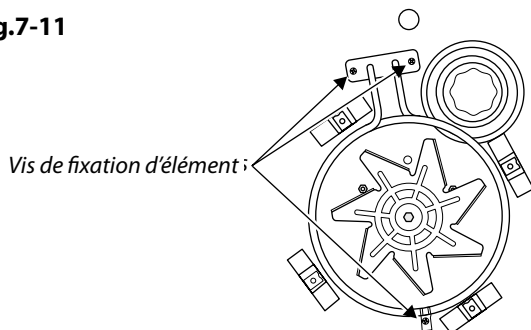
**22. Dépose du ventilateur du four**

**Débranchez l'alimentation électrique.**

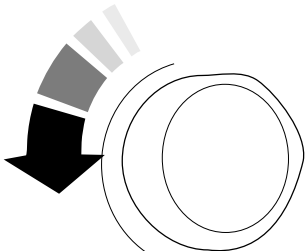
Tirez la cuisinière vers l'avant pour pouvoir accéder à l'arrière. Dévissez et retirez le boîtier électrique sur la plaque arrière.

Débranchez les 3 bornes raccordées au ventilateur, en veillant à noter leurs positions. Déposez la partie arrière interne du four (voir 20). Maintenez les pales du ventilateur et défaites l'écrou central (filetage gauche), les deux rondelles en laiton, les pales et le jonc d'arrêt. Dévissez les écrous de fixation et les rondelles (trois de chaque) et retirez le ventilateur de la partie arrière de la cuisinière. Insérez le nouveau ventilateur et remontez en procédant dans l'ordre inverse. Contrôlez le fonctionnement du four.

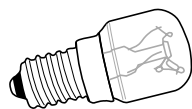
**Fig.7-11**



**Fig.7-12**



**Fig.7-13**



**23. Remplacement de l'ampoule d'éclairage du four**

**Débranchez l'alimentation électrique.**

Assurez-vous que le four a refroidi. Ouvrez la porte du four et retirez les grilles du four. Retirez la lèchefrite et le support de l'enceinte du gril.

Dévissez le couvercle de l'ampoule en tournant en sens antihoraire. Il peut être très difficile à dévisser (**Fig.7-12**).

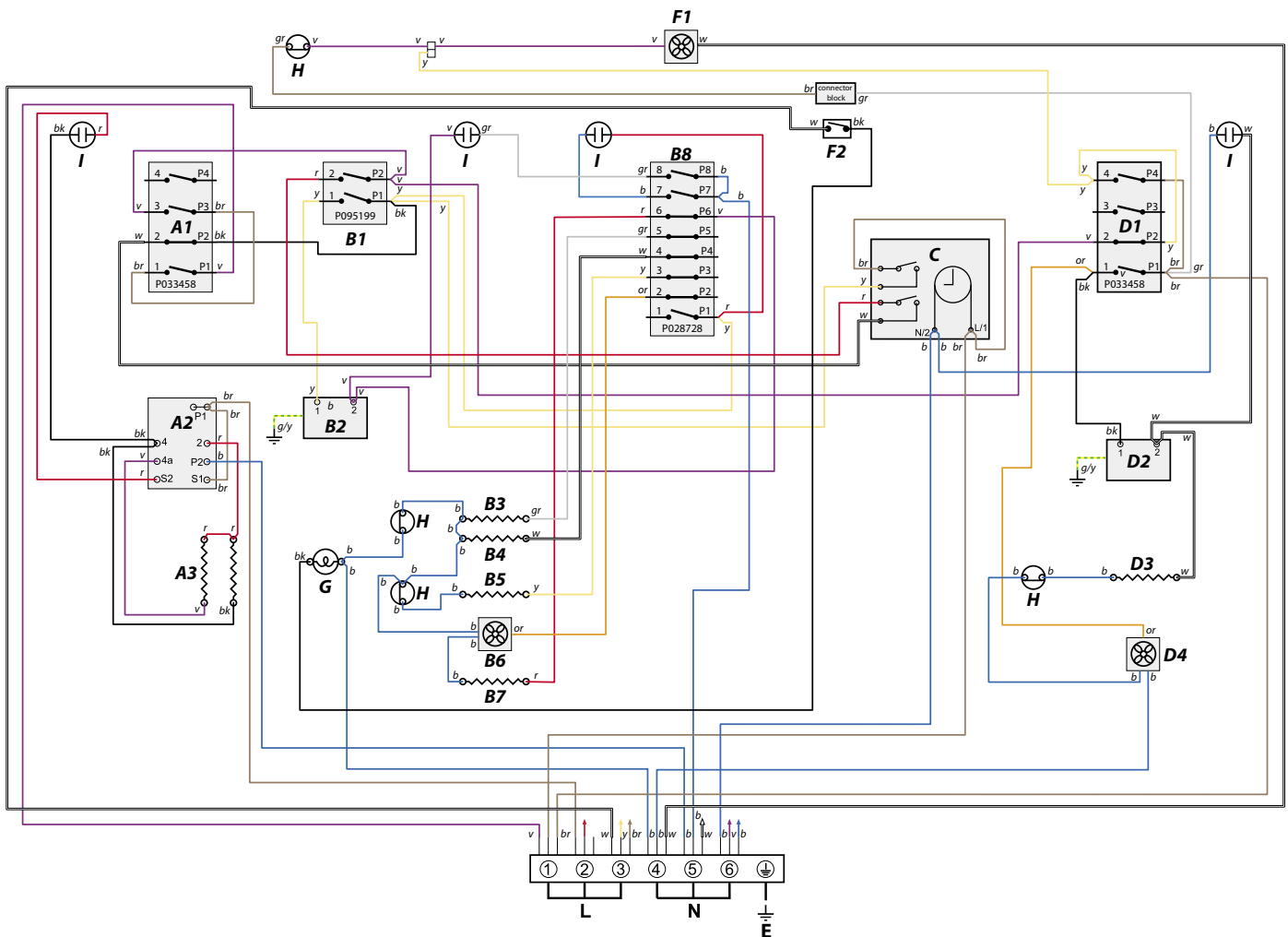
Dévissez l'ampoule avec précaution, pour ne pas risquer de vous blesser.

Montez une ampoule à culot vissable Edison 15 W 240 V, POUR FOURS. Cette ampoule doit pouvoir résister à une température de 300° C (**Fig.7-13**).

Vissez l'ampoule de rechange, puis revissez le couvercle de l'ampoule. Remettez l'appareil sous tension et contrôlez le fonctionnement de l'éclairage.



## 8. Schéma de câblage: Fours



### Légende

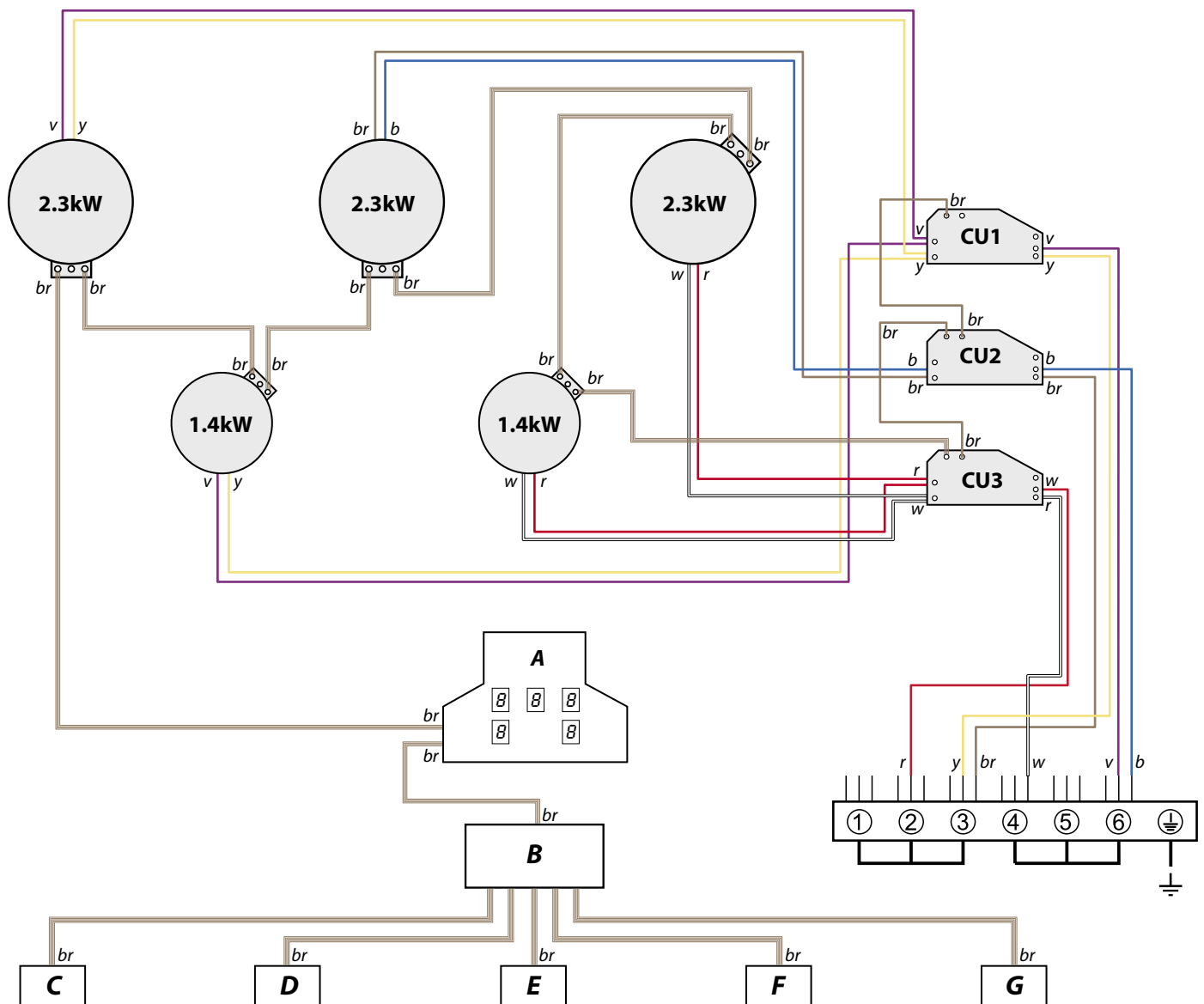
Les raccords indiqués sur le schéma de câblage sont pour une alimentation monophasée. Les capacités nominales sont pour 230V 50Hz.

| Code      | Élément   |
|-----------|---|
| <b>A1</b> | Interrupteur avant de gril                          |
| <b>A2</b> | Régulateur de puissance de gril                     |
| <b>A3</b> | Éléments de gril                                    |
| <b>B1</b> | Interrupteur avant de four gauche                   |
| <b>B2</b> | Thermostat de four gauche                           |
| <b>B3</b> | Élément supérieur de four gauche (Paire extérieure) |
| <b>B4</b> | Élément supérieur de four gauche (Paire intérieure) |
| <b>B5</b> | Élément centre de four gauche                       |
| <b>B6</b> | Ventilateur du four gauche                          |
| <b>B7</b> | Élément intérieur de four gauche                    |
| <b>B8</b> | Interrupteur avant de Multifonctions                |

| Code      | Élément                          |
|-----------|----------------------------------|
| <b>C</b>  | Horloge                          |
| <b>D1</b> | Interrupteur avant de four droit |
| <b>D2</b> | Thermostat de four droit         |
| <b>D3</b> | Élément de four droit            |
| <b>D4</b> | Ventilateur de four droit        |
| <b>F1</b> | Ventilateur de refroidissement   |
| <b>F2</b> | Interrupteur d'éclairage de four |
| <b>G</b>  | Eclairage de four                |
| <b>H</b>  | Protecteur thermique             |
| <b>I</b>  | Néon                             |

| Code       | Couleur      |
|------------|--------------|
| <i>b</i>   | Bleu         |
| <i>br</i>  | Brun         |
| <i>bk</i>  | Noir         |
| <i>or</i>  | Orange       |
| <i>r</i>   | Rouge        |
| <i>v</i>   | Voilet       |
| <i>w</i>   | Blanc        |
| <i>y</i>   | Jaune        |
| <i>g/y</i> | Vert / jaune |
| <i>gr</i>  | Gris         |

# Schéma de câblage: Table de cuisson



| Code       | Élément                                   |
|------------|---|
| <b>A</b>   | Panneau de commande tactile Touchlite     |
| <b>B</b>   | Tableau de distribution                   |
| <b>C</b>   | Commande avant gauche                     |
| <b>D</b>   | Commande arrière gauche                   |
| <b>E</b>   | Commande centrale                         |
| <b>F</b>   | Commande avant droite                     |
| <b>G</b>   | Commande arrière droite                   |
| <b>CU1</b> | Unité de commande double gauche (esclave) |
| <b>CU2</b> | Unité de commande centrale (esclave)      |
| <b>CU3</b> | Unité de commande double droite (maître)  |

| Code       | Couleur      |
|------------|--------------|
| <i>b</i>   | Bleu         |
| <i>br</i>  | Brun         |
| <i>bk</i>  | Noir         |
| <i>or</i>  | Orange       |
| <i>r</i>   | Rouge        |
| <i>v</i>   | Voilet       |
| <i>w</i>   | Blanc        |
| <i>y</i>   | Jaune        |
| <i>g/y</i> | Vert / jaune |
| <i>gr</i>  | Gris         |

## 9. Fiche technique

A L'INTENTION DE L'INSTALLATEUR: Veuillez remettre les présente instructions à l'utilisateur.

EMPLACEMENT DE BADGE TECHNIQUE: Arrière de la cuisinière, badge auxiliaire de numéro de série sous l'ouverture de la porte du four.

### Raccordements

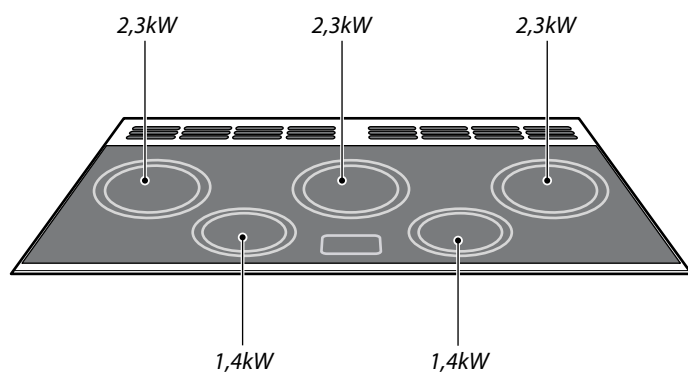
|                    |                 |
|--------------------|-----------------|
| <b>Electricité</b> | 220 - 240V 50Hz |
|--------------------|-----------------|

### Dimensions

|                             |               |               |
|-----------------------------|---------------|---------------|
| <b>Hauteur hor tout</b>     | minimum 902mm | maximum 927mm |
| <b>Largeur hors tout</b>    | 900mm         |               |
| <b>Profondeur hors tout</b> | 650mm         |               |

Voir "Positionnement de la cuisinière".

### Puissances



| Rendement\Four    | Four principal | Four haut |
|-------------------|----------------|-----------|
| Rendement maximum | 3,7kW          | 2,5kW     |

| Fours  | Four principal      | Four haut          |
|--|---------------------|--------------------|
|  | Multifonction       | Convection         |
| <b>Catégorie d'efficacité énergétique :</b><br>Sur une échelle de A (plus efficace) à G (moins efficace) | B                   | B                  |
| <b>Consommation d'énergie basée sur une charge standard</b>  | 0,90kWh             | 0,99kWh            |
| <b>Volume utilisable (litres)</b>  | 62                  | 53                 |
| <b>Taille</b>  | Moyenne             | Moyenne            |
| <b>Temps de cuisson – charge standard</b>  | 41 minutes          | 49 minutes         |
| <b>Surface de cuisson</b>  | 1400cm <sup>2</sup> | 790cm <sup>2</sup> |

|             |       |
|-------------|-------|
| <b>Gril</b> | 2,3kW |
|-------------|-------|

Charge électrique totale maximale à 230 V 18,2 kW (total approximatif comprenant éclairages de fours, ventilateur de four, etc.)

**AGA CONSUMER PRODUCTS**

Clarence Street, Royal Leamington Spa,  
Warwickshire, CV31 2AD, England.  
Tel: +44 (0) 1926 457400 Fax: +44 (0) 1926 450526  
E-mail: consumers @rangemaster.co.uk



## Free Manuals Download Website

<http://myh66.com>

<http://usermanuals.us>

<http://www.somanuals.com>

<http://www.4manuals.cc>

<http://www.manual-lib.com>

<http://www.404manual.com>

<http://www.luxmanual.com>

<http://aubethermostatmanual.com>

Golf course search by state

<http://golfingnear.com>

Email search by domain

<http://emailbydomain.com>

Auto manuals search

<http://auto.somanuals.com>

TV manuals search

<http://tv.somanuals.com>