

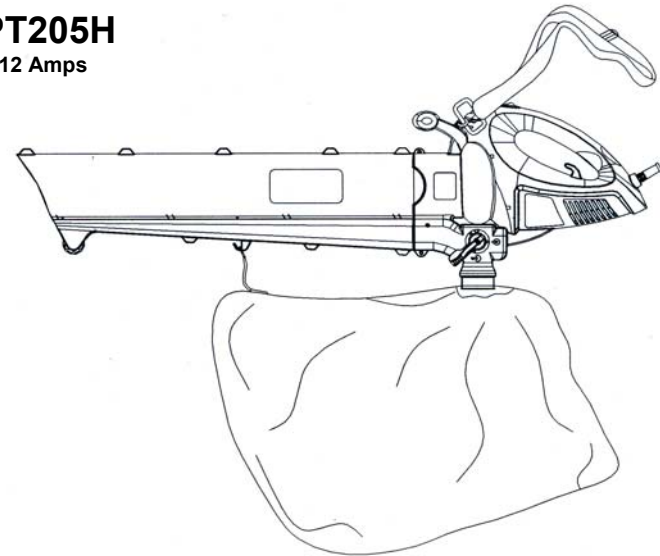
**FANTOM®**

# Leaf Blower

## OWNER'S MANUAL

### Model PT205H

120V., 60Hz., 12 Amps



**⚠ CAUTION**

Before using this Leaf Blower, read this manual and follow all its Safety Rules and Operating Instructions.

- Safety Instructions
- Accessories
- Assembly
- Operation
- Maintenance

FANTOM, 94 Main Mill Street, Door 16, Plattsburgh, N.Y. 12901  
Tel.: 1 (800) 275-9251



## ONE (1) YEAR LIMITED WARRANTY

FANTOM warrants this product to be free from defects in material and workmanship for a period of one (1) year from the date of the original purchase, when utilized for normal household use, subject to the following conditions, exclusions and exceptions.

If your appliance fails to operate properly while in use under normal household conditions within the warranty period, return the complete appliance and accessories, freight prepaid to:

**FANTOM, 94 Main Mill Street, Door 16, Plattsburgh NY 12901**

If the appliance is found by FANTOM to be defective in material or workmanship, FANTOM will repair or replace it free of charge. Proof of purchase date and \$ 24.95 to cover the cost of return shipping and handling must be included. \*

Non-durable parts including, without limitation, blades and electrical parts which normally require replacement are specifically excluded from warranty.

The liability of FANTOM is limited solely to the cost of the repair or replacement of the unit at our option. This warranty does not cover normal wear of parts and does not apply to any unit that has been tampered with or used for commercial purposes. This limited warranty does not cover damage caused by misuse, abuse, negligent handling or damage due to faulty packaging or mishandling in transit. This warranty does not cover damage or defects caused by or resulting from damages from shipping or repairs, service or alterations to the product or any of its parts, which have been performed by a repair person not authorized by FANTOM.

This warranty is extended to the original purchaser of the unit and excludes all other legal and/or conventional warranties. The responsibility of FANTOM if any, is limited to the specific obligations expressly assumed by it under the terms of the limited warranty. **In no event** is FANTOM liable for incidental or consequential damages of any nature whatsoever. Some states do not permit the exclusion or limitation of incidental or consequential damages, so the above may not apply to you.

This warranty gives you specific legal rights, and you may also have other rights which vary from state to state.

**\*Important: Carefully pack item to avoid damage in shipping. Be sure to include proof of purchase date and to attach tag to item before packing with your name, complete address and phone number with a note giving purchase information, model number and what you believe is the problem with item. We recommend you insure the package (as damage in shipping is not covered by your warranty). Mark the outside of your package "ATTENTION CUSTOMER SERVICE". We are constantly striving to improve our products, therefore the specifications contained herein are subject to change without notice.**



### OWNERSHIP REGISTRATION CARD

Please fill out and mail the product registration card within ten (10) days of purchase. The registration will enable us to contact you in the unlikely event of a product safety notification. By returning this card you acknowledge to have read and understood the instructions for use, and warnings set forth in the accompanying instructions.

**RETURN TO FANTOM: 94 Main Mill Street, Door 16, Plattsburgh, NY 12901**

**Model PT205H**

Appliance model

Date purchased

Name of store

Owner's name

Address

City

State

Zip Code

## TROUBLESHOOTING


TROUBLESHOOTING GUIDE		
SYMPTOM	CAUSE	REMEDY
Unit fails to operate	<ol style="list-style-type: none"> <li>1. Switch in the OFF position.</li> <li>2. Extension cord disconnected</li> <li>3. Circuit breaker tripped, or fuse blown.</li> <li>4. Mechanical failure.</li> </ol>	<ol style="list-style-type: none"> <li>1. Move switch to ON position.</li> <li>2. Reconnect extension cord.</li> <li>3. Reset circuit breaker or fuse.</li> <li>4. Contact Customer Service at 1 (800) 275-9251.</li> </ol>
Unit vibrates abnormally	<ol style="list-style-type: none"> <li>1. Mechanical failure.</li> <li>2. Blockage to parts.</li> </ol>	<ol style="list-style-type: none"> <li>1. Contact Customer Service at 1 (800) 275-9251.</li> <li>1. Inspect unit for blockage.</li> </ol>
Impeller will not turn freely	<ol style="list-style-type: none"> <li>1. Debris in air intake area.</li> <li>2. Mechanical failure.</li> </ol>	<ol style="list-style-type: none"> <li>1. Unplug and clear unit of debris.</li> <li>2. Contact Customer Service at 1 (800) 275-9251.</li> </ol>

# SAFETY & WARNING INSTRUCTIONS

**! WARNING! THIS MACHINE CAN CAUSE SERIOUS INJURIES.** When using electric gardening appliances basic safety precautions should always be followed to reduce the risk of fire, electric shock and personal injury. The warnings and safety instructions in this manual must be followed to provide reasonable safety and efficiency in using this unit. Carefully read and understand the entire owner's manual before using your Leaf Blower. Be thoroughly familiar with the controls and the proper use of this unit. Restrict the use of this unit to persons who read, understand and follow unit and manual instructions and warnings. Pay close attention to the Operating Instructions and Safety Warnings.

## READ ALL INSTRUCTIONS BEFORE USING

1. Wear safety glasses or goggles that are marked as meeting ANSI Z87.1 standards and ear/hearing protection when operating this unit. wear a face or dust mask if the job is dusty.
2. Do **NOT** leave the leaf blower plugged in. Unplug from electrical outlet when not in use, changing from blower to vacuum, if the appliance starts to vibrate abnormally, during maintenance or before servicing.
3. Only operate this unit in natural daylight or good artificial light.
4. Avoid dangerous environments. Never operate your unit in damp or wet conditions. Moisture is a shock hazard. Avoid using near pools, hot-tub areas, etc.
5. Do **NOT** use the leaf blower in the rain.
6. Do **NOT** handle the unit with wet hands.
7. **Use the right tool for the right job.** Use the unit only as described in this manual. Do **NOT** use for any job except that for which it is intended. This unit is intended for household use only.
8. Always direct the extension cord to the rear of the leaf blower. Ensure that it is firmly attached to the rear power cord hook.
9. Inspect the area to be cleared before each use. Remove all objects such as rocks, sticks, gravel, or other debris that can ricochet and cause injury.
10. **Do NOT** unplug by pulling on the power cord. To unplug, grasp the plug, not the cord.
11. Keep hair, loose clothing, fingers and parts of the body away from openings and moving parts.
12. **Do NOT** allow to be used as a toy. Close attention is necessary when used by or near children.
13. Inspect all extension cords and the unit power connection periodically. Look closely for deterioration, cuts or cracks in the insulation. Also inspect the connections for damage. Replace the cords if any defects or damage appear.
14. Risk of cuts. Keep hands away from impeller. Keep both hands on handles when power is on.



**WARNING:** The operation of any leaf blower can result in foreign objects being thrown in the eyes. This can lead to severe eye damage. Before commencing power tool operation always wear safety glasses or goggles that are marked as meeting ANSI Z87.1 standards and a full face shield when needed.

## SAVE THESE INSTRUCTIONS For Household Use Only

# SAFETY & WARNING INSTRUCTIONS

15. Before each use, thoroughly inspect your unit for loose or damaged parts. Do **NOT** use until adjustments or repairs have been made.
16. All attachments must be installed properly before operating the unit, such as debris collector bag.
17. Keep all bystanders especially pets and children at least fifty (50) feet from the unit while using.
18. To avoid unintentionally starting of the unit, do **NOT** carry plugged-in unit with your finger on the switch. Be sure the unit is unplugged.
19. Always remain alert and use common sense when using this unit. To prevent injury to yourself and to others, **NEVER** use the leaf blower when you are tired.
20. **DO NOT** operate this unit while under the influence of drugs, alcohol or medication.
21. Do **NOT** over reach or use the leaf blower from unstable surfaces such as ladders, trees, steep slopes, rooftops, etc. Keep proper footing and balance at all times.
22. Wear heavy, long pants, boots, gloves and a long sleeve shirt. Do **NOT** wear loose clothing, jewelry, short pants sandals or go barefoot. Secure hair above shoulder level.
23. Always turn switch off when vacuuming or blowing is delayed or when changing locations. **Always** inspect new locations before operating.
24. To reduce the risk of electrical shock, use only with an extension cord intended for outdoor use such as SW-A, SOW-A, STW-A, STOW-A, SJW-A, SJOW-A, SJTW-A or SJTOW-A.0
25. Ground Fault Circuit Interrupter (GFCI) protection should always be provided on electrical circuits or outlets to be used for this unit.
26. To reduce the risk of electrical shock, use only with a two conductor extension cord intended for outdoor use.
27. Never connect the unit to an AC voltage that differs from the one on the unit's rating plate.
28. To reduce the risk of electrical shock, this unit has a polarized plug (one blade is wider than the other) and will require the use of a polarized extension cord. This unit plug will fit into a polarized extension cord only one way. If the plug does not fit, obtain a correct polarized extension cord. A polarized extension cord requires the use of a polarized wall outlet. This plug will fit into a polarized wall outlet only one way. If the plug does not fit, contact a qualified electrician to install the proper wall outlet. Do **NOT** change the unit plug, extension cord receptacle or extension cord plug in any way.
29. When using an extension cord, make sure that it is a cord that is heavy enough to carry the current that your unit will draw. An undersized extension cord will cause a drop in line voltage resulting in loss of power and overheating. The table below shows the correct size to use depending on the cord length and amperage rating.

**⚠ WARNING**

To reduce the risk of electrocution, keep all connections dry and off the ground. Do not touch the plug with wet hands.

	Extension Cord Length			
	25'	50'	100'	150'
AMPERAGE RATING	WIRE SIZE (AWG)			
1-12 AMPS	18	16	14	12

30. Keep impeller clean of vegetation and other foreign materials. Cooling air inlets may become clogged with debris. Overheating the unit can increase risk of fire or injury.
31. When using the unit, always hold the unit with both hands. Keep a firm grip on the front handle and on the top handle.

# OPERATING INSTRUCTIONS

## Emptying the Vacuum Bag

**WARNING:** To avoid serious personal injury, turn the leaf blower to the "Off" position and unplug from the power source before removing the vacuum bag. **NOTE:** Empty the vacuum bag after each use to avoid deterioration and obstructing the air flow, which will reduce the performance of the leaf blower. **WARNING:** Always wear eye protection and a dust mask when emptying the vacuum bag.

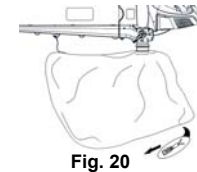


Fig. 20

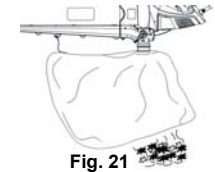


Fig. 21

1. Turn off and unplug the unit from power source. Wait until all parts stop moving.
2. Unzip the bag over a receptacle for debris, such as a garbage bag, or compost bin. (Fig. 20)
3. Gently shake bag to ensure it is empty. (Fig. 21)
4. Zipper must be closed to the end to ensure bag will not leak or throw objects. (Fig. 22)

**⚠ CAUTION:** Do not store debris in bag, this could cause damage to the fabric, leading to further injury or damage to the unit.

**NOTE:** Check bag frequently for wear. Small tears in bag will easily enlarge. If bag shows signs of wear replace only with bag suggested by manufacturer.

# MAINTENANCE

## Removing Debris from Blocked Tube/Impeller

1. Turn the unit to the "Off" position and unplug the leaf blower from the power source. Wait for all moving parts to stop.
2. Remove the vacuum bag and blower/vacuum tube.
3. Carefully remove the material blocking the impeller or blower/vacuum tube. Rotate the blades by hand to assure that the blockage has been completely cleared.
4. Check the impeller for any signs of damage. If damage to any parts have occurred contact customer service at 1 (800) 275-9251.
5. Reinstall the blower/vacuum tube and the vacuum bag.
6. Reconnect to power source and resume use.

**⚠ WARNING:** Never douse or squirt motor with water or any other liquid. Keep handles and tubes dry, clean and free from debris.

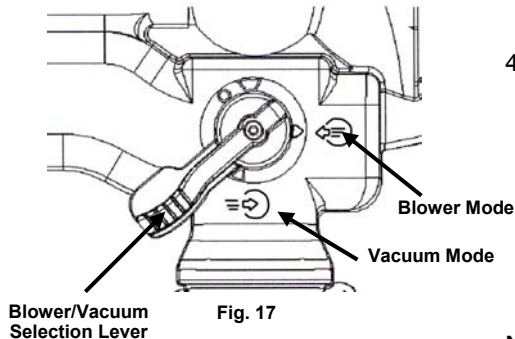
## Storage of Leaf Blower

1. Store unit and extension cord indoors.
2. Keep out of reach of children.
3. Tube can be stored upright after assembly, however ensure that there are no sharp objects that can damage the tube.
4. Do not store tube under any other items. This can cause permanent dents in the tube.

## OPERATING INSTRUCTIONS

### Using your Leaf Blower as a Blower

1. Ensure that proper clothing is worn and safety glasses are used.
2. Set the blower/vacuum selection lever to the blower mode. (Fig. 17)
3. Place the shoulder strap over your head and onto your shoulder. Adjust the length as instructed on page 7.
4. Hold the leaf blower securely with both hands.
5. Sweep from side to side with the nozzle several inches above the ground. Slowly advance, keeping the accumulated debris pile in front of you. (Fig. 18, Fig. 19)



### Using your Leaf Blower as a Vacuum

- Your leaf blower can be used as a vacuum to pick up dry material such as leaves, grass, small twigs, sawdust or bits of paper.
- DO NOT** use to vacuum up stones, gravel, metal, broken glass etc, as this could cause damage to impeller, or the operator and bystanders if these objects propelled through the bag.
1. Ensure that proper clothing is worn and safety glasses are used.
  2. Set the blower/vacuum selection lever to the vacuum mode. (Fig. 17)
  3. Place the shoulder strap over your head and onto your shoulder. Adjust the length as instructed on page 7.
  4. Hold the leaf blower, tilting the blower/vacuum tube slightly and using a sweeping motion to collect light debris. Small leaves and twigs will flow into the vacuum bag and be mulched as they pass through the fan housing, allowing the vacuum bag to hold more debris. Avoid forcing the leaf blower into a pile of debris as this can block the unit or the blower/vacuum tube.

**Note:** If the leaf blower starts to vibrate or make an abnormal sound, turn the unit "Off", unplug from power source and check for the cause.

**WARNING:** Do not use the leaf blower to spread fertilizer or clear any kind of powdered or dangerous chemicals. This is highly dangerous and could cause serious harm to the operator and environment.

## SAFETY & WARNING INSTRUCTION

32. The unit will continue to run for a few seconds after the power is switched off.
33. **Do Not** rest the unit on any surface while the unit is running. Debris such as gravel, sand, dust, grass etc. could be picked up by the air intake and thrown out through the discharge opening, damaging the unit, property, or causing serious injury to any person nearby.
34. **Never** run the unit without the proper attachments. When used as a blower, always install a blower tube. Use only factory approved attachments provided with the leaf blower.
35. **Do Not** use with any opening blocked. Keep free of dust, lint, hair or other objects that may reduce air flow.
36. To avoid accidental fire, do not use blower near leaf or brush fires, fireplaces, barbecue pits, ashtrays.
37. **Do Not** use for spreading chemicals, fertilizers, or any other substances which may contain toxic materials.
38. Store the unit in a dry place either locked up or on a high shelf out of the reach of children to prevent unauthorized use or damage.
39. **Do Not** place objects inside blower tube or aim blowing debris towards people, animals, glass, or solid objects such as cars, trees, walls etc. The force of the air can throw objects with enough force to seriously damage or harm people or objects.
40. Allow motor to stop and disconnect power source before opening the air inlet attachment or to insert or remove the vacuum tubes. The **motor must be stopped** and the impeller blades should no longer be turning to avoid serious injury from the rotating fan-like blades.
41. Inspect debris collector bag **BEFORE** each use. Ensure that bag is firmly zippered shut before use.  
**WARNING:** Hard objects can be thrown through the debris collector bag or the housing and become dangerous missiles which can seriously injure operator or bystanders.
42. When using the vacuum attachment **do not** vacuum up stones, gravel, glass, metal or other objects that could damage debris collector bag. The bag is intended **ONLY** for dry materials such as leaves, grass and very small twigs.
43. **Do Not** vacuum up discarded matches, cigarettes, ashes, coal, or fireplace pits. Avoid any flammable or hot objects. Inspect area to be vacuumed carefully.
44. **Never** vacuum up damp or moist materials or vacuum water or other liquids. Allow leaves or grass to dry before collecting in debris collector bag.
45. **Never** run vacuum without the proper installation of parts. When using the vacuum, always install vacuum tubes and debris collector bag according to instructions.
46. Stop and disconnect unit from power source. Inspect all openings and tubes frequently, to ensure safety from overheating and fire.
47. **NEVER** douse or squirt the unit with water or any other liquid. Keep handles dry, clean and free from debris. Clean after every use. See cleaning and storage section for further instructions.
48. **Do NOT** operate this unit in explosive atmospheres, such as in the presence of flammable liquids, gases or dust.

# SAFETY & WARNING INSTRUCTION

49. **Make sure that bystanders, pets, and children are at least 50 feet from blower or vacuum to avoid serious injury from objects that may be propelled by unit.**

**!** This unit can violently propel objects. It is advised that you wear protective safety clothing, i.e.: long pants, covered shoes, face mask, and safety glasses.

**!** Disconnect unit from power source before performing maintenance or when converting the unit from one function to another.

**!** All electrical repairs to this unit, including housing, motor, etc., must be diagnosed by a qualified service personnel. Replacement parts for a double insulated appliance must be recommended by the manufacturer.

## **!** WARNING

### SERVICING OF A DOUBLE-INSULATED APPLIANCE.

In a double-insulated product, two systems of insulation are provided instead of grounding. No grounding means are provided for a double-insulated product, nor should grounding means be added to the product. Servicing a double-insulated product requires extreme care and knowledge of the system and should be done only by qualified service personnel. Replacement parts for a double-insulated product must be identical to the original parts. A double-insulated product is marked with the words "double Insulation" or "Double Insulated". Product may also be marked with symbol shown.



# SAVE THESE INSTRUCTIONS

## For Household Use Only

# OPERATING INSTRUCTIONS

## Using Your Leaf Blower

**!** **WARNING:** If any parts are missing, damaged or broken, **DO NOT** operate the leaf blower until they have been replaced. Failure to do so could result in possible serious injury.

**!** **WARNING:** To prevent serious personal injury, always use both the front hand grip and the top handle to hold the leaf blower during operation.

**!** **WARNING:** To prevent serious personal injury, keep hands away from the impeller. Make sure that the unit is unplugged when clearing jammed material from impeller. **DO NOT** grasp the impeller when picking up or holding the unit.

**!** **WARNING:** Always inspect area to be cleared ensuring there are no large hard objects that can cause serious injury.

**!** **WARNING:** Do not attempt to vacuum water or other liquids or wet objects such as wet leaves. This could cause damage to the unit or cause electrical shock.

**!** **DANGER:** Never vacuum very hard objects such as nails, bolts, and rocks as this will severely damage the unit. Hard objects can be propelled through the debris collector bag or the housing and become dangerous missiles which can cause serious injury to operator, bystanders, or nearby solid objects. Avoid burning debris that can cause the collector bag to catch on fire. Do not operate near an open flame. Do not vacuum up discarded cigarettes, cigars, or embers from fireplace, pits or BBQ's.

**!** **WARNING:** Do not assemble or disassemble the blower/vacuum tube while the unit is running. Inserting or removing the blower/vacuum tube while unit is running can result in serious injuries. Allow unit to stop and disconnect from power source.

**!** **WARNING:** Do not use leaf blower as a vacuum without the vacuum bag in place and firmly attached. Always make sure the vacuum bag's zipper is properly zipped before starting the unit.

Your leaf blower can be used to sweep debris or grass clippings from driveways, sidewalks, or patios. Blowing grass clippings, straw or leaves into piles for easy clean-up and/or composting. Before operating the leaf blower:

1. Ensure that proper clothing is worn and safety glasses are used. (Fig.15)
2. Direct air flow by directing the blower tube downwards or from side to side in a sweeping motion.
3. To clean corners, work from tightest point outwards.
4. Use caution when working around vegetation as the air force could damage plant life.



Fig. 15

## Air Vents

Never cover the air vents on the unit. Always keep them free from obstructions and debris. (Fig. 16)

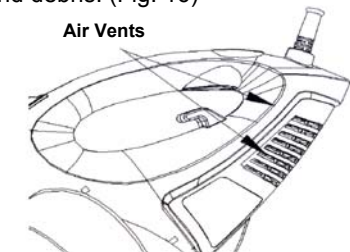


Fig. 16

## OPERATING INSTRUCTIONS

### How to Attach the Extension Cord

**NOTE: DO NOT** use an extension cord over 150 feet long.

1. Use only with a 2 conductor extension cord intended for outdoor use with a polarized plug, with one blade larger than other, UL listed.
2. Form a loop with the extension cord. (Fig 11)



Fig. 11

3. Slip loop through power cord guide. (Fig 12)

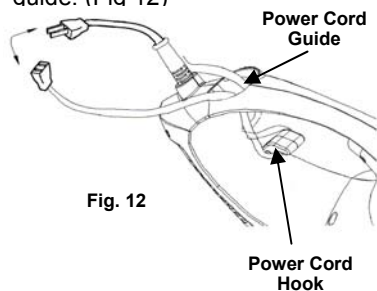


Fig. 12

4. Latch loop of power cord onto hook. (Fig. 12)
5. Insert the plug of the leaf blower into the outlet on the extension cord. (Fig. 13)

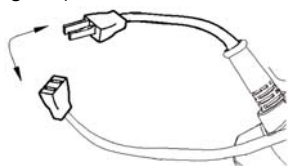


Fig. 13

### How to Use the Power Switch

**WARNING:** If you do not fully seat the extension cord on the inlet plug, the loose plug could lead to overheating and cause a fire, or electrical shock. Ensure that you fully seat the cord on the plug and use the cord lock feature to secure the cord.

**IMPORTANT:** Check the power cord frequently during use for holes in the insulation or other damage. **DO NOT** use a damaged cord.

**DO NOT** run the cord through standing water or wet grass.

The leaf blower is equipped with a two way On/Off switch. (Fig. 14) 'O' is OFF. 'I' is for "ON".

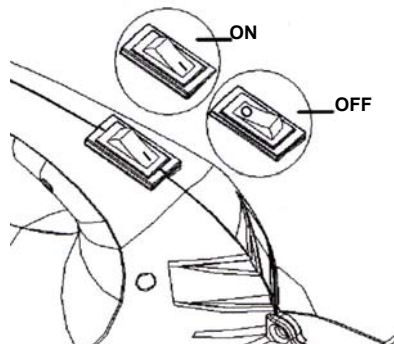
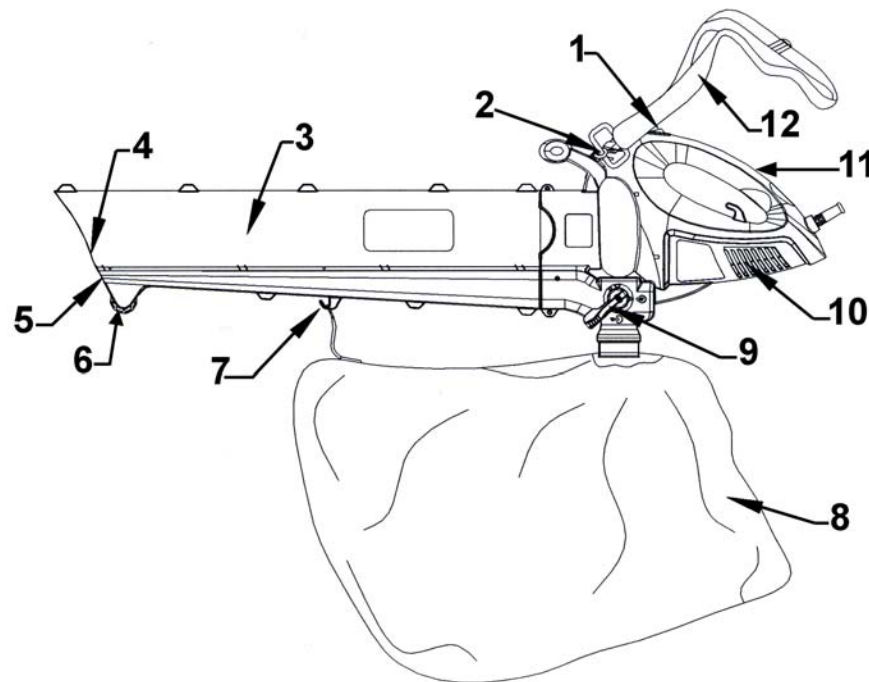


Fig. 14

## GETTING TO KNOW YOUR LEAF BLOWER



- |                       |                                  |
|-----------------------|----------------------------------|
| 1. On/Off Switch      | 7. Vacuum Bag Hook               |
| 2. Latch Support      | 8. Vacuum Collector Bag          |
| 3. Blower/Vacuum Tube | 9. Blower/Vacuum Selection Lever |
| 4. Vacuum Inlet       | 10. Air Vents                    |
| 5. Blower Outlet      | 11. Handle                       |
| 6. Guide Wheel        | 12. Shoulder Strap               |

\* Illustrations may differ from actual product.

### Technical Specifications

Voltage: 120V., 60Hz.  
Current: 12 Amps.

**Use of ear protection is recommended when using this unit.**

## OPERATING INSTRUCTIONS

### Assembly Instructions

**⚠ WARNING:** Remove the plug from the power source before assembly of leaf blower. This will help prevent accidental starting of the unit which could result in serious injury.

**⚠ CAUTION:** The impeller rotates for a few seconds after you turn off the blower and will cause injury. **WAIT** until all parts stop moving.

**NOTE:** Instructions must be followed in order.

1. Remove all parts from the packaging.
2. Remove the nuts and screws provided from the packaging.
3. Insert the blower/vacuum tube all the way into the opening on the motor housing until the holes in the tabs on the blower/vacuum tube align with the screw holes in the housing. (Fig. 1)

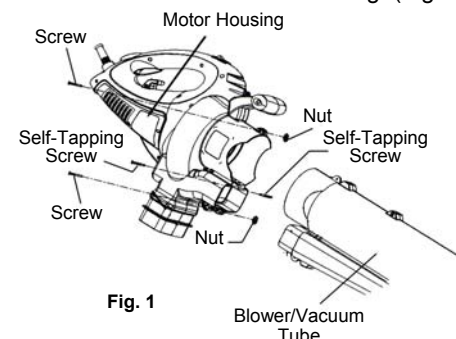


Fig. 1

4. Insert the two (2) screws into the right side of the motor housing the two (2) nuts into the left side of the motor housing. (Fig. 1)
5. Tighten the screws firmly. **Do not** over-tighten.
6. Insert the two (2) self-tapping screws into the holes on either side of the blower/vacuum tube. (Fig. 2)

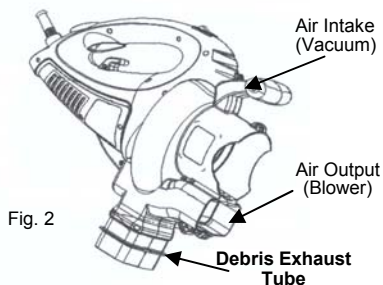


Fig. 2

7. Tighten the screws firmly but do not over-tighten.
8. Turn the unit "Off" and remove the plug from the extension cord.
9. Remove the two (2) self tapping screws from either side of the blower outlet housing.
10. Remove the two (2) screws and nuts holding the blower/vacuum tube to the housing.

**Note:** Place all the screws and nuts in a safe place for future use.

11. Remove the blower/vacuum tube from the motor housing.
- Important:** Always replace the blower/vacuum tube before using the leaf blower.

**IMPORTANT:** The leaf blower will not run unless the vacuum tube is locked in place.

### Attaching the Vacuum Bag

**⚠ WARNING:** Remove the plug from the power source before assembly of leaf blower. This will help prevent accidental starting of the unit which could result in serious injury.

1. Slide the buckle that is on the vacuum bag onto the vacuum bag hook that is on the underside of the blower/vacuum tube. (Fig. 3)

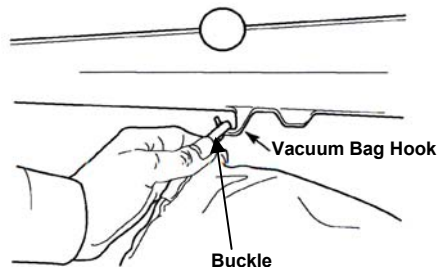


Fig. 3

2. Slide the vacuum bag over the debris exhaust tube on the housing. (Fig. 2)

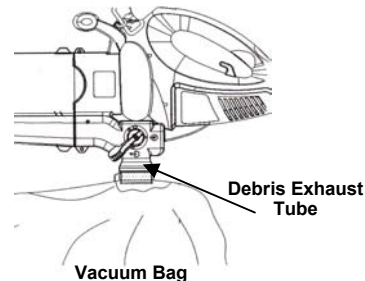


Fig. 4

4. To remove the vacuum bag, loosen the velcro strap and pull the vacuum bag off of the debris exhaust tube. (Fig. 5)

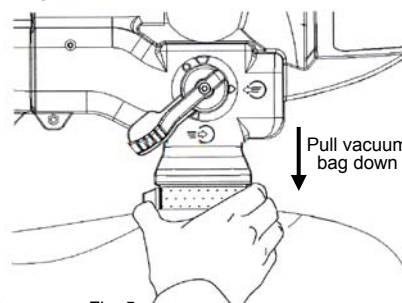


Fig. 5

5. Always replace the vacuum bag before using the leaf blower.

### Attaching the Shoulder Strap

If the shoulder strap is not already put together:

1. Push the end through the center of the buckle.
2. Pull the strap over the cross bar and down through the slot in the buckle. (Fig. 6)

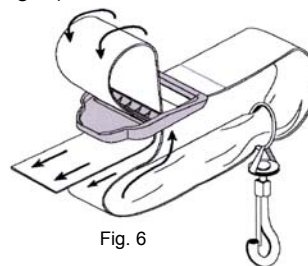


Fig. 6

3. Fully extend the shoulder strap. (Fig. 7)

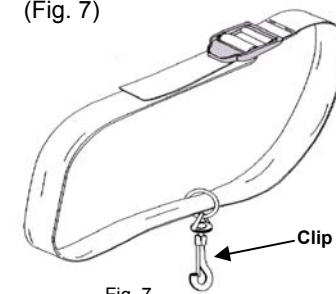


Fig. 7

4. Attach the metal clip of the shoulder strap to the latch support on top of the handle. (Fig. 8)

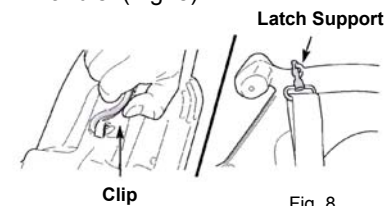


Fig. 8

5. Place the shoulder strap over your head and opposite shoulder. (Fig. 9)

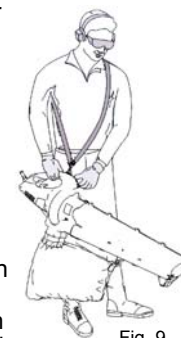


Fig. 9

6. While in the operating position, adjust the length of the shoulder strap to fit your height. To lengthen the shoulder strap, pull the strap down and move the buckle up. To shorten, pull the strap back through the buckle while moving the buckle down. (Fig. 10)

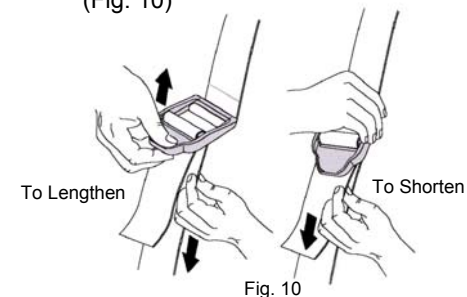


Fig. 10

## OPERATING INSTRUCTIONS



## Free Manuals Download Website

<http://myh66.com>

<http://usermanuals.us>

<http://www.somanuals.com>

<http://www.4manuals.cc>

<http://www.manual-lib.com>

<http://www.404manual.com>

<http://www.luxmanual.com>

<http://aubethermostatmanual.com>

Golf course search by state

<http://golfingnear.com>

Email search by domain

<http://emailbydomain.com>

Auto manuals search

<http://auto.somanuals.com>

TV manuals search

<http://tv.somanuals.com>