

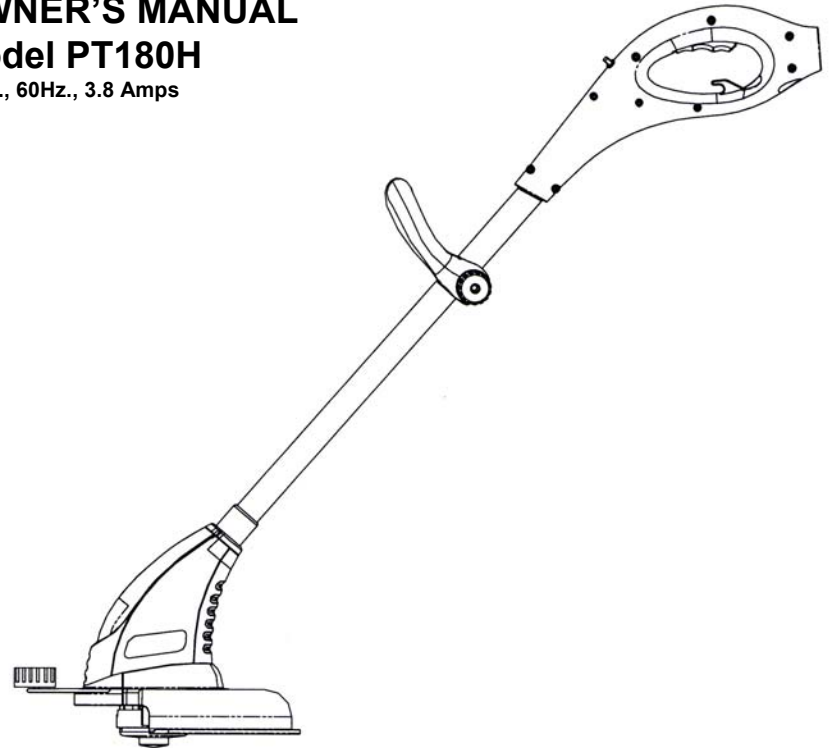
FANTOM®

Grass Trimmer

OWNER'S MANUAL

Model PT180H

120V., 60Hz., 3.8 Amps



CAUTION

Before using this Grass Trimmer, read this manual and follow all its Safety Rules and Operating Instructions.

- Safety Instructions
- Accessories
- Assembly
- Operation
- Maintenance

FANTOM, 94 Main Mill Street, Door 16, Plattsburgh, N.Y. 12901
Tel.: 1 (800) 275-9251

SAFETY & WARNING INSTRUCTIONS

Model PT180H



WARNING! THIS MACHINE CAN CAUSE SERIOUS INJURIES.

When using the Grass Trimmer basic safety precautions should always be followed to reduce the risk of fire, electric shock and personal injury. Carefully read and understand the entire owner's manual before using your Grass Trimmer. Pay close attention to the Operating Instructions and Safety Warnings. Be thoroughly familiar with the controls and the proper use of this unit. Restrict the use of this unit to persons who read, understand and follow unit and manual instructions and warnings. Close attention is necessary when used near children.

READ ALL INSTRUCTIONS BEFORE USING

1. Do **NOT** leave the grass trimmer plugged in. Unplug from electrical outlet when not in use or before servicing.
2. Avoid dangerous environments. Never operate your unit in damp or wet conditions. Moisture is a shock hazard.
3. Do **NOT** use the grass trimmer in the rain.
4. Do **NOT** handle the unit with wet hands.
5. **Use the right tool for the right job.** Use the unit only as described in this manual. Do **NOT** use for any job except that for which it is intended.
6. Clear the area to be cut before each use. Remove all objects such as cords, lights, wires or string which can become entangled in the trimmer line.
7. Do **NOT** abuse the extension cord. Do **NOT** pull or carry the unit by the extension cord, use the extension cord as a handle, close a door on the cord, or pull by the extension cord around sharp edges or corners. Keep the extension cord away from heated surfaces, oil and sharp edges.
8. Do **NOT** unplug by pulling on the extension cord. To unplug, grasp the plug, not the cord.
9. Keep extension cord away from cutting elements.
10. Inspect all extension cords and the unit power connection periodically. Look closely for deterioration, cuts or cracks in the insulation. Also inspect the connections for damage. Replace the cords if any defects or damage appear.
11. Keep hair, loose clothing, fingers and parts of the body away from openings and moving parts.
12. Do **NOT** allow to be used as a toy. Close attention is necessary when used by or near children.
13. Risk of cuts. Keep hands away from trimmer line. Keep both hands on the unit when the unit is on.
14. Do **NOT** attempt to remove cut material or hold material to be cut when the trimmer line is moving. Make sure the unit is unplugged when clearing jammed material from the cutting area. Do **NOT** grasp the exposed trimmer line when picking up or holding the unit.
15. To reduce the risk of electrical shock, use only with a two conductor extension cord intended for outdoor use.
16. Never connect the unit to an AC voltage that differs from the one on the unit's rating plate.



CAUTION: Trimmer line coasts after the unit is turned off.



WARNING: The operation of any grass trimmer can result in foreign objects being thrown in the eyes. This can lead to severe eye damage. Before commencing power tool operation always wear safety glasses or goggles that are marked ANSI Z87.1 standards and a full face shield when needed.

ONE (1) YEAR LIMITED WARRANTY

FANTOM warrants this product to be free from defects in material and workmanship for a period of one (1) year from the date of the original purchase, when utilized for normal household use, subject to the following conditions, exclusions and exceptions. If your appliance fails to operate properly while in use under normal household conditions within the warranty period, return the complete appliance and accessories, freight prepaid to:

FANTOM, 94 Main Mill Street, Door 16, Plattsburgh NY 12901

If the appliance is found by FANTOM to be defective in material or workmanship, FANTOM will repair or replace it free of charge. Proof of purchase date and \$16.95 to cover the cost of return shipping and handling must be included. *

Non-durable parts including, without limitation, trimmer line spools, and electrical parts which normally require replacement are specifically excluded from warranty.

The liability of FANTOM is limited solely to the cost of the repair or replacement of the unit at our option. This warranty does not cover normal wear of parts and does not apply to any unit that has been tampered with or used for commercial purposes. This limited warranty does not cover damage caused by misuse, abuse, negligent handling or damage due to faulty packaging or mishandling in transit. This warranty does not cover damage or defects caused by or resulting from damages from shipping or repairs, service or alterations to the product or any of its parts, which have been performed by a repair person not authorized by FANTOM.

This warranty is extended to the original purchaser of the unit and excludes all other legal and/or conventional warranties. The responsibility of FANTOM if any, is limited to the specific obligations expressly assumed by it under the terms of the limited warranty. **In no event** is FANTOM liable for incidental or consequential damages of any nature whatsoever. Some states do not permit the exclusion or limitation of incidental or consequential damages, so the above may not apply to you. This warranty gives you specific legal rights, and you may also have other rights which vary from state to state.

***Important:** Carefully pack item to avoid damage in shipping. Be sure to include proof of purchase date and to attach tag to item before packing with your name, complete address and phone number with a note giving purchase information, model number and what you believe is the problem with item. We recommend you insure the package (as damage in shipping is not covered by your warranty). Mark the outside of your package "ATTENTION CUSTOMER SERVICE". We are constantly striving to improve our products, therefore the specifications contained herein are subject to change without notice.



OWNERSHIP REGISTRATION CARD

Please fill out and mail the product registration card within ten (10) days of purchase. The registration will enable us to contact you in the unlikely event of a product safety notification. By returning this card you acknowledge to have read and understood the instructions for use, and warnings set forth in the accompanying instructions.

RETURN TO FANTOM: 94 Main Mill Street, Door 16, Plattsburgh, NY 12901

Model PT180H

Appliance model

Date purchased

Name of store

Owner's name

Address

City

State

Zip Code

Printed in China

OPERATING INSTRUCTIONS

Care, Maintenance & Storage

! WARNING: To avoid serious personal injury, be sure that the power cord is removed before cleaning or performing any kind of maintenance on the grass trimmer.

Your grass trimmer has been designed to operate with a minimum amount of maintenance. Continuous satisfactory operation depends on proper tool care and regular cleaning.

1. Remove the power cord from the unit.
2. Regularly clean the ventilation slots using a soft brush or dry cloth. Never immerse trimmer head in water.
3. Regularly clean the trimmer line and spool housing using a soft brush or dry cloth.

4. Remove the cutting guard and remove the grass clippings and dirt from underneath. The cutting guard can be rinsed under running water. Always replace onto the unit once you have finished cleaning it.
5. If parts need to be replaced or repaired, contact FANTOM customer service for information.
6. Store the unit indoors, away from moisture and harmful substances such as solvents.
7. Store the unit in a dry place, either locked up or up high to prevent unauthorized use or damage. Keep out of the reach of children.

TROUBLESHOOTING

If your grass trimmer seems not to be operating properly, follow the following troubleshooting instructions. If this does not help to solve your problem, call FANTOM customer service at 1 (800) 275-9251.

| PROBLEM | POSSIBLE CAUSE | POSSIBLE SOLUTION |
|--|---|---|
| Machine fails to operate | <ol style="list-style-type: none"> 1. Power is turned off. 2. Electrical outlet faulty. 3. Extension cable damaged. 4. Fuse faulty/blown. | <ol style="list-style-type: none"> 1. Press on safety trigger interlock and squeeze On/Off trigger. 2. Use another electrical outlet. 3. Inspect extension cord, replace if damaged. 4. Replace fuse. |
| Machine functions intermittently | <ol style="list-style-type: none"> 1. Extension cable damaged. 2. Grass trimmer's internal wiring damaged. | <ol style="list-style-type: none"> 1. Inspect extension cable, replace if damaged. 2. Call customer service. |
| Machine labors | <ol style="list-style-type: none"> 1. Grass is too high. | <ol style="list-style-type: none"> 1. Cut in stages. |
| Machine is not cutting | <ol style="list-style-type: none"> 1. Line is too short/broken off. | <ol style="list-style-type: none"> 1. Feed the line manually/automatically. |
| Trimmer line can't be fed automatically | <ol style="list-style-type: none"> 1. Spool is empty. 2. Line inside the spool is entangled. | <ol style="list-style-type: none"> 1. Replace the spool. 2. Replace the spool. |

For replacement trimmer line spools, call FANTOM customer service at 1 (800) 275-9251 and ask for part # XSP180H.

SAFETY & WARNING INSTRUCTIONS

17. To reduce the risk of electrical shock, this unit has a polarized plug (one blade is wider than the other) and will require the use of a polarized extension cord. This unit plug will fit into a polarized extension cord only one way. If the plug does not fit, obtain a correct polarized extension cord. A polarized extension cord requires the use of a polarized wall outlet. This plug will fit into a polarized wall outlet only one way. If the plug does not fit, contact a qualified electrician to install the proper wall outlet. Do **NOT** change the unit plug, extension cord receptacle or extension cord plug in any way.
 18. Ground Fault Circuit Interrupter (GFCI) protection should always be provided on electrical circuits or outlets to be used for this unit.
 19. When using an extension cord, make sure that it is a cord that is heavy enough to carry the current that your unit will draw. An undersized extension cord will cause a drop in line voltage resulting in loss of power and overheating. The table below shows the correct size to use depending on the cord length and amperage rating.
- | | | |
|-----------------|-----------------------|-----|
| | Extension Cord Length | |
| | 25' | 50' |
| AMPERAGE RATING | WIRE SIZE (AWG) | |
| 1-10 AMPS | 18 | 16 |
20. Before each use, thoroughly inspect your unit for loose or damaged parts. Do **NOT** use until adjustments or repairs have been made.
 21. All guards and safety attachments must be installed properly before operating the unit.
 22. Use the unit in daylight or good artificial light.
 23. Keep all bystanders especially pets and children at least fifty (50) feet from the unit while using.
 24. To avoid unintentionally starting of the unit, do **NOT** carry plugged-in unit with your finger on the safety switch. Be sure the unit is unplugged.
 25. Always remain alert and use common sense when using this unit. To prevent injury to yourself and to others, **NEVER** use the grass trimmer when you are tired or ill.
 26. **DO NOT** operate this unit while under the influence of drugs, alcohol or medication.
 27. Wear safety glasses or goggles that are marked as meeting ANSI Z87.1 standards and ear/hearing protection when operating this unit. Wear a face or dust mask if the job is dusty.
 28. Do **NOT** over reach or use the grass trimmer from unstable surfaces such as ladders, trees, steep slopes, rooftops, etc. Keep proper footing and balance at all times.
 29. Wear heavy, long pants, boots, gloves and a long sleeve shirt. Do **NOT** wear loose clothing, jewelry, short pants sandals or go barefoot. Secure hair above shoulder level.
 30. Always release the On/Off trigger when cutting is delayed or when walking from one cutting location to another.
 31. When using the grass trimmer, always hold the unit with both hands. Keep a firm grip on the front handle and on the rear handle. **NEVER** hold the grass trimmer by the safety guard or use the safety guard as a handle.
 32. **NEVER** force the unit. It will do the job better and with less chance of injury at a rate for which it was designed.
 33. If you strike or become entangled with a foreign object, stop the unit immediately and check for damage. Do **NOT** operate the grass trimmer with loose or damaged parts.



WARNING

To reduce the risk of electrocution, keep all connections dry and off the ground. Do not touch the plug with wet hands.

SAFETY & WARNING INSTRUCTIONS

34. Maintain the grass trimmer with care. Use only manufacturer's replacement parts. Follow instructions for changing trimming line. Keep handles dry, clean and free from oil and grease. Always use a clean cloth when cleaning.
35. This appliance is double insulated to protect you from electrical shock.
36. Store the unit in a dry place either locked up or in a high shelf out of the reach of children to prevent unauthorized use or damage.
37. **NEVER** douse or squirt the unit with water or any other liquid. Keep handles dry, clean and free from debris. Clean after every use. See cleaning and storage section for further instructions.
38. Do **NOT** operate this unit in explosive atmospheres, such as in the presence of flammable liquids, gases or dust.
39. Maintain grass trimmer with care. Keep grass trimmer clean for best performance and to reduce the risk of injury.
40. When operating the grass trimmer, keep the extension cord behind the grass trimmer.
41. If the grass trimmer starts to vibrate abnormally, turn the unit off, remove the extension plug from the unit and allow the moving parts to stop rotating. Then inspect the grass trimmer for any damage or loose parts.
42. Use the grass trimmer **ONLY** in the upright position, with the cutting line near the ground as shown in the instruction manual. Never use the grass trimmer in any other position.
43. Do not work on a steep slope, always be sure of your footing. Please note that freshly cut grass is damp and slippery.
44. Use only the trimmer line supplied by the manufacturer. Never use metal cutting or fishing line.
45. After extending new trimmer line, return the unit to its normal operating position before turning the unit back on.
46. Never use the grass trimmer if the grass is wet.
47. Use only FANTOM replacement parts.
48. Use specified trimmer spool. Make sure that the spool is properly installed and all parts are securely fastened.
49. Check damaged parts – Before further use of the unit, a guard or other part that is damaged should be carefully checked to determine that it will operate properly and perform its intended function. Check for alignment of moving parts, binding of moving parts, breakage of parts, mounting, and any other condition that may affect its operation. A guard or other part that is damaged should be properly repaired or replaced by an authorized service center unless indicated elsewhere in this manual.

⚠ WARNING

SERVICING OF A DOUBLE-INSULATED APPLIANCE.

In a double-insulated product, two systems of insulation are provided instead of grounding. No grounding means are provided for a double-insulated product, nor should grounding means be added to the product. Servicing a double-insulated product requires extreme care and knowledge of the system and should be done only by qualified service personnel. Replacement parts for a double-insulated product must be identical to the original parts. A double-insulated product is marked with the words "double insulation" or "Double Insulated". Product may also be marked with symbol shown.



- ⚠ **WARNING:** Trimmer line throws objects violently. You and others can be seriously injured. Wear safety glasses, boots and leg protection. Keep body parts clear of rotating line.
- ⚠ **WARNING:** Disconnect unit from power source before performing maintenance or when changing the trimmer line.
- ⚠ **WARNING:** All electrical repairs to this unit, including housing, motor, etc., must be diagnosed by qualified service personnel. Replacement parts for a double insulated appliance must be recommended by the manufacturer.

OPERATING INSTRUCTIONS

Rewinding the Spool with Line

If you wish to rewind the spool yourself, replace with a nylon cutting line that is 0.05" diameter and 30-feet long. Use of heavier lines could overload and damage your grass trimmer.

To rewind trimmer line onto the spool:

1. Remove the empty spool from the grass trimmer following the instructions on page 7.
2. Cut the new nylon cutting line to the exact length.
3. Orient the two (2) holes on the bottom of the hub with Slot "A" on the line retainer. (Fig. 12)

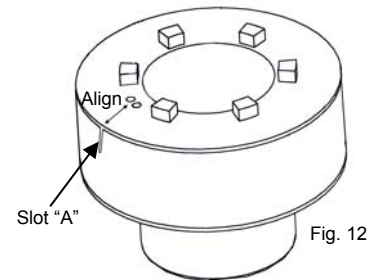


Fig. 12

4. Feed one end of the cutting line into the hole on the right side first. (Fig. 13) Take out about 4-inches and pull it until it comes out of Slot "B". (Fig. 14)

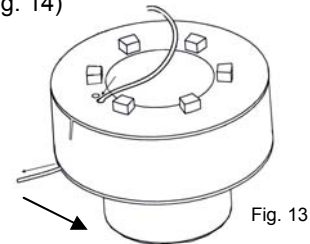


Fig. 13

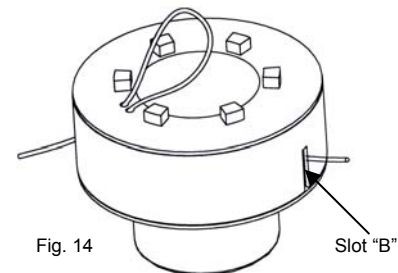


Fig. 14

Slot "B"

5. Bend 1/2-inch of the other end of the cutting line and feed through until it comes out of slot "A". (Fig. 15) Pull out about 4-inches.

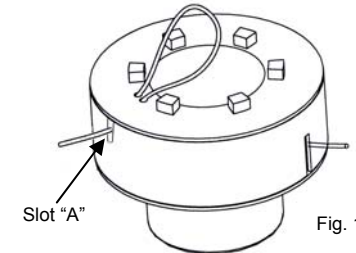


Fig. 15

6. Pull the ends of the cutting line alternately until you have it evenly distributed through the openings. (Fig. 16)

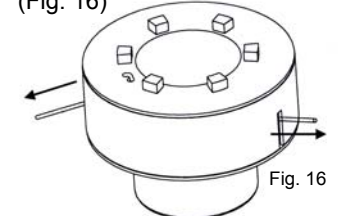


Fig. 16

7. When you have completely pulled the cutting line through the spool, hold the spool in your hand so that your thumb and fingers can be used as guides when winding the cutting line. Rotate the hub counter-clockwise until the line is wound around the spool. (Fig. 17) Make sure that you leave about 6-inches of the line on each side for the spool to function properly.

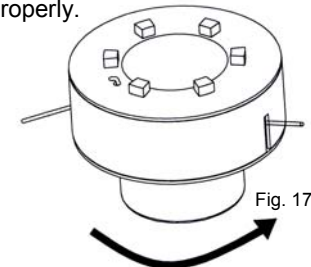


Fig. 17

8. Replace the spool back into the unit following the instructions on page 7.

Using the Grass Trimmer as an Edging Tool

To convert the grass trimmer to an edging tool:

1. Attach the extension cord to the grass trimmer.
2. Press the hand grip release button and turn the hand grip 180° counter clockwise. (Fig. 9)
3. Loosen the handle locking nut and turn the handle 180° clockwise also. Adjust this handle to a comfortable position to hold. (Fig. 9)
4. Press the safety trigger interlock and then squeeze the "On/Off" trigger.
3. Hold both the handgrip and the handle when using the grass trimmer as an edging tool.
4. Position the grass trimmer so that the edging guide wheel is on the ground making sure to keep it away from your body.
5. When edging long grass, work in stages from hard to delicate plants. If the grass trimmer starts to run slower, reduce the load.
6. When edging around trees or bushes, cut carefully so that the trimmer line does not come in contact with the bark as this can damage the tree or bush.

To change the unit back to a grass trimmer:

7. Press the hand grip release button and turn the hand grip 180° clockwise. (Fig. 9)
8. Loosen the handle locking nut and turn the handle 180° clockwise also. Adjust this handle to a comfortable position to hold. (Fig. 9)

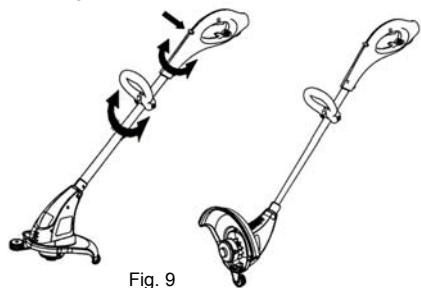


Fig. 9

Replacing the Trimmer Line Spool

WARNING: To avoid serious personal injury, be sure that the power cord is removed before cleaning or performing any kind of maintenance on the grass trimmer.

To replace the trimmer line spool:

1. Remove the power cord from the unit.
2. Place the unit on a flat surface.
3. Depress the locking tabs underneath the spool housing. (Fig. 10)
4. Lift off the spool cap. (Fig. 10)
5. Remove the trimmer line spool.
6. Remove the spring. (Fig. 10)

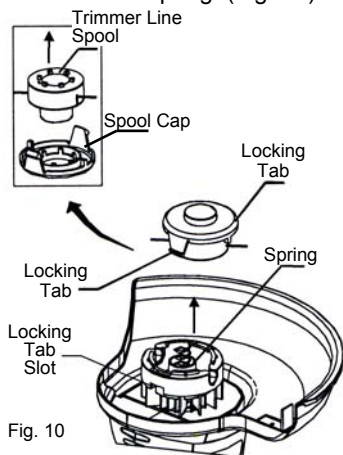


Fig. 10

To replace the trimmer line spool:

1. Replace spring into trimmer head. (Fig. 11)
2. Insert new trimmer line spool. (Fig. 11)
3. Insert spool cap over spool. (Fig. 11)
4. Push spool cap down into the housing, making sure that the trimmer line ends are in position in the slots until the spool cap snaps in place. (Fig. 11)

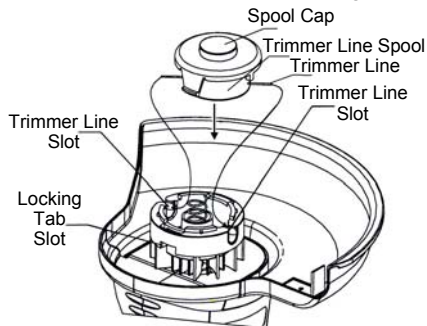
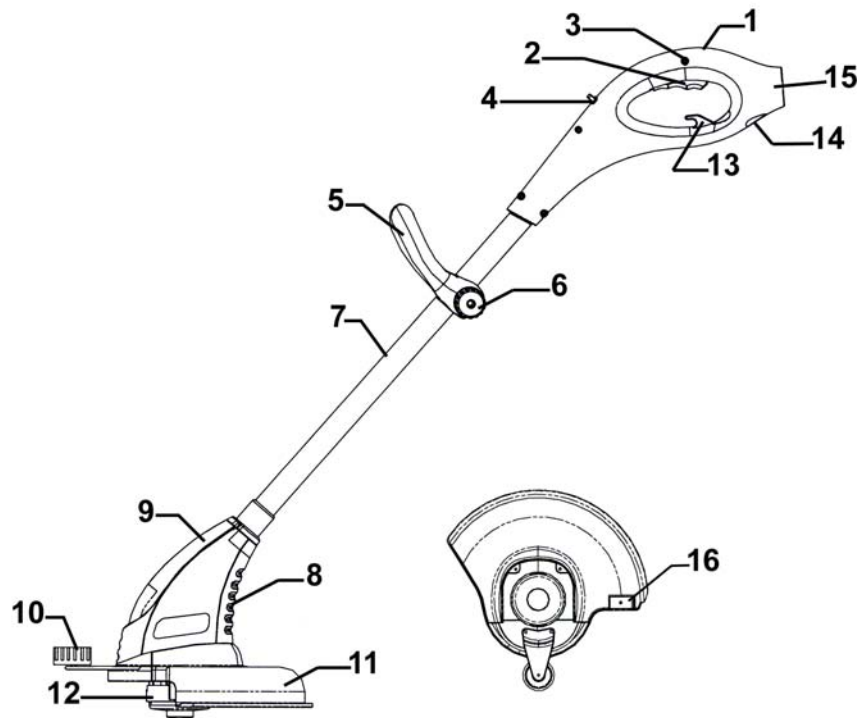


Fig. 11



- | | |
|-----------------------------|--------------------------|
| 1. Hand Grip | 9. Trimmer Head |
| 2. On/Off Trigger | 10. Edge Guide Wheel |
| 3. Trigger Safety Interlock | 11. Cutting Guard |
| 4. Hand Grip Release Button | 12. Spool Housing |
| 5. Handle | 13. Power Cord Holder |
| 6. Handle Locking Nut | 14. Power Cord Restraint |
| 7. Shaft | 15. Power Cord Connector |
| 8. Ventilation Slots | 16. Trimmer Line Cutter |

Illustrations may differ from actual product.

Technical Specifications

Voltage: 120 V., 60 Hz
Current: 3.8 Amps

OPERATING INSTRUCTIONS

Handle Assembly

WARNING: Do not connect the grass trimmer to the power source before the unit is completely assembled.

1. Place the unit on a flat surface.
2. Loosen and remove the locking nut from the handle.
3. Firmly push the handle over the shaft. (Fig. 1)
4. Adjust the handle to the most comfortable position.
5. Pass the bolt through the handle.
6. Screw in the locking nut into the bolt. Do not over tighten the bolt. (Fig. 2)

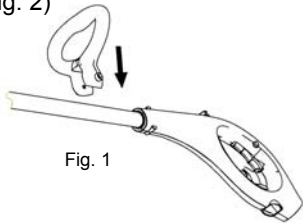


Fig. 1

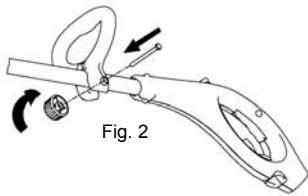


Fig. 2

Attaching the Cutting Guard

WARNING: Do not connect the grass trimmer to the power source before the unit is completely assembled.

1. Place the cutting guard onto the trimmer head. (Fig. 3)
2. Slide the cutting guard into place and then secure it with the two (2) screws provided. (Fig. 4)

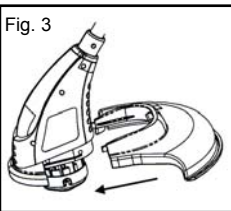


Fig. 3

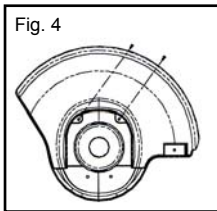


Fig. 4

Attaching the Cutting Guard

WARNING: Do not connect the grass trimmer to the power source before the unit is completely assembled.

1. Place the unit on a flat surface.
2. Slide the edging guide wheel into place and screw with the two (2) screws provided. (Fig. 5)

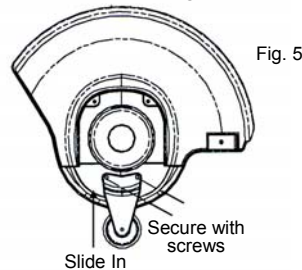


Fig. 5

Connecting the Grass Trimmer to the Power Source

WARNING: Do not connect the grass trimmer to the power source before the unit is completely assembled. To connect the grass trimmer to the power source:

1. Loop the extension cord cable through the power cord restraint and hook it over the power cord holder. (Fig. 6)
2. Connect the female plug of the extension cord to the power cord connector. (Fig. 7)
3. Insert the plug of the extension cord into the power outlet.

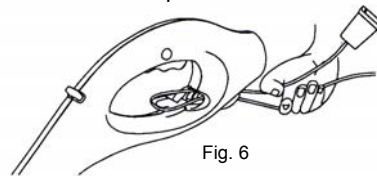


Fig. 6

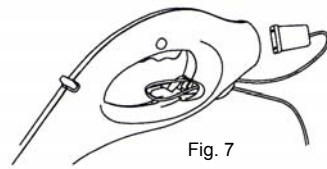


Fig. 7

WARNING: Use ONLY 2 conductor extension cords rated for outdoor use.

OPERATING INSTRUCTIONS

Turning the Grass Trimmer "On"

WARNING: Make sure that the cutting guard is attached to the grass trimmer before turning the unit "On".

WARNING: If any parts are missing, damaged or broken, **DO NOT** operate the grass trimmer until they have been replaced. Failure to do so could result in possible serious injury.

WARNING: To prevent serious personal injury, always hold onto the handgrip and the handle to prevent any slippage of the unit.

WARNING: To prevent serious personal injury, keep hands away from the trimmer head. **DO NOT** attempt to remove cut material or hold material to be cut when the grass trimmer is working.

WARNING: Clear the area to be cut before starting. Remove all objects such as cords, small rocks, lights, wire or string which may become entangled in the trimmer head.

1. Remove the tape holding the trimmer line to the spool housing.
2. Attach the extension cord to the grass trimmer.
3. Press on the trigger safety interlock and then squeeze the "On/Off" trigger.

WARNING: Never attempt to lock the safety trigger interlock in the "On" position.

4. To turn the unit "Off", release the On/Off trigger.

CAUTION: The trimmer line will continue to spin after the On/Off trigger is released. Wait for trimmer line to stop spinning before releasing your grip on the handle.

Advancing the Trimmer Line

1. Attach the extension cord to the grass trimmer.
2. Press on the trigger safety interlock and then squeeze the "On/Off" trigger.
3. While in operation, tap the trimmer head on bare ground or hard soil once or twice to advance the trimmer line to the correct length.

Note: The trimmer line will automatically advance to the correct cutting length.

WARNING: Do not alter or remove the trimmer line assembly. Excessive line length will cause the motor to overheat and may result in serious personal injury.

WARNING: To prevent serious personal injury, keep hands away from the trimmer head when advancing the trimmer line.

Using the Grass Trimmer

Note: For optimum results, only use the grass trimmer to cut dry grass.

1. Attach the extension cord to the grass trimmer.
2. Press the safety trigger interlock and then squeeze the "On/Off" trigger.
3. Hold both the handgrip and the handle when using the grass trimmer.
4. Gently swing the grass trimmer from side to side making sure to keep it away from your body. (Fig. 8) Make sure that you keep the grass trimmer parallel to the ground. Avoid pressing the trimmer head into the ground as this will scalp the grass and damage the grass trimmer.
5. When cutting long grass, work in stages from hard to delicate plants. If the grass trimmer starts to run slower, reduce the load.
6. When cutting around trees or bushes, cut carefully so that the trimmer line does not come in contact with the bark as this can damage the tree or bush.



Fig. 8

CAUTION: The trimmer line will continue to spin after the On/Off trigger is released. Wait for trimmer line to stop spinning before releasing your grip on the handle.

Free Manuals Download Website

<http://myh66.com>

<http://usermanuals.us>

<http://www.somanuals.com>

<http://www.4manuals.cc>

<http://www.manual-lib.com>

<http://www.404manual.com>

<http://www.luxmanual.com>

<http://aubethermostatmanual.com>

Golf course search by state

<http://golfingnear.com>

Email search by domain

<http://emailbydomain.com>

Auto manuals search

<http://auto.somanuals.com>

TV manuals search

<http://tv.somanuals.com>