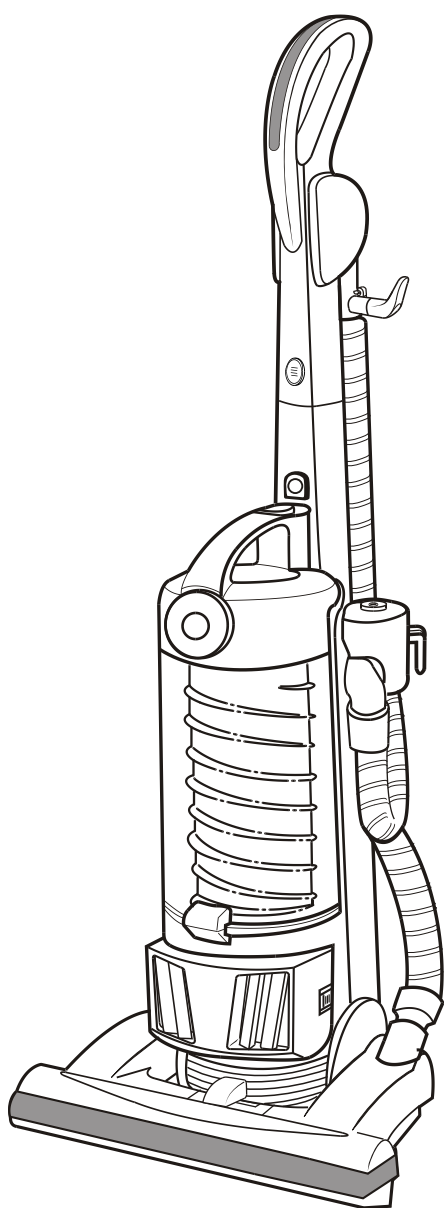


# FANTOM®

## INSTRUCTION MANUAL VACUUM CLEANER

## FM744H



### Contents

IMPORTANT SAFETY INSTRUCTIONS .....	1
NAME OF EACH PART .....	3
PREPARATION BEFORE USE .....	4
USING THE VACUUM CLEANER .....	6
USING THE ATTACHMENTS .....	8
AIR DRIVEN TURBO BRUSH .....	10
EMPTYING THE DUST COMPARTMENT .....	11
CLEANING THE FILTERS .....	12
CLEARING BLOCKAGES IN THE SUCTION HOSE AND CLEANING THE AGITATOR ASSEMBLY .....	13
REPLACEMENT INSTRUCTIONS .....	14
TROUBLESHOOTING .....	18
REPLACEMENT PARTS .....	18
LIMITED WARRANTY .....	19

**HOUSEHOLD AND COMMERCIAL USE**



# IMPORTANT SAFETY INSTRUCTIONS

When using an electrical appliance, basic precautions should always be followed, including the following.

## READ ALL INSTRUCTIONS BEFORE USING THIS VACUUM CLEANER

**WARNING** - To reduce the risk of fire, electric shock or injury:

1. Do not leave the vacuum cleaner when plugged in. Unplug it from the outlet when not in use and before servicing.
2. Do not use outdoors or on wet surfaces.
3. Do not allow vacuum cleaner to be used as a toy. Close attention is necessary when used by or near children or infirmed persons.
4. Use only as described in this manual. Use only the manufacturer's recommended attachments.
5. Do not use with a damaged cord or plug. If the vacuum cleaner is not working as it should, or if it has been dropped, damaged, left outdoors or dropped into water, return to FANTOM at 94 Main Mill Street, Door 16, Plattsburgh, NY 12901.
6. Do not pull or carry by the cord, use the cord as a handle, close a door on the cord, or pull the cord around sharp edges or corners. Do not run the vacuum cleaner over the cord. Keep the cord away from heated surfaces.
7. Do not unplug by pulling on the cord. To unplug, grasp the plug, not the cord.
8. Do not handle the plug or the vacuum cleaner with wet hands.
9. Do not put any objects into the openings. Do not use with any opening blocked: keep free of dust, lint, hair and anything that may reduce air flow.
10. Keep hair, loose clothing, fingers and all the parts of your body away from openings and moving parts.
11. Do not pick up anything that is burning or smoking, such as cigarettes, matches or hot ashes.
12. Do not use without dust compartment and filters in place.
13. Turn off all controls before unplugging.
14. Use extra care when cleaning on stairs.
15. Do not use to pick up flammable or combustible liquids such as gasoline, or use in areas where they may be present.

16. Do not touch the agitator while it is spinning.
17. Do not place any heavy items on top of the vacuum cleaner.
18. Do not step on the hose or pull it too strongly.
19. Do not pick up items such as pieces of waste paper or cloth which looks as though they may cause the hose to become blocked.
20. Do not clean or store the vacuum cleaner in places where there are high temperatures.
21. Store the vacuum cleaner away from excessive humidity.
22. When carrying the vacuum cleaner, hold it by the carrying handle.
23. Before servicing the vacuum cleaner, allow all internal metal parts to cool first.
24. Always place foot on handle release when adjusting the handle position of the vacuum cleaner.
25. If the supply cord of this appliance is damaged, it must only be replaced by FANTOM, because special purpose tools are required.
26. Connect to a properly grounded outlet only. See Grounding Instructions.

## SAVE THESE INSTRUCTIONS

This vacuum is intended for household or commercial use.

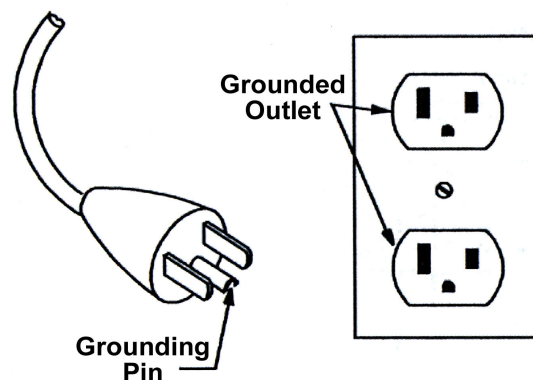
Note to user concerning attachment plug:

### Grounding Instructions

This appliance must be grounded. If it should malfunction or breakdown, grounding provides a path of least resistance for electric current to reduce the risk of electric shock. This appliance is equipped with a cord having an equipment-grounding conductor and grounding plug. The plug must be inserted into an appropriate outlet that is properly installed and grounded in accordance with all local codes and ordinances.

**WARNING** - Improper connection of the equipment-grounding conductor can result in a risk of electric shock. Check with a qualified electrician or service person if you are in doubt as to whether the outlet is properly grounded. Do not modify the plug provided with the appliance - if it will not fit the outlet, have a proper outlet installed by a qualified electrician.

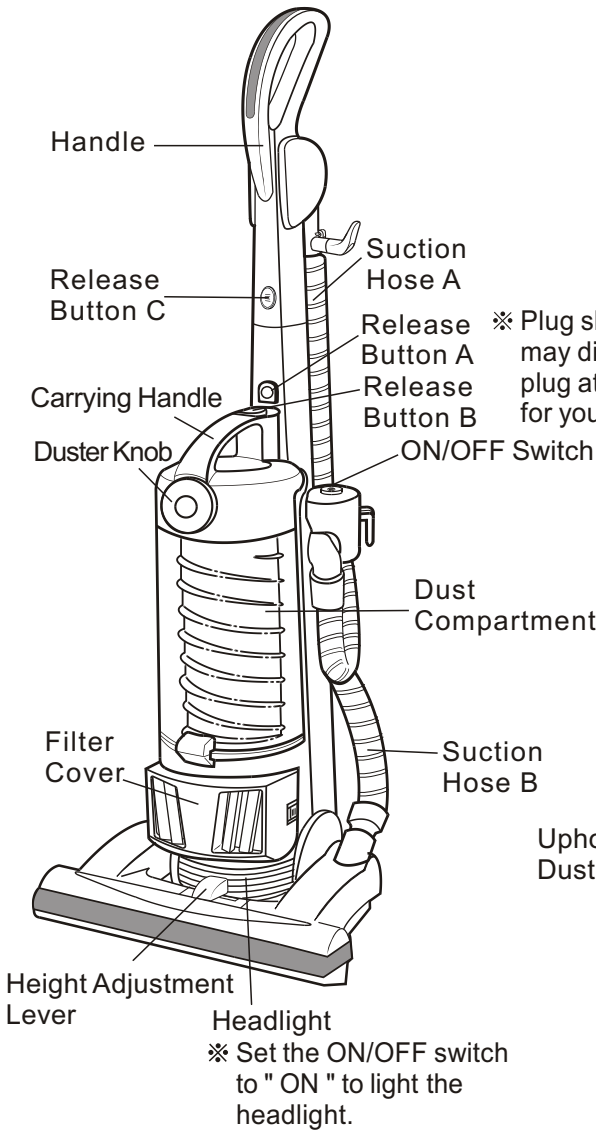
This appliance is for use on a nominal 120-volt circuit and has a grounding attachment plug that looks like the plug illustrated below. Make sure that the appliance is connected to an outlet having the same configuration as the plug.



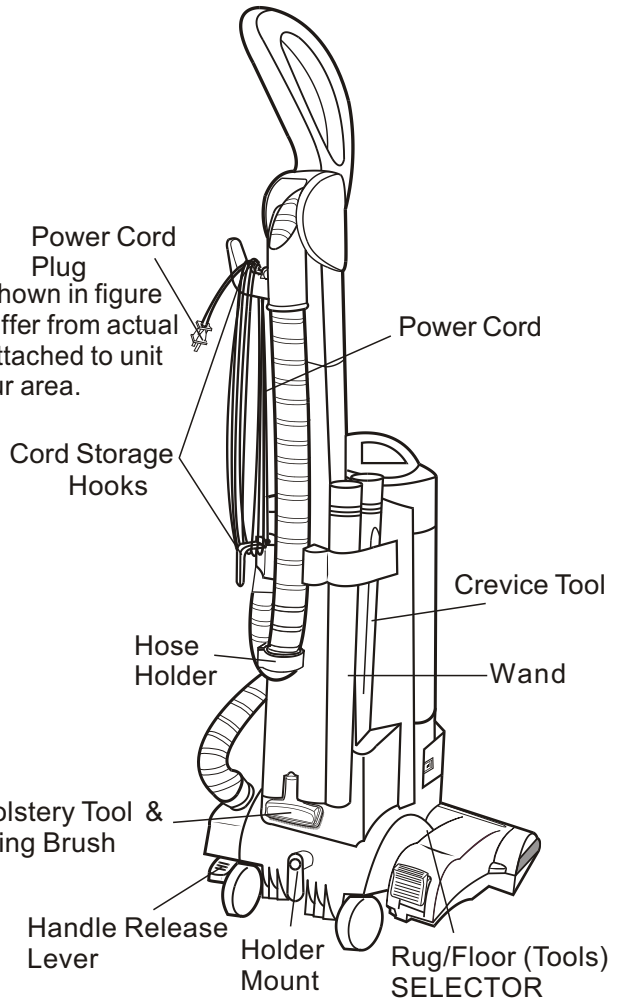
# NAMES OF EACH PART

**FRONT**

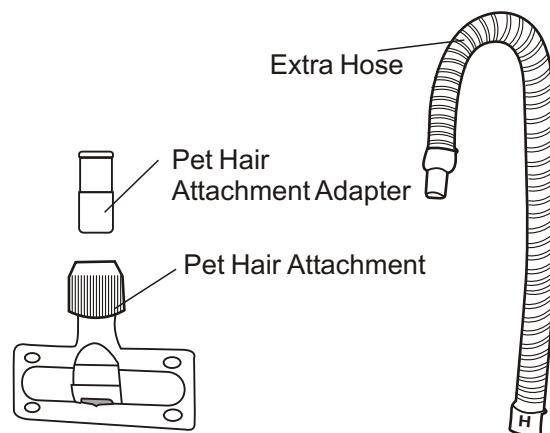
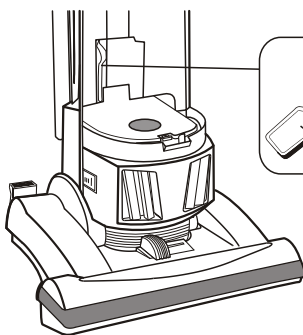
**REAR**



※ Plug shown in figure may differ from actual plug attached to unit for your area.



※ Set the ON/OFF switch to " ON " to light the headlight.



## WARNING:

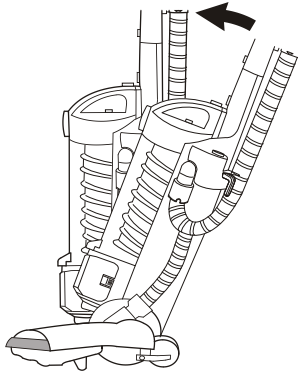
Operate vacuum cleaner only at the voltage specified on name plate.

# PREPARATIONS BEFORE USE

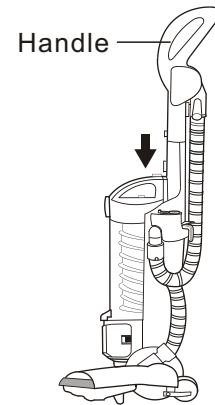
**Caution:** Do not connect the power cord plug to the wall outlet until assembly is completed.

## Attaching the handle

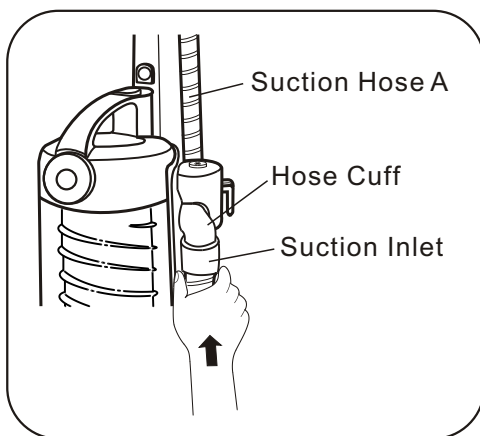
- 1** Set the vacuum cleaner to the upright position.



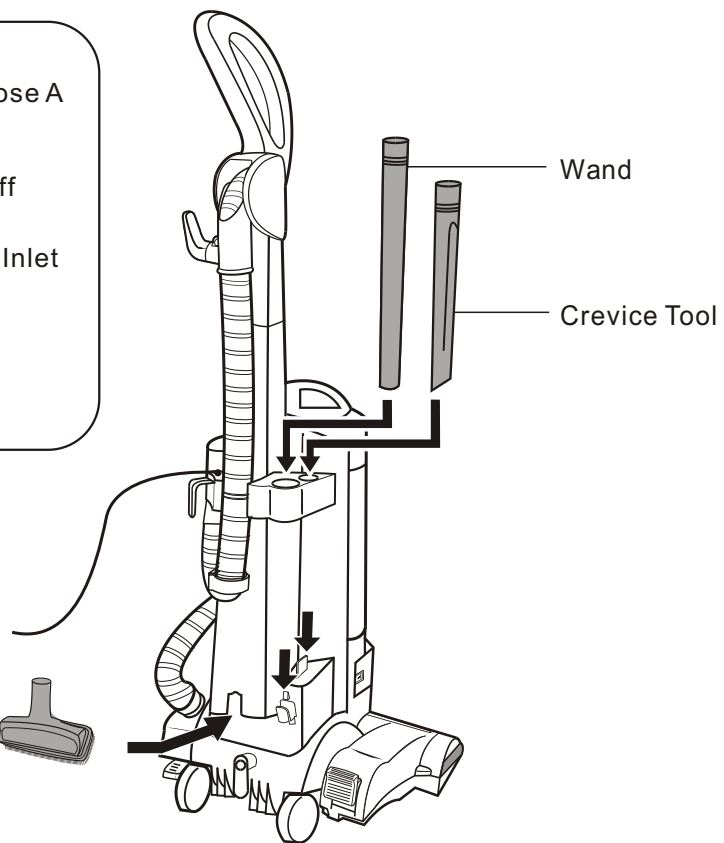
- 2** Insert the handle as shown in the illustration.



## Attaching the suction hose A & attachments



Upholstery Tool & Dusting Brush



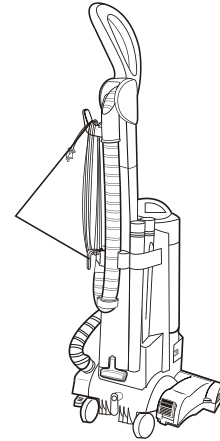
# PREPARATIONS BEFORE USE

## WINDING THE POWER CORD

- 1 Wind the power cord around the cord storage hooks.

- Secure the power cord plug on the power cord.

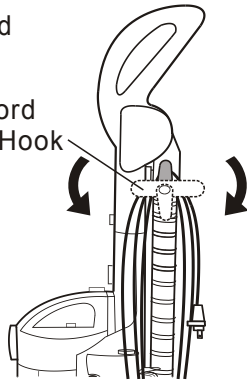
Cord Storage Hooks



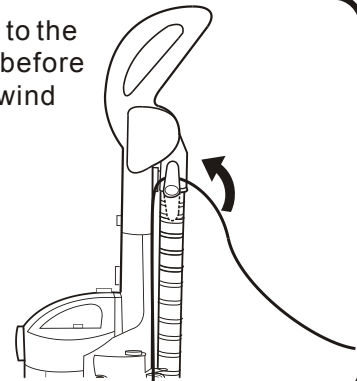
## RELEASING THE POWER CORD

- 1 Rotate the upper cord storage hook downward.

Upper Cord Storage Hook



- 2 Return the hook to the upright position before attempting to rewind the power cord.

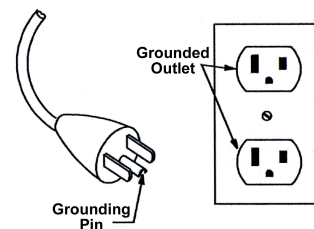


## THERMAL SAFETY DEVICE IN MAIN BODY

To protect your vacuum cleaner motor from overheating, a thermal safety device has been built in. If your vacuum cleaner hose or air intake clogs up with dust or dirt, or if your dust bag becomes full and you continue to run the machine, the vacuum will shut off automatically to prevent the motor from overheating. If this happens, turn off slide switch and disconnect your vacuum from power outlet, remove the material clogging the machine and let your vacuum cool down for approximately 45 minutes. You can then restart your vacuum cleaner and use it again.

## INSERTING THE POWER CORD PLUG

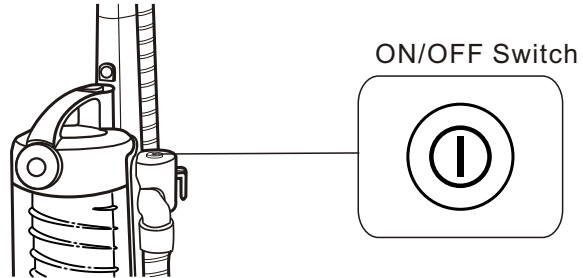
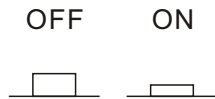
**WARNING:** This appliance is equipped with a grounded-type 3-wire cord (3-prong plug). This plug will only fit into an electrical outlet made for a 3-prong plug. This is a safety feature. If the plug should fail to fit the outlet, contact an electrician to replace the outlet. Do not attempt to defeat the safety purpose of the grounding pin, part of the 3-prong plug.



# USING THE VACUUM CLEANER

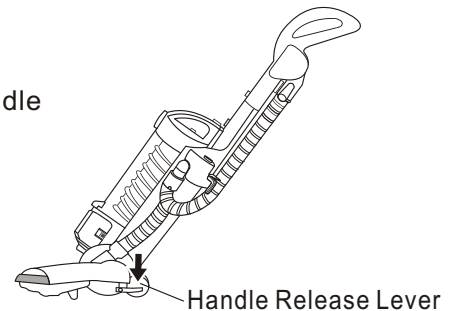
## ON/OFF SWITCH

- Start or stop vacuum cleaner by pushing on the switch.



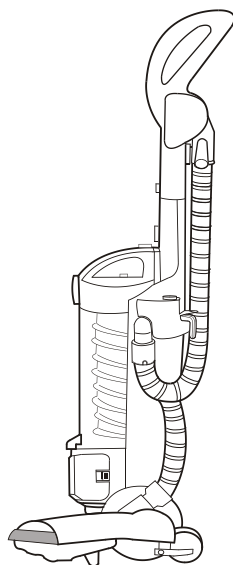
## ADJUSTING THE HANDLE

The handle of this vacuum cleaner can be set to one of three positions -Upright, Normal, Parallel. Place your foot on handle release lever as shown and pull back on the handle until it releases from its upright position.



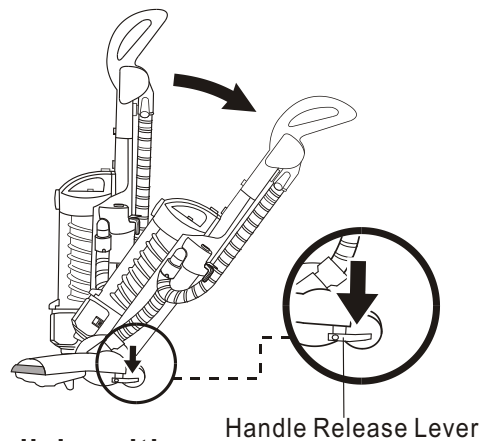
### Upright position

The handle is normally locked in this position for storage or when using the attachments. Push the handle forward until it locks.



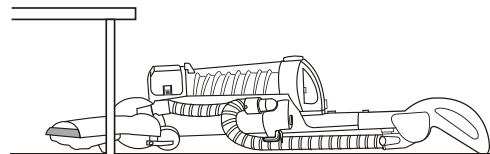
### Normal position

This position is used for normal cleaning.



### Parallel position

This position is used for cleaning under furniture.



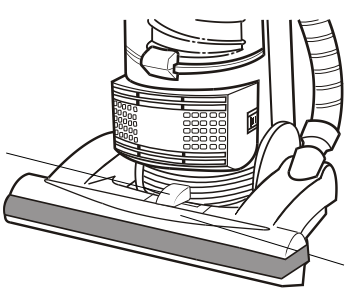
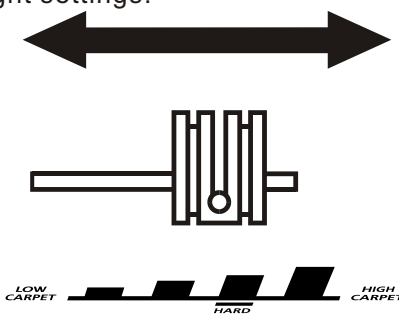


# USING THE VACUUM CLEANER

## HEIGHT ADJUSTMENT LEVER

Height Adjustment Lever


- The nozzle head can be adjusted to four different height settings.



Nozzle Head

**Caution:**  
Before using the height adjustment lever, please make sure the nozzle head is tilted backward from the floor.

**CARPET** Set the height adjustment to the appropriate carpet length.

**HARD FLOOR** Use the 3<sup>rd</sup> () height setting.

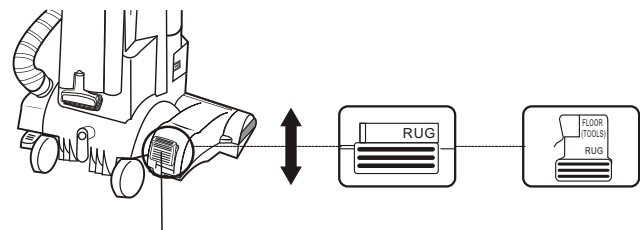
**ATTACHMENTS** **TURN OFF BRUSH ROLL WHEN USING TOOLS.**

## RUG/FLOOR (TOOLS) SELECTOR

The RUG/FLOOR(TOOLS) selector should only be adjusted while the vacuum cleaner is turned on and in the upright position.

**1** When cleaning a rug or carpet, first turn the ON/OFF switch to the ON position, and then set the RUG/FLOOR(TOOLS) selector to the RUG position.

**2** When cleaning a bare floor or when using one of the attachments, set the RUG/FLOOR (TOOLS) selector to the FLOOR position.



Rug/Floor (Tools) SELECTOR

**Caution:** Do not change the setting of the RUG/FLOOR(TOOLS) selector while the vacuum cleaner is turned off.

## EDGE CLEANING

This vacuum cleaner is equipped with an "edge cleaning" function for cleaning carpet edges near baseboards and stationary furniture.

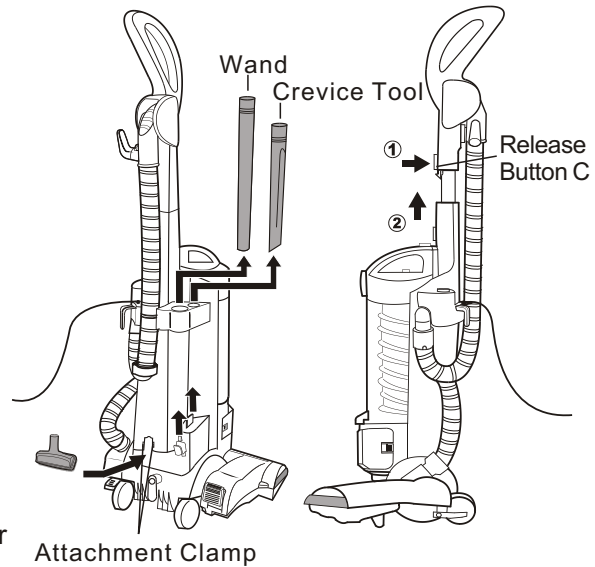
# USING THE ATTACHMENTS

**Caution:** When using one of the attachments during cleaning, set the vacuum cleaner to the upright position.

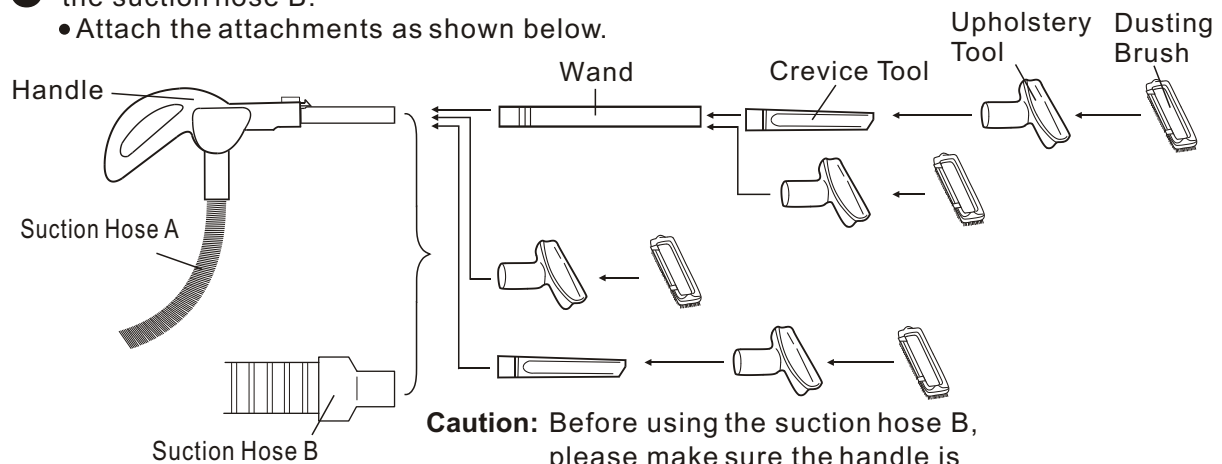
- 1** Remove the attachments from the vacuum cleaner.
- 2** Press the release button C to disconnect the handle from the vacuum cleaner.

**Caution:**

When removing the attachments, pull them in the directions shown in the illustration. Pulling them in the wrong direction or pulling them forcefully may cause damage to the attachment clamp.



- 3** Attach the attachments on the handle or the suction hose B.
  - Attach the attachments as shown below.

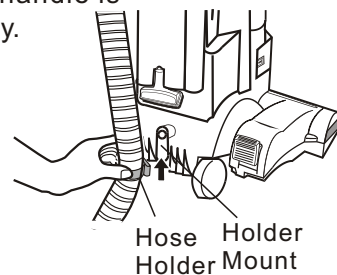


**Caution:** Before using the suction hose B, please make sure the handle is reattached on the body.

- Hook the hose holder onto the holder mount.

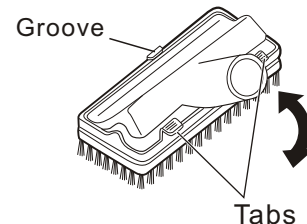
**Caution:**

Before using the attachments, please make sure the hose is hooked on the holder mount.



**Upholstery tool & Dusting brush**

- To detach the dusting brush from the upholstery tool: Press the tabs on the brush downward to remove it.
- To reattach the dusting brush to the upholstery tool: Insert the front of the upholstery tool under the hook on the front of the dusting brush. Press down on the back of the upholstery tool to snap it into place under the dusting brush tabs.



**When you have finished using the attachments, replace them in their original positions as shown on page 4.**

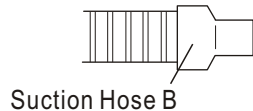
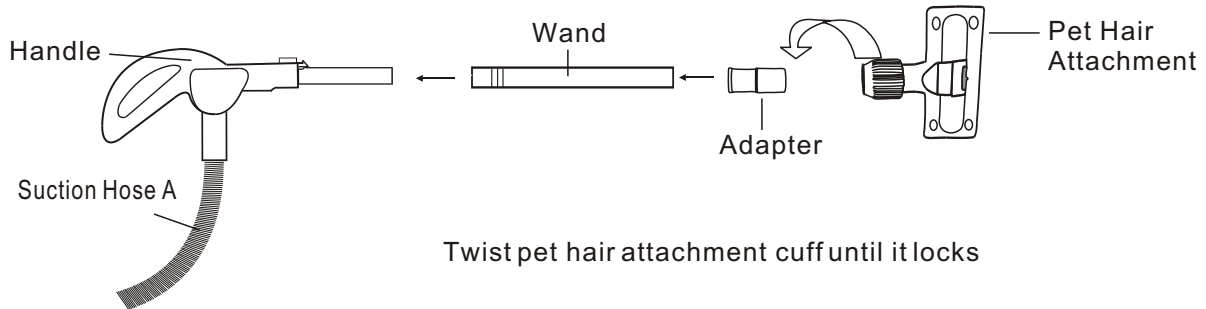
# USING THE ATTACHMENTS

**Caution:** When using one of the attachments during cleaning, set the vacuum cleaner to the upright position.

## Pet Hair Attachment

Assemble the attachments on the suction hose A or B.

- Assemble the accessories as shown below



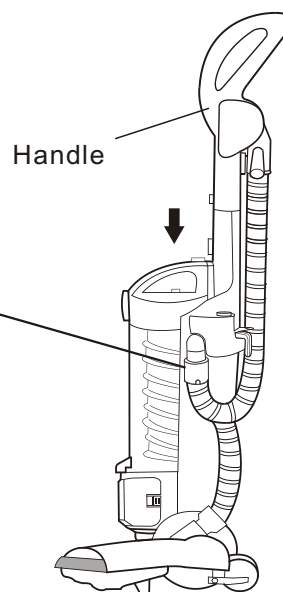
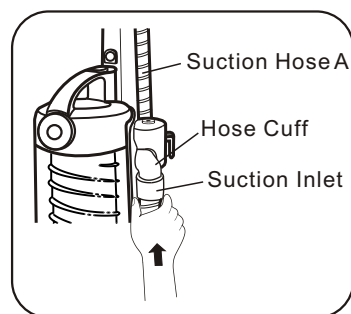
**Caution:** Before using the suction hose B, please make sure the handle is reattached on the body.

- 1 Press the release button C to disconnect the handle from the vacuum cleaner.
- 2 To attach the Pet Hair Attachment, twist the cuff on end of attachment onto the adapter until it locks, then slide adapter into wand or into Suction Hose B.
- 3 To remove the Pet Hair Attachment, twist the cuff on end of attachment and pull to release.

**WARNING:** Do NOT use Pet Hair Attachment on animals, this attachment is intended for household cleaning only.

## Hose Attachment

Line up notches  
push hose in till it  
clicks.



# AIR DRIVEN TURBO BRUSH

## Using the Unit With Air Driven Turbo Brush

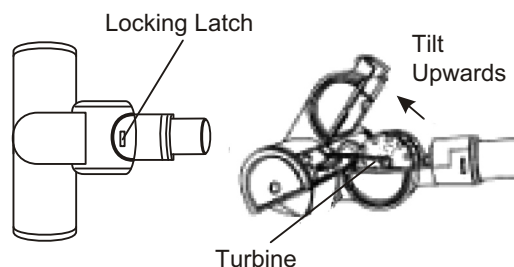
The efficiency of your Air Driven turbo brush depends on the bristle brush rotating at high speed. Strong air suction is needed to accomplish this. In order to ensure that maximum air suction is maintained, please read the following instructions:

1. Always empty the dust cup container frequently during use. Follow instructions on dust container.
2. Ensure that the rotating brush is kept free of hair and string which may accumulate and decrease brush performance.
3. Keep Air Driven Turbo Brush turbine free of dirt and foreign matter. (see illustration below for cleaning instructions.)

## Using The Unit With Air Driven Turbo Brush

Your Air Driven turbo Brush may be used with either the extension tubes or the flexible hose.

### Cleaning Air Driven Turbo Brush



From time to time, the turbine of your Turbo Brush will require cleaning. To do this:

1. Remove the turbo brush from the hose or extension tube.
2. Slide locking latch forward then tilt the top housing of the brush upwards. The top housing is hinged and will tilt up approximately 45° only.
3. There may be some dust, lint, hair, etc on the turbine wheel. Remove as much of this as possible.
4. You may also use the unit's hose with crevice tool attached and use the vacuum to remove any additional debris from the turbine.
5. Ensure that the turbine wheel moves freely by rotating it with your finger. If the turbine does not rotate, call FANTOM Customer Service for help.
6. Once clean, close the top cover of the Turbo Brush and slide the locking latch toward the rear of the brush to lock.

### **IMPORTANT**

### **TURBO BRUSH INSTRUCTIONS**

The efficiency of your Air Driven Turbo Brush depends on the bristle brush rotating at high speed. Strong air suction is needed to accomplish this.

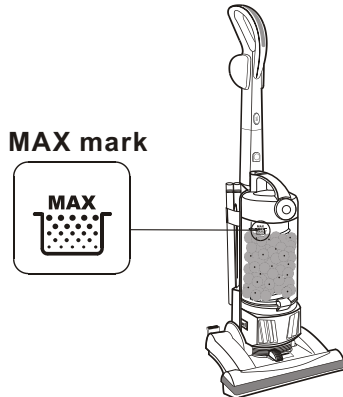
In order to ensure that maximum air suction is maintained, please read the following instructions:

- 1) Empty the Dust Container frequently during use. Follow instructions for dust container.
- 2) Ensure that the rotating brush is kept clear of hair and string.
- 3) Inspect the turbine regularly to ensure that the air passage is free of dirt and debris.

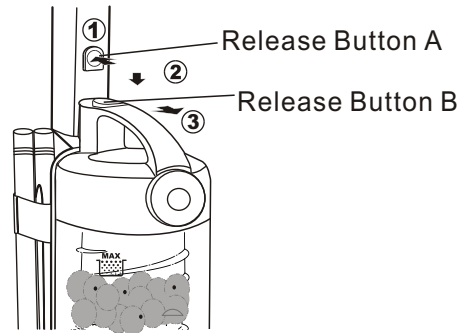
# EMPTYING THE DUST COMPARTMENT

**Caution:** Be sure to turn the ON/OFF switch to the "OFF" position and disconnect the power cord from the wall outlet before cleaning.

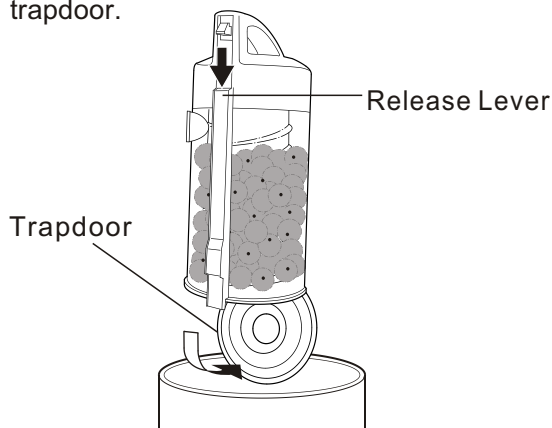
- 1** Empty the dust compartment when contents reach the MAX mark.



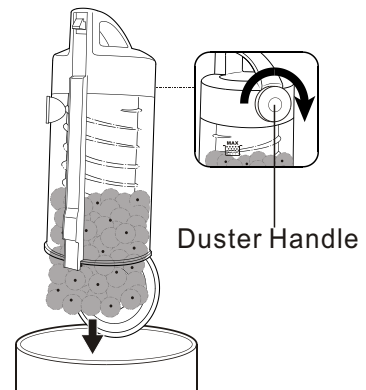
- 2** Press the release button A meanwhile press the release button B to remove the dust compartment.



- 3** Press the release lever to open the trapdoor.

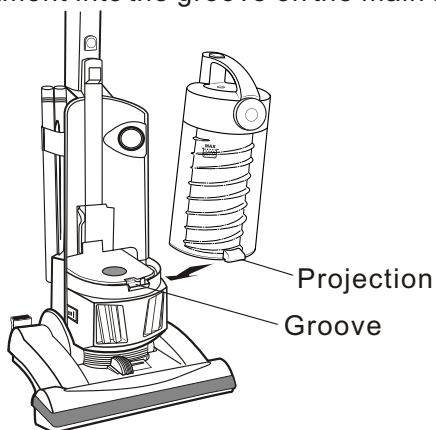


- 4** Turn the duster handle several times in the direction shown to empty the dust compartment.

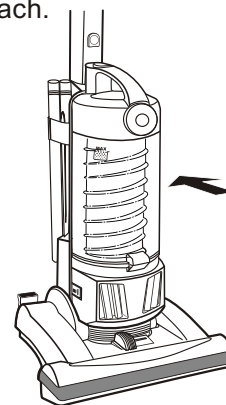


## Reattaching the Dust Compartment

- 1** Close the trapdoor and insert the projection on the dust compartment into the groove on the main body.



- 2** Push the dust compartment into the main body as shown to reattach.



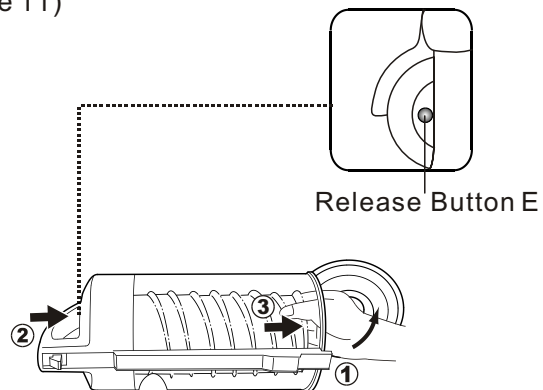
# CLEANING THE FILTERS

**1** Remove the dust compartment.(refer to page 11)

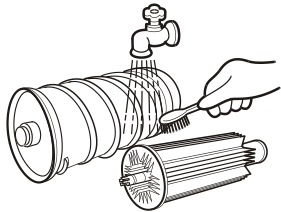
**2** Set the dust compartment to the parallel position. Open the trapdoor, then push the release button E and pull out the main filter.

- The main filter and prefilter will be removed at the same time.

**Caution: Do not push the release button E at the upright position. As this may drop or damage the main filter and prefilter.**



**3** Clean the main filter and prefilter with a soft-bristled brush (not included) and rinse with cold water. Allow both items to dry completely for 24 hours.



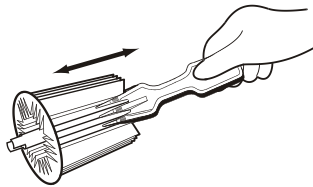
## Caution:

- Do not use a hard-bristled brush to clean filters. This may result in damage to the filters.
- Do not attempt to dry with a hair dryer or by placing in a clothes dryer. Hot air may cause the filters to warp.

## Cleaning Utensil

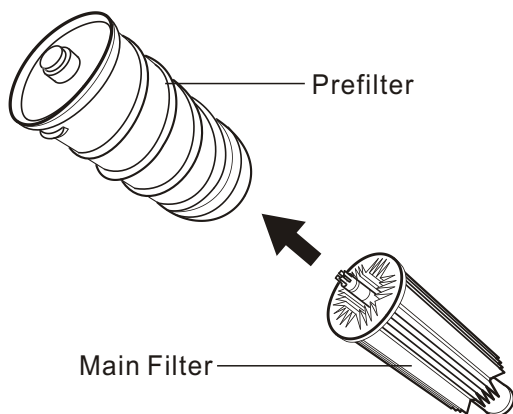
To maintain optimum suction power, the dust filter fins should be kept clean of dirt.

- Clean the filter fins free of dirt with the forked end of cleaning utensil as shown.



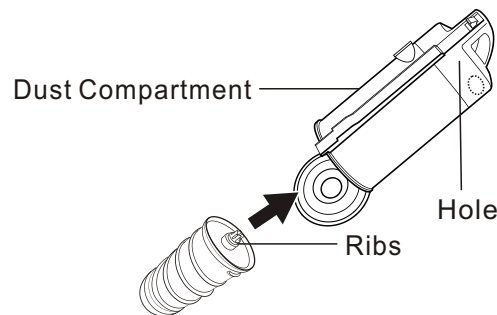
## Reattaching the filters

**1** Insert the main filter into the prefilter as shown.



**2** Hold onto the main filter and insert into the dust compartment.

- Align the ribs of the main filter to match the shape of the opening in the dust compartment and press firmly to insert.



**3** Close the trapdoor.

**NOTE:** We recommend replacing the main filter every three (3) to six (6) months, depending on the amount of use

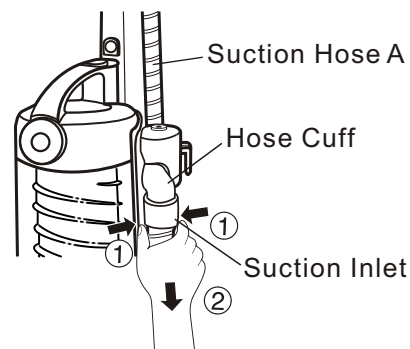
# CLEARING BLOCKAGES AND CLEANING THE AGITATOR ASSEMBLY

**Caution:** Be sure to turn the ON/OFF switch to the "OFF" position and disconnect the power cord from the wall outlet before clearing any blockages in the suction hose and cleaning the agitator assembly.

## Cleaning blockages

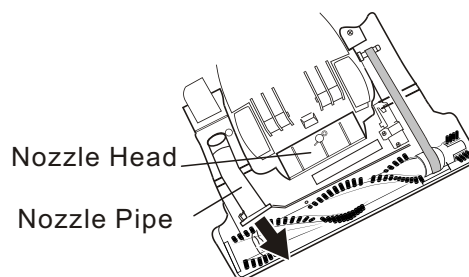
### Cleaning blockages in the suction hose A, B

- 1 Set the vacuum cleaner to the upright position.
- 2 Remove the hose cuff from the suction inlet and then remove any blockages from the hose.
- 3 Reattach the hose cuff to the suction inlet, and then operate the vacuum cleaner to check that the blockage has been properly cleared. If the hose is still blocked, the suction force will be weak.

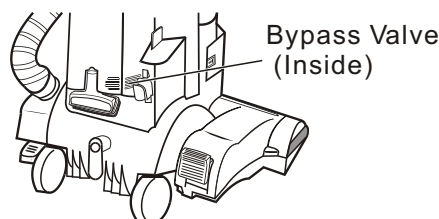


### Cleaning blockages in the nozzle head

- 1 Remove the bottom plate (refer to page 16)
- 2 Remove any blockages from the nozzle head.
- 3 Reattach the bottom plate to the nozzle head, and then operate the vacuum cleaner to check that the blockage has been properly cleared. If the nozzle head is still blocked, the suction force will be weak.



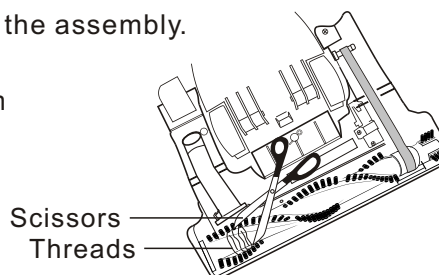
**Caution:** When the suction hose A, B or Nozzle head is blocked, the bypass valve will be opened automatically to protect the motor, resulting in the suction force being reduced. The bypass valve will be at its original position automatically after the blockage is removed.



## Cleaning the agitator assembly

When threads get caught in the agitator assembly, clean the assembly.

- Remove the bottom plate (refer to page 16)  
Remove threads caught in the assembly by cutting them with scissors.

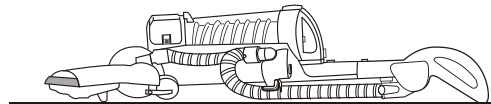


# REPLACEMENT INSTRUCTIONS

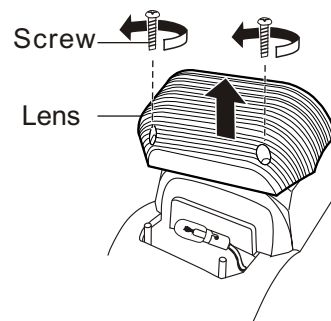
**Caution:** Be sure to turn the ON/OFF switch to the "OFF" position and disconnect the power cord from the wall outlet before replacing any of the parts below.

## REPLACING THE HEADLIGHT LAMP

- 1 Set the vacuum cleaner to the parallel position.

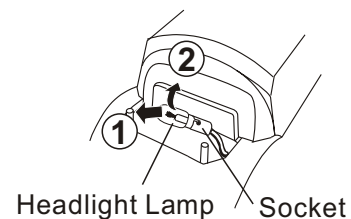


- 2 Loosen the screws to remove the lens.

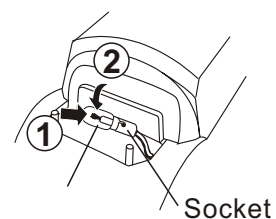


- 3 When removing the headlight lamp, be careful not to pull on the headlight lamp wiring.

- 4 Remove the lamp by pushing it gently in the direction of the arrow and then turning it counterclockwise.

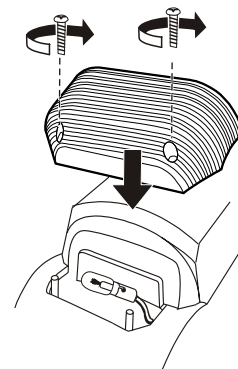


- 5 Push a new lamp gently into the socket and turn it clockwise to tighten it. Use a standard bayonet base appliance lamp rated at 120V and 15W (LAMP MAX.15W).



**Caution:** Be careful not to clamp the headlight lamp wiring.

- 6 Reattach the lens and fasten the screws.



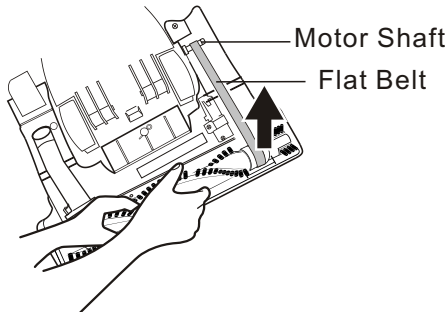


# REPLACEMENT INSTRUCTIONS

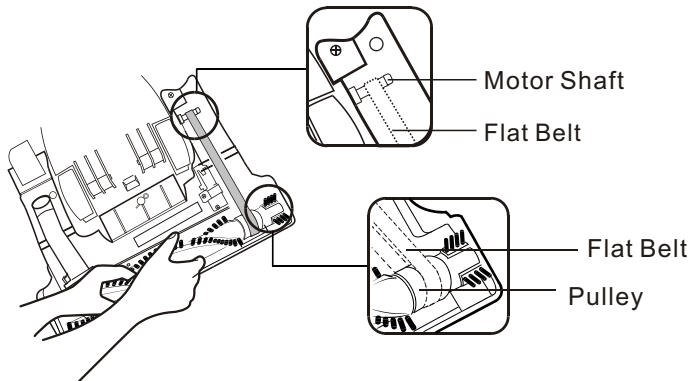
**Caution:** Be sure to turn the ON/OFF switch to the "OFF" position and disconnect the power cord from the wall outlet before replacing any of the parts below.

## REPLACING THE FLAT BELT

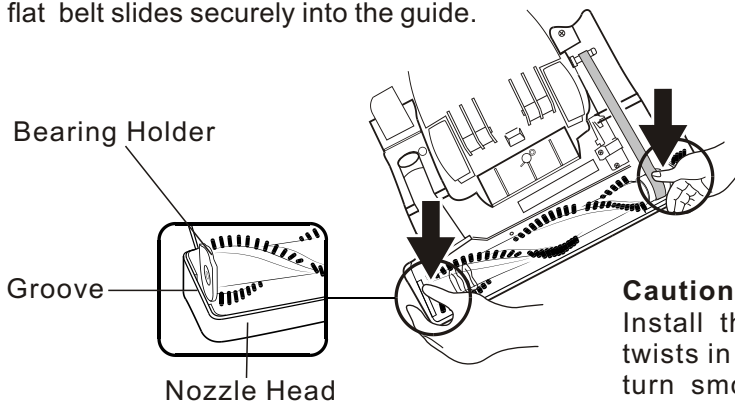
- 1** Remove the bottom plate.  
(refer to page 16)
- 2** Lift out the agitator assembly, and then remove the flat belt from the motor shaft and the agitator pulley.



- 3** Place a new flat belt onto the motor shaft and pulley.



- 4** Place the agitator assembly into the grooves in the nozzle head, making sure that the new flat belt slides securely into the guide.

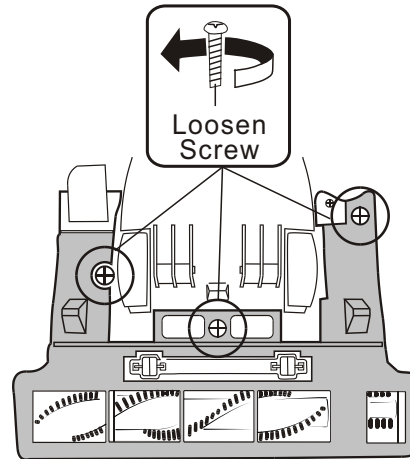


- 5** Reattach the bottom plate  
(refer to page 16)

# REPLACEMENT INSTRUCTIONS

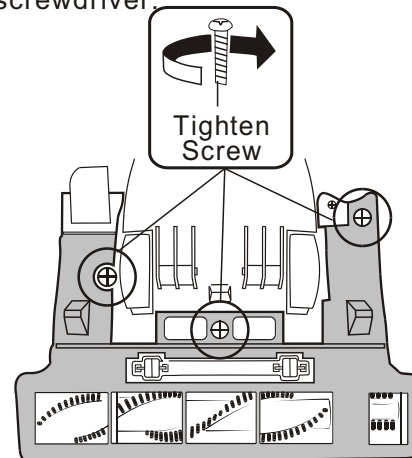
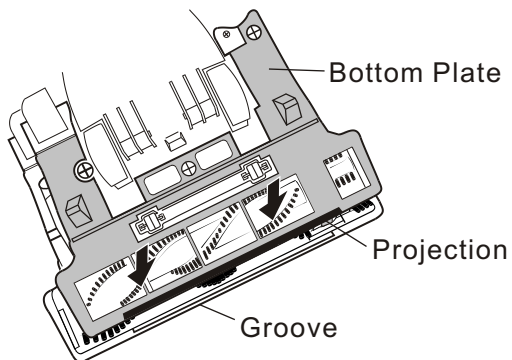
## REMOVING THE BOTTOM PLATE

- 1** Set the vacuum cleaner to the parallel position and turn it over.
- 2** Using a Philips screwdriver, loosen the screw on the bottom plate.
- 3** Lift the bottom plate off.

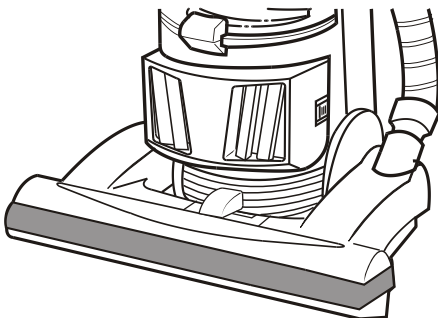


## REATTACHING THE BOTTOM PLATE

- 1** Insert the projection on the bottom plate into the groove on the nozzle housing and set the bottom plate in place.
- 2** Re-tighten the screw using a Philips screwdriver.



- 3** Turn the vacuum over and place in the upright position.

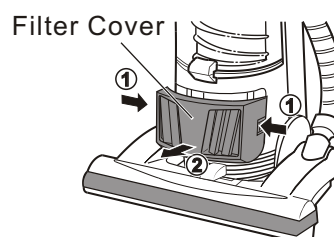


# REPLACEMENT INSTRUCTIONS

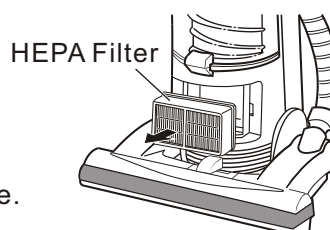
## REPLACING THE FILTER

Under normal usage, the HEPA Filter will require replacement once every three (3) months, however, vacuuming large amounts of extremely fine dust, powder or similar material over a long period of time may decrease airflow performance through the filter. If this occurs, it may become necessary to replace the HEPA Filter more often. Only use genuine FANTOM replacement filters.

- 1 Press in the locking tabs at points ① and pull the filter cover away from the vacuum cleaner.



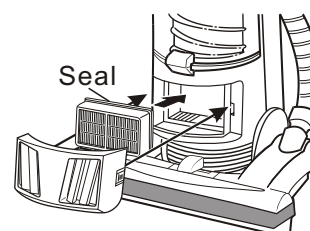
- 2 Remove the HEPA filter.



**Caution:**

- Do not attempt to wash the HEPA filter. Always replace the old filter with a new one.

- 3 Insert a new HEPA filter with the seal to the inside of the vacuum cleaner. Reattach the filter cover.



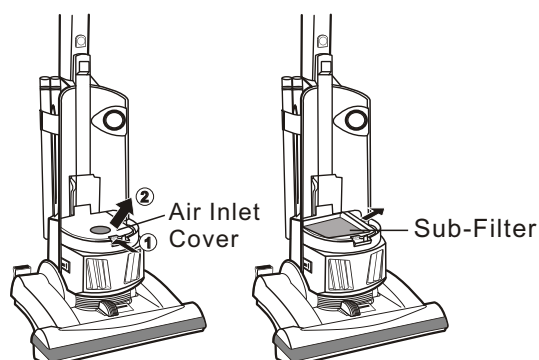
**Caution:**

- Be sure that seal on the HEPA filter is inserted towards the inside of the vacuum cleaner.
- The filter cover should be correctly oriented when it is reattached. Do not reattach it upside down.

## CLEANING THE SUB-FILTER

Clean the sub-filter when it becomes dirty.

- 1 Remove the dust compartment (refer to page 11). Remove the air inlet cover.
- 2 Remove the sub-filter from the vacuum cleaner.
- 3 Gently clean the sub-filter with water.
- 4 Make sure that it is completely dry and then re-install it into the vacuum cleaner. Replace the air inlet cover and the dust compartment.



**Caution:** Do not wash the sub-filter in a washing machine, and do not use any other equipment such as a hair dryer to dry it. Always allow 24 hours for drying. Do not operate the vacuum without the sub-filter. Be sure the sub-filter is dry and properly installed. Failure to do so could result in electrical shock, personal injury, or motor failure.

**Note:** We recommend replacing the sub-filter every three (3) to six (6) months, depending on usage.

# TROUBLESHOOTING

If there is a problem with the vacuum cleaner, carry out the following checks to find the cause. If the problem still persists after the checks have been made, do not use the vacuum cleaner to prevent the possibility of an accident occurring. Turn the ON/OFF switch to the "OFF" position, disconnect the power cord from the wall outlet, and contact FANTOM Customer Service at 1-800-275-9251.

Problem	Cause	Remedy
The motor does not operate when the ON/OFF switch is set to the "ON" position.	<ul style="list-style-type: none"> <li>• The power cord plug is not securely inserted into the wall outlet.</li> </ul>	<ul style="list-style-type: none"> <li>• Insert the power cord plug securely into the wall outlet.(refer to page 5)</li> </ul>
Suction force is weak.	<ul style="list-style-type: none"> <li>• The dust compartment is full.</li> <li>• The suction hose is blocked.</li> <li>• The nozzle head is blocked.</li> <li>• The filters are dirty.</li> <li>• The nozzle air inlet pipe is blocked.</li> <li>• The bypass vavle is opened.</li> </ul>	<ul style="list-style-type: none"> <li>• Empty the dust compartment. (refer to page 11)</li> <li>• Remove the blockage. (refer to page 13)</li> <li>• Remove the blockage. (refer to page 13)</li> <li>• Clean the filters. (refer to page 12) (refer to page 17)</li> <li>• Remove the blockage. (refer to page 13)</li> <li>• Remove the blockage. (refer to page 13)</li> </ul>
The agitator does not operate.	<ul style="list-style-type: none"> <li>• The flat belt is worn or broken.</li> </ul>	<ul style="list-style-type: none"> <li>• Replace the flat belt. (refer to page 15)</li> </ul>

TO ORDER REPLACEMENT FILTERS CALL 1-800-275-9251



### FIVE (5) YEAR LIMITED WARRANTY

FANTOM warrants this product to be free from defects in material and workmanship for a period of five (5) years from the date of the original purchase, when utilized for normal commercial or household use, subject to the following conditions, exclusions and exceptions.

If your appliance fails to operate properly while in use under normal household conditions within the warranty period, return the complete appliance and accessories, freight prepaid to

In US: FANTOM, 94 Main Mill Street, Door 16, Plattsburgh, N.Y. 12901

If the appliance is found by FANTOM to be defective in material or workmanship, FANTOM will repair or replace it free of charge. Proof of purchase date and \$19.95 to cover the cost of return shipping and handling must be included. \*

Non-durable parts including, without limitation, dust cup filters, filters, belts, brushes and electrical parts which normally require replacement are specifically excluded from warranty.

The liability of FANTOM is limited solely to the cost of the repair or replacement of the unit at our option. This warranty does not cover normal wear of parts and does not apply to any unit that has been tampered with or used for commercial purposes. This limited warranty does not cover damage caused by misuse, abuse, negligent handling or damage due to faulty packaging or mishandling in transit. This warranty does not cover damage or defects caused by or resulting from damages from shipping or repairs, service or alterations to the product or any of its parts, which have been performed by a repair person not authorized by FANTOM.

This warranty is extended to the original purchaser of the unit and excludes all other legal and/or conventional warranties. The responsibility of FANTOM if any, is limited to the specific obligations expressly assumed by it under the terms of the limited warranty. In no event is FANTOM liable for incidental or consequential damages of any nature whatsoever. Some states do not permit the exclusion or limitation of incidental or consequential damages, so the above may not apply to you.

This warranty gives you specific legal rights, and you may also have other rights which vary from state to state.

**\*Important: Carefully pack item to avoid damage in shipping. Be sure to include proof of purchase date and to attach tag to item before packing with your name, complete address and phone number with a note giving purchase information, model number and what you believe is the problem with item. We recommend you insure the package (as damage in shipping is not covered by your warranty). Mark the outside of your package "ATTENTION CUSTOMER SERVICE".**



### OWNERSHIP REGISTRATION CARD

Please fill out and mail the product registration card within ten (10) days of purchase. The registration will enable us to contact you in the unlikely event of a product safety notification. By returning this card you acknowledge to have read and understood the instructions for use, and warnings set forth in the accompanying instructions.

RETURN TO FANTOM, 94 Main Mill Street, Door 16, Plattsburgh, N.Y. 12901

Model FM744H

Appliance model

Date purchased Name of store

Owner's name

Address City State Zip Code

Printed in China

## Free Manuals Download Website

<http://myh66.com>

<http://usermanuals.us>

<http://www.somanuals.com>

<http://www.4manuals.cc>

<http://www.manual-lib.com>

<http://www.404manual.com>

<http://www.luxmanual.com>

<http://aubethermostatmanual.com>

Golf course search by state

<http://golfingnear.com>

Email search by domain

<http://emailbydomain.com>

Auto manuals search

<http://auto.somanuals.com>

TV manuals search

<http://tv.somanuals.com>