

Garmin®

**MARINE
INSTRUMENTS**



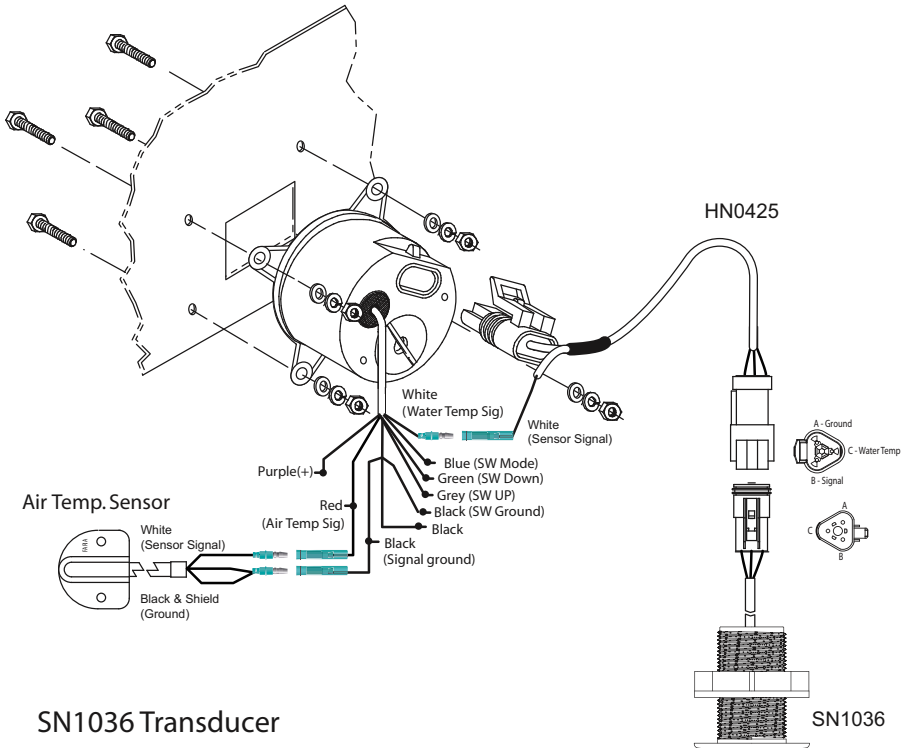
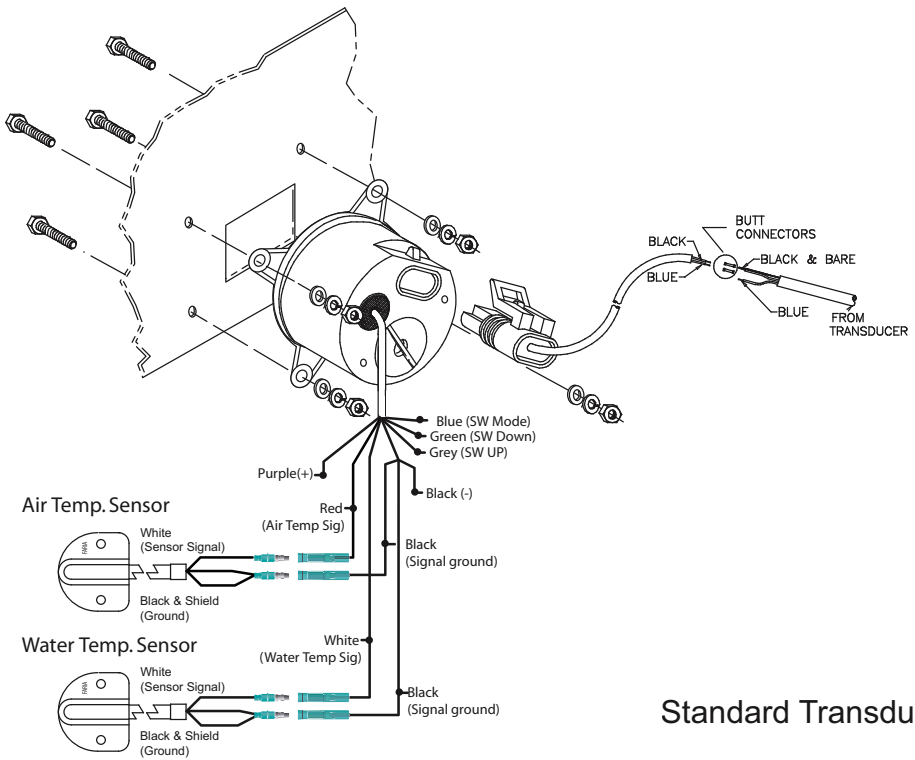
Owner's Manual

Digital Depth Sounder with Dual Temperature (Flush Mounted, Remotely Switched)

- Digital Depth Sounder displays depth in feet and meters
- Shallow and Deep Water alarms
- Alarms are Audio and Visual
- Programmable Keel Offset

IS0246

rev. A ecr# 6875 4/2007



WARNING: The depth sounder is not to be used for navigation or as a device to avoid grounding which may result in boat damage or personal injury. Always use caution operating in shallow areas and maintain a very slow speed. Be aware that depths may change too quickly for you to react and avoid grounding.

CAUTION: Disconnect the battery during installation. Tighten nuts on the back-clamp only slightly more than you can tighten with your fingers. **Six inch-pounds** of torque are sufficient. Over-tightening could result in damage to the instrument and may void your warranty.

1. It is recommended that insulated wire terminals, preferably ring type, be used on all connections to the power source.
2. Connect any one of the black wires to the boat's electrical ground, usually available at several locations near the instrument panel.
3. Connect the purple wire to a 12 Volt DC circuit that is activated by the ignition switch.
4. Connect a second black wire to the water temperature sensor ground.
5. Connect the white wire to the water temperature white sensor signal wire.
6. Connect a third black wire to the air temperature sensor ground
7. Connect the red wire to the air temperature white sensor signal wire.
8. Follow the enclosed instructions for installing the transducer with the adhesive supplied.
9. Connect the blue wire to the "Mode" switch positive terminal.
10. Connect the green wire to the "Down" switch positive terminal.
11. Connect the grey wire to the "Up" switch

positive terminal.

12. Connect a black wire (ground) to each of the switch negative terminals.

13. Once the transducer is installed and you have lead the cable to the depth sounder, connect the three wires (black, blue, and bare) from the transducer to the corresponding colored wires of the connector plug using the butt connectors supplied. (See Illustration)

NOTES:

1.) The bare and black wire from the transducer will need to be twisted together and then both connected to the black wire of the plug.

The butt connectors have a heat activated waterproofing. When the butt connections have been crimped, slowly apply heat with a heat gun until you see sealant coming out of the connector ends. It is recommended to wrap the connections together with electrical tape for further protection. Plug the connector into the rear of the depth sounder.

2.) If the transducer cable is not connected properly or not plugged into the depth sounder, or the boat is not in the water, the display will blink when the power is applied to the unit.

3.) (If not part of the Transducer) Mount the Water temperature sensor as low as possible on the transom.

4.) Mount the Air temperature sensor anywhere in the boat other than the engine compartment. For best results place sensor away from direct sun light.

General description:

1. The depth sounder will display depth of 3 feet to 199 feet. If the reading is less than 19.9 feet, 1/10th increments will be displayed. If the reading is more than 19.9 feet, all readings will be in whole numbers.

2. The depth sounder has an audible and LCD displayed depth alarm with adjustable

shallow and deep limits and a depth below keel offset feature. These settings once made are stored in memory and will remain even if the battery is disconnected.

Operation:

1. **Power on.** The depth sounder will activate automatically when the power to it is initially turned on. You do not have to press any key. The LCD will illuminate showing the depth in the upper display. The lower display will show a “W” and water temperature.

Press the “Up” switch and the lower display will change to an “A” and the air temperature will be displayed.

Press the “Down” switch to return to the water temperature display. To turn the depth sounder off, press and hold the “Mode” switch for 4 seconds. Pressing the “Mode” switch again will reactivate the unit.

NOTE: The instrument is designed to have the internal LED lighting remain on as long as power is supplied even if the unit is turned “off” by the “Mode” switch.

2. Depth alarm.

Deep mode: Pressing the “Mode” switch again displays the “DEEP”, deep depth alarm setting. This is the deepest water that will activate the alarm. Press and hold the “Up” or the “Down” switch to adjust the reading to the desired depth.

Shallow mode: Press the “Mode” switch to display the “SHAL”, shallow depth alarm setting. This is the shallowest water that will activate the alarm. Press and hold the “Up” or the “Down” switch to adjust the reading to the desired depth.

When the depth of the water is less than the shallow depth alarm setting the audible alarm will sound rapidly. When the depth of the water is deeper than the deep depth alarm setting the audible alarm will sound at 2 beeps per second.

NOTE: To fully deactivate an alarm, reset it to

zero. Pressing the “Mode” switch temporarily deactivates the alarm. To reactivate the alarm press the “Mode” switch until the depth reading appears.

3. **Keel offset.** Pressing the “Mode” switch again displays the “KEEL,” keel offset setting. This can be set so that the depth sounder either shows the depth below the keel or the depth below the transducer.

Press the up or down arrow switches to adjust the reading to the desired depth no more than 19.9 ft.

For example if the bottom of the keel is 2.5 feet below the transducer and you want the depth sounder to read the depth below the keel, the display should be adjusted to read 2.5 FT.

NOTE: Once a keel offset is programmed, the shallow and deep alarms will be activated by the depth below the keel.

Units:

Change the unit of measure. The lower display will show “UNIT” and the upper display will show either “US” or “EURO” for metric units. Pressing the up or down switches will cycle through the choices.

Pressing the “Mode” switch will save the units shown in the display and change the display

Back to the normal depth mode. There will be no units shown in the displays. It will be up to the operator to determine the units from the temperature reading.

Display Sequence

Press and Hold the "Mode" switch for 4 seconds to turn off the Depth Sounder.

(The Temperature will still display until Power Off.)



Quick Press the "Mode" switch to move between the screens.



Depth and Water Temperature



Depth and Air Temperature



Use the "Up" or "Down" switches to change settings.



Use the "Up" or "Down" switches to set the Shallow Alarm depth.



Use the "Up" or "Down" switches to set the Deep Alarm depth.



Use the "Up" or "Down" switches to adjust the Keel Offset.

US Standard Units.

Metric Units.



Use the "Up" or "Down" switches to change between unit types.



Copyright 2007 by the Thomas G. Faria Corporation, Uncasville CT No part of this publication may be reproduced in any form, in an electronic retrieval system or otherwise, without the prior written permission of the company. Faria® is the trademark of the Thomas G. Faria Corporation

Download from Www.Somanuals.com. All Manuals Search And Download.

Free Manuals Download Website

<http://myh66.com>

<http://usermanuals.us>

<http://www.somanuals.com>

<http://www.4manuals.cc>

<http://www.manual-lib.com>

<http://www.404manual.com>

<http://www.luxmanual.com>

<http://aubethermostatmanual.com>

Golf course search by state

<http://golfingnear.com>

Email search by domain

<http://emailbydomain.com>

Auto manuals search

<http://auto.somanuals.com>

TV manuals search

<http://tv.somanuals.com>