

Split System Air Conditioner

1½ through 5 Tons • 208/230 Volt, 1-Phase, 60 Hz

Efficiency rating of 13 SEER and 14 SEER • Models C18 through C60

JOB NAME: _____ **LOCATION:** _____

PURCHASER: _____ **ORDER NO:** _____

ENGINEER: _____

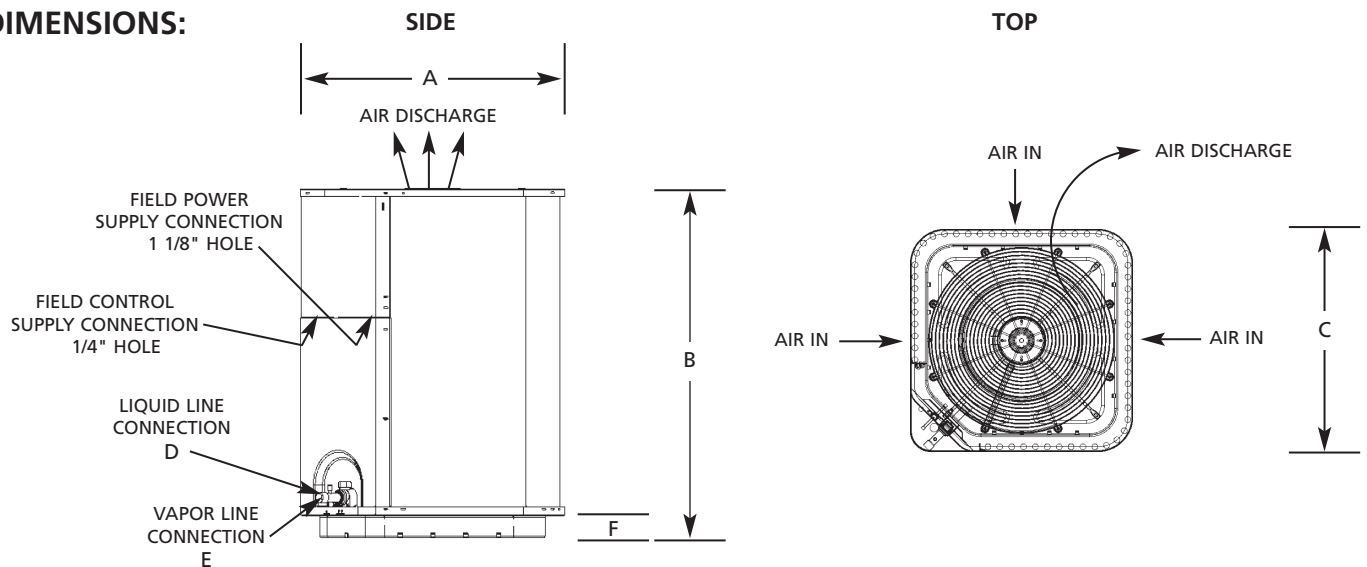
SUBMITTED TO: _____ **FOR:** _____

REF: _____ **APPROVAL:** _____ **CONSTRUCTION:** _____

SUBMITTED BY: _____ **DATE:** _____

UNIT DESIGNATION: _____ **SCHEDULE NO:** _____ **MODEL NO:** _____

DIMENSIONS:



| DIMENSIONS IN INCHES | | | | | | |
|----------------------|--------|--------|--------|-----|-------|-------|
| MODELS | A | B | C | D | E | F |
| C18ABD1VF | 21 1/2 | 26 1/2 | 21 1/2 | 3/8 | 3/4 | 2 1/2 |
| C24ABD1VF | 21 1/2 | 26 1/2 | 21 1/2 | 3/8 | 3/4 | 2 1/2 |
| C30ABD1VF | 21 1/2 | 32 1/2 | 21 1/2 | 3/8 | 7/8 | 2 1/2 |
| C36ACD1VF | 29 1/2 | 32 1/2 | 29 1/2 | 3/8 | 7/8 | 2 1/2 |
| C42ACD1VF | 29 1/2 | 32 1/2 | 29 1/2 | 3/8 | 7/8 | 2 1/2 |
| C48ACD1VF | 29 1/2 | 32 1/2 | 29 1/2 | 3/8 | 7/8 | 2 1/2 |
| C60ACD1VF | 29 1/2 | 39 | 29 1/2 | 1/2 | 1 1/8 | 2 1/2 |



Rated in Accordance with ARI Standard 210.
Certification Applies Only When Used with Proper Components as Listed with ARI.
Additional rating information can be found at www.aridirectory.org



Split System Air Conditioner

PRODUCT DATA

COOLING PERFORMANCE

Total Capacity _____ MBH

Sensible Capacity _____ MBH

Outdoor Design Temp _____ °F

ELECTRICAL DATA

Power Supply _____ / _____ / _____

Total Unit Ampacity _____ AMPs

Power Input Req _____ KW

Minimum Wire Size _____ AWG

Maximum Overcurrent Device

Fuses Circuit Breaker

UNIT WEIGHT

Unit Weight _____ LBS

STANDARD FEATURES:

- Factory-installed liquid line filter drier
- Long-life enhanced copper tubes and aluminum fins
- State-of-the-art high efficiency compressors
- Large, wrap-around coil surface
- Full louvered panel to protect coil
- Galvanized steel exterior cabinet with 1,000-hour salt-spray and powder-coated finish
- Powder-coated fan guard
- Formed base with 2 1/2" ground clearance
- Factory-charged with R-22 refrigerant
- Only 3 screws to access electrical controls
- Easy access to service valves
- Compact design

NOTES:

Free Manuals Download Website

<http://myh66.com>

<http://usermanuals.us>

<http://www.somanuals.com>

<http://www.4manuals.cc>

<http://www.manual-lib.com>

<http://www.404manual.com>

<http://www.luxmanual.com>

<http://aubethermostatmanual.com>

Golf course search by state

<http://golfingnear.com>

Email search by domain

<http://emailbydomain.com>

Auto manuals search

<http://auto.somanuals.com>

TV manuals search

<http://tv.somanuals.com>