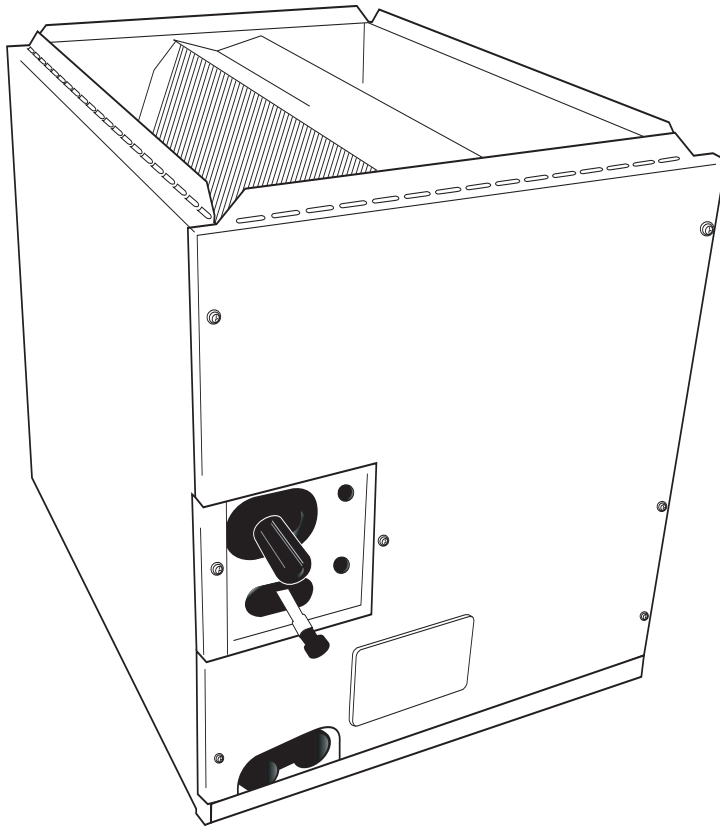


AC1A Series Cased A-Coil

Upflow/Downflow, 1½ thru 5 Tons



Fedders Cased Coils for use with the cool only condensing unit. This reliable matching cased coil was designed to compliment the Fedders full system. The coils are available for use in R-22 systems. They are housed in a durable gauge painted cabinet and fully insulated for quiet, efficient operation.

Performance:

Rated in accordance with ARI Standard 210/240
A-Coils offer low pressure drops to enhance system performance and airflow characteristics

Quality Built:

Coils have sweat fitting refrigerant connections
Widths match flush with Fedders gas furnaces
Primary and secondary condensate drain connections are 3/4" F.P.T. – Flush Mounted
Condensate drain pan is constructed of high grade, heat resistant, corrosion free material
Copper tube aluminum fin coil
All evaporators are factory leak-tested, dehydrated, sealed and shipped with holding charge
Pressure taps on suction and liquid line
TXV is standard on all coils
R4.0 insulation value in case
All drain pans are compatible with UV lights
Limited 5-year warranty



Rated in Accordance with ARI Standard 210/240.
Certification Applies Only When Used with Proper Components as Listed with ARI.
Additional rating information can be found at www.aridirectory.org



Easy To Install:

All tubing exits through left hand side of front access panel
Split seam front access
Suction and discharge line extend past the outside of the cabinet

Serviceability:

Front panel is removable for easy service and coil cleaning
Foil-Face insulation for easy cleaning

Product Specifications

COIL SPECIFICATIONS

MODEL NUMBER	TYPE AIR FLOW*	FLUSH FIT TO FURNACE WIDTH	CFM RANGE	FACE AREA SQ. FT.	FINS PER INCH	TUBE O.D.	NUMBER OF ROWS	NUMBER OF CIRCUITS	LINE CONNECTIONS O.D.	
									LIQUID	SUCTION
AC1A024A	U, D	14.5, 16	600 - 900	4.00	14	3/8"	2	4	3/8"	3/4"
AC1A030A	U, D	14.5, 16, 17.5, 20.5	800 - 1,250	3.11	14	3/8"	3	6	3/8"	7/8"
AC1A036A	U, D	14.5, 16, 17.5, 20.5	1,000 - 1,400	4.00	14	3/8"	3	6	3/8"	7/8"
AC1A042A	U, D	17.5, 20.5	1,300 - 1,500	4.89	12	3/8"	3	6	3/8"	7/8"
AC1A060A	U, D	17.5, 20.5, 22	1,400 - 1,900	5.80	12	3/8"	3	6	3/8" ¹	7/8" ²

*U = Upflow Applications. D = Downflow Applications.

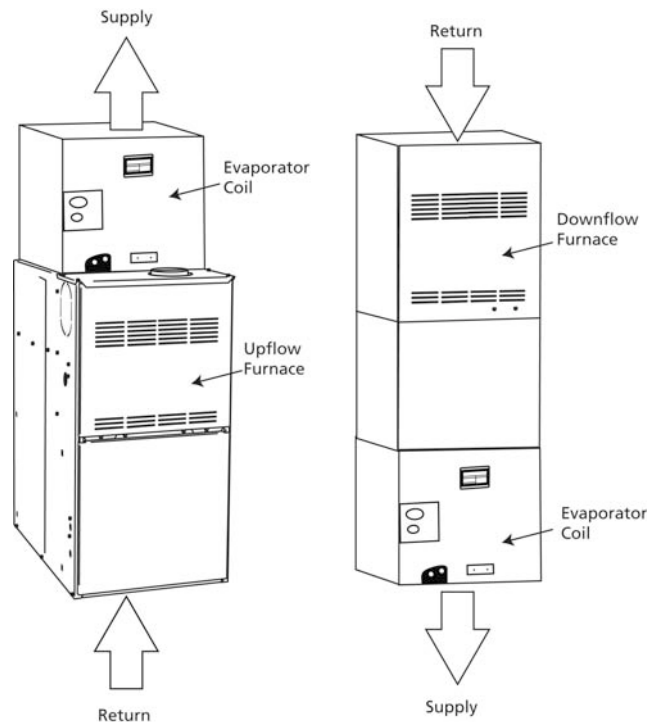
1 = Requires a 1/2" - 3/8" reducer.

2 = Requires a 1 1/8" - 3/8" reducer.

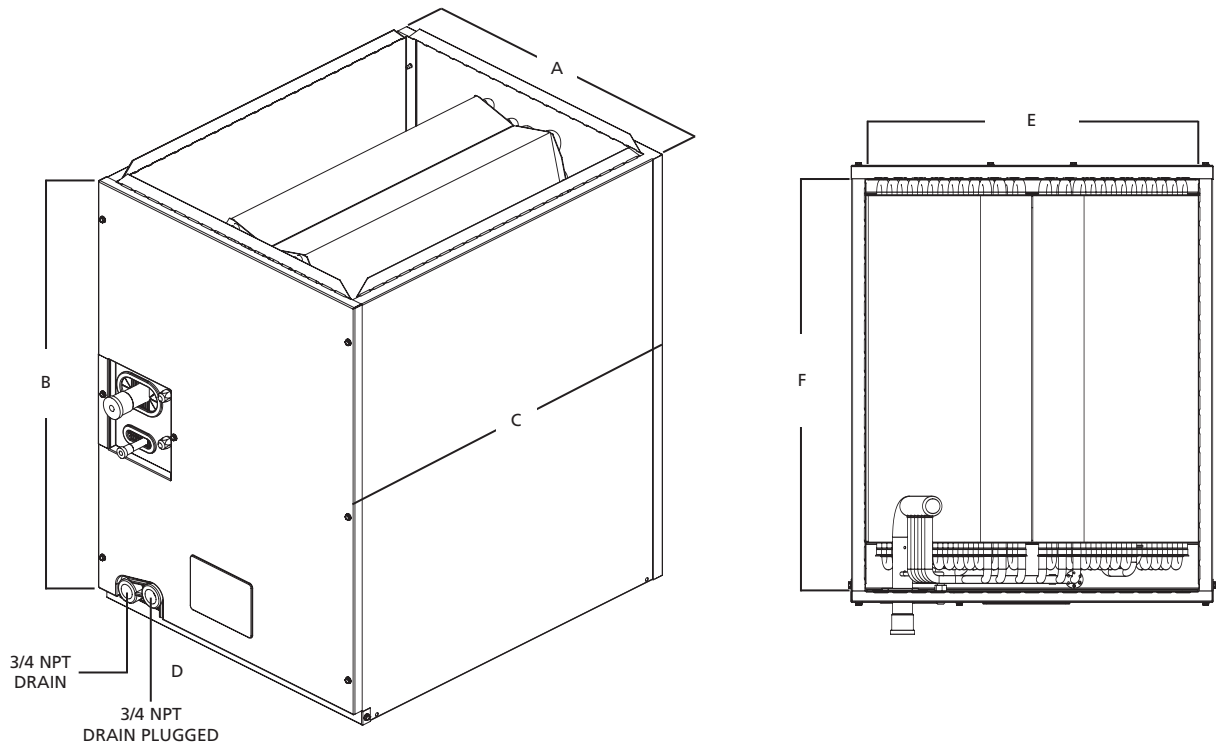
MODEL NUMBER	STATIC PRESSURE DROP THROUGH WET COIL & HOUSING (INCHES WATER COLUMN / CFM)													
	600	700	800	900	1000	1100	1200	1300	1400	1500	1600	1700	1800	1900
AC1A024A	0.10	0.11	0.12	0.13										
AC1A030A				0.15	0.17	0.19	0.21							
AC1A036A					0.19	0.20	0.22	0.23	0.24					
AC1A042A								0.15	0.17	0.18	0.21			
AC1A060A												0.21	0.23	0.23

Airflow configurations (drawings showing different installation configurations)

This product is ARI certified when matched with other Fedders products.



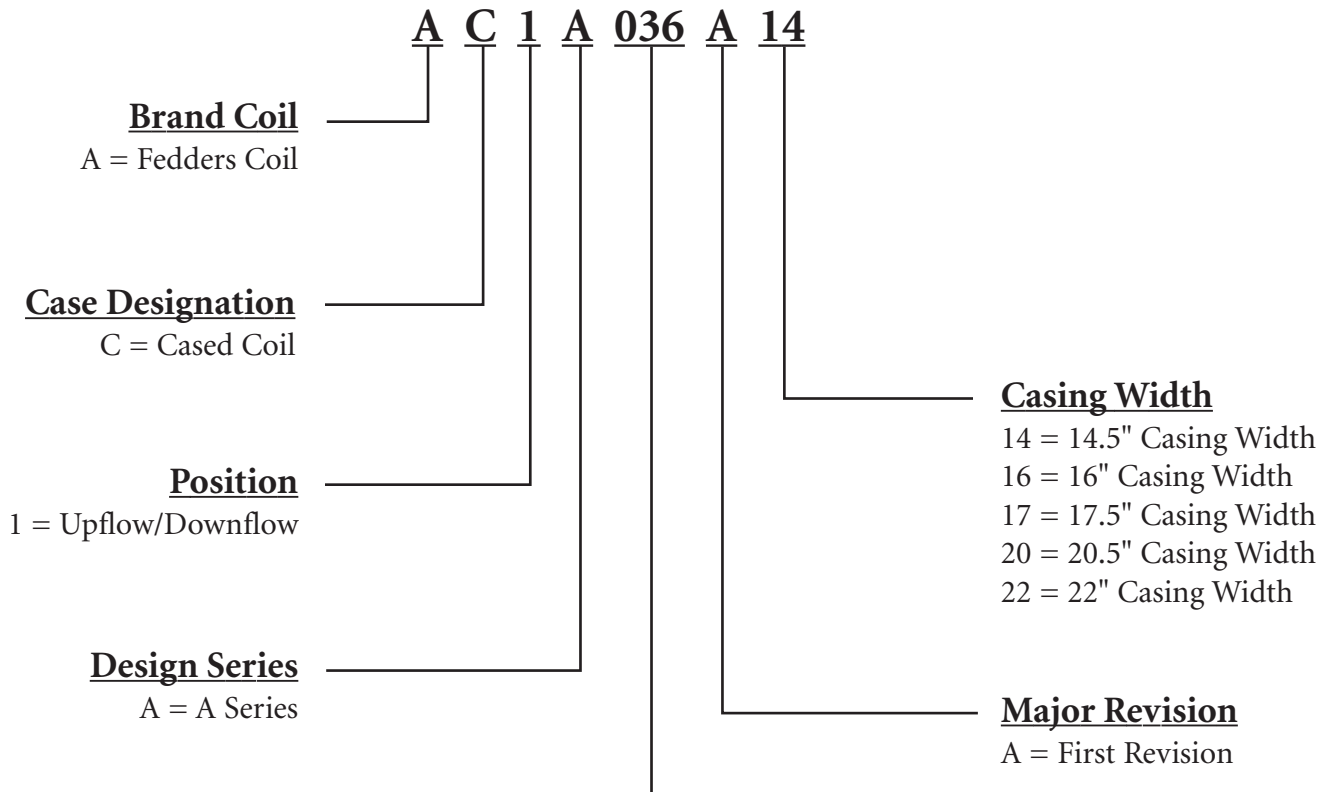
Product Specifications



CASED COIL DIMENSIONS IN INCHES

MODEL NUMBER	A	B	C	D	E	F	SHIPPING WEIGHT (LBS)	SHIPPING DIMENSIONS		
								HEIGHT	LENGTH	WIDTH
AC1A024A14	14.5	20.0	21	3/4 NPT	13	20	42	22.8	24.2	16.4
AC1A024A16	16	18.5	21	3/4 NPT	14.5	20	43	21.3	24.2	17.9
AC1A030A14	14.5	20.0	21	3/4 NPT	13	20	44	22.8	24.2	16.4
AC1A030A16	16	18.5	21	3/4 NPT	14.5	20	45	21.3	24.2	17.9
AC1A030A17	17.5	18.5	21	3/4 NPT	16	20	46	21.3	24.2	19.4
AC1A030A20	20.5	18.5	21	3/4 NPT	19	20	51	21.3	24.2	22.4
AC1A036A14	14.5	20.5	21	3/4 NPT	13	20	51	22.8	24.2	16.4
AC1A036A16	16	18.5	21	3/4 NPT	14.5	20	52	22.8	24.2	17.9
AC1A036A17	17.5	18.5	21	3/4 NPT	16	20	52	21.3	24.2	19.4
AC1A036A20	20.5	18.5	21	3/4 NPT	19	20	53	21.3	24.2	22.4
AC1A042A17	17.5	23.5	21	3/4 NPT	16	20	55	26.3	24.2	19.4
AC1A042A20	20.5	23.5	21	3/4 NPT	19	20	58	26.3	24.2	22.4
AC1A060A17	17.5	22.5	24	3/4 NPT	16	23	65	25.7	27.2	19.4
AC1A060A20	20.5	22.5	24	3/4 NPT	19	23	67	25.7	27.2	22.4
AC1A060A22	22	22.5	24	3/4 NPT	20.5	23	69	25.7	27.2	23.9

COIL NOMENCLATURE



Nominal Capacity

024	=	18,000/24,000 BTUH	[5.28/7.03 kW]
030	=	30,000 BTUH	[8.79 kW]
036	=	36,000 BTUH	[10.55 kW]
042	=	42,000 BTUH	[12.31 kW]
048	=	48,000 BTUH	[14.07 kW]
060	=	60,000 BTUH	[17.5 kW]

Free Manuals Download Website

<http://myh66.com>

<http://usermanuals.us>

<http://www.somanuals.com>

<http://www.4manuals.cc>

<http://www.manual-lib.com>

<http://www.404manual.com>

<http://www.luxmanual.com>

<http://aubethermostatmanual.com>

Golf course search by state

<http://golfingnear.com>

Email search by domain

<http://emailbydomain.com>

Auto manuals search

<http://auto.somanuals.com>

TV manuals search

<http://tv.somanuals.com>