

MODELS 300GC, 300GCX, 302GC, AND 302GCX

**INSTALLATION AND SERVICE INSTRUCTIONS FOR
SELECTONE® MODELS 300GC, 300GCX, 302GC, AND 302GCX**

MODELOS 300GC, 300GCX, 302GC Y 302GCX

**INSTRUCCIONES PARA LA INSTALACIÓN Y EL MANTENIMIENTO DE LOS
MODELOS SELECTONE® 300GC, 300GCX, 302GC Y 302GCX**

MODÈLES 300GC, 300GCX, 302GC ET 302GCX

**CONSIGNES POUR L'INSTALLATION ET L'UTILISATION DES
MODÈLES SELECTONE® 300GC, 300GCX, 302GC ET 302GCX**

Address all communications and shipments to:
Dirija todas la correspondencia y envíos a:
Adressez toutes les communiations et expéditions à:



FEDERAL SIGNAL CORPORATION
Electrical Products Division
2645 Federal Signal Drive
University Park, IL 60466-3195

INSTALLATION AND SERVICE INSTRUCTIONS FOR MODELS 300GC, 300GCX, 302GC, AND 302GCX

SAFETY MESSAGE TO INSTALLERS

People's lives depend on your safe installation of our products. It is important to read, understand and follow all instructions shipped with these products. Listed below are some other important safety instructions and precautions you should follow:

- This unit must be installed by a qualified electrician in accordance with all National and Local Electrical Codes, and be acceptable to the Local Authority Having Jurisdiction.
- Do not connect this unit to the system wiring when circuits are energized.
- For optimum sound distribution do not install this device where objects would block any portion of the front of the speaker.
- All effective warning speakers produce loud sounds, which in certain circumstances, may cause permanent hearing loss. Take appropriate precautions such as wearing hearing protection. Recommendations in OSHA-Sound Level Standard (29 CFR 1910) should not be exceeded.
- After installation and completion of initial system test, provide a copy of this instruction sheet to all personnel responsible for operation, periodic testing, and maintenance of the equipment.

WARNING

Failure to follow all safety precautions and instructions may result in property damage, serious injury, or death to you or others.

I. GENERAL.

These four SelecTone® Models are high output, continuous duty, indoor/outdoor rated audible signal/amplified speaker devices with internal gain controls. A plug-in tone module is required for tone generation. If the use of externally generated tones or voice signals from a remote amplifier is desired, the plug-in speaker connector cards may be used. See the specification section for compatible plug-in models. These models may also be used for playback of pre-recorded messages or tones when used with the Model TM-33 Custom Tone Module. The mounting bracket is adjustable to allow positioning to obtain desired sound coverage. Speaker projectors on all models are adjustable and may be repositioned to obtain desired sound distribution.

The SelecTone Models 300GCX and 302GCX are designed for use in areas where Flammable Gases, Vapors and Liquids and Combustible Dusts are not normally present, except for abnormal conditions as defined by the National Electrical Code. These models are suitable for use in Class I, Division 2, Groups A, B, C, & D; Class II, Division 2, Groups F and G; Class III or non-hazardous locations only. Reference the product nameplate for additional information.

II. SPECIFICATIONS.

Operating Voltages:	24V AC/DC, 120VAC, 240VAC	
Supervisor Voltage:	50VDC (When speaker plug-in module is installed.)	
Current Requirements:		
300GC & 300GCX:	24VAC - 1.1A max.	24VDC - 1.1A max.
	120VAC - 0.3A max.	240VAC - 0.2A max.
302GC & 302GCX:	24VAC - 1.7A max.	24VDC - 1.7A max.
	120VAC - 0.4A max.	240VAC - 0.2A max.
Weight	24V AC/DC 120VAC, 240VAC	
300GC:	4.5 lbs. [2.0kg]	5.5 lbs. [2.5kg]
300GCX:	4.9 lbs. [2.2kg]	5.9 lbs. [2.7kg]
302GC:	6.1 lbs. [2.8kg]	7.5 lbs. [3.4kg]
302GCX:	6.5 lbs. [3.0kg]	7.9 lbs. [3.6kg]
Construction		
Amplifier Housing:	Die-cast aluminum alloy with powder coated finish. Housing sealed with a neoprene rubber gasket. External mounting bracket on Models 300GCX & 302GCX.	
Speaker Cone Tip & Projector:	Spun aluminum alloy with powder coated finish.	
Sound Level on Axis @ 10 feet [3m]:	300GC & 300GCX: 110dBA 302GC & 302GCX: 114dBA	
Approval Agency Listings:	Refer to product nameplate	
Compatible Tone Modules:	TM2, TM33*, or UTM * - Series A and B versions of the TM33 module are not compatible.	
Compatible Speaker Connector Cards:	AM25CK*, AM70CK*, EM3, 300CK, E-300CK, T-300CK, or 300CKS * - Series A versions of these connector cards are not compatible.	

III. INSTALLATION.

A. *Unpacking.*

After unpacking the speaker, examine it carefully for possible damage that may have occurred in transit. If equipment has been damaged, immediately file a claim with the carrier stating the extent of the damage. Carefully check all shipping labels and tags for special instructions before removing or destroying them.

B. *Mounting Arrangements (see figure 1).*



To maintain the Hazardous Location ratings of the Models 300GCX and 302GCX enclosure, do not use the 7/8" knockout (concealed conduit mounting.)

The amplified speaker can be mounted on any relatively flat surface. Conduit connections can be made to the two 1/2" threaded openings at bottom of the housing. A 1/2" conduit plug is supplied for field installation if one of the 1/2" threaded openings is not utilized. After the mounting location and mounting method have been selected, proceed with the applicable instructions below.

▲WARNING

Property damage, serious injury, or death could occur if an accumulation of water, snow, dust, etc. resides in the speaker projector, severely reducing or preventing operation of this device. Mount the unit so speaker projector is pointed horizontally or slightly downward.

▲WARNING

Property damage, serious injury, or death could occur if the projector is mishandled during installation or over time. DO NOT rotate the projector more than 180 degrees or internal speaker wiring may be damaged.

1. Flat Surface Mounting.

- a. Remove and retain the two screws that secure cover to housing.

Remove the cover.

▲WARNING

Property damage, serious injury, or death could occur if any objects are in front of the speaker, severely reducing optimum sound distribution. For maximum effectiveness, ensure that the front of the speaker is clear of obstructions.

- b. Select the mounting location and place rear of the housing against mounting surface.

c. Using the mounting holes (two (2) inside for Models 300GC and 302GC's housing or four (4) outside for the Models 300GCX and 302GCX's external housing bracket) as a template, scribe drill position marks on the mounting surface. See figure 1 for mounting hole locations and dimensions.

▲CAUTION

Before drilling holes in any surface, ensure that both sides of surface are clear of items that could be damaged.

- d. Secure the unit to a wooden mounting surface with #10 x 1" wood screws. If mounting on a metal surface, drill 13/64" diameter holes and secure the unit with #10 screws, lockwashers and nuts.

e. Route wires through the 1/2" threaded openings into the SelecTone unit in accordance with National and Local Electrical codes. Wire size depends upon the operating current and the distance from the power source.

f. Reposition speaker projector if necessary to obtain desired sound coverage. Loosen collar nut (see figure 1) and move projector to desired position.

2. Concealed Conduit Mounting (300GC and 302GC Models ONLY).

a. Remove and retain the two screws that secure cover to housing.
Remove the cover.

b. Remove the 7/8" knockout at rear of housing.

c. Install the conduit connection.

d. Route wires through the 1/2" threaded openings into the SelecTone unit in accordance with National and Local Electrical codes. Wire size depends upon the operating current and the distance from the power source.

e. Select the mounting location and place rear of housing against mounting surface.

f. Using the two (2) mounting holes as a template, scribe drill position marks on the mounting surface. See figure 1 for mounting hole locations and dimensions.



Before drilling holes in any surface, ensure that both sides of surface are clear of items that could be damaged.

g. Secure the unit to a wooden mounting surface with #10 x 1" wood screws. If mounting on a metal surface, drill 13/64" diameter holes and secure the unit with #10 screws, lockwashers and nuts.

h. Reposition speaker projector if necessary to obtain desired sound coverage. Loosen collar nut (see figure 1) and move projector to desired position. Install 1/2" conduit plugs in the unused bottom entryways (one plug supplied).

C. *Electrical Connections.*



To avoid electrical shock, do not connect wires when circuits are energized.



Never energize unit unless the cover is securely fastened to housing. Property damage, serious injury, or death could occur if the housing is not closed properly.

National and Local Electrical Codes must be adhered to in the installation and operation of these models. All electrical wiring must be routed through approved conduit and fittings as specified.

1. Power Connections.

Use only 12 to 18 AWG [2.5 – 1.0 mm²] wire for the power connection. Strip no more than .25 inch [6 mm] of wire insulation from the ends of the power leads. If stranded wire is used, be sure that there are no loose strands outside the connector plug that could touch the adjacent lead and cause a short circuit.

a. 24V AC/DC models.

For 24VDC operation, connect the power source positive (+) lead to one of the (+) terminals of the connector plug and connect the power source negative (-) lead to one of the (-) terminals of the connector plug as shown in figure 2. For 24VAC operation connect the line (hot) power source wire to the terminal marked “L”. Connect the common (neutral) power source wire to the terminal marked “N”. See figure 2. If required by local building codes, connect the earth ground wire to the green screw threaded into the interior of the housing.

b. 120VAC & 240VAC models.

Connect the line (hot) power source wire to the terminal marked “L”. Connect the common (neutral) power source wire to the terminal marked “N”. See figure 2. If required by local building codes, connect the earth ground wire to the green screw threaded into the interior of the housing.

Plug the connector into the receptacle provided on the printed circuit board.

2. Tone Card Installation.

NOTE

Tone card is purchased separately.

a. Plug the desired tone card into the socket as shown in figure 2.

b. To ensure a proper seal, be sure that the rubber cover gasket is properly seated in the housing groove and reinstall the housing cover.

3. Speaker Connector Card Installation (Models AM25CK, AM70CK, and 300CK).

NOTE

Connector card is purchased separately.

a. Route the audio signal leads into the enclosure and connect the signal leads to the connector card audio inputs. The connector cards are NOT polarity sensitive, however, polarity should be observed when placing units within close proximity to each other. Refer to the connector card installation manual provided with the connector card kit for additional wiring information.

b. Plug the desired connector card into the socket as shown in figure 2.

c. To ensure a proper seal, be sure that the rubber cover gasket is properly seated in the housing groove and reinstall the housing cover.

▲WARNING

Property damage, serious injury, or death could occur if the housing is not closed properly. To reduce possibility of explosion, the housing cover must be kept tight while circuits are energized.

IV. TESTING/OPERATING.

▲WARNING

These devices are capable of producing sounds loud enough to cause hearing damage. Adequate hearing protection should be worn if standing within close proximity to device while testing. Recommendations in the OSHA Sound Level Standard (29 CFR 1910F) should not be exceeded.

A. After installation is complete, be sure to test the system to verify that each amplified speaker operates satisfactorily. If it is found that the unit is too loud for its location, an internal volume control can be adjusted. Remove the housing cover. Using a slotted screwdriver with a 1/8" blade, gently turn control to desired loudness. See figure 2. Reinstall the housing cover.

B. After completion of initial system test, establish a program for periodic testing of this device.

C. Provide a copy of these instructions for the Safety Engineer, system operator(s) and maintenance personnel.

▲ SAFETY MESSAGE TO OPERATORS

Even if your warning system is operating properly, it may not be completely effective. People may not hear or heed your warning signal. You must recognize this fact and ensure that your warning signal achieves its intended effect through proper test/training sequences within your specific application(s).

▲WARNING - EXPLOSION HAZARD

Substitution of components may impair suitability for Class I, Division 2, and Class I, Zone 2.

V. MAINTENANCE.

▲ SAFETY MESSAGE TO MAINTENANCE PERSONNEL

Failure to follow all safety precautions and instructions may result in property damage, serious injury, or death to you or others.

- Read and understand all instructions before performing maintenance on this unit.
- To reduce the risk of electrical shock or ignition of hazardous atmospheres, do not perform maintenance or service on this unit when circuits are energized.

- Periodic checks should be made to ensure that effectiveness of this device has not been reduced because speaker has become clogged with a foreign substance or because objects have been placed in front of the speaker.
- Any maintenance on this unit **MUST** be performed by a licensed electrician in accordance with NEC guidelines and local codes.
- Never alter these units in any manner. Note, additional openings or alterations made to the 300GCX or 302GCX Models may jeopardize the safety of the hazardous location.
- The nameplates, which contain cautionary or other information of importance to maintenance personnel, should not be obscured if the exterior of device is painted.

A. Periodically inspect this device to verify that there are no foreign substances in, or in front of the speaker, which will reduce its notification effectiveness.

B. Periodic evaluation on the performance of the unit should be conducted at regular intervals.

C. In the event a volume adjustment or other repair is required, be sure to refer to the Safety Message For Maintenance Personnel before proceeding.



Unauthorized repair/servicing of the unit may result in degradation of performance and/or safety, resulting in property damage, serious injury, or death to you or others. If a malfunctioning unit is encountered, do not attempt any field repair/retrofit of parts.

VI. SERVICE.

Federal Signal will service your equipment or provide technical assistance with any problems that cannot be handled locally.

Any units returned to Federal Signal for service, inspection, or repair, must be accompanied by a Return Material Authorization. This R.M.A. can be obtained from the local Distributor or Manufacturer's Representative.

At this time a brief explanation of the service requested or the nature of the malfunction, should be provided.

Address all communications and shipments to:

Federal Signal Corporation
 Electrical Products Division
 Service Department
 2645 Federal Signal Drive
 University Park, IL 60466-3195

VII. REPLACEMENT PARTS (Series D).

<u>Description</u>	<u>Part Number</u>
Amplifier Sub-assy., 300GC-024, 300GCX-024	K2005356A-05
Amplifier Sub-assy., 300GC-120, 300GCX-120, 300GC-240, and 300GCX-240	K2005356A-04
Amplifier Sub-assy., 302GC-024, 302GCX-024	K2005356A-03
Amplifier Sub-assy., 302GC-120, 302GCX-120, 302GC-240, and 302GCX-240	K2005356A-02
Amplifier Power Board., 300GC-024, 300GCX-024	K2001961A-05
Amplifier Power Board, 300GC-120, 300GCX-120, 300GC-240, and 300GCX-240	K2001961A-04
Amplifier Power Board, 302GC-024, 302GCX-024	K2001961A-03
Amplifier Power Board, 302GC-120, 302GCX-120, 302GC-240, and 302GCX-240	K2001961A-02
Speaker, 300GC-024, 300GCX-024, 300GC-120, 300GCX-120, 300GC-240, and 300GCX-240	8593082A
Speaker, 302GC-024, 302GCX-024, 302GC-120, 302GCX-120, 302GC-240, and 302GCX-240	8593103A
Transformer, 300GC-120, 300GCX-120	K120857A
Transformer, 300GC-240, 300GCX-240	K120858A
Transformer, 302GC-120, 302GCX-120	K120846A
Transformer, 302GC-240, 302GCX-240	K120856A
Voice Coil, 300GC-120, 300GCX-120, 300GC-240, and 300GCX-240	K8593035A
Voice Coil, 302GC-120, 302GCX-120, 302GC-240, and 302GCX-240	K8590246A

INSTRUCCIONES PARA LA INSTALACIÓN Y EL MANTENIMIENTO DE LOS MODELOS 300GC, 300GCX, 302GC Y 302GCX



MENSAJE DE SEGURIDAD PARA LOS INSTALADORES

La vida de personas depende de la instalación segura de nuestros productos. Es importante leer, comprender y seguir todas las instrucciones que vienen con estos productos. A continuación indicamos otras instrucciones importantes y precauciones de seguridad que debe seguir:

- Esta unidad debe ser instalada por un electricista calificado en conformidad con los Códigos Nacionales y Locales de Electricidad y aceptado por la autoridad local a la que corresponda la jurisdicción.
- No conecte esta unidad al cableado del sistema mientras los circuitos estén energizados.
- Para obtener una distribución óptima del sonido, no instale este dispositivo en lugares donde haya objetos que puedan obstruir cualquier porción de la parte delantera del altavoz.
- Todos los altavoces eficaces de alarma producen sonidos fuertes que pueden causar, en ciertas situaciones, la pérdida permanente de la audición. Tome las precauciones apropiadas como, por ejemplo, usar protección para los oídos. No se deben exceder las recomendaciones especificadas en la Norma de nivel de sonido (29 CFR 1910) de OSHA.
- Después de hacer la instalación y la prueba inicial del sistema, entregue una copia de estas instrucciones a todas las personas responsables de la operación, de las pruebas periódicas y del mantenimiento de estos equipos.

ADVERTENCIA

Si no se siguen todas las precauciones e instrucciones de seguridad, pueden ocasionarse daños a la propiedad o se pueden causar lesiones graves o mortales a usted o a otras personas.

I. GENERAL.

Estos cuatro modelos SelecTone® son dispositivos altavoces amplificados de alta potencia con controles internos de ganancia y señal audible nominal para servicio continuo en áreas interiores y exteriores. Es necesario un módulo enchufable para la generación de tonos. Si desea usar tonos generados externamente o señales de voz de un amplificador remoto, puede usar las tarjetas de conexión enchufables para altavoces. Consulte en la sección Especificaciones los modelos enchufables compatibles. Estos modelos también se pueden utilizar para reproducir mensajes o tonos grabados con anterioridad cuando se utilizan con el módulo de tonos personalizados (Custom Tone Module) modelo TM-33. El soporte de montaje es ajustable para permitir el cambio de posición y obtener la cobertura de sonido deseada. Los proyectores del altavoz de todos los modelos son ajustables y su posición se puede cambiar para obtener la distribución de sonido deseada.

Los modelos de SelecTone 300GCX y 302GCX están diseñados para su uso en áreas donde normalmente no hay presencia de gases, vapores o líquidos inflamables ni polvos combustibles, exceptuando las condiciones anormales que se definen en el Código Eléctrico Nacional. Estos modelos son adecuados para ser usados solamente en áreas Clase I, División 2, Grupos A, B, C y D; Clase II, División 2, Grupos F y G; Clase III o en áreas no peligrosas. Use como referencia la placa de identificación del producto para obtener información adicional.

II. ESPECIFICACIONES

Voltajes de operación:	24VCC, 24VCA, 120VCA, 240VCA	
Voltaje de referencia: está instalado).	50VCC (cuando el módulo enchufable del altavoz	
Requisitos de corriente:		
300GC y 300GCX:	24VCA - 1,1Amp máx.	24VCC - 1,1Amp máx.
	120VCA - 0,3Amp máx.	240VCA - 0,2Amp máx.
302GC y 302GCX:	24VCA - 1,7Amp máx.	24VCC - 1,7Amp máx.
	120VCA - 0,4Amp máx.	240VCA - 0,2Amp máx.

Peso	24VCC, 24VCA	120VCA, 240VCA
300GC:	4,5 lbs. [2,0kg]	5,5 lbs. [2,5kg]
300GCX:	4,9 lbs. [2,2kg]	5,9 lbs. [2,7kg]
302GC:	6,1 lbs. [2,8kg]	7,5 lbs. [3,4kg]
302GCX:	6,5 lbs. [3,0kg]	7,9 lbs. [3,6kg]

Construcción

Caja del amplificador:

Aleación de aluminio fundido con acabado de pintura en polvo. Caja sellada con una empaquetadura de caucho neopreno. Soporte de montaje externo en los modelos 300GCX y 302GCX.

Punta del cono y proyector del altavoz:

Aleación de aluminio trenzado con acabado de pintura en polvo.

Nivel de sonido en el eje a 10 pies [3 m]:

300GC y 300GCX: 110dBA
302GC y 302GCX: 114dBA

Lista de agencias aprobatorias:

Consulte la placa de identificación del producto

Módulos de tono compatibles:

TM2, TM33* o UTM
* - Las versiones de las Series A y B del módulo TM33 no son compatibles.

Tarjetas de conexión de altavoz compatibles:

AM25CK*, AM70CK*, EM3, 300CK,
E-300CK, T-300CK o 300CKS
* - Las versiones de la Serie A de estas tarjetas de conexión no son compatibles.

III. INSTALACIÓN.

A. Desempaque

Después de desempacar el altavoz, revíselo cuidadosamente para detectar cualquier daño que pueda haber ocurrido durante su transporte. Si el equipo está dañado, presente inmediatamente una reclamación al transportador indicando la magnitud del daño. Revise cuidadosamente todos los sellos de embarque y las etiquetas para ver si hay alguna instrucción especial antes de quitarlos o destruirlos.

B. Configuración del montaje (vea la Figura 1).



Para mantener la clasificación para Áreas de Alto Riesgo de la caja de los modelos 300GCX y 302GCX, no use la abertura rompible de 7/8 de pulg (montaje de conducto oculto).

El altavoz amplificado se puede montar en cualquier superficie relativamente plana. Las conexiones del conducto se pueden hacer a las dos aberturas roscadas de 1/2 pulg en la parte inferior de la caja. Se suministra un tapón de conducto de 1/2 pulg para la instalación en el campo si no se utiliza alguna de las aberturas roscadas de 1/2 pulg. Después de seleccionar la ubicación y el método de montaje, proceda con las instrucciones descritas abajo que sean aplicables.

⚠ ADVERTENCIA

Pueden ocasionarse daños a la propiedad o lesiones graves o mortales si se acumula agua, nieve, polvo, etc. en el proyector del altavoz, reduciendo significativamente o impidiendo la operación de este dispositivo. Monte la unidad de tal manera que el proyector del altavoz se oriente horizontalmente o un poco hacia abajo.

⚠ ADVERTENCIA

Pueden ocasionarse daños a la propiedad o lesiones graves o mortales si el proyector es maltratado durante o después de la instalación. NO gire el proyector más de 180 grados porque pueden ocasionarse daños a los cables internos del altavoz.

1. Montaje en una superficie plana.
 - a. Quite y retenga los dos tornillos que sujetan la tapa a la caja. Quite la tapa.

⚠ ADVERTENCIA

Pueden ocasionarse daños a la propiedad o lesiones graves o mortales si hay algún objeto delante del altavoz, reduciendo significativamente la distribución óptima del sonido. Para obtener la mayor efectividad, asegúrese de que no hay ninguna obstrucción delante del altavoz.

- b. Seleccione la ubicación del montaje y coloque la parte trasera de la caja contra la superficie de montaje.
 - c. Utilice los orificios de montaje (dos (2) en el interior para la caja de los modelos 300GC y 302GC o cuatro en el exterior (4) para el soporte externo de la caja de los modelos 300GCX y 302GCX) como una plantilla para marcar la posición en la superficie de montaje donde se debe perforar. Vea la Figura 1 para obtener la ubicación y las dimensiones de los orificios de montaje.

⚠ PRECAUCION

Antes de perforar los orificios, asegúrese de que no hay nada que se pueda dañar en los dos lados de la superficie.

- d. Sujete la unidad en una superficie de montaje de madera con tornillos para madera #10 x 1 pulg. Cuando instale la unidad en superficies metálicas, perforo orificios de 13/64 pulg de diámetro en las posiciones marcadas y sujete la unidad con tornillos #10, arandelas de presión y tuercas.

- e. Pase los cables a través de las aberturas roscadas de 12 pulg hacia la unidad SelecTone en conformidad con los Códigos Nacionales y Locales de Electricidad. El tamaño de los cables depende de la corriente que se está utilizando y la distancia a la fuente de energía.

f. Cambie la posición del proyector del altavoz si es necesario para obtener la cobertura de sonido deseada. Afloje la tuerca de collar (vea la Figura 1) y mueva el proyector a la posición deseada.

2. Montaje de conducto oculto (SÓLO en los modelos 300GC y 302GC).

a. Quite y retenga los dos tornillos que sujetan la tapa a la caja. Quite la tapa.

b. Quite la abertura rompible de 7/8 pulg en la parte trasera de la caja.

c. Instale la conexión del conducto.

d. Pase los cables a través de las aberturas roscadas de 12 pulg hacia la unidad SelecTone en conformidad con los Códigos Nacionales y Locales de Electricidad. El tamaño de los cables depende de la corriente que se está utilizando y la distancia a la fuente de energía.

e. Seleccione la ubicación del montaje y coloque la parte trasera de la caja contra la superficie de montaje.

f. Use los dos orificios de montaje (2) como una plantilla para marcar la posición en la superficie de montaje donde se debe perforar. Vea la Figura 1 para obtener la ubicación y las dimensiones de los orificios de montaje.

PRECAUCION

Antes de perforar los orificios, asegúrese de que no hay nada que se pueda dañar en los dos lados de la superficie.

g. Sujete la unidad en una superficie de montaje de madera con tornillos para madera #10 x 1 pulg. Cuando instale la unidad en superficies metálicas, perforo orificios de 13/64 pulg de diámetro en las posiciones marcadas y sujete la unidad con tornillos #10, arandelas de presión y tuercas.

h. Cambie la posición del proyector del altavoz si es necesario para obtener la cobertura de sonido deseada. Afloje la tuerca de collar (vea la Figura 1) y mueva el proyector a la posición deseada. Instale tapones de conducto de 1/2 pulg en las entradas inferiores que no se usen (se suministra un tapón).

C. *Conexiones eléctricas.*

PELIGRO

Para evitar una descarga eléctrica, no conecte los cables cuando el sistema está energizado.

ADVERTENCIA

Nunca energice la unidad a menos que la tapa esté sujeta firmemente a la caja. Pueden ocasionarse daños a la propiedad o lesiones graves o mortales si no se cierra correctamente la caja.

Se deben cumplir los Códigos Nacionales y Locales de Electricidad para la instalación y operación de estos modelos. Todos los cables eléctricos debe tenderse por un conducto aprobado y usando los conectores aprobados de acuerdo a las especificaciones.

1. Conexiones de energía.

Utilice sólo cables de 12 a 18 AWG (2,5 – 1,0 mm²) para las conexiones de energía. No quite más de 0,25 pulg (6 mm) de aislamiento de cable del extremo de los conductores de energía. Si utiliza cable trenzado, asegúrese de que no hay ninguna trenza suelta por fuera del enchufe conector que pueda entrar en contacto con un conductor adyacente y causar un corto circuito.

a. Modelos de 24V CA/CC.

Para la operación a 24VCC, conecte el conductor positivo de la fuente de potencia a uno de los terminales positivos (+) del enchufe conector y el conductor negativo a uno de los terminales negativos (-) del enchufe conector, como se muestra en la Figura 2. Para la operación de 24VCA, conecte el cable de línea (caliente) de la fuente de energía al terminal marcado con la letra "L". Conecte el cable común (neutral) de la fuente de energía al terminal marcado con la letra "N". Vea la Figura 2. Si los códigos de construcción locales lo exigen, conecte el cable de conexión a tierra al tornillo roscado verde en el interior de la caja.

b. Modelos de 120VCA y 240VCA.

Conecte el cable de línea (caliente) de la fuente de energía al terminal marcado con la letra "L". Conecte el cable común (neutral) de la fuente de energía al terminal marcado con la letra "N". Vea la Figura 2. Para la operación a 24V CA, conecte el cable de línea (caliente) de la fuente de energía al terminal marcado con la letra "L".

Conecte el conector al receptáculo proporcionado en la tarjeta del circuito impreso.

2. Instalación de la tarjeta de tono

NOTA

La tarjeta de tono se compra separadamente.

- a. Instale la tarjeta de tono deseada en el receptáculo como se muestra en la Figura 2.
- b. Para obtener un sellado correcto, asegúrese de que la empaquetadura de goma de la tapa se asiente correctamente en la ranura de la caja e instale de nuevo la tapa de la caja.

3. Instalación de la tarjeta de conexión del altavoz (modelos AM25CK, AM70CK y 300CK).

NOTA

La tarjeta de conexión se compra separadamente.

- a. Pase los conductores de señal de audio al interior de la caja y conecte los conductores de señal a las entradas del conector de la tarjeta de audio. Las tarjetas de conexión NO son susceptibles a la polaridad; sin embargo, se debe observar la polaridad cuando se coloca una unidad muy cerca de otra. Consulte el manual de instalación de la tarjeta de conexión que se proporciona con el juego de tarjetas de conexión para obtener más información acerca del cableado.
- b. Conecte la tarjeta de conexión deseada en el receptáculo, como se muestra en la Figura 2.

c. Para obtener un sellado correcto, asegúrese de que la empaquetadura de goma de la tapa se asiente correctamente en la ranura de la caja e instale de nuevo la tapa de la caja.

⚠ ADVERTENCIA

Pueden ocasionarse daños a la propiedad o lesiones graves o mortales si no se cierra correctamente la caja. Para disminuir la posibilidad de una explosión, la tapa de la caja debe mantenerse ajustada mientras el sistema está energizado.

IV. PRUEBA/OPERACIÓN.

⚠ ADVERTENCIA

Estos dispositivos tienen la capacidad de producir sonidos lo suficientemente fuertes para causar daños al oído. Debe usar protección adecuada para los oídos si está cerca del dispositivo mientras se está probando. No se deben exceder las recomendaciones especificadas en la Norma de nivel de sonido (29 CFR 1910F) de OSHA.

A. Después de completar la instalación, asegúrese de probar el sistema para verificar que cada altavoz amplificado está funcionando correctamente. Si la unidad produce sonidos demasiado fuertes para el lugar donde está ubicada, se puede ajustar el control de volumen interno. Quite la tapa de la caja. Utilizando un atornillador acanalado con una hoja de 1/8 pulg, gire suavemente el control al nivel de volumen deseado. Vea la Figura 2. Instale de nuevo la tapa de la caja.

B. Después de la instalación y la prueba inicial del sistema, se debe establecer un programa de pruebas periódicas para este dispositivo.

C. Entregue una copia de estas instrucciones al ingeniero de seguridad, a los operadores del sistema y al personal de mantenimiento.

⚠ MENSAJE DE SEGURIDAD PARA LOS OPERADORES

Aunque su sistema de advertencia esté funcionando correctamente, es posible que no sea completamente efectivo. Es posible que las personas no escuchen o no hagan caso de su señal de advertencia. Debe reconocer este hecho y asegurarse de que su señal de advertencia cumple el efecto deseado realizando secuencias de pruebas y de entrenamiento para sus aplicaciones específicas.

⚠ ADVERTENCIA - PELIGRO DE EXPLOSIÓN

La sustitución de componentes puede deteriorar la idoneidad para Clase I, División 2 y Clase I, Zona 2.

V. MANTENIMIENTO.

⚠ MENSAJE DE SEGURIDAD PARA EL PERSONAL DE MANTENIMIENTO

Si no se siguen todas las precauciones e instrucciones de seguridad, pueden ocasionarse daños a la propiedad o se pueden causar lesiones graves o mortales a usted o a otras personas.

- Lea y comprenda todas las instrucciones antes de realizar trabajos de mantenimiento en esta unidad.

- Para disminuir el riesgo de descargas eléctricas o de incendios en atmósferas de alto riesgo, no realice trabajos de mantenimiento en este dispositivo mientras el sistema está energizado.
 - Se deben hacer revisiones periódicas para asegurar que la efectividad del dispositivo no ha disminuido debido a obstrucciones en el altavoz causadas por sustancias extrañas o porque se hayan colocado objetos delante del altavoz.
 - Todos los trabajos de mantenimiento en esta unidad DEBEN ser realizados por un electricista capacitado en conformidad con el Código Eléctrico Nacional y con los códigos locales.
 - Nunca altere estas unidades de ninguna manera. Tenga en cuenta que las aberturas adicionales y las alteraciones a los modelos 300GCX o 302GCX pueden poner en peligro la seguridad en áreas de alto riesgo.
 - Las placas de identificación, que pueden contener precauciones o información de importancia para el personal de mantenimiento, no se deben cubrir con pintura cuando se pinta el exterior del dispositivo.
- A. Inspeccione periódicamente este dispositivo para verificar que no hay sustancias extrañas en o delante del altavoz que puedan disminuir la efectividad anunciada.
- B. Se deben realizar evaluaciones periódicas del rendimiento de la unidad.
- C. Si es necesario ajustar el volumen o realizar alguna reparación, asegúrese de consultar el Mensaje de seguridad para el personal de mantenimiento antes de proceder.



Si se hacen trabajos de mantenimiento y reparación que no están autorizados, se puede ocasionar la degradación del rendimiento y de la seguridad de la unidad, con la posibilidad de causar daños a la propiedad y lesiones graves o mortales a usted o a otras personas. Si tiene una unidad averiada, no intente reparar ni adaptar ninguna de las piezas.

VI. SERVICIO.

Federal Signal reparará su equipo o le prestará asistencia técnica con cualquier problema que no pueda corregirse localmente.

Todas las unidades devueltas a Federal Signal para su mantenimiento, inspección o reparación deben enviarse con una Autorización de Devolución de Materiales R.M.A. Esta R.M.A. puede obtenerse de su distribuidor local o del representante del fabricante.

En ese momento se le pedirá una breve explicación del servicio solicitado o la naturaleza del desperfecto.

Dirija toda su correspondencia y todos sus envíos a:

Federal Signal Corporation
 Electrical Products Division
 Service Department
 2645 Federal Signal Drive
 University Park, IL 60466-3195

VII. COMPONENTES DE REEMPLAZO (Serie D).

<u>Descripción</u>	<u>Número de parte</u>
Subconjunto de amplificador, 300GC-024, 300GCX-024	K2005356A-05
Subconjunto de amplificador, 300GC-120, 300GCX-120, 300GC-240 y 300GCX-240	K2005356A-04
Subconjunto de amplificador, 302GC-024, 302GCX-024	K2005356A-03
Subconjunto de amplificador, 302GC-120, 302GCX-120 302GC-240 y 302GCX-240	K2005356A-02
Tablero de alimentación del amplificador, 300GC-024, 300GCX-024	K2001961A-05
Tablero de alimentación del amplificador, 300GC-120, 300GCX-120 300GC-240 y 300GCX-240	K2001961A-04
Tablero de alimentación del amplificador, 302GC-024, 302GCX-024	K2001961A-03
Tablero de alimentación del amplificador, 302GC-120, 302GCX-120 302GC-240 y 302GCX-240	K2001961A-02
Altavoz, 300GC-024, 300GCX-024, 300GC-120, 300GCX-120, 300GC-240 y 300GCX-240	8593082A
Altavoz, 302GC-024, 302GCX-024, 302GC-120, 302GCX-120, 302GC-240 y 302GCX-240	8593103A
Transformador, 300GC-120, 300GCX-120	K120857A
Transformador, 300GC-240, 300GCX-240	K120858A
Transformador, 302GC-120, 302GCX-120	K120846A
Transformador, 302GC-240, 302GCX-240	K120856A
Bobina de voz, 300GC-120, 300GCX-120, 300GC-240 y 300GCX-240	K8593035A
Bobina de voz, 302GC-120, 302GCX-120, 302GC-240 y 302GCX-240	K8590246A

CONSIGNES POUR L'INSTALLATION ET L'UTILISATION DES MODÈLES 300GC, 300GCX, 302GC ET 302GCX

MESSAGE DE SÉCURITÉ POUR LES INSTALLATEURS

Des vies humaines dépendent de l'installation sans danger que vous faites de nos produits. Il est important de lire, de comprendre et de suivre toutes les consignes jointes à ces produits. De plus, sont énumérées ci-dessous quelques autres consignes et mesures de sécurité importantes à suivre :

- Un électricien qualifié doit installer cette unité conformément aux codes électriques national et locaux; l'autorité ayant juridiction doit l'accepter.
- Ne pas brancher cette unité au système quand celui-ci est sous tension.
- Pour une répartition optimale du son, ne pas installer cet appareil là où des objets feraient obstacle à l'avant du haut-parleur.
- Tous les haut-parleurs d'avertissement efficaces produisent des sons puissants qui, dans certaines situations, peuvent causer une perte auditive permanente. Vous devez prendre des précautions adéquates comme le port d'une protection auditive. Il ne faut pas dépasser les recommandations de la norme de niveau sonore (29 CFR 1910) de l'OSHA.
- Après l'installation et l'exécution d'un premier essai du système, fournir une copie de cette feuille de consignes à tout le personnel responsable du fonctionnement, des essais périodiques et de l'entretien de cet équipement.

AVERTISSEMENT

Le non respect de toutes les mesures et consignes de sécurité pourrait entraîner des dommages aux biens, de sérieuses blessures ou la mort pour vous ou d'autres

I. GÉNÉRALITÉS.

Ces quatre modèles SelecTone® sont des haut-parleurs à sortie élevée, à service continu, amplifiés/à signal audible homologué intérieur/extérieur avec réglages internes de puissance de son. Un module enfichable de tonalité est requis pour la génération de tonalité. Pour des tonalités générées à l'extérieur ou des signaux vocaux à partir d'un amplificateur à distance, vous pouvez utiliser les cartes de connecteur enfichables. Voir les modèles enfichables compatibles au chapitre spécification. Vous pouvez aussi vous servir de ces modèles pour la lecture de messages ou de tonalités préenregistrées avec le module à tonalités personnalisées modèle TM-33. Le support de fixation est réglable pour placer l'appareil de façon à obtenir la couverture sonore désirée. Sur tous les modèles, les cornets de haut-parleurs sont réglables et peuvent être repositionnés pour obtenir la diffusion de son désirée.

Les modèles SelecTone 300GCX et 302GCX sont conçus pour servir dans des aires où des gaz, vapeurs et liquides inflammables et des poussières combustible ne sont pas présents normalement, excepté dans des conditions anormales telles que définies par le Code électrique national. Ces modèles conviennent seulement pour les endroits de classe I, division 2, groupes A, B, C, et D; classe II, division 2, groupes F et G; classe III ou sans danger. Se reporter à la plaque signalétique du produit pour plus d'information

II. SPÉCIFICATIONS

Tensions de fonctionnement :	24 V CA/CC, 120 V CA, 240 V CA	
Tension du superviseur :	50 V CC (Quand le module enfichable du haut-parleur est installé.)	
Courants exigés :		
300GC et 300GCX:	24 V CA - 1,1 A max.	24 V CC - 1,1 A max.
	120 V CC - 0,3 A max.	240 V CA - 0,2 A max.
302GC & 302GCX:	24 V CA - 1,7 A max.	24 V CC - 1,7 A max.
	120 V CC - 0,3 A max.	240 V CA - 0,2 A max.

24V 24 V CA/CC, 120 V CA, 240 V CA		
300GC:	2 kg [4,5 lb]	2,5 kg [5,5 lb]
300GCX:	2,2 kg [4,9 lb]	2,7 kg [5,9 lb]
302GC:	2,8 kg [6,1 lb]	3,4 kg [7,5 lb]
302GCX:	3 kg [6,5 lb]	3,6 kg [7,9 lb]

Construction du boîtier d'amplificateur : Fonte d'alliage d'aluminium avec fini de revêtement en poudre
Boîtier scellé par un joint de néoprène
Support de montage externe sur les modèles 300GCX et 302GCX.

Bout du cône diffuseur et cornet du haut-parleur : Alliage d'aluminium avec fini de revêtement en poudre.

Niveau sonore (sur l'axe @ 3m [10 pi]) : 300GC et 300GCX : 110 dBA
302GC et 302GCX : 114 dBA

Listes d'homologation : Se reporter à la plaque signalétique du produit

Modules compatibles de tonalité : TM2, TM33*, ou UTM
* - Les versions **Séries A et B** du module TM33 ne sont pas compatibles.

Cartes de connecteur compatibles avec le haut-parleur : AM25CK*, AM70CK*, EM3, 300CK, E-300CK, T-300CK, ou 300CKS

* - Les versions de série A de ces cartes de connecteur ne sont pas compatibles.

III. INSTALLATION.

A. Déballage.

Après avoir déballé le haut-parleur, vérifier soigneusement s'il a été endommagé lors du transport. Si l'équipement a été endommagé, faire immédiatement au transporteur une réclamation déclarant l'étendue des dommages. Examiner soigneusement toutes les étiquettes d'expédition et de consignes particulières avant de les enlever ou de les détruire.

B. Dispositions de Montage (Voir figure 1)



Pour maintenir la classification pour endroits dangereux des modèles d'enceinte 300GCX et 302GCX, ne pas utiliser l'entrée défonçable de 7/8 po (montage à conduit caché).

Le haut-parleur peut être fixé sur une surface relativement plane capable de supporter son poids. Les conduits de câbles peuvent être raccordés aux ouvertures taraudées de 1/2 po situées à la base du boîtier. Un bouchon de conduit de 1/2" est fourni pour l'installation si une des ouvertures taraudées de 1/2 po n'est pas utilisée. Après avoir choisi emplacement et la méthode de montage, procéder selon les consignes applicables suivantes.

▲ AVERTISSEMENT

Il pourrait arriver des dommages aux biens, des blessures sérieuses ou la mort si de l'eau, de la neige, de la poussière, etc. s'accumulent dans le cornet du haut-parleur, réduisant gravement ou empêchant le fonctionnement de cet appareil. Fixer l'unité pour que le cornet du haut-parleur soit dirigé horizontalement ou légèrement vers le bas.

▲ AVERTISSEMENT

Il pourrait arriver des dommages aux biens, des blessures sérieuses ou la mort si le cornet est manipulé sans précaution lors de l'installation ou postérieurement. NE PAS faire pivoter le cornet de plus de 180 degrés afin de ne pas endommager le câblage intérieur du haut-parleur.

1. Montage sur Surface Plane.

a. Retirer et garder les deux vis qui fixent le couvercle au boîtier. Retirer le boîtier.

▲ AVERTISSEMENT

Il pourrait arriver des dommages aux biens, des blessures sérieuses ou la mort si des objets se trouvaient devant le haut-parleur, réduisant gravement la répartition optimale du son. Pour une efficacité maximale, faire en sorte qu'il n'y ait aucune obstruction à l'avant du haut-parleur.

b. Choisir l'emplacement de montage et placer l'arrière du boîtier contre la surface de montage.

c. Se servir des trous de montage (deux [2] à l'intérieur du boîtier des modèles 300GC et 302GC ou quatre [4] dans le support de montage externe des modèles 300GCX et 302GCX) comme gabarit, pour marquer les positions de perçage sur la surface de montage. Voir la figure 1 pour l'emplacement des trous de fixation et leurs dimensions.

▲ ATTENTION

Avant de percer des trous sur une surface, s'assurer que ses deux faces sont exemptes de quoi que ce soit qui pourrait être endommagé.

d. Fixer l'appareil à une surface de bois avec des vis à bois de 1 po No 10. En cas de montage sur une surface métallique, percer des trous de 13/64" de diamètre et fixer l'appareil avec des boulons No 10, des rondelles-frein et des écrous.

e. Passer les fils par les ouvertures taraudées d'1/2 po dans l'appareil SelectTone conformément aux codes électriques national et locaux. Le calibre du fil dépend du courant de fonctionnement et de la distance de la source d'alimentation

f. Repositionner le cornet du haut-parleur si nécessaire pour obtenir la couverture sonore désirée. Desserrer l'écrou à embase (voir figure 1) et déplacer le cornet jusqu'à la position désirée.

2. Montage avec Conduit Caché (Modèles 300GC et 302GC SEULEMENT).

a. Retirer et garder les deux vis qui fixent le couvercle au boîtier. Retirer le boîtier.

b. Retirer l'entrée défonçable de 7/8" à l'arrière du boîtier.

c. Installer le raccord de conduit.

d. Passer les fils par les ouvertures taraudées d'1/2 po dans l'appareil SelectTone conformément aux codes électriques national et locaux. Le calibre du fil dépend du courant de fonctionnement et de la distance de la source d'alimentation

e. Choisir l'emplacement de montage et placer l'arrière du boîtier contre la surface de montage.

f. À l'aide du support de fixation comme gabarit, marquer la position des trous à percer sur la surface de fixation. Voir la figure 1 pour l'emplacement des trous de fixation et leurs dimensions.

▲ ATTENTION

Avant de percer des trous sur une surface, s'assurer que ses deux faces sont exemptes de tout élément qui pourrait être endommagé.

g. Fixer l'appareil à une surface de bois avec des vis à bois de 1 po No 10. En cas de montage sur une surface métallique, percer des trous de 13/64" de diamètre et fixer l'appareil avec des boulons No 10, des rondelles-frein et des écrous.

h. Repositionner le cornet du haut-parleur si nécessaire pour obtenir la couverture sonore désirée. Desserrer l'écrou à embase (voir figure 1) et déplacer le cornet jusqu'à la position désirée. Installer des bouchons de conduits de 1/2" dans les entrées non utilisées (un bouchon fourni).

C. *Connexions électriques*

▲ DANGER

Pour éviter un choc électrique, ne pas connecter de fils quand les circuits sont sous tension.

▲ AVERTISSEMENT

Ne jamais mettre l'appareil sous tension si le couvercle n'est pas bien fixé sur le boîtier. Il pourrait arriver des dommages aux biens, des blessures sérieuses ou la mort si le boîtier n'est pas bien fermé.

Il faut suivre le code électrique national ainsi que les codes locaux pour l'installation de ces modèles. Tout le câblage électrique doit passer par les conduits et les raccords homologués tel que spécifié.

1. Connexions à l'alimentation

Utiliser seulement un fil de calibre 12 à 18 AWG (2.5 – 1.0 mm²) pour la connexion à l'alimentation. Ne pas dénuder plus de 6 mm (25 po) de fil aux extrémités des conducteurs. Si vous utilisez du fil toronné, assurez-vous qu'il n'y a pas de toron flottant à l'extérieur du connecteur qui pourrait toucher le conducteur adjacent et causer un court-circuit.

a. Modèles 24 V CA/CC

Pour le fonctionnement en 24 V CC, connecter le fil (+) positif d'alimentation à une des bornes (+) et le fil (-) négatif à une des bornes (-) du connecteur enfichable comme montré à la figure 2. Pour le fonctionnement en 24 V CA, connecter le fil de ligne (vivant) de la source de courant à la borne indiquée « L ». Connecter le fil commun (neutre) de la source de courant à la borne indiquée « N ». Voir figure 2. En cas d'exigence des codes locaux de construction, connecter le fil de mise à la terre à la vis verte filetée à l'intérieur de l'enceinte.

b. Modèles 120 V CC et 240V CC

Connecter le fil de ligne (vivant) de la source de courant à la borne indiquée « L ». Connecter le fil commun (neutre) de la source de courant à la borne indiquée « N ». Voir figure 2. En cas d'exigence des codes locaux de construction, connecter le fil de mise à la terre à la vis verte filetée à l'intérieur de l'enceinte.

Brancher le connecteur dans la prise fournie sur la carte de circuits imprimés.

2. Installation de la carte de tonalité

NOTE

La carte de tonalité s'achète séparément.

- a. Insérer la carte de tonalité désirée dans la prise femelle comme le montre la figure 2.
- b. Pour s'assurer d'une bonne étanchéité, vérifier que le joint de caoutchouc du couvercle est bien installé dans la rainure du boîtier et reposer le couvercle du boîtier.

3. Installation des cartes de connecteurs de haut-parleur (Modèles AM25CK, AM70CK, et 300CK).

NOTE

La carte de connecteurs s'achète séparément.

- a. Passer les conducteurs de signal audio dans l'enceinte et les connecter aux entrées audio de la carte de connecteurs. Les cartes de connecteurs NE sont PAS sensibles à la polarité; cependant, il faut observer la polarité en plaçant les unités à proximité l'une de l'autre. Se reporter au manuel d'installation de cartes de connecteurs fourni avec la trousse de cartes de connecteurs pour des renseignements supplémentaires sur les branchements.
- b. Insérer la carte de connecteur désirée dans la prise femelle comme le montre la figure 2.
- c. Pour s'assurer d'une bonne étanchéité, vérifier que le joint de caoutchouc du couvercle est bien installé dans la rainure du boîtier et reposer le couvercle du boîtier.

AVERTISSEMENT

Il pourrait arriver des dommages aux biens, des blessures sérieuses ou la mort si le boîtier n'est pas bien fermé. Pour réduire la possibilité d'explosion, il faut que le couvercle du boîtier soit bien fermé pendant la mise sous tension des circuits.

IV. ESSAIS / FONCTIONNEMENT.

AVERTISSEMENT

Dans certaines situations, ces appareils sont capables de produire des sons suffisamment puissants pour causer une diminution de l'acuité auditive. Vous devez porter une protection auditive adéquate si vous êtes à proximité de l'appareil pendant les essais. Il ne faut pas dépasser les recommandations de la norme de niveau sonore (29 CFR 1910) de l'OSHA.

A. Une fois l'installation terminée, faire l'essai du système pour vérifier que chaque haut-parleur amplifié fonctionne de manière satisfaisante. Si l'unité est trop bruyante pour son emplacement, on peut régler le volume à l'aide d'une commande interne. Reposer le couvercle du boîtier. À l'aide d'un tournevis plat avec une lame de 1/8", tourner doucement la commande à l'intensité sonore désirée. Voir figure 2. Reposer le couvercle du boîtier.

B. Une fois terminé le premier essai du système, il faut établir un programme d'essai périodique de cet appareil.

C. Fournir une copie de ces consignes à l'ingénieur de la sécurité, aux opérateurs du système et au personnel d'entretien.

MESSAGE DE SÉCURITÉ AUX OPÉRATEURS

Même si votre système fonctionne correctement, il pourrait ne pas être totalement efficace. Les gens pourraient ne pas entendre ou tenir compte du signal avertisseur. Vous devez reconnaître ce fait et vous assurez que votre signal avertisseur atteint son but par de séquences appropriées d'essais et de formation dans le cadre de vos applications spécifiques.

WARNING - RISQUE D'EXPLOSION

La substitution de composants pourrait réduire la compatibilité avec la classe 1, division 2 et classe 1, zone 2

V. ENTRETIEN.

MESSAGE DE SÉCURITÉ AU PERSONNEL D'ENTRETIEN

Le non respect de toutes les mesures et consignes de sécurité pourrait entraîner des dommages aux biens, de sérieuses blessures ou la mort pour vous ou d'autres

- Lire et comprendre toutes les consignes avant d'effectuer l'entretien de cette unité.
- Pour réduire le risque de chocs électriques ou un allumage d'atmosphères dangereuses, ne pas effectuer d'entretien ou de réparation sur cet appareil si les circuits sont sous tension.
- Il faut faire des vérifications périodiques pour s'assurer que l'efficacité de cet appareil n'a pas été réduite parce qu'une substance étrangère obstrue le haut-parleur ou que des objets ont été placés en devant celui-ci.

- Un électricien formé DOIT effectuer tout entretien de cette unité conformément aux directives du NEC et des codes locaux.
- Ne jamais modifier ces appareils d'aucune façon. Note : Faire d'autres ouvertures ou modifications aux modèles 300GCX or 302GCX pourrait compromettre la sécurité de emplacement dangereux.
- Si l'extérieur de l'appareil est peint, il ne faut pas masquer les plaques signalétiques qui comportent des avertissements et autres renseignements d'importance pour le personnel d'entretien.

A. Inspecter périodiquement cet appareil pour vérifier qu'il n'y a aucune substance étrangère dans ou devant le haut-parleur, ce qui réduirait son efficacité.

B. Il faut effectuer une évaluation périodique de la performance de l'appareil à intervalles réguliers.

C. En cas d'ajustement de volume ou d'une autre réparation, assurez-vous de vous reporter au message de sécurité pour le personnel d'entretien avant de continuer.

▲ AVERTISSEMENT

Une réparation ou un dépannage non autorisés de cette unité pourrait entraîner une dégradation de la performance et/ou des dommages aux biens, de sérieuses blessures ou la mort pour vous ou d'autres. Si une unité présente un mauvais fonctionnement, ne pas essayer de réparer sur place ou de remplacer des pièces.

VI. SERVICE.

Federal Signal dépannera votre équipement et vous fournira de l'assistance technique pour tout problème qui ne peut être traité localement.

Tout appareil retourné à Federal Signal pour dépannage, inspection ou réparation doit être accompagné d'une autorisation de retour de matériel (RMA). Votre distributeur local ou un représentant du fabricant peut vous fournir cette RMA.

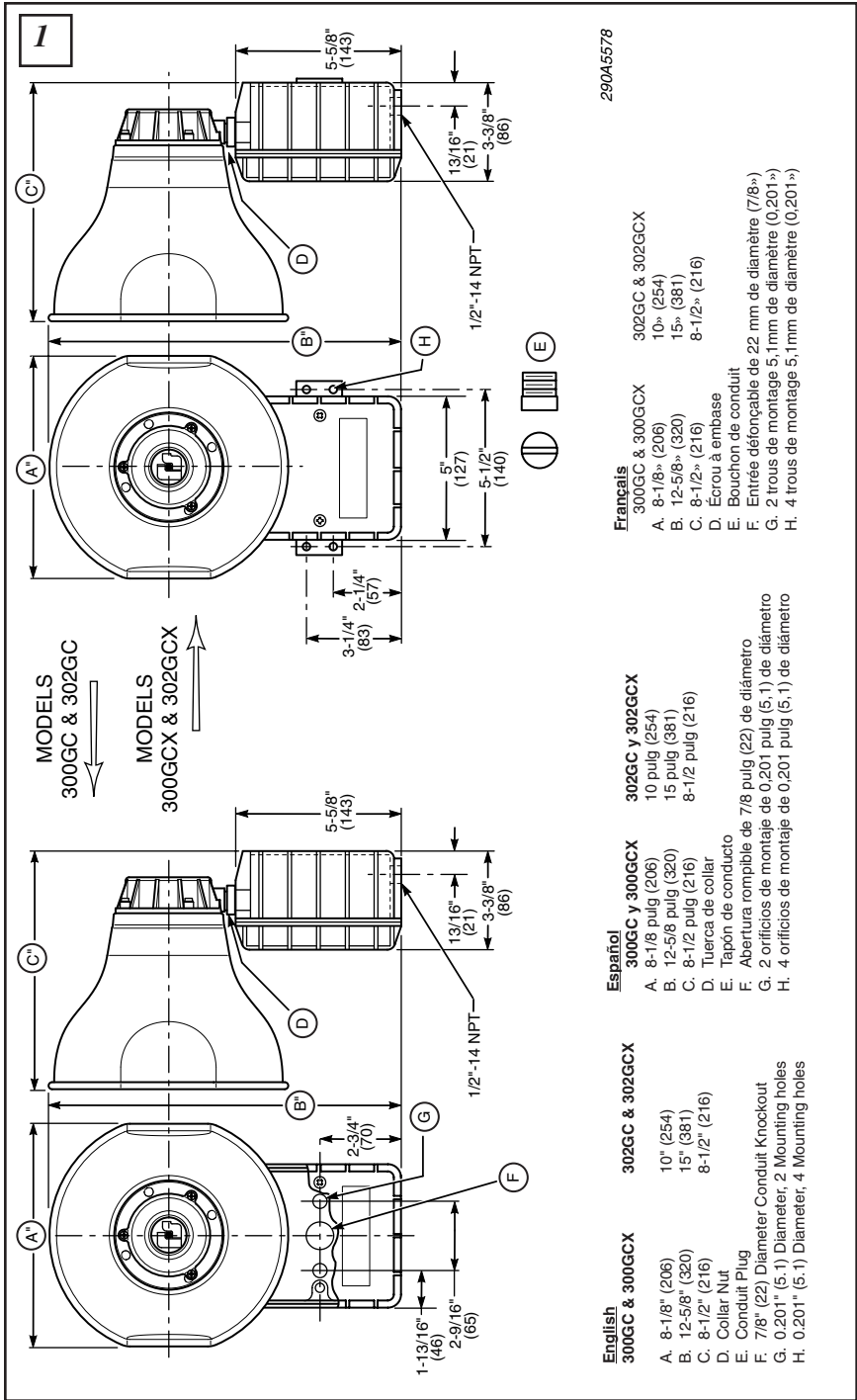
À ce moment-là, vous devrez donner une brève explication du service requis ou de la nature du mauvais fonctionnement.

Adresser toutes les communications et envois à :

Federal Signal Corporation
 Electrical Products Division
 Service Department
 2645 Federal Signal Drive
 University Park, IL 60466-3195

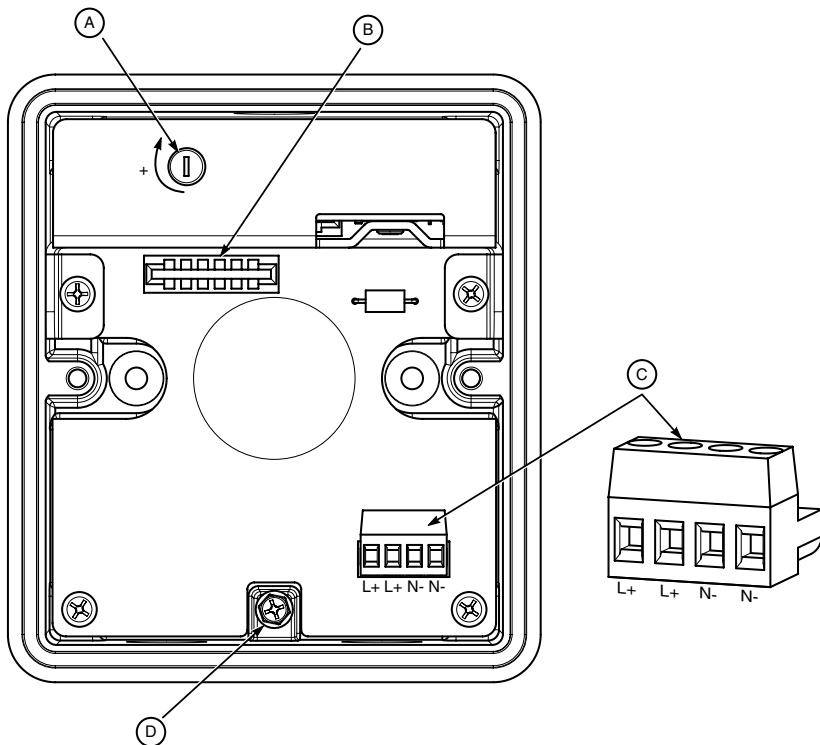
VII. PIÈCES DE RECHANGE (Série D).

<u>Description</u>	<u>Numéro de pièce</u>
Sous-ensemble d'amplificateur, 300GC-024, 300GCX-024	K2005356A-05
Sous-ensemble d'amplificateur, 300GC-120, 300GCX-120, 300GC-240 et 300GCX-240	K2005356A-04
Sous-ensemble d'amplificateur, 302GC-024, 302GCX-024	K2005356A-03
Sous-ensemble d'amplificateur, 302GC-120, 302GCX-120, 302GC-240 et 302GCX-240	K2005356A-02
Circuit d'alimentation d'amplificateur, 300GC-024, 300GCX-024	K2001961A-05
Circuit d'alimentation d'amplificateur, 300GC-120, 300GCX-120 300GC-240 et 300GCX-240	K2001961A-04
Circuit d'alimentation d'amplificateur, 302GC-024, 302GCX-024	K2001961A-03
Circuit d'alimentation d'amplificateur, 302GC-120, 302GCX-120 302GC-240 et 302GCX-240	K2001961A-02
Haut-parleur, 300GC-024, 300GCX-024, 300GC-120, 300GCX-120, 300GC-240 et 300GCX-240	8593082A
Haut-parleur, 302GC-024, 302GCX-024, 302GC-120, 302GCX-120, 302GC-240 et 302GCX-240	8593103A
Transformateur, 300GC-120, 300GCX-120	K120857A
Transformateur, 300GC-240, 300GCX-240	K120858A
Transformateur, 302GC-120, 302GCX-120	K120846A
Transformateur, 302GC-240, 302GCX-240	K120856A
Bobine acoustique, 300GC-120, 300GCX-120, 300GC-240 et 300GCX-240	K8593035A
Bobine acoustique, 302GC-120, 302GCX-120, 302GC-240 et 302GCX-240	K8590246A



290A5578

2



English

- A. Volume Control
- B. Tone/Connector Card Socket
- C. Power Connector Plug
- D. Earth Grounding Terminal

Español

- A. Control de volumen
- B. Receptáculo de la tarjeta de conexión/tono
- C. Tapón del conector de potencia
- D. Terminal de conexión a tierra

Français

- A. Commande de volume
- B. Prise femelle pour carte de connecteur/tonalité
- C. Connecteur d'alimentation
- D. Borne de mise à la terre

290A5579

2562226A
REV. A Printed 9/06
Printed in U.S.A.

Free Manuals Download Website

<http://myh66.com>

<http://usermanuals.us>

<http://www.somanuals.com>

<http://www.4manuals.cc>

<http://www.manual-lib.com>

<http://www.404manual.com>

<http://www.luxmanual.com>

<http://aubethermostatmanual.com>

Golf course search by state

<http://golfingnear.com>

Email search by domain

<http://emailbydomain.com>

Auto manuals search

<http://auto.somanuals.com>

TV manuals search

<http://tv.somanuals.com>