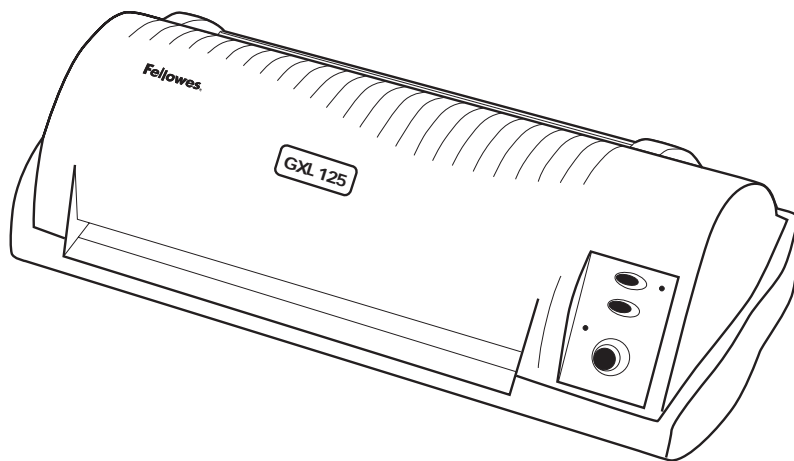


**Fellowes®**



---

**Operating Instructions**

**A**

---

**Mode d'emploi**

**B**

---

**Modo de empleo**

**C**

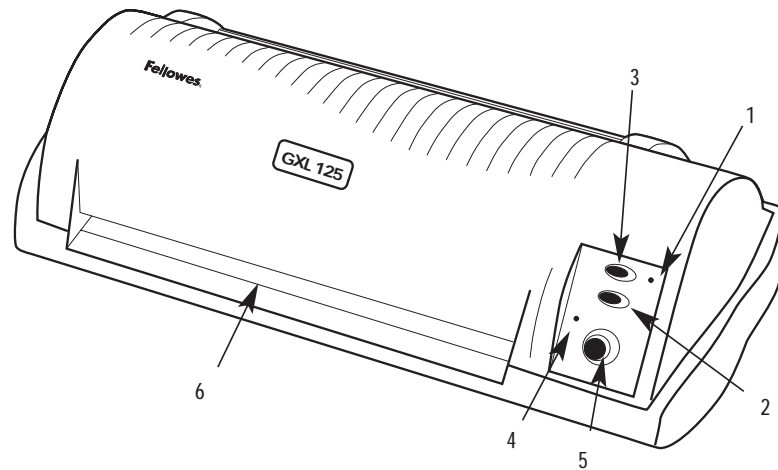
---

Model/Modèle/Modelo:

**GXL 125**

## Equipment Parts

1. Power Light
2. Foam Board/Pouch Selector
3. On/Off Switch
4. Ready Light
5. Temperature Control
6. Loading Area



## Safety Instructions

1. Read all instructions before use. Save these instructions for later use.
2. Follow all warnings and instructions marked on the product.
3. Use the Fellowes laminator only for its intended purpose of laminating documents according to the indicated specifications.
4. Extreme caution should be taken when the appliance is used by or near children or invalids.
5. Do not insert anything in the throat opening of the machine other than carriers with pouches/documents.
6. Do not attempt to remove jammed materials by poking objects into the laminator and particularly do not insert any metal objects such as a letter opener, knife, scissors, paper clips etc., into the laminator.
7. Do not service this product yourself. Opening/removing covers may expose you to dangerous voltage points or other risks, and may void manufacturer's warranty.
8. Place unit in a secure, stable work area to prevent the machine from falling and possibly causing personal injury and damage to the laminator.
9. Wipe exterior only with a damp cloth only when unplugged. Do not use near water. Do not use detergents or solvents.
10. The laminator is intended for indoor use only.
11. Turn laminator off when not in use for an extended period of time.
12. Use laminator in close proximity to electrical outlet. Product must be easily accessible when plugged into outlet.

## Electrical Safeguards

1. The Foam Board Laminator must be connected to a supply voltage corresponding to the electrical rating of the machine as indicated.
2. Unplug the laminator before moving it, or when it is not in use for an extended period of time.
3. Do not let cord hang over edge of counter, or touch hot surfaces.
4. Do not operate the laminator with a damaged cord or plug, or after the laminator malfunctions, has been dropped or is damaged in any manner. Please call customer service at 1-800-945-4545 for information on repairs or adjustments.
5. Do not overload electrical outlets beyond their capacity as this can result in fire or electrical shock.
6. Do not alter attachment plug. Plug is configured for the appropriate electrical supply.

A

B

C

# Operation

A key feature and added benefit of the GXL 125 allows you the versatility of laminating both Foam Boards and Hot Pouches.

## To Start

- Place the laminator on a sturdy, flat work surface. Allow ample clearance behind the laminator for laminated items to exit completely.
- Plug the laminator into a power source that matches the laminator's rate of voltage.

*NOTE: Fluctuating voltage may cause inconsistent lamination or mechanical problems with the laminator. If you suspect voltage problems, use a voltage stabilizer.*

## For Use With Foam Boards

1. Before turning power switch on, verify that the Foam Board\Pouch Selector is positioned correctly in the "Foam Board" location.
2. Turn power on by positioning On/Off switch in the "Heat Only" location. This will allow the machine to pre-heat without engaging the laminating rollers.

*NOTE: During first usage, a small white puff of smoke may appear which is common to a new laminator.*

3. Adjust temperature control to the foam board setting.
4. Wait 2-3 minutes for green ready light to illuminate. This indicates laminator is ready for use.
5. Place item to be laminated onto a Fellowes' foam board by raising laminate cover sheet and inserting document. Center the item for an even border; a border of approximately 1/8" to 1/4" is recommended.
6. Initiate laminating rollers by moving selector to "Heat and Rollers" setting.
7. Insert the foam board, sealed edge first, slowly into the front loading area of the laminator until it engages with the machine.

*NOTE: Heat source located on top of machine. For best results, feed foam board with item to be laminated facing top.*

8. The finished laminated item will automatically exit at the rear of the machine. After the foam board has stopped moving, place it on a flat surface and allow to cool for one minute.
9. Mount easel or hang tab to back of foam board, if desired.
10. Turn the laminator off and unplug after completion of usage.

## For Use With Hot Pouches

1. Before turning power switch on, verify that the Foam Board\Pouch Selector is positioned correctly in the "Pouch" location.
2. Turn power on by positioning On/Off switch in the "Heat Only" location. This will allow the machine to pre-heat without engaging the laminating rollers.

*NOTE: During first usage, a small white puff of smoke may appear which is common to a new laminator.*

3. Adjust the temperature control to correspond with pouch thickness.
4. Wait 2-3 minutes for green ready light to illuminate. This indicates laminator is ready for use.
5. Place item to be laminated into a Fellowes' laminating pouch. Center the item for an even border; a border of approximately 1/8" to 1/4" is recommended.
6. Place pouch into carrier. (Optional, but recommended)
7. Insert the carrier, sealed edge first, slowly into the front loading area of the laminator until it engages with the machine.
8. The finished laminated item will automatically exit at the rear of the machine. After the carrier has stopped moving, place it on a flat surface and allow to cool for one minute.
9. Remove laminated item from carrier.
10. Turn the laminator off and unplug after completion of usage.



# Specifications

## GXL 125

Electrical:	120V
Machine Dimensions : H x W x D	5-1/8" x 22-3/4" x 10-1/4" (130mm x 578mm x 260mm)
Machine Weight:	12 lbs. (5.5 kg)
Maximum Foam Board/Pouch Thickness	(5mm)
Maximum Foam Board/Pouch Width:	12" (305mm)
Maximum Pouch Thickness:	10 mil
Maximum Pouch/Document Thickness:	5/64" (2mm)
Warm-Up Time:	2-3 minutes
Carrier:	Optional for hot pouches but recommended. Not required for foam boards

## Limited Warranty

Fellowes Manufacturing Company warrants all Laminating Machines to be free from defects in material and workmanship for a period of one year from the date of purchase by the original consumer. The exception to this are the rollers which are subject to wear. If any part is found to be defective during the warrant period, your sole and exclusive remedy will be repair or replacement, at Fellowes' option and expense, of the defective part.

This warranty does not apply in cases of abuse, mishandling or unauthorized repair. ANY IMPLIED WARRANTY, INCLUDING THAT OF MERCHANTABILITY OR FITNESS FOR A PARTICULAR PURPOSE, IS HEREBY LIMITED IN DURATION TO THE APPROPRIATE WARRANTY PERIOD SET FORTH ABOVE. In no event shall Fellowes be liable for any consequential or incidental damages attributable to this product. This warranty gives you specific legal rights. You may have other legal rights which vary from state to state. To obtain service under this warranty on machines purchased in the USA, return the machine prepaid to the address below. Please allow two weeks for processing.

**A**

Return with machine:

**B**

- Copy of original sales receipt.
- A card stating your name, address, daytime telephone number, machine model and serial number, plus a brief description of the problem.

**C**

For specific instructions on obtaining service under this warranty on machines purchased outside the USA, contact the appropriate location listed below.

Warrantor: Fellowes Manufacturing Company

**Contact For Service  
Vos Contacts Fellowes  
Sus Contactos Fellowes**

United States	1-800-955-0959
Australia	(In Melbourne) (03) 9330-3211 (Outside Melbourne) 1-800-331-177
Canada	1-800-665-4339
United Kingdom	01302-885 331
Japan	+81-3-5496-2401
Benelux	+31-(0)347-377988
Italia	+39-071730041
Deutschland	+49-5131-49770
France	+33-(0)4-72-08-25-45

**Fellowes.** 1789 Norwood Avenue, Itasca, Illinois 60143-1095 630-893-1600 Customer Service 1-800-945-4545 <http://www.fellowes.com>

<b>Australia</b> Tullamarine, Vic.	<b>Benelux</b> Vianen, NL	<b>Canada</b> Markham, Ont.	<b>France</b> Montanay	<b>France</b> Rennes, I-L	<b>Deutschland</b> Garbsen, Han.	<b>Italia</b> Camerano, AN	<b>Japan</b> Tokyo	<b>United Kingdom</b> Doncaster, S. Yorks.
---------------------------------------	------------------------------	--------------------------------	---------------------------	------------------------------	-------------------------------------	-------------------------------	-----------------------	---

## Free Manuals Download Website

<http://myh66.com>

<http://usermanuals.us>

<http://www.somanuals.com>

<http://www.4manuals.cc>

<http://www.manual-lib.com>

<http://www.404manual.com>

<http://www.luxmanual.com>

<http://aubethermostatmanual.com>

Golf course search by state

<http://golfingnear.com>

Email search by domain

<http://emailbydomain.com>

Auto manuals search

<http://auto.somanuals.com>

TV manuals search

<http://tv.somanuals.com>