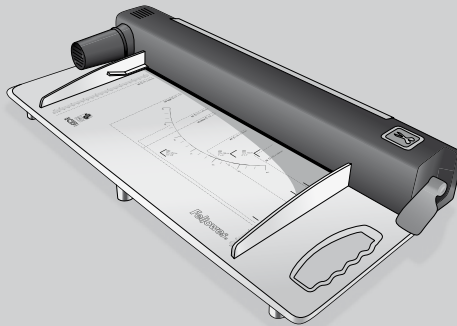




Electric Paper Trimmer

PowerTrim™

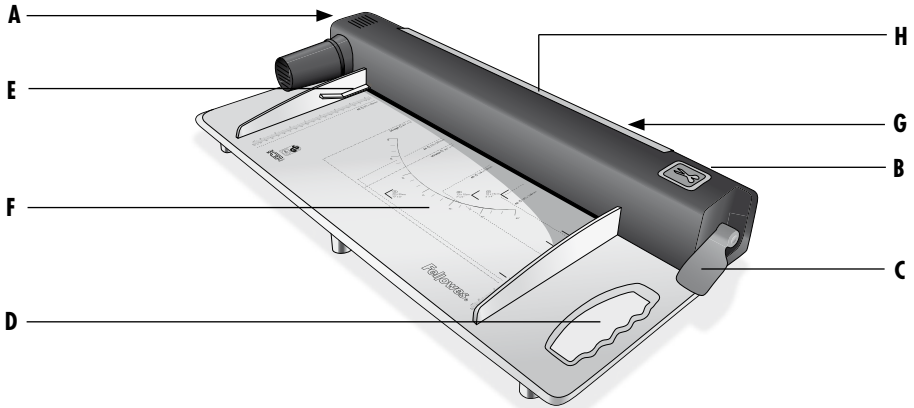


- E** Please read these instructions before use.
- F** Lire ces instructions avant utilisation.
- S** Lea estas instrucciones antes del usarlo.

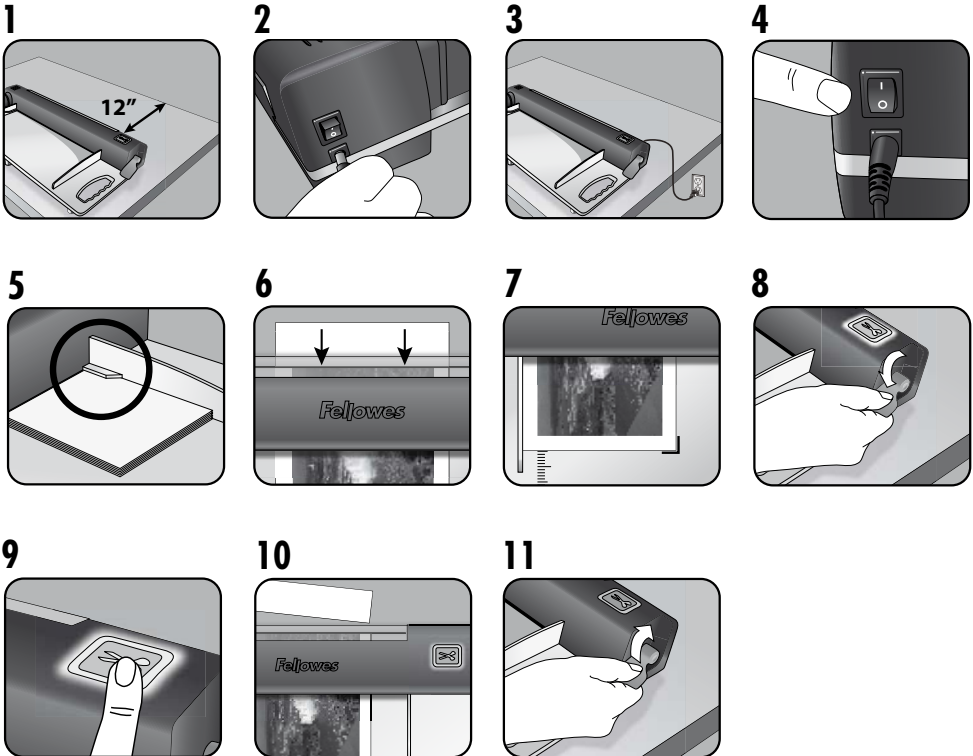
INDEX

TRIMMER CONTROLS / QUICK START GUIDE	3
ENGLISH	4-9
FRANCAIS	10-15
ESPAÑOL	16-21

TRIMMER CONTROLS



QUICK START GUIDE



CAPABILITIES

Performance

Cutting length	16.5" / 420mm
Max cutting capacity	30 sheets / 20lb
Trimming mechanism	Electric trimming
PowerSave Auto Shut-off	30min

Technical Data

Main voltage	120V AC
Frequency	50/60Hz
Wattage	80 Watts
Amps	1.8 Amps Max.
Machine rating	24V DC / 1.8 Amps
Dimensions (WxDxH)	24.5" x 12" x 4.75" / 620 x 300 x 120mm
Net weight	11lbs / 5 kg

IMPORTANT SAFETY INSTRUCTIONS



CAUTION: Please read before use and keep for future reference.

Warning - blades are extremely sharp when exposed.

When trimming:

- DO** ensure the machine is on a stable surface.
- DO** plug the machine into an easily accessible socket.
- DO** test cuts on scrap sheets before trimming final documents.
- DO** remove staples and other metal articles prior to trimming.
- DO** keep the machine away from heat and water sources.
- DO** turn off the machine after each use.
- DO** switch off and unplug PowerTrim when not in use.

- DO NOT** leave the power cord in contact with hot surfaces.
- DO NOT** leave electric cord hanging from cupboards or shelves.
- DO NOT** use appliance if the power cord is damaged.
- DO NOT** exceed the machines quoted performance.
- DO NOT** open or attempt to repair, as this will void your warranty. Contact Customer Service if you have any questions.

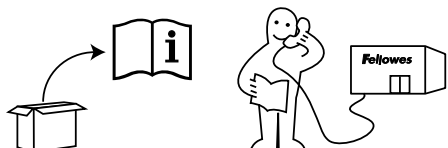
PRODUCT REGISTRATION

Thank you for purchasing a Fellowes product. Please visit www.fellowes.com/register to register your product and benefit from product news, feedback and offers. Product details can be found listed on the rating plate positioned on the rear side or underside of the machine.

NEED HELP?

Let our experts help you with a solution. You'll find the numbers for your nearest service center on the back cover of this manual.

Customer Service: **www.fellowes.com**



TRIMMER CONTROLS

A	On/off switch (at side)	E	Overload protection - Paper gauge
B	Cut-Control LED touch pad	F	Illuminated LED cutting bed
C	SafeCut™ Clamp	G	SafeCut™ Guard (at rear) to protect internal mechanism - with power breaker (magnetic closure)
D	Carry point	H	Window for paper alignment

FEATURES & TIPS

FEATURES



SafeCut™ Guard

Ensures that power supply is stopped when guard is opened – for service and maintenance.



SafeCut™ Clamp

Ensures that paper is securely clamped before trimming – trimmer won't cut when **SafeCut™ Clamp** is not closed.



Electric trimming

The ultimate trimming solution for safety and comfort – PowerTrim Electric trimming.



Cut Control function

LED touch pad with Start-Stop function to start and stop trimming. User can stop trimming if finished before cycle of 6 cuts has ended.

TIPS

- Always clamp paper down with **SafeCut™ Clamp** before trimming.
- Make sure paper is properly adjusted.
- Replace blade unit every 2000 cuts and cutting strip every 500 cuts or when showing signs of wear. Item number for accessory pack # 54125.
- Align cut line with the outer edge of the orange trimline. For best results, mark the exact cut position on the item before trimming and try trimming a test sheet.

WORLDWIDE WARRANTY

Fellowes warrants all parts of the trimmer to be free of defects in material and workmanship for 2 years from the date of purchase by the original consumer. If any part is found to be defective during warranty period, your sole and exclusive remedy will be repair or replacement, at Fellowes' option and expense, of the defective part. This warranty does not apply in cases of abuse, mishandling or unauthorized repair. Any implied warranty, including that of merchantability or fitness for particular purpose, is hereby limited in duration to the appropriate warranty period set forth above. In no event shall Fellowes be liable for any consequential or incidental damages attributable to this product. This warranty gives you specific legal rights. You may have other legal rights that vary from this warranty. The duration, terms and conditions of this warranty are valid worldwide, except where different limitations, restrictions or conditions may be required by local law. For more details or to obtain services under this warranty, please contact Fellowes or your dealer.

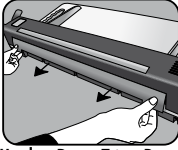
BEFORE TRIMMING

1. Ensure the machine is on a stable surface. Check that there is enough clear space behind the machine to allow trimmed items to pass through freely.
2. Connect the supplied power lead to the machine.
3. Plug the power lead in to an easily accessible main socket. Switch the main supply on.

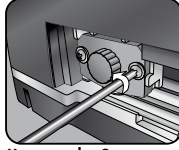
STEPS TO TRIM

4. Switch the power on.
5. Insert document to trim. Use the document gauge at the sides of the cutting base to check that items do not exceed maximum capacity.
6. Use transparent window with orange trimline guide to quickly and accurately align your cuts. Align cut line with the outer edge of the orange trimline. For best results, mark the exact cut position on the item before trimming and try trimming a test sheet.
7. Alternatively, align item with the cut dimensions on the base of the trimmer.
8. Secure document with **SafeCut™ Clamp**, the Cut-Control LED touch pad will light up blue.
9. To trim press the Cut-Control LED touch pad. When touched, the Cut-Control LED will light up in pink and then turn flashing blue when it is cutting.
10. PowerTrim will complete 3 cut cycles (of 6 cuts) for cutting max 30 sheets (20lb). To stop cutting press the Cut-Control LED touch pad.
11. Release clamping mechanism again before removing items from cutting bed.

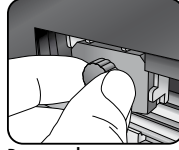
BLADE UNIT REPLACEMENT



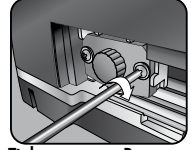
Unplug PowerTrim. Remove **SafeCut™ Guard** (magnetic catch).



Unscrew the 2 cross head screws on either side of the cutter blade unit (Phillips type screwdriver).

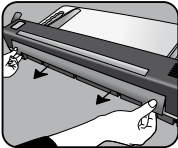


Remove the cutter blade unit by pulling the button on the blade unit. Replace with new blade unit (#54125).



Tighten screws. Re-secure **SafeCut™ Guard**.

CHANGING CUTTING STRIPS



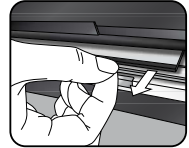
Unplug PowerTrim. Remove **SafeCut™ Guard** (magnetic catch).



Make sure **SafeCut™ Clamp** is open.



Rotate small safety catches to release the cutting strip. Turn cutting strip over to use other side of the strip. When all areas have been used, replace cutting strip with new one from accessory pack (#54125). Re-secure cutting strip and **SafeCut™ Guard** again.



REPLACEMENT ACCESSORIES

The following replacement parts are available for PowerTrim as a combined accessory pack (#54125):

Item	Required
1 blade unit	After 2000 cuts
2 cutting strips	After 500 cuts

TROUBLESHOOTING AND LED INDICATORS

Status	Possible Cause	Solution
Scissor icon is ON. Base LED lights are ON	Ready to trim (clamped down and all covers closed)	-
Scissor Icon is OFF. Base LED lights are ON	SafeCut Clamp is open	Insert item and close SafeCut Clamp
Scissor Icon is OFF. Base LED lights are OFF	No power	Turn on main supply and switch on machine
	SafeCut Guard is open	Ensure SafeCut Guard is correctly closed
Scissor icon is PINK + beep sound	Touched scissor icon	-
Scissor icon flashing BLUE (FAST). Base lights are ON	Trimming in progress	-
Scissor icon flashing BLUE (SLOW). Base lights are OFF	PowerSave mode	Touch scissor icon.
Paper is cut, machine is still operating	Machine will cut for 3 cut cycles (or 6 cuts) automatically	Touch scissor icon.
Scissor icon flashes RED and BLUE. Base lights are ON	Error	Check SafeCut Clamp is closed and SafeCut Guard is correctly closed
Scissor icon is RED. Base lights are OFF	Error. Machine is hot	Machine must cool for 30 minutes (minimum)
Poor cut quality	Worn cutting strips or worn blades	Flip cutting strip and use reverse side. Check blade quality. Replace from accessory pack (CRC 54125)



Useful Phone Numbers

FCC CLASS B NOTICE

Note: This equipment has been tested and found to comply with the limits for a Class B digital device, pursuant to part 15 of the FCC Rules. These limits are designed to provide reasonable protection against harmful interference in a residential installation. This equipment generates, uses and can radiate radio frequency energy and, if not installed and used in accordance with the instructions, may cause harmful interference to radio communications. However, there is no guarantee that interference will not occur in a particular installation. If this equipment does cause harmful interference to radio or television reception, which can be determined by turning the equipment off and on, the user is encouraged to try to correct the interference by one or more of the following measures:

- Reorient or relocate the receiving antenna.
- Increase the separation between the equipment and receiver.
- Connect the equipment into an outlet on a circuit different from that to which the receiver is connected.
- Consult the dealer or an experienced radio/TV technician for help.

CANADA CLASS B NOTICE - AVIS CANADA, CLASSE B

This Class B digital apparatus complies with Canadian ICES-003.

Cet appareil numérique de la classe B est conforme à la norme NMB-003 du Canada.

MODIFICATIONS

Any modifications made to this device that are not approved by Fellowes may void the authority granted to the user by the FCC and/or by Industry Canada to operate this equipment.

Toutes modifications apportées à ce dispositif et non approuvées par Fellowes annuleront le droit accordé à l'utilisateur par le FCC et/ou par Industrie Canada de faire fonctionner cet équipement.

Fellowes

Australia +61-3-8336-9700

Benelux +31-(0)-76-523-2090

Canada +1-905-475-6320

Deutschland +49-(0)-5131-49770

España / Portugal + 34 902 33 55 69

France +33-(0)-1-30-6-86-80

Italia +39-71-730041

Japan +81-(0)-3-5496-2401

Korea +82-(0)-2-3462-2844

Malaysia +60-(0)-35122-1231

Polska +48-(22)-771-47-40

Russia +7-(495)-228-14-03

Singapore +65-6221-3811

United Kingdom +44-(0)-1302-836836

United States +1-630-893-1600



1789 Norwood Avenue, Itasca, Illinois 60143-1095 • USA • 630-893-1600

fellowes.com

Australia Canada Deutschland France Japan Polska United Kingdom
Benelux China España Italia Korea Singapore United States

Free Manuals Download Website

<http://myh66.com>

<http://usermanuals.us>

<http://www.somanuals.com>

<http://www.4manuals.cc>

<http://www.manual-lib.com>

<http://www.404manual.com>

<http://www.luxmanual.com>

<http://aubethermostatmanual.com>

Golf course search by state

<http://golfingnear.com>

Email search by domain

<http://emailbydomain.com>

Auto manuals search

<http://auto.somanuals.com>

TV manuals search

<http://tv.somanuals.com>