

Passport

P10W Personal Wireless Sound System



U s e r s

G u i d e

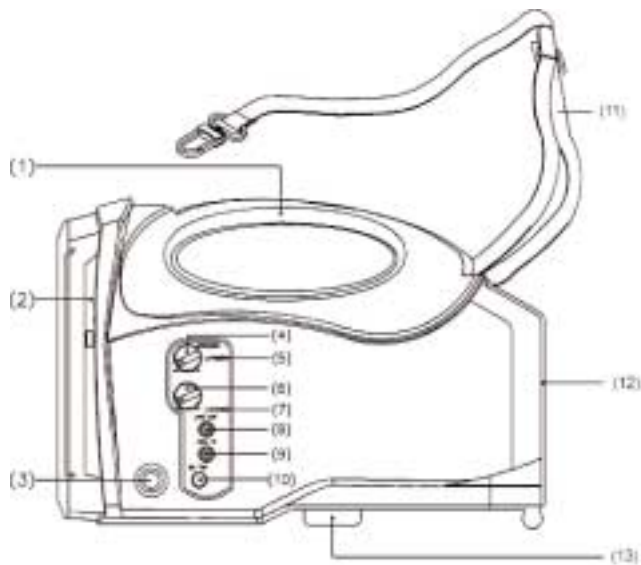


Thank you for selecting the Fender Passport P10W Personal Wireless Sound System. Fender's Passport brand of products are known for their portability, ease of use, innovative design, exceptional quality and value. We think you will find the same qualities in your new P10W. Before operating the P10W, please read this instruction manual thoroughly and familiarize yourself with the features and operation of your new sound system.

Your P10W was carefully packed at the factory. The carton should contain:

- 1 - P10W Main unit
- 1 - AC to DC power adapter
- 1 - AC cord (appropriate for country where P10 was purchased)
- 1 - Wireless electret-condenser microphone

If any items are missing, please contact the authorized Fender retailer where you purchased the P10.



The P10W is a battery powered, wireless personal portable sound system. It is ideal for any situation where you need to raise the level of your voice (or other audio source) to effectively communicate with a group of people. The P10W is perfect for teachers, tour guides, auctioneers, presentations, crowd control situations, emergency personnel, coaches, zoos, museums... anyone, anywhere.

Overview of Features

- (1) Molded Carry Handle
- (2) 5" Full-Range Loudspeaker
- (3) 1/4" (6.3mm) Input Jack.
This is a mic level input jack. Use this jack to plug in a wired microphone if necessary (second mic input).
- (4) Power Switch/ Wireless Mic Volume Control.
A click-off position is located at the fully counter-clockwise position. Rotating the control clockwise increases the output volume of the wireless microphone.
- (5) Power Indicator Light (glows red when power is on).
- (6) 1/4" Input Level Control
Adjusts the level of the microphone plugged into the 1/4" jack (#3).
- (7) Battery Charge Indicator.
 - Red light indicates battery is low and needs charging.
 - Green, blinking indicates charging in progress.
 - Solid green indicates battery is fully charged.
- (8) Line Out Jack.
Allows you to send the audio signal from the P10W to an external amplifier, mixer or recording device.
- (9) 1/8" (3.5mm) Auxiliary Input (for connecting CD, Cassette, or audio line output from another device like a computer sound card).
- (10) DC Power Input Jack (plug in the battery charger here).
- (11) Shoulder Strap.
- (12) Battery Compartment (shoulder strap can be stored in here).
- (13) Mic Stand Adapter.

Operation

Very Important! - Before you use your P10, you must charge the battery for at least four hours (or until the Battery Charge Indicator indicates the battery is fully charged)

Using the wireless microphone

The wireless microphone runs off a 9v battery (not included). Unscrew the cylindrical end of the mic to access the battery compartment.

- Turn on the P10W
- Turn on the wireless microphone
- Adjust the volume control (#4) to the desired volume.

The wireless microphone included with your P10W is a high-quality microphone designed for use with voice or instruments. The receiver is built into the P10W. The transmission range (how far away you can move the microphone away from the receiver) is well over 60 feet. Keep in mind that many household and office appliances, as well as overhead fluorescent lights, or lights on dimmer switches can cause interference with your wireless transmission. If this happens, simply move the P10W or move the microphone to an area where you receive clear transmission. In most cases, this should be no more than a few feet.

Wireless Flexibility - The Passport Way

The P10W is available in two wireless frequencies - 169.505MHz and 171.905MHz. The wireless frequency of your P10W is printed on the bottom of the microphone and the bottom of the main unit. These same frequencies are available as wireless systems for other Passport products.

The output of the wireless microphone (the transmitter) is sent all around you. This means that if you had several P10W's (all the same frequency) they would all receive the signal from your microphone. Think of it as a paging system - put P10's in every room of your house or office and when you speak into the microphone, your voice comes out of all the speakers - each with their own volume controls!

A powerful feature is that one microphone can send signals to different Passport systems. For example, an airline ticketing agent is using a P10W as a communication tool at their gate. Larger Passport systems (P150 or

P250) equipped with wireless receivers are set up throughout the terminal. As the agent announces events taking place at that gate, everyone in the terminal can also hear the information.

Using the secondary 1/4" microphone input

- You must use a microphone that has a cable with a 1/4" connector. Plug the 1/4" end of the mic cable into the 1/4" Input Jack on the P10W (#3).
- Adjust the 1/4" input level control (#6) to desired volume.

Connecting another audio source to the P10W

- The 1/8" Auxiliary input jack (#7) is available to connect a CD or Cassette player to the P10W.
- Connect the device's audio output to the 1/8" Auxiliary Input on the P10W.
- Turn the Volume Control (#4) clockwise to turn on the P10W, and adjust to desired volume.

Connecting the line output to another piece of equipment

The 1/8" line output is available to send the audio signal(s) from the P10W to another piece of equipment. For example, if you want to record a presentation (or you singing!) you can connect this output jack to the input jack of a cassette recorder.

The level of the audio from this jack is adjusted with the wireless mic (main) volume control (#4).

Charging the Battery

Very Important! - Before you use your P10W, you must charge the battery for at least four hours (or until the Battery Charge Indicator indicates the battery is fully charged).

The P10W has an auto turn-off protection circuit. When the battery charge is weak, the unit will automatically turn off to prevent damaging the battery. If this happens, turn off the unit and recharge the battery.

AC to DC power adapter

A power adapter is supplied with your P10W. This adapter is used to recharge the battery. It is not designed to power the P10W from an AC source. Make sure the P10W is turned off when recharging the battery.

The power adapter converts AC power to DC power. The output of the power adapter is 18V DC. (The inner section of the connector is positive).

Charging the Battery

Plug the barrel end of the cord into the DC power input jack (#10) and plug the AC end into your AC power source.

Charging will begin immediately and the Battery Charge Indicator (#7) will show a blinking green light.

Battery Charge Indicator.

- Red light indicates battery is low and needs charging.
- Green, blinking indicates charging in progress.
- Solid green indicates battery is fully charged.

If the indicator does not immediately start to blink green, it may be due to excessive power drain of the battery. This is normal. The indicator should begin to blink after 10 to 15 minutes. If the battery charge indicator fails to light, it may be due to a faulty battery.

Replacing, or using a second Battery

With proper care and charging, it is unlikely that it will be necessary to replace the battery in the P10W. If you plan on using the P10W for extended periods of time, you may want to purchase a second battery. The battery is a standard 12 volt 2.7 amp gel cell and is available from Fender directly, or from Authorized Fender Audio dealers. (Part number 005-7535-000).

To replace the battery:

- Open the battery compartment by pressing down on the two tabs at the top of the battery compartment. The door will hinge down.
- The battery is “spring loaded” behind an interior rear panel. Remove this panel by sliding it upwards.
- Remove the battery by pulling it out of the compartment. Replace the battery with another. The terminals on the battery should be on the “top” as you slide it into the compartment.
- Press the battery into the unit and replace the interior rear panel.
- Close the compartment door. Lift up the two tabs until they “click” into place.

Tips on correctly using the microphone

Getting good results with a microphone is largely due to proper microphone technique. Hold the microphone directly in front of your mouth. Picture yourself eating a lollipop. The lollipop stick is the “body” of the microphone. This is the proper angle you should be holding the microphone in relation to your mouth.

The distance the microphone is held away from your mouth is largely dependent on how loud you speak. It is common for performers or presenters to “eat the mic”. This is term used for someone who keeps the microphone grill in contact with their lips at all times. You will find that if you use the microphone this way, you can speak in a normal voice and be heard clearly. Speaking loudly can cause your voice to distort.

Experiment with what is most comfortable for you. Keep these few items in mind.

- The closer the mic is to your mouth, the louder you will be.
- The closer the mic is to your mouth, the “fuller” your voice will be (this is called “proximity effect” where bass frequencies increase when you move closer to a microphone).
- The closer your mouth is to the microphone, the lower you can set the overall output. This lessens the opportunity for feedback to occur (that awful squealing that occurs when a microphone gets too close to a speaker).

Product Specifications

Model	Passport P10W	120v 169.505MHz	069-1120-001
		120v 171.905MHz	069-1120-002
	Euro	230v 169.505MHz	069-1120-061
	Euro	230v 171.905MHz	069-1120-062
	UK	230v 169.505MHz	069-1120-041
	UK	230v 171.905MHz	069-1120-042

(only difference is AC line cord plug style)

Wireless

Carrier 169.505MHz or 171.905Mhz VHF

Oscillation Quartz-Controlled

Max. Deviation 15 kHz

Antenna Built in

Sensitivity 12dBmV @ S/N > 80dB

Power Output 27 watts (RMS)

THD < 1%

Freq. Response 50Hz - 15kHz +/- 3dB

Audio Input Built in wireless receiver, 1/4" mic, 1/8" line

Speaker type 5" full-range, 4 ohm

Power Supply Intelligent charger 90-260VAC input
18V DC +2.5A output (inner contact is positive)

Battery 12v/ 2.7amp hour rechargeable gel cell

Charging Time 4 hours

Operating Time Up to eight hours talk time

Dimensions (In) 11.2 L x 6.3 W x 7.0 H

(mm) 285 L x 160 W x 178 H

Weight 6.5 lbs. / 2.95 Kgs (with battery)

Be sure to register your purchase at www.fender.com

Replacement parts

Replacement parts are available through your Authorized Fender Audio dealer, Service Center or from Fender Musical Instruments directly.

Wireless Microphone	169.505MHz	069-1102-001
Wireless Microphone	171.905MHz	069-1102-002
Shoulder Strap		005-7527-000
Universal Power Adapter		005-7530-000
AC Power Cord		
	120v	005-7531-000
	230v Euro	005-7532-060
	230v UK	005-7533-040
	100v	005-7534-070
Rechargeable Battery		005-7535-000

Recommended Accessories

(for more information go to www.fenderaudio.com)

Microphone Kit (wired mic)	069-9000-000
Executive Transmitter Kit 169.505MHz	069-1103-001
Executive Transmitter Kit 171.905MHz	069-1103-002

Includes a headset mic, a lavalier mic, an instrument cable- all interchangeable with a belt pack transmitter (also included).

Custom Docking Wireless Receivers for Passport P150 and P250 systems (for equipping larger Passport systems with a wireless receiver on the same frequency as your P10W system).

Passport Docking Receiver 169.505MHz	069-1101-001
Passport Docking Receiver 171.905MHz	069-1101-002

A Product of
Fender Musical Instruments Corporation
Corona, CA USA
Crafted in Taiwan

www.fender.com

www.fenderaudio.com

Pt # 005-7537-000

Free Manuals Download Website

<http://myh66.com>

<http://usermanuals.us>

<http://www.somanuals.com>

<http://www.4manuals.cc>

<http://www.manual-lib.com>

<http://www.404manual.com>

<http://www.luxmanual.com>

<http://aubethermostatmanual.com>

Golf course search by state

<http://golfingnear.com>

Email search by domain

<http://emailbydomain.com>

Auto manuals search

<http://auto.somanuals.com>

TV manuals search

<http://tv.somanuals.com>