

## **Instruction manual**

Page 6 - 13

***IMPORTANT:*** Read and understand all instructions before using.

## **Guide d'utilisation**

Page 14 - 23

***IMPORTANT:*** Lire et comprendre toutes les instructions avant de démarrer les travaux.

## **Manual de instrucciones**

Pagina 24 - 33

***IMPORTANTE:*** Lea y comprende todas las instrucciones antes de usar.

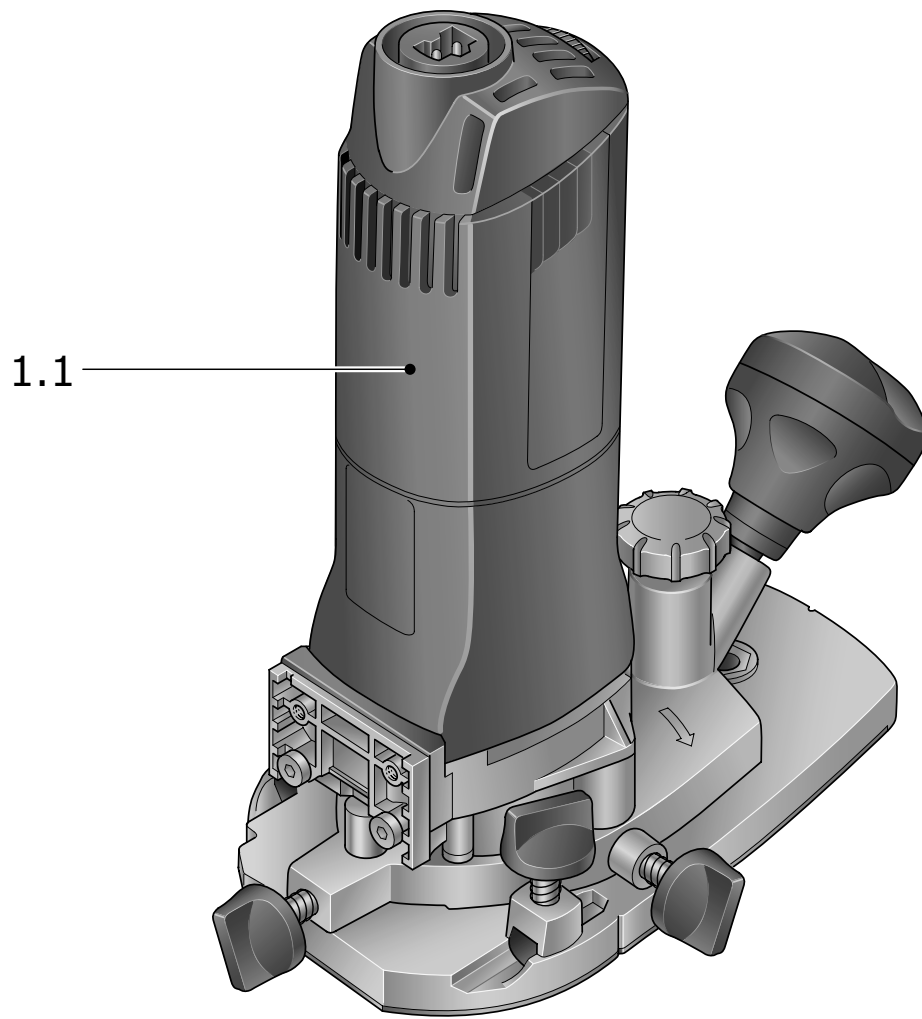
Instruction manual  
Guide d'utilisation  
Manual de instrucciones

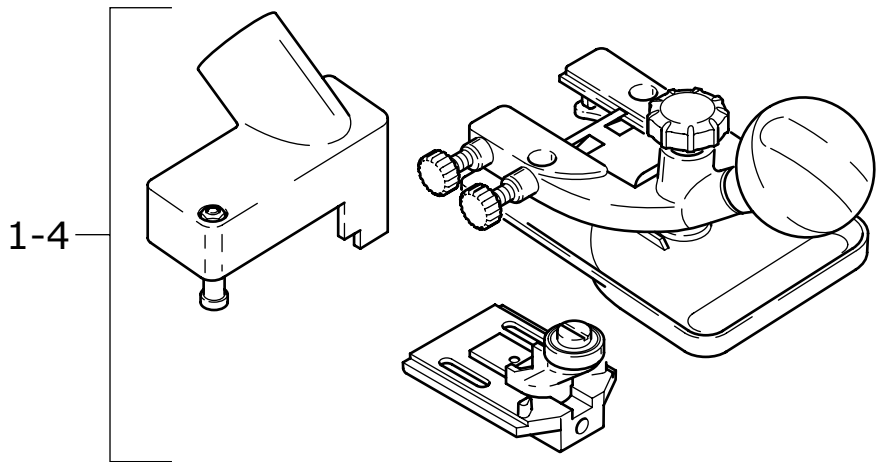
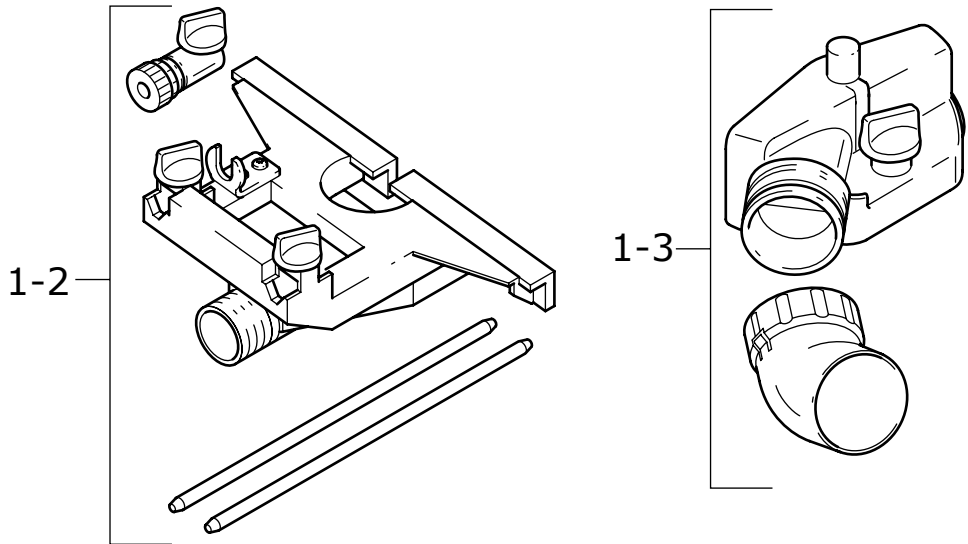
## **MFK 700**











## Table of contents

<b>Safety rules</b>	<b>6</b>
<b>Technical data</b>	<b>8</b>
<b>Symbols</b>	<b>8</b>
<b>Scope of delivery</b>	<b>8</b>
<b>Intended use</b>	<b>8</b>
<b>Electrical connection</b>	<b>8</b>
Switching the machine on and off	9
<b>Tool settings</b>	<b>9</b>
Electronic control	9
Changing the router table	9
Changing the routing tool	10
Changing the clamping collet	10
Adjusting the routing depth	11
Dust extraction	11
<b>Working with the machine</b>	<b>11</b>
Machine guidance methods	11
Aluminium processing	12
<b>Service and maintenance</b>	<b>12</b>
<b>Accessories, tools</b>	<b>12</b>
<b>Warranty</b>	<b>13</b>

## Safety rules

### General safety rules

**⚠️ WARNING** Read and understand all instructions. Failure to follow all instructions listed below may result in electric shock, fire and/or serious personal injury.

#### SAVE THESE INSTRUCTIONS

### 1) Work area safety

- a) Keep work area clean and well lit.** Cluttered and dark areas invite accidents.
- b) Do not operate power tools in explosive atmospheres, such as in the presence of flammable liquids, gases or dust.** Power tools create sparks which may ignite the dust or fumes.
- c) Keep children and bystanders away while operating a power tool.** Distractions can cause you to lose control.

### 2) Electrical safety

- a) Power tool plugs must match the outlet. Never modify the plug in any way. Do not use any adapter plugs with earthed (grounded) power tools.** Unmodified plugs and matching outlets will reduce risk of electric shock.
- b) Avoid body contact with earthed or grounded surfaces such as pipes, radiators, ranges and refrigerators.** There is an increased risk of electric shock if your body is earthed or grounded.
- c) Do not expose power tools to rain or wet conditions.** Water entering a power tool will increase the risk of electric shock.
- d) Do not abuse the cord. Never use the cord for carrying, pulling or unplugging the power tool. Keep cord away from heat, oil, sharp edges or moving parts.** Damaged or entangled cords increase the risk of electric shock.
- e) When operating a power tool outdoors, use an extension cord suitable for outdoor use.** Use of a cord suitable for outdoor use reduces the risk of electric shock.

### 3) Personal safety

- a) Stay alert, watch what you are doing and use common sense when operating a power tool. Do not use a power tool while you are tired or under the influence of drugs, alcohol or medication.** A moment of inattention while operating power tools may result in serious personal injury.
- b) Use safety equipment. Always wear eye protection.** Safety equipment such as dust mask, non-skid safety shoes, hard hat, or hearing protection used for appropriate conditions will reduce personal injuries.
- c) Avoid accidental starting. Ensure the switch is in the off position before plugging in.** Carrying power tools with your finger on the switch or plugging in power tools that have the switch on invites accidents.
- d) Remove any adjusting key or wrench before turning the power tool on.** A wrench or a key left attached to a rotating part of the power tool may result in personal injury.
- e) Do not overreach. Keep proper footing and balance at all times.** This enables better control of the power tool in unexpected situations.

**f) Dress properly. Do not wear loose clothing or jewellery. Keep your hair, clothing and gloves away from moving parts.** Loose clothes, jewellery or long hair can be caught in moving parts.

**g) If devices are provided for the connection of dust extraction and collection facilities, ensure these are connected and properly used.** Use of these devices can reduce dust related hazards.

#### 4) Tool use and care

**a) Do not force the power tool. Use the correct power tool for your application.** The correct power tool will do the job better and safer at the rate for which it was designed.

**b) Do not use the power tool if the switch does not turn it on and off.** Any power tool that cannot be controlled with the switch is dangerous and must be repaired.

**c) Disconnect the plug from the power source before making any adjustments, changing accessories, or storing power tools.** Such preventive safety measures reduce the risk of starting the power tool accidentally.

**d) Store idle power tools out of the reach of children and do not allow persons unfamiliar with the power tool or these instructions to operate the power tool.** Power tools are dangerous in the hands of untrained users.

**e) Maintain power tools. Check for misalignment or binding of moving parts, breakage of parts and any other condition that may affect the power tools operation. If damaged, have the power tool repaired before use.** Many accidents are caused by poorly maintained power tools.

**f) Keep cutting tools sharp and clean.** Properly maintained cutting tools with sharp cutting edges are less likely to bind and are easier to control.

**g) Use the power tool, accessories and tool bits etc., in accordance with these instructions and in the manner intended for the particular type of power tool, taking into account the working conditions and the work to be performed.** Use of the power tool for operations different from

those intended could result in a hazardous situation.

#### 5) Service

**a) Have your power tool serviced by a qualified repair person using only identical replacement parts.** This will ensure that the safety of the power tool is maintained.

### Specific Safety Rules

**a) Hold power tools by insulated gripping surfaces when performing an operation where the cutting tool may contact hidden wiring or its own cord.** Contact with a "live" wire will make exposed metal parts of the tool "live" and shock the operator.

**b) Use clamps or another suitable means to support and secure the workpiece to a stable platform.** Holding the workpiece by hand or against your body is unstable and may lead to loss of control.

#### Health hazard by dust

**⚠ WARNING** Various dust created by power sanding, sawing, grinding, drilling and other construction activities contains chemicals known (to the State of California) to cause cancer, birth defects or other reproductive harm. Some examples of these chemicals are:

- lead from lead-based paints,
- crystalline silica from bricks and cement and other masonry products, and
- arsenic and chromium from chemically-treated lumber.

The risk from these exposures varies, depending on how often you do this type of work.





To reduce your exposure to these chemicals: work in a well ventilated area, and work with approved safety equipment, such as dust masks that are specially designed to filter out microscopic particles. Wash hands after handling.

**⚠ WARNING TO REDUCE THE RISK OF INJURY, USER MUST READ AND UNDERSTAND INSTRUCTION MANUAL.**

## Technical data

Power consumption	720 W
Rotational speed (no load)	10000 - 26000 rpm
Tool holder	8 mm (0.31")
optional:	6 mm (0.24")
	1/4"(6.35 mm)
Max. routing tool diameter	26 mm (1")
Weight	1.9 kg (4.2 lbs)
Safety	□/II

## Symbols

V	Volts
A	Amperes
Hz	Hertz
~	Alternating current
$n_0$	No load speed
□	Class II Construction
rpm	Revolutions or reciprocation per minute
∅	Diameter
	Warning of general danger
	Read the Operating Instructions/ Notes!
▶	Advice or tip

## Scope of delivery

The pictures for the scope of delivery are on a fold-out page at the beginning of the instruction manual. When reading of the manual you can fold out this page for having always an overview of the machine.

- [1-1] MFK 700 with large surface router table
- [1-2] Side stop with guide rods and fine adjuster
- [1-3] Extraction hood for large surface router table with extractor connector
- [1-4] Router table for edge veneer with feeler roller and extraction hood (only in SET scope of delivery)

## Intended use

The MFK 700 EQ is designed for routing wood, plastic and similar materials.

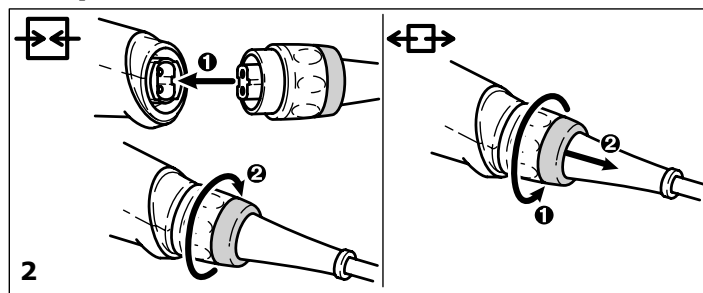
**⚠ WARNING** The user shall be responsible and liable for damages and accidents resulting from misuse or abuse of this tool.

## Electrical connection

The network voltage must conform to the voltage indicated on the rating plate. A 16 A safety fuse (for 120 V) or a corresponding protective circuit-breaker is required.

See the following figure [2] for connection and disconnection of the power cable.

**⚠ WARNING** Always switch the machine off before connecting or disconnecting the power cable!



## Extension cable

If an extension cable is required, it must have a sufficient cross-section so as to prevent an excessive drop in voltage or overheating. An excessive drop in voltage reduces the output and can lead to failure of the motor. The table below shows you the correct cable diameter as a function of the cable length for the MFK 700. Use only U.L. and CSA listed extension cables. Never use two extension cables together. Instead, use one long one.

Total Extension Cord Length (feed)	25	50	100	150
Cord size (AWG)	18	16	16	14



### Note:

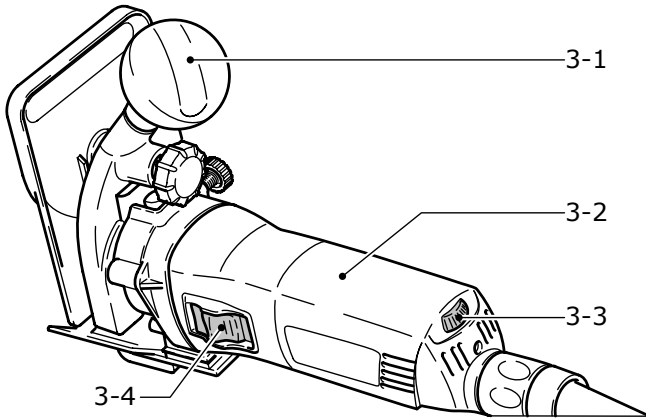
- ▶ The lower the AWG number, the stronger the cable.



## Switching the machine on and off

**⚠ WARNING** Keep the machine steady during switching and during use by holding the handles [3-1] [3-2] with both hands.

The switch [3-4] is an on/off switch (I = ON, 0 = OFF).



## Tool settings

**⚠ WARNING** Disconnect the plug from the power source before making any adjustments, changing accessories, or storing power tools.

## Electronic control

The machine features full-wave electronics with the following properties:

### Smooth start-up

The electronically controlled smooth start-up function ensures that the machine starts up smoothly.

### Speed control

You can regulate the rotational speed steplessly between 10000 and 26000 rpm using the adjusting wheel [3-3]. This enables you to optimise the cutting speed to suit the respective material.

### Constant speed

The preselected motor speed remains constant through electronic control. This ensures a uniform cutting speed even when under strain.

### Temperature control

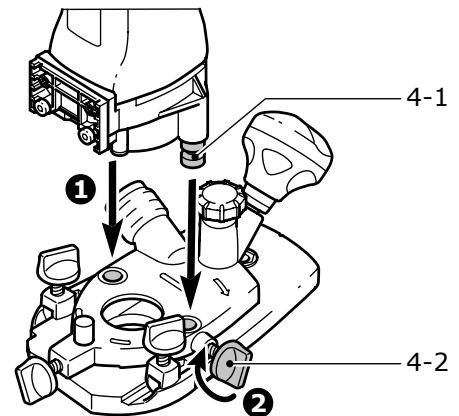
To prevent overheating, the safety electronics switches the machine off when it reaches a critical motor temperature. Let the machine

cool down for approx. 3-5 minutes before using it again. The machine requires less time to cool down if it is running, i.e. in neutral position.

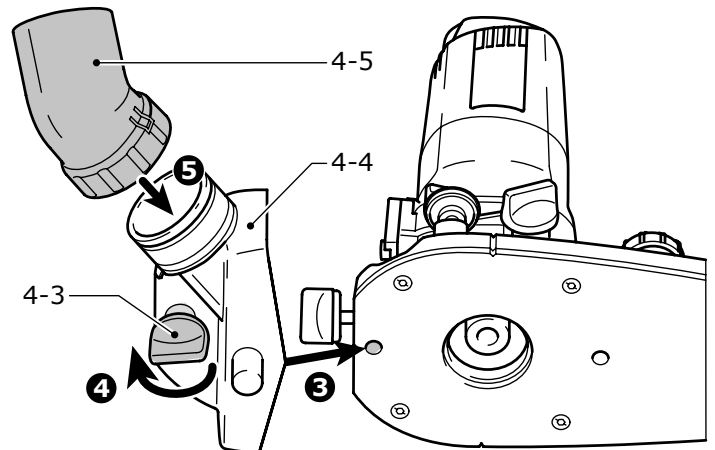
## Changing the router table

The "large surface router table" is already fitted as standard. The large contact surface and precision adjustment features of this router table enable a high degree of accuracy. Other router tables are included in the accessories programme.

### a) Large surface router table



- Slide the router table onto the retaining pin [4-1] on the machine.
- Tighten the screw [4-2] to clamp the router table in position.



- Place the extraction hood [4-4] in position.
- Tighten the screw [4-3] to clamp the extraction hood in position.
- Place the extractor connector [4-5] on the extraction hood.

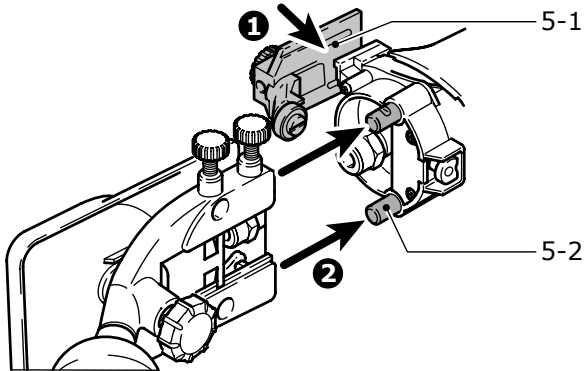
Removal is performed in reverse sequence to installation.

## b) Router table for edge veneer

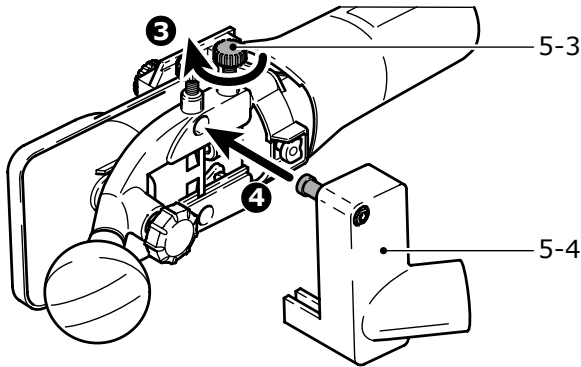
The "router table for edge veneer" (only in SET scope of delivery) is designed for flush trimming veneer overhang and profile routing.

### **i** Notes:

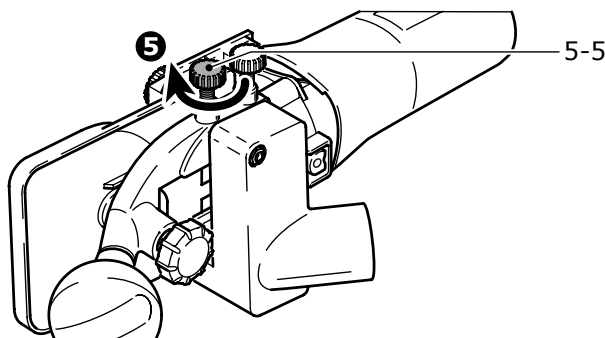
- ▶ The router table is tilted 1.5° so that the surface coating is not damaged during edge routing. A router table with 0° inclination angle for precise cuts is available as an accessory.



- Secure the sensor [5-1] to the machine using the preassembled screws. Slide the sensor in the long holes to adjust the routing tool to the perfect position.
- Slide the router table onto the retaining pin [5-2] on the machine.



- Tighten the screw [5-3] to clamp the router table in position.
- Place the extraction hood [5-4] in position.



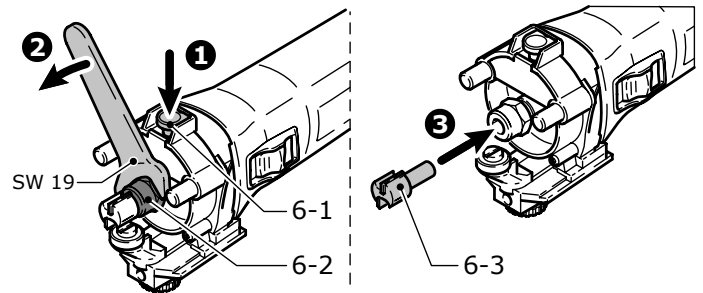
- Tighten the screw [5-5] to clamp the extraction hood in position.

Removal is performed in reverse sequence to installation.

## Changing the routing tool

**⚠ WARNING Risk of accident - the routing tool may be hot after use and has sharp edges.** Allow the tool to cool before changing. Wear protective gloves when changing tools.

- Remove the router table before changing the routing tool.



### a) Removing the tool

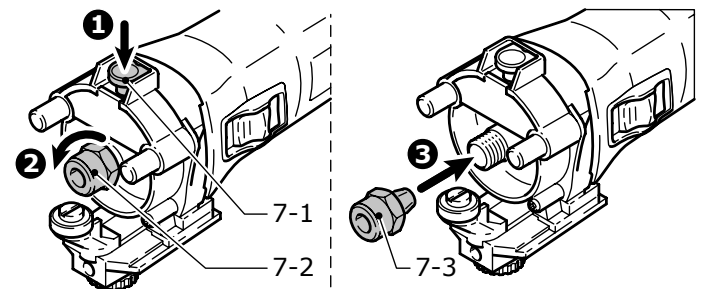
- Press the spindle lock [6-1].
- Unscrew the locking nut [6-2] using the open-end wrench (size 19) until you are able to remove the tool.

### b) Inserting the tool

- Insert the routing tool [6-3] into the open clamping collet as far as possible, but at least up to the mark (∇) on the shank.
- Press the spindle lock [6-1].
- Tighten the locking nut [6-2] using the open-end wrench (size 19).

## Changing the clamping collet

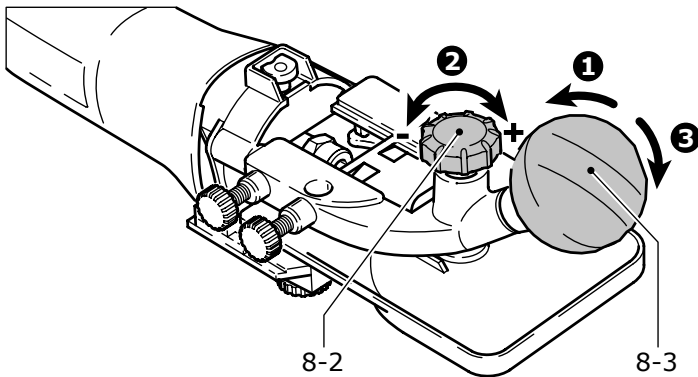
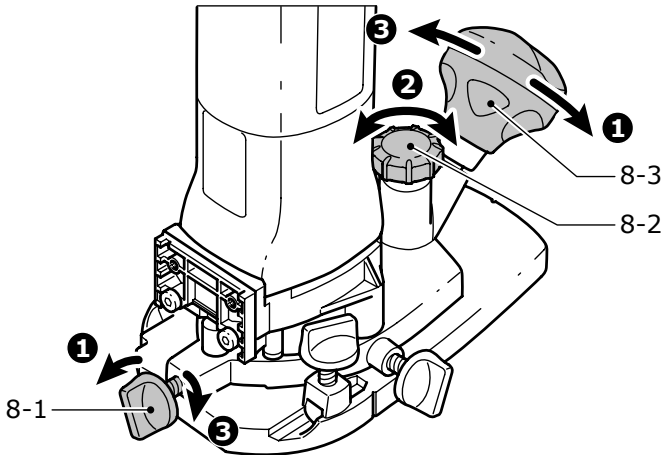
Only compatible tools can be used in combination with the clamping collets supplied. 8 mm, 6 mm and 1/4" (6.35 mm) clamping collets can be used.



- Press the spindle lock [7-1].
- Unscrew the locking nut [7-2] completely.
- Remove the locking nut from the spindle together with the clamping collet [7-3]. Do not separate the locking nut and clamping collet as these form a single component.

- Attach a different clamping collet with locking nut to the spindle.
- Screw on the locking nut loosely. Do not tighten the locking nut until a router bit is inserted.

## Adjusting the routing depth



- Unscrew the rotary knob [8-3] and the clamp [8-1] ("large surface router table" only).
- Turn the rotary wheel [8-2] to set the router table to the required routing depth.
- Tighten the rotary knob [8-3] and the clamp [8-1] ("large surface router table" only).

## Dust extraction

**!CAUTION** Breathing in dust can damage the respiratory passage! Always connect the machine to a dust extractor. When performing work that generates dust, always wear a dust mask.

Extraction hoods are supplied for both router tables; a Festool extractor (extractor hose with a diameter of 27 mm) can be connected to these extraction hoods.

The dust extractor (extractor hose with dia. 27 mm) can also be attached to the "large surface router table" or the side stop depending on the application.

## Working with the machine

**!WARNING** Always hold the machine with both hands during working.

**!WARNING** Always secure the workpiece in such a manner that it cannot move while being routed.

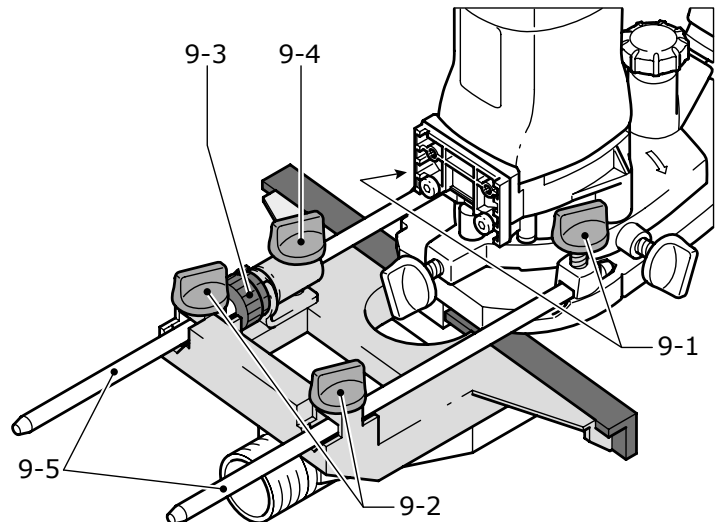
- Guide the machine along the workpiece at a steady rate of advance.

## Machine guidance methods

### a) Routing with side stop

The side stop is positioned parallel to the workpiece edge.

The side stop can only be fitted to the "large surface router table" without a fitted extraction hood.



- Insert the fine adjuster [9-3] into the side stop.
- Secure both guide rods [9-5] with the two rotary knobs [9-2] on the side stop.
- Insert the side stop into the grooves on the router table to the required distance and secure the guide rods by turning the rotary knob [9-1].

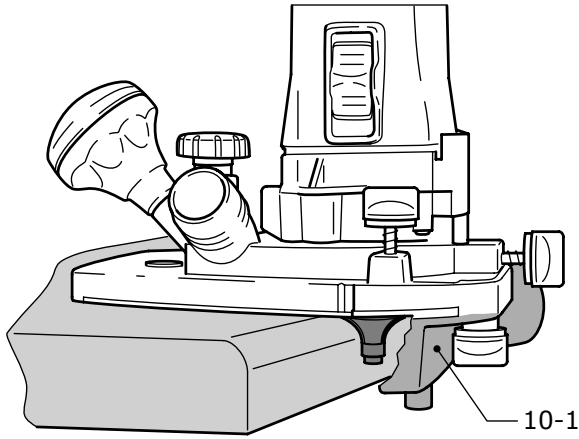
### Rough adjustment

- Loosen the screws [9-2] and [9-4] and slide the side stop.
- Tighten the screws.

### Fine adjustment

- Loosen the screws [9-2] and turn the green wheel on the fine adjuster [9-3].
- The distance between each line on the rotary wheel is 0.1 mm - one full turn of the ring represents 1 mm.
- Tighten the screws [9-2].

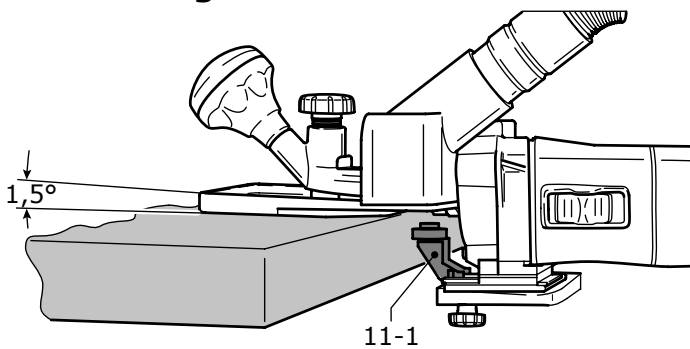
## b) Edge trimming with bearing guide



Use routing tools with a bearing guide in the machine when edge trimming with the large surface router table. The machine is then guided in such a way that the bearing guide rolls off the workpiece.

When trimming edges, always use the under-table extractor adapter [10-1] for improved dust extraction.

## c) Edge trimming with sensor and router table for edge veneer



When edge trimming with the router table for edge veneer (only in SET scope of delivery), fit the sensor [11-1] to the machine (see "Router table for edge veneer"). The machine is then guided in such a way that the sensor rests against the workpiece.

## Aluminium processing

**⚠ WARNING** Risk of accident - always perform the following safety measures when routing aluminium:

- ▶ Add a residual-current circuit-breaker (FI, PRCD).
- ▶ Connect the machine to a suitable dust extractor.
- ▶ Remove dust deposits from the motor housing on a regular basis.
- ▶ Wear protective goggles.

## Service and maintenance

**⚠ WARNING** Any maintenance or repair work that requires opening of the motor or gear housing should only be carried out by an authorised Customer Service Centre (name supplied by your dealer)! Maintenance or repair work carried out by an unauthorised person can lead to the wrong connection of the power leads or other components, which in turn can lead to accidents with serious consequences.

**⚠ WARNING** To prevent accidents, always remove the plug from the power supply socket before carrying out any maintenance or repair work on the machine! Do not use compressed air to clean the electrical tool! Do not try to clean parts inside the machine in this way, as you could let foreign objects in through the openings of the machine housing.

**⚠ CAUTION** Certain cleaning agents and solvents are harmful to plastic parts. Some of these are: gasoline, carbonyl chloride, cleaning solutions containing chlorine, ammonia and household cleaners containing ammonia.

- ▶ To assure the circulation of air, the cool air vents in the motor housing must always be kept clear and clean.
- ▶ This unit is fitted with special, automatically disconnecting carbon brushes. If these become worn, the current is automatically switched off and the unit shuts down. In this case, take the unit to an authorised Customer Service Centre and have the carbon brushes changed.

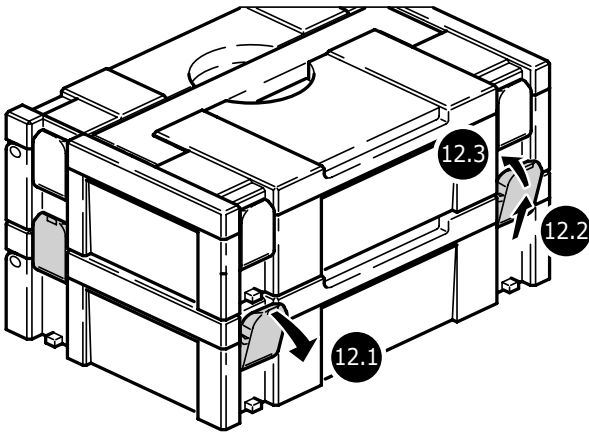
## Accessories, tools

**⚠ WARNING** For safety reasons, only use original Festool accessories and tools!

The accessory and tool order number can be found in the Festool catalogue or on the Internet under [www.festool-usa.com](http://www.festool-usa.com).

## Systainer

Many Festool products are shipped in a unique system container, called "Systainer". This provides protection and storage for the tool and accessories. The Systainers are stackable and can be interlocked together. They also can be interlocked atop Festool CT dust extractors.



- Place one systemainer on top of the other.
- Release all four latches on the lower systemainer by pulling back at their top edges (12.1).
- Slide all four latches upward (12.2).
- Snap all four latches back to their flat position (12.3) so they engage the stacking tabs of the upper systemainer.

## Warranty

### Conditions of 1+2 Warranty

You are entitled to a free extended warranty (1 year + 2 years = 3 years) for your Festool power tool. Festool shall be responsible for all shipping costs during the first year of the warranty. During the second and third year of the warranty the customer is responsible for shipping the tool to Festool. Festool will pay for return shipping to the customer using UPS Ground Service. All warranty service is valid 3 years from the date of purchase on your receipt or invoice.

### Festool Limited Warranty

This warranty is valid on the pre-condition that the tool is used and operated in compliance with the Festool operating instructions. Festool warrants, only to the original consumer purchaser, that the specified tool will be free from defects in materials and workmanship for a term of one year from the date of procurement. Festool makes no other warranty, express or implied, for Festool portable power

tools. No agent, representative, distributor, dealer or employee of Festool has the authority to increase or otherwise change the obligations or limitations of this warranty. The obligations of Festool in its sole discretion under this warranty shall be limited to the repair or replacement of any Festool portable power tool that is found to be defective as packaged with the User Manual.

Excluded from coverage under this warranty are: normal wear and tear; damages caused by misuse, abuse or neglect; damage caused by anything other than defects in material and workmanship. This warranty does not apply to accessory items such as circular saw blades, drill bits, router bits, jigsaw blades, sanding belts, and grinding wheels. Also excluded are "wearing parts", such as carbon brushes, lamellas of air tools, rubber collars and seals, sanding discs and pads, and batteries.

Festool portable power tools requiring replacement or repair are to be returned with the receipt of purchase to Festool (call 800-554-8741 for address details).

**IN NO EVENT SHALL FESTOOL BE LIABLE FOR ANY CONSEQUENTIAL OR INCIDENTAL DAMAGES FOR BREACH OF THIS OR ANY OTHER WARRANTY, EXPRESSED OR IMPLIED WHATSOEVER. ALL WARRANTIES IMPLIED BY STATE LAW, INCLUDING THE IMPLIED WARRANTIES OF MERCHANTABILITY AND FITNESS FOR A PARTICULAR PURPOSE, ARE HEREBY LIMITED TO THE DURATION OF THREE YEARS.**

Some states in the U.S. and some Canadian provinces do not allow the limitations on how long an implied warranty lasts, so the above limitation may not apply to you. With the exception of any warranties implied by state or province law as hereby limited, the foregoing express limited warranty is exclusive and in lieu of all other warranties, guarantees, agreements and similar obligations of Festool.

This warranty gives you specific legal rights and you may also have other rights which vary from state to state in the U.S. and province to province in Canada.



## Table des matières

<b>Règles de sécurité</b>	<b>14</b>
<b>Caractéristiques techniques</b>	<b>16</b>
<b>Symboles</b>	<b>16</b>
<b>Éléments fournis</b>	<b>17</b>
<b>Utilisation conforme aux prescriptions</b>	<b>17</b>
<b>Raccordement électrique</b>	<b>17</b>
Mise en marche et arrêt de la machine	17
<b>Réglages de la machine</b>	<b>18</b>
Système électronique	18
Remplacement de la table de fraisage	18
Changement de fraise	19
Changement de pince de serrage	19
Réglage de la profondeur de fraisage	20
Aspiration	20
<b>Travail avec la machine</b>	<b>20</b>
Types de guidage de la machine	20
Usinage de l'aluminium	21
<b>Maintenance et entretien</b>	<b>21</b>
<b>Accessoires, outils</b>	<b>21</b>
<b>Garantie</b>	<b>22</b>

## Règles de sécurité

**⚠️ AVERTISSEMENT** Assurez-vous de lire et de bien comprendre toutes les instructions. Le non-respect, même partiel, des instructions ci-dessous peut entraîner un risque de choc électrique, d'incendie et/ou de blessures graves.

**CONSERVEZ CES INSTRUCTIONS**

## Règles de sécurité générales

### 1) Sécurité de aire de travail

**a) Maintenez l'endroit de travail propre et bien éclairé.** Un lieu de travail en désordre ou mal éclairé augmente le risque d'accidents.

**b) N'utilisez pas l'appareil dans un environnement présentant des risques d'explosion et où se trouvent des liquides, des gaz ou poussières inflammables.** Les outils électroportatifs génèrent des étincelles

risquant d'enflammer les poussières ou les vapeurs.

**c) Tenez les enfants et autres personnes éloignés durant l'utilisation de l'outil électroportatif.** En cas d'inattention vous risquez de perdre le contrôle sur l'appareil.

### 2) Sécurité électrique

**a) La fiche de secteur de l'outil électroportatif doit être appropriée à la prise de courant. Ne modifiez en aucun cas la fiche. N'utilisez pas de fiches d'adaptateur avec des appareils avec mise à la terre.** Les fiches non modifiées et les prises de courant appropriées réduisent le risque de choc électrique.

**b) Evitez le contact physique avec des surfaces mises à la terre tels que tuyaux, radiateurs, fours et réfrigérateurs.** Il y a un risque élevé de choc électrique au cas où votre corps serait relié à la terre.

**c) N'exposez pas l'outil électroportatif à la pluie ou à l'humidité.** La pénétration d'eau dans un outil électroportatif augmente le risque d'un choc électrique.

**d) N'utilisez pas le câble à d'autres fins que celles prévues, n'utilisez pas le câble pour porter l'appareil ou pour l'accrocher ou encore pour le débrancher de la prise de courant. Maintenez le câble éloigné des sources de chaleur, des parties grasses, des bords tranchants ou des parties de l'appareil en rotation.** Un câble endommagé ou torsadé augmente le risque d'un choc électrique.

**e) Au cas où vous utiliseriez l'outil électroportatif à l'extérieur, utilisez une rallonge autorisée homologuée pour les applications extérieures.** L'utilisation d'une rallonge électrique homologuée pour les applications extérieures réduit le risque d'un choc électrique.

**f) Ne tenez l'outil qu'à l'aide des poignées isolées, lorsque vous êtes susceptibles de toucher des lignes électriques cachées ou votre propre câble électrique, lorsque vous travaillez avec des outils de tronçonnage.** Si des outils de tronçonnage touchent des lignes électriques, des pièces métalliques de l'outil peuvent être mises sous tension et asséner une décharge électrique à l'utilisateur.

### 3) Sécurité des personnes

**a) Restez vigilant, surveillez ce que vous faites. Faites preuve de bon en utilisant l'outil électroportatif. N'utilisez pas l'appareil lorsque vous êtes fatigué ou après avoir consommé de l'alcool, des drogues ou avoir pris des médicaments.** Un moment d'inattention lors de l'utilisation de l'appareil peut entraîner de graves blessures sur les personnes.

**b) Portez des équipements de protection. Portez toujours des lunettes de protection.** Le fait de porter des équipements de protection personnels tels que masque anti-poussières, chaussures de sécurité antidérapantes, casque de protection ou protection acoustique suivant le travail à effectuer, réduit le risque de blessures.

**c) Evitez une mise en service par mégarde. Assurez-vous que l'interrupteur est effectivement en position d'arrêt avant de retirer la fiche de la prise de courant.** Le fait de porter l'appareil avec le doigt sur l'interrupteur ou de brancher l'appareil sur la source de courant lorsque l'interrupteur est en position de fonctionnement, peut entraîner des accidents.

**d) Enlevez tout outil de réglage ou toute clé avant de mettre l'appareil en fonctionnement.** Une clé ou un outil se trouvant sur une partie en rotation peut causer des blessures.

**e) Ne surestimez pas vos capacités. Veillez à garder toujours une position stable et équilibrée.** Ceci vous permet de mieux contrôler l'appareil dans des situations inattendues.

**f) Portez des vêtements appropriés. Ne portez pas de vêtements amples ni de bijoux. Maintenez cheveux, vêtements et gants éloignés des parties de l'appareil en rotation.** Des vêtements amples, des bijoux ou des cheveux longs peuvent être happés par des pièces en mouvement.

**g) Si des dispositifs servant à aspirer ou à recueillir les poussières doivent être utilisés, vérifiez que ceux-ci soient effectivement raccordés et qu'ils sont correctement utilisés.** L'utilisation de tels dispositifs réduit les dangers dus aux poussières.

### 4) Utilisation et entretien des outils

**a) Ne surchargez pas l'appareil. Utilisez l'outil électroportatif approprié au travail à effectuer.** Avec l'outil électroportatif approprié, vous travaillerez mieux et avec plus de sécurité à la vitesse pour laquelle il est prévu.

**b) N'utilisez pas un outil électroportatif dont l'interrupteur est défectueux.** Un outil électroportatif qui ne peut plus être mis en ou hors fonctionnement est dangereux et doit être réparé.

**c) Retirer la fiche de la prise de courant avant d'effectuer des réglages sur l'appareil, de changer les accessoires, ou de ranger l'appareil.** Cette mesure de précaution empêche une mise en fonctionnement par mégarde.

**d) Gardez les outils électroportatifs non utilisés hors de portée des enfants. Ne permettez pas l'utilisation de l'appareil à des personnes qui ne se sont pas familiarisées avec celui-ci ou qui n'ont pas lu ces instructions.** Les outils électroportatifs sont dangereux lorsqu'ils sont utilisés par des personnes non initiées.

**e) Prenez soin des outils électroportatifs. Vérifiez que les parties en mouvement fonctionnent correctement et qu'elles ne soient pas coincées, et contrôlez si des parties sont cassées ou endommagées de telle sorte que le bon fonctionnement de l'appareil s'en trouve entravé. Faites réparer les parties endommagées avant d'utiliser l'appareil.** De nombreux accidents sont dus à des outils électroportatifs mal entretenus.

**f) Maintenez les outils de coupe aiguisés et propres.** Des outils soigneusement entretenus avec des bords tranchants bien aiguisés se coincent moins souvent et peuvent être guidés plus facilement.

**g) Utilisez les outils électroportatifs, les accessoires, les outils à monter etc. conformément à ces instructions et aux prescriptions en vigueur pour ce type d'appareil. Tenez compte également des conditions de travail et du travail à effectuer.** L'utilisation des outils électroportatifs à d'autres fins que celles prévues peut entraîner des situations dangereuses.

## 5) Entretien et réparation

**a) Ne faites réparer votre outil électroportatif que par un personnel qualifié et seulement avec des pièces de rechange d'origine.** Ceci permet d'assurer la sécurité de l'appareil.

### Règle de sécurité particulière supplémentaire

**a) Tenez l'outil par ses surfaces de prise isolées pendant toute opération où l'outil de coupe pourrait venir en contact avec un câblage dissimulé ou avec son propre cordon.** En cas de contact avec un conducteur sous tension, les pièces métalliques à découvert de l'outil transmettraient un choc électrique à l'utilisateur.

**b) Immobilisez l'outil sur une surface stable au moyen de brides ou de toute autre façon adéquate.** Le fait de tenir la pièce avec la main ou contre votre corps offre une stabilité insuffisante et peut amener un dérapage de l'outil.

### La poussière, un risque pour la santé

**⚠️ AVERTISSEMENT** Certaines poussières créées par le ponçage mécanique, le sciage, le meulage, le perçage et autres activités reliées à la construction contiennent des substances chimiques connues (dans l'État de la Californie) comme pouvant causer le cancer, des anomalies congénitales ou représenter d'autres dangers pour la reproduction. Voici quelques exemples de telles substances:

- plomb provenant de peintures à base de plomb,
- silice cristallisée utilisée dans les briques, le ciment et autres matériaux de maçonnerie, et
- arsenic et chrome du bois d'œuvre traité avec un produit chimique.

Le risque d'exposition à de tels produits varie selon la fréquence à laquelle vous faites ce genre de travail.





Pour réduire les risques d'exposition à ces substances chimiques : travaillez dans un endroit adéquatement ventilé et utilisez un équipement de sécurité approuvé, tel que masques antipoussières spécialement conçus pour filtrer les particules microscopiques.

**⚠️ AVERTISSEMENT POUR RÉDUIRE LE RISQUE DE DOMMAGES, L'UTILISATEUR DOIT LIRE ET COMPRENDRE LE MANUEL D'INSTRUCTION.**

### Caractéristiques techniques

Puissance absorbée	720 W
Vitesse de rotation (à vide)	10000 - 26000 min <sup>-1</sup>
Porte-outil	8 mm (0.31")
option :	6 mm, (0.24") 1/4"(6.35 mm))
Diamètre de fraise, max.	26 mm (1")
Poids	1,9 kg (4.2 lbs)
Sécurité	□/II

### Symboles

V	Volts
A	Ampères
Hz	Hertz
~	Courant alternatif
n <sub>0</sub>	Vitesse à vide
□	Construction de classe II
tr/mn	Nombre de tours par minute
∅	diamètre
	Avertissement de danger général
	Lire les instructions / les remarques !
▶	Information, astuce



## Éléments fournis

Des éléments fournis sont disponibles sur le volet qui se trouve au début de cette notice d'utilisation. Vous pouvez ainsi déplier cette page et visualiser en permanence les différentes parties de l'outil lorsque vous lisez la notice.

- [1-1] Fraise MFK 700 avec table de fraisage grande surface
- [1-2] Butée latérale avec tiges de guidage et réglage fin
- [1-3] Capot d'aspiration pour table de fraisage grande surface avec tubulure d'aspiration
- [1-4] Table de fraisage pour couvre-chants avec galet palpeur et capot d'aspiration (uniquement dans volume de livraison SET)

## Utilisation conforme aux prescriptions

La fraise MFK 700 EQ est prévue de façon conforme aux prescriptions pour le fraisage de bois, de matières plastiques et de matériaux similaires.

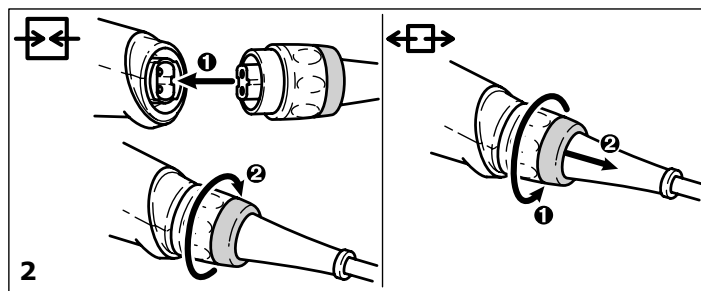
**⚠ AVERTISSEMENT** L'utilisateur est le seul responsable des dommages et accidents provoqués par une utilisation non conforme de l'outil.

## Raccordement électrique

La tension du secteur doit correspondre à l'indication de la tension sur la plaquette signalétique. Un fusible de 16 A (à 120 V) ou un disjoncteur de puissance approprié est nécessaire.

Voir en figure [2] la connexion et la déconnexion du câble de raccordement au secteur.

**⚠ AVERTISSEMENT** Mettez la machine hors marche, avant de connexion ou de déconnexion le câble de raccordement secteur.



## Câble de rallonge

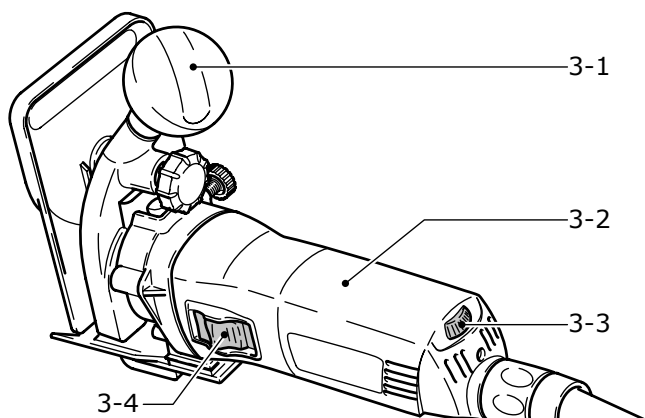
Si une rallonge électrique est nécessaire, elle doit présenter une section suffisante afin d'éviter une chute de tension excessive ou une surchauffe. Une chute de tension excessive réduit la puissance et peut entraîner la destruction du moteur. Le tableau suivant vous présente la section correcte du câble en fonction de sa longueur pour la MFK 700. Utilisez exclusivement des rallonges recommandées par U.L. et CSA. N'utilisez jamais deux rallonges branchées l'une après l'autre, mais remplacez-les par une rallonge plus longue.

Longueur totale rallonge (pieds)	25	50	100	150
Section du câble (AWG)	18	16	16	14

**i** **Remarque:**

- ▶ Plus le numéro AWG est petit, plus la section du câble est grande.

## Mise en marche et arrêt de la machine



**⚠ AVERTISSEMENT** Lors de la mise en marche et en cours d'utilisation, tenez toujours la scie à deux mains à les poignées [3-1] [3-2].

Le commutateur [3-4] sert d'interrupteur de marche / arrêt (I = "ON", 0 = "OFF").

## Réglages de la machine

**⚠ AVERTISSEMENT** Retirer la fiche de la prise de courant avant d'effectuer des réglages sur l'appareil, de changer les accessoires, ou de ranger l'appareil.

### Système électronique

Cette machine dispose d'une électronique complète qui présente les caractéristiques suivantes :

#### Démarrage progressif

Le démarrage progressif à régulation électronique assure un démarrage sans à-coups de la machine.

#### Régulation de la vitesse

La vitesse de rotation peut être réglée en continu au moyen de la molette [3-3], entre 10000 et 26000 min<sup>-1</sup>. Vous pouvez ainsi adapter de façon optimale la vitesse de coupe à chaque matériau.

#### Vitesse de rotation constante

La vitesse sélectionnée est maintenue constante de manière électronique. Elle reste donc homogène, même lorsque l'outil est fortement sollicité.

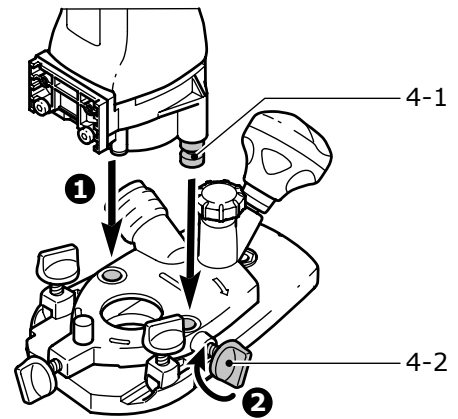
#### Protection thermique

Pour assurer une protection contre la surchauffe, le système électronique de sécurité arrête la machine dès qu'une température critique du moteur est atteinte. Après une période de refroidissement d'env. 3 à 5 minutes, la machine est à nouveau prête à l'emploi. Le temps de refroidissement diminue quand la machine fonctionne (marche à vide).

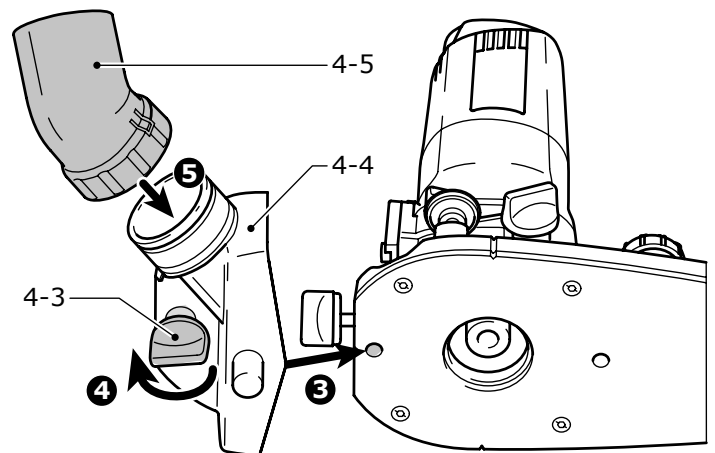
### Remplacement de la table de fraisage

La "table de fraisage grande surface" est prémontée et comprise dans le volume de livraison de série. Cette table de fraisage garantit une grande précision de fraisage grâce à sa grande surface d'appui et à ses possibilités de réglage précises. D'autres tables de fraisage sont disponibles dans la gamme d'accessoires.

#### a) Table de fraisage grande surface



- Montez la table de fraisage sur les axes de réception [4-1] de la machine.
- Bloquez la table de fraisage en serrant la vis [4-2].



- Montez le capot d'aspiration [4-4].
- Bloquez le capot d'aspiration en vissant la vis [4-3].
- Montez la tubulure d'aspiration [4-5] sur le capot d'aspiration.

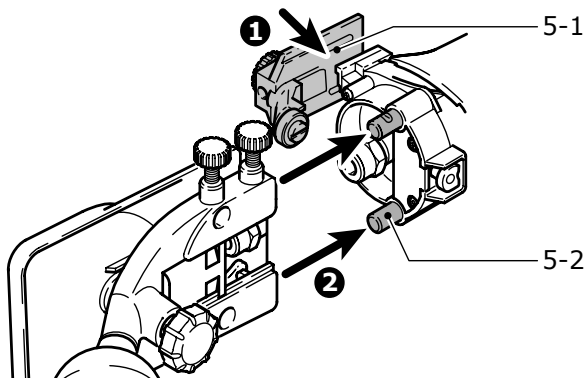
Le démontage s'effectue dans l'ordre inverse.

#### b) Table de fraisage pour couvre-chants

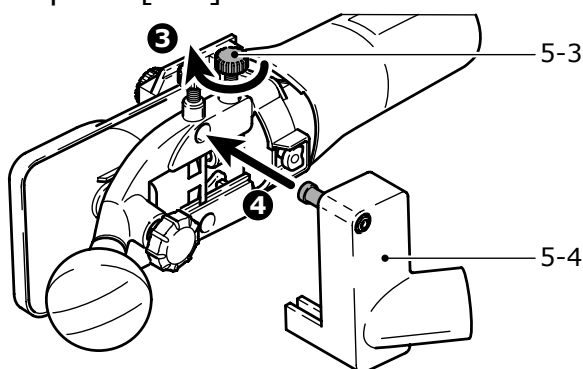
La "table de fraisage pour couvre-chants" (uniquement dans le volume de livraison SET) est prévue pour le fraisage d'affleurement de dépassements de couvre-chants ainsi que pour le profilage.

#### **i** Remarque:

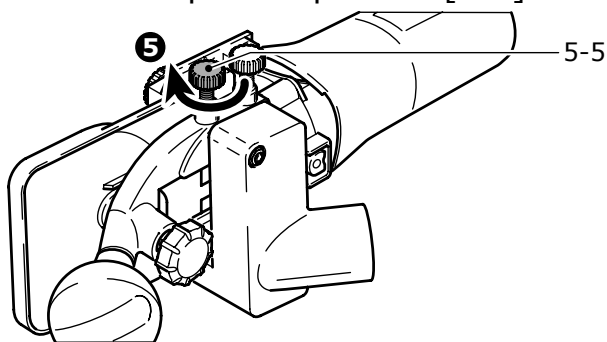
- Afin de ne pas endommager le revêtement de la table lors de l'affleurement, la table de fraisage est inclinée de 1,5°. Pour des fraisages à angle droit précis, une table de fraisage non inclinée (0°) est disponible en tant qu'accessoire.



- Fixez le galet palpeur [5-1] sur la machine à l'aide des vis prémontées. Le galet palpeur peut être réglé de façon optimale par rapport à la fraise en le décalant dans les trous oblongs.
- Montez la table de fraisage sur les axes de réception [5-2] de la machine.



- Bloquez la table de fraisage en serrant la vis [5-3].
- Montez le capot d'aspiration [5-4].



- Bloquez le capot d'aspiration en vissant la vis [5-5].

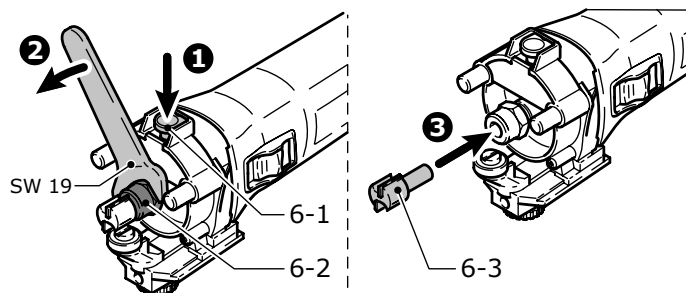
Le démontage s'effectue dans l'ordre inverse.

## Changement de fraise

**⚠ AVERTISSEMENT** Risque d'accident - la fraise peut être chaude après le travail et possède des tranchants très coupants.

Laissez refroidir l'outil avant le changement d'outil. Portez des gants de protection pour changer l'outil.

- Retirez la table de fraisage avant le changement de la fraise.



### a) Retrait de l'outil

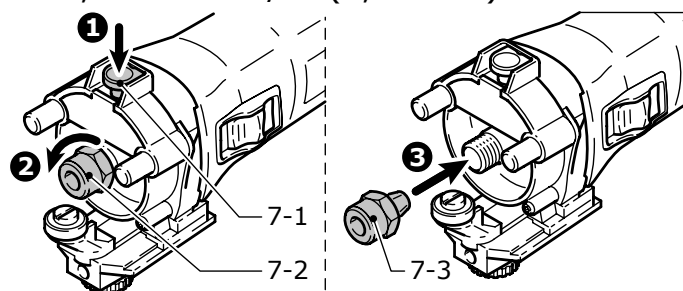
- Pressez le dispositif de blocage de la broche [6-1].
- A l'aide d'une clé à fourche de 19 mm, desserrez l'écrou-raccord [6-2] jusqu'à ce qu'il soit possible de retirer l'outil.

### b) Insertion de l'outil

- Introduisez la fraise [6-3] aussi loin que possible dans la pince de serrage ouverte, au moins jusqu'au repère (∇) sur la tige de la fraise.
- Pressez le dispositif de blocage de la broche [6-1].
- Serrez l'écrou-raccord [6-2] à l'aide de la clé à fourche de 19.

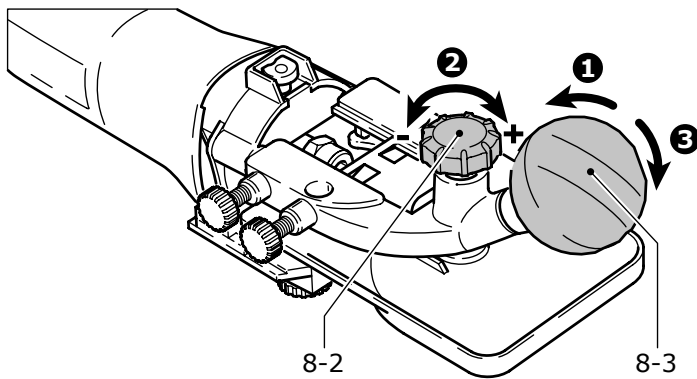
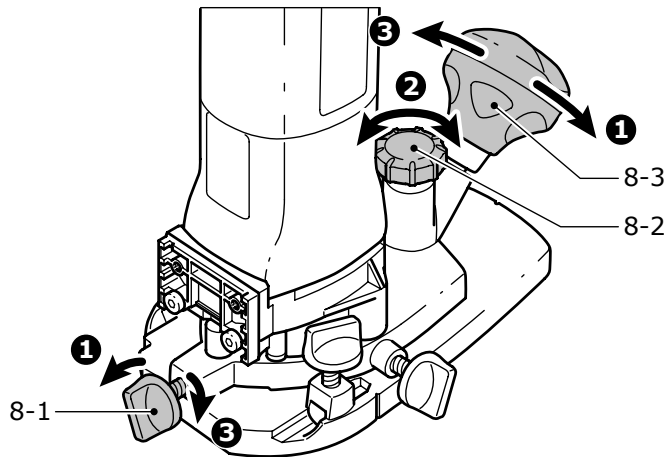
## Changement de pince de serrage

Seuls des outils adaptés doivent être insérés dans les pinces de serrage fournies. Il est possible d'utiliser des pinces de serrage de 8 mm, 6 mm et 1/4" (6,35 mm).



- Pressez le dispositif de blocage de la broche [7-1].
- Dévissez entièrement l'écrou-raccord [7-2].
- Retirez l'écrou-raccord de la broche, conjointement avec la pince de serrage [7-3]. Ne séparez jamais l'écrou-raccord de sa pince, étant donné que les deux forment un ensemble inséparable.
- Insérez une autre pince de serrage avec écrou-raccord dans la broche.
- Vissez légèrement l'écrou-raccord. Ne serrez pas l'écrou-raccord en l'absence de fraise.

## Réglage de la profondeur de fraisage



- Desserrez le bouton tournant [8-3] et le dispositif de blocage [8-1] (uniquement "table de fraisage grande surface").
- Réglez la table de fraisage sur la profondeur de réglage souhaitée par le biais de la molette [8-2].
- Serrez le bouton tournant [8-3] et le dispositif de blocage [8-1] (uniquement "table de fraisage grande surface").

## Aspiration

**⚠ AVERTISSEMENT** L'inhalation de poussières peut être nocive pour les voies respiratoires ! Raccordez toujours la machine à un dispositif d'aspiration. Portez une protection des voies respiratoires si les travaux génèrent des poussières.

Des capots d'aspiration permettant le raccordement d'un aspirateur Festool (tuyau d'aspiration Ø 27 mm) sont fournis pour les deux tables de fraisage.

En fonction de l'application, le dispositif d'aspiration (tuyau d'aspiration Ø 27 mm) peut également être fixé sur la "table de fraisage grande surface" ou sur la butée latérale.

## Travail avec la machine

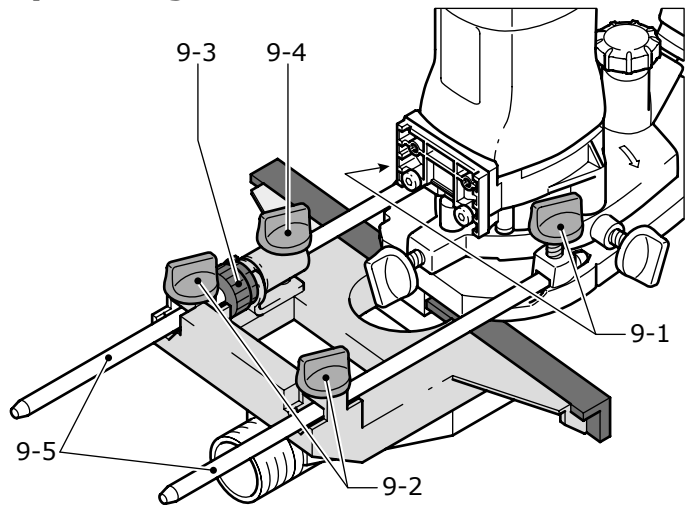
**⚠ AVERTISSEMENT** Maintenez fermement la machine avec les deux mains.

**⚠ AVERTISSEMENT** Fixez toujours la pièce à fraiser de manière à ce qu'elle ne puisse pas bouger pendant le travail.

- Guidez la machine le long de la pièce avec une avance régulière.

## Types de guidage de la machine

### a) Fraisage avec butée latérale



La butée latérale est utilisée pour des travaux de fraisage parallèlement au bord de la pièce. La butée latérale peut uniquement être montée sur la "table de fraisage grande surface" et sans capot d'aspiration monté.

- Montez le dispositif de réglage fin [9-3] sur la butée latérale.
- Serrez les deux tiges de guidage [9-5] sur la butée latérale [9-2] par le biais des boutons tournants.
- Insérez la butée latérale dans les rainures de la table de fraisage jusqu'à la cote souhaitée et bloquez les tiges de guidage à l'aide du bouton tournant [9-1].

### Réglage approximatif

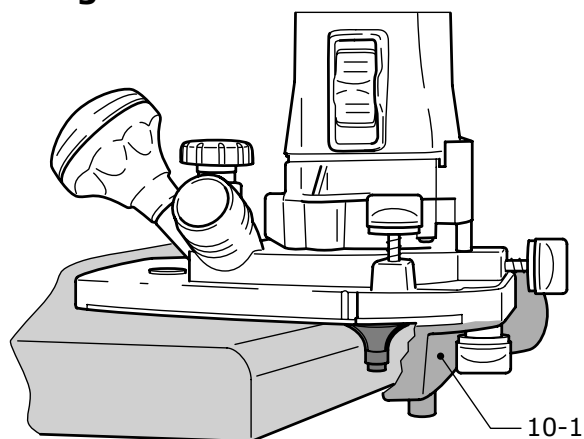
- Desserrez les vis [9-2] et [9-4] et déplacez la butée latérale.
- Serrez les vis.

### Réglage fin

- Desserrez les vis [9-2] et tournez la molette verte du dispositif de réglage fin [9-3].
- Un trait de graduation sur la molette est de 0,1 mm - un tour correspond à 1 mm.
- Serrez les vis [9-2].



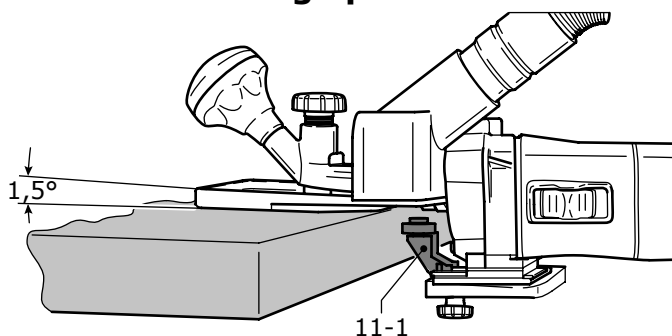
## b) Fraisage de chants avec roulement de guidage



Des fraises avec roulement de guidage sont montées sur la machine pour le fraisage de chants. Dans ce cas, la machine est guidée de sorte à faire rouler le roulement à billes sur la pièce.

Lors du fraisage de chants, utilisez toujours le dispositif d'aspiration sous la table [10-1] pour améliorer l'aspiration.

## c) Fraisage de chants avec galet palpeur et table de fraisage pour couvre-chants



Le galet palpeur [11-1] est monté sur la machine pour le fraisage de chants avec la table de fraisage pour couvre-chants (uniquement dans le volume de livraison SET) (voir "Table de fraisage pour couvre-chants"). A cette occasion, la machine est guidée de façon à ce que le galet palpeur repose contre la pièce.

## Usinage de l'aluminium

**⚠AVERTISSEMENT** Risque d'accident - respectez les consignes de sécurité suivantes lorsque vous usinez l'aluminium :

- ▶ Installez en amont de l'appareil un disjoncteur à courant de défaut (FI, PRCD).
- ▶ Raccordez la machine à un dispositif d'aspiration approprié.
- ▶ Nettoyez régulièrement les dépôts de poussières dans le corps du moteur.
- ▶ Portez des lunettes de protection.

## Maintenance et entretien

**⚠AVERTISSEMENT** Toutes les interventions de maintenance et de réparation qui exigent l'ouverture du carter du moteur ou de l'engrenage doivent uniquement être réalisées par un atelier de service après-vente agréé (demandez ses coordonnées à votre revendeur)! La maintenance ou la réparation de la machine par des personnes non autorisées peut entraîner un branchement incorrect de câbles électriques ou d'autres composants, ce qui peut provoquer des accidents avec de graves blessures.

**⚠AVERTISSEMENT** Afin d'empêcher les accidents, il faut toujours débrancher la fiche de la source de courant avant toute intervention de maintenance ou de réparation! N'utilisez pas d'air comprimé pour nettoyer l'outil électrique ! N'essayez pas de nettoyer des pièces à l'intérieur de la machine en introduisant des objets par les ouvertures de l'appareil.

**⚠MISE EN GARDE** Certains détergents et solvants détériorent les pièces en matière plastique. Citons notamment l'essence, le chlorure de carbonyle, les solutions de détergents contenant du chlore, l'ammoniac et les détergents ménagers contenant de l'ammoniac.

- ▶ Pour assurer la circulation de l'air, il est impératif que les fentes d'aération du boîtier moteur soient systématiquement maintenues dégagées et propres.
- ▶ L'appareil est équipé de charbons spéciaux à coupure automatique. Lorsque ceux-ci sont usés, l'alimentation est coupée et l'appareil s'arrête.

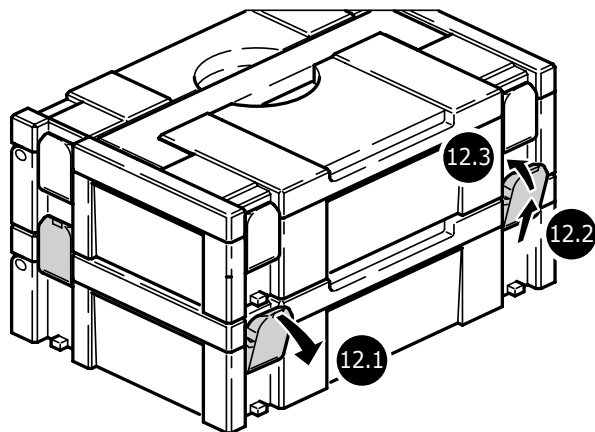
## Accessoires, outils

**⚠AVERTISSEMENT** Pour des raisons de sécurité, il faut utiliser exclusivement des accessoires et outils d'origine Festool!

Les références des accessoires et outils figurent dans le catalogue Festool ou sur Internet sous [www.festool-usa.com](http://www.festool-usa.com).

## Systainer

De nombreux produits Festool sont fournis dans une caisse exclusive, appelée "Systainer". Celle-ci permet de protéger et de ranger des outils et des appareils complémentaires. Les Systainer sont empilables et peuvent être solidarisés. En outre, il se fixent sur les aspirateurs CT Festool.



- Poser deux Systainer l'un sur l'autre,
- défaire les quatre éléments de verrouillage du Systainer inférieur en les tirant en arrière par leur bord supérieur (14.1).
- pousser les quatre éléments de verrouillage vers le haut (14.2)
- manoeuvrer les quatre éléments de verrouillage (14.3) de sorte qu'ils s'enclenchent au niveau des éléments récepteurs du Systainer supérieur.

## Garantie

### Conditions de la garantie (1+2 ans)

Vous avez droit à une prolongation de garantie gratuite (1 an + 2 ans = 3 ans) sur votre outil électrique Festool. Festool assumera tous les coûts d'expédition pendant la première année de la garantie alors que les deuxième et troisième années, les coûts devront être assumés par le client. Festool paiera les frais de retour de l'outil au client par service de livraison terrestre UPS. La garantie est valable pour une période de 3 ans à compter de la date d'achat indiquée sur votre reçu ou votre facture.

### Garantie limitée de Festool

Cette garantie est valable à condition que l'outil soit utilisé conformément aux instruc-

tions de Festool. Festool garantit, à l'acheteur initial seulement, que l'outil indiqué sera exempt de tout défaut de matériau et de fabrication pendant un an à compter de la date d'achat. Festool ne donne aucune garantie supplémentaire, implicite ou explicite, sur les instruments portables électriques Festool. Aucun agent, représentant commercial, distributeur, vendeur ou employé de Festool n'est autorisé à prolonger ou à modifier les obligations ou restrictions de la présente garantie. Les obligations de Festool sont, à son entière discrétion, limitées à la réparation ou à l'échange des outils portables électriques Festool trouvés défectueux dans le présent emballage, tels que fournis avec le présent Guide d'utilisation.

Cette garantie exclut l'usure normale, les dommages causés par un usage impropre, les abus ou la négligence, ou tout dommage autre que ceux attribuables à des défauts de matériau et de fabrication. Cette garantie ne s'applique pas aux accessoires tels que lames de scie circulaire, mèches de perceuse et vilebrequin, lames de scie sauteuse, bandes abrasives et meules. Sont également exclues les pièces d'usure, telles que balais de charbon, lamelles pour outils à air comprimé, joints et manchons de caoutchouc, disques et patins ponceurs, ainsi que les piles.

Les outils électriques portables Festool à remplacer ou à réparer doivent être retournés avec le reçu d'achat à Festool (appelez au 800-554-8741 pour connaître l'adresse d'expédition).

**FESTOOL N'EST EN AUCUN CAS RESPONSABLE DES DOMMAGES DIRECTS OU INDIRECTS, IMPLICITES OU EXPLICITES, DÉCOULANT DE LA RUPTURE DE CETTE GARANTIE OU DE TOUTE AUTRE GARANTIE. TOUTES LES GARANTIES IMPLICITES, Y COMPRIS LES GARANTIES IMPLICITES DE QUALITÉ MARCHANDE ET D'ADÉQUATION À UN USAGE PARTICULIER, SONT LIMITÉES À UNE PÉRIODE DE TROIS ANS.**

Certains états américains et certaines provinces canadiennes ne permettent pas la limitation des garanties implicites; il se pourrait donc que les limites indiquées ci-dessus ne s'appliquent pas dans votre cas. À l'exception de certaines garanties implicites des provinces ou des états indiquées ici, la présente

garantie est exclusive et remplace toute autre garantie, convention et obligation similaire de Festool.

Cette garantie vous confère des droits légaux spécifiques, et vous pouvez aussi avoir d'autres droits pouvant varier d'un état à l'autre, ou d'une province à l'autre au Canada.

## Contenido

<b>Normas de seguridad</b>	<b>24</b>
<b>Datos técnicos</b>	<b>26</b>
<b>Símbolos</b>	<b>26</b>
<b>Dotación de suministro</b>	<b>26</b>
<b>Uso conforme a lo previsto</b>	<b>27</b>
<b>Conexión eléctrica</b>	<b>27</b>
Conexión y desconexión de la máquina	27
<b>Ajustes de la máquina</b>	<b>27</b>
Sistema electrónico	27
Cambio de la mesa de fresar	28
Cambiar la fresadora	29
Cambio de la pinza de sujeción	29
Ajuste de la profundidad de fresado	29
Aspiración	30
<b>Trabajo con la máquina</b>	<b>30</b>
Tipos de guiado de la máquina	30
Trabajar con aluminio	31
<b>Mantenimiento y limpieza</b>	<b>31</b>
<b>Accesorios, herramientas</b>	<b>31</b>
<b>Garantía</b>	<b>32</b>

## Normas de seguridad

**⚠️ ADVERTENCIA** Lea y entienda todas las instrucciones. El incumplimiento con las instrucciones aquí referidas puede resultar en una descarga eléctrica, fuego y/o lesiones personales serias.

**CONSERVE ESTAS INSTRUCCIONES**

## Normas generales de seguridad

### 1) Seguridad del espacio de trabajo

**a) Mantenga limpio y bien iluminado su puesto de trabajo.** El desorden y una iluminación deficiente en las áreas de trabajo pueden provocar accidentes.

**b) No utilice la herramienta eléctrica en un entorno con peligro de explosión, en el que se encuentren combustibles líquidos, gases o material en polvo.** Las herramientas eléctricas producen chispas que

pueden llegar a inflamar los materiales en polvo o vapores.

**c) Mantenga alejados a los niños y otras personas de su puesto de trabajo al emplear la herramienta eléctrica.** Una distracción le puede hacer perder el control sobre el aparato.

### 2) Seguridad eléctrica

**a) El enchufe del aparato debe corresponder a la toma de corriente utilizada. No es admisible modificar el enchufe en forma alguna. No emplear adaptadores en aparatos dotados con una toma de tierra.** Los enchufes sin modificar adecuados a las respectivas tomas de corriente reducen el riesgo de una descarga eléctrica.

**b) Evite que su cuerpo toque partes conectadas a tierra como tuberías, radiadores, cocinas y refrigeradores.** El riesgo a quedar expuesto a una sacudida eléctrica es mayor si su cuerpo tiene contacto con tierra.

**c) No exponga las herramientas eléctricas a la lluvia y evite que penetren líquidos en su interior.** Existe el peligro de recibir una descarga eléctrica si penetran ciertos líquidos en la herramienta eléctrica.

**d) No utilice el cable de red para transportar o colgar el aparato, ni tire de él para sacar el enchufe de la toma de corriente. Mantenga el cable de red alejado del calor, aceite, esquinas cortantes o piezas móviles.** Los cables de red dañados o enredados pueden provocar una descarga eléctrica.

**e) Al trabajar con la herramienta eléctrica en la intemperie utilice solamente cables de prolongación homologados para su uso en exteriores.** La utilización de un cable de prolongación adecuado para su uso en exteriores reduce el riesgo de una descarga eléctrica.

**f) Sujete la máquina únicamente por las empuñaduras aisladas si durante los trabajos las herramientas para separar pueden entrar en contacto con conducciones eléctricas ocultas o incluso con el cable de la corriente.** Cuando las herramientas para separar entran en contacto con conducciones eléctricas bajo tensión, las partes metálicas de la máquina pueden adquirir



esta tensión y transmitir, de ese modo, una descarga eléctrica al usuario.

### 3) Seguridad personal

**a) Esté atento a lo que hace y emplee la herramienta eléctrica con prudencia. No utilice la herramienta eléctrica si estuviese cansado, ni tampoco después de haber consumido alcohol, drogas o medicamentos.** El no estar atento durante el uso de una herramienta eléctrica puede provocarle serias lesiones.

**b) Utilice un equipo de protección y en todo caso unas gafas de protección.** El riesgo a lesionarse se reduce considerablemente si, dependiendo del tipo y la aplicación de la herramienta eléctrica empleada, se utiliza un equipo de protección adecuado como una mascarilla antipolvo, zapatos de seguridad con suela antideslizante, casco, o protectores auditivos.

**c) Evite una puesta en marcha fortuita del aparato. Cerciorarse de que el aparato esté desconectado antes conectarlo a la toma de corriente.** Si transporta el aparato sujetándolo por el interruptor de conexión/desconexión, o si introduce el enchufe en la toma de corriente con el aparato conectado, ello puede dar lugar a un accidente.

**d) Retire las herramientas de ajuste o llaves fijas antes de conectar la herramienta eléctrica.** Una herramienta o llave colocada en una pieza rotante puede producir lesiones al ponerse a funcionar.

**e) Sea precavido. Trabaje sobre una base firme y mantenga el equilibrio en todo momento.** Ello le permitirá controlar mejor la herramienta eléctrica en caso de presentarse una situación inesperada.

**f) Lleve puesta una vestimenta de trabajo adecuada. No utilice vestimenta amplia ni joyas. Mantenga su pelo, vestimenta y guantes alejados de las piezas móviles.** La vestimenta suelta, las joyas y el pelo largo se pueden enganchar con las piezas en movimiento.

**g) Siempre que sea posible utilizar unos equipos de aspiración o captación de polvo, asegúrese que éstos estén montados y que sean utilizados correctamente.** El empleo de estos equipos reduce los riesgos derivados del polvo.

### 4) Uso y cuidado de la herramienta

**a) No sobrecargue el aparato. Use la herramienta prevista para el trabajo a realizar.** Con la herramienta adecuada podrá trabajar mejor y más seguro dentro del margen de potencia indicado.

**b) No utilice herramientas con un interruptor defectuoso.** Las herramientas que no se puedan conectar o desconectar son peligrosas y deben hacerse reparar.

**c) Saque el enchufe de la red antes de realizar un ajuste en el aparato, cambiar de accesorio o al guardar el aparato.** Esta medida preventiva reduce el riesgo a conectar accidentalmente el aparato.

**d) Guarde las herramientas fuera del alcance de los niños y de las personas que no estén familiarizadas con su uso.** Las herramientas utilizadas por personas inexpertas son peligrosas.

**e) Cuide sus aparatos con esmero. Controle si funcionan correctamente, sin atascarse, las partes móviles del aparato, y si existen partes rotas o deterioradas que pudieran afectar al funcionamiento de la herramienta. Si la herramienta eléctrica estuviese defectuosa haga repararla antes de volver a utilizarla.** Muchos de los accidentes se deben a aparatos con un mantenimiento deficiente.

**f) Mantenga los útiles limpios y afilados.** Los útiles mantenidos correctamente se dejan guiar y controlar mejor.

**g) Utilice herramientas eléctricas, accesorios, útiles, etc. de acuerdo a estas instrucciones y en la manera indicada específicamente para este aparato. Considere en ello las condiciones de trabajo y la tarea a realizar.** El uso de herramientas eléctricas para trabajos diferentes de aquellos para los que han sido concebidas puede resultar peligroso.

### 5) Mantenimiento

**a) Únicamente haga reparar su herramienta eléctrica por un profesional, empleando exclusivamente piezas de repuesto originales.** Solamente así se mantiene la seguridad de la herramienta eléctrica.

## Normas de seguridad específicas

**a) Sujete la herramienta por la superficie de agarre aislada cuando realice una operación donde la herramienta de corte pueda contactar alambres ocultos o su propio cable.** El contacto con un alambre con corriente hará traspasar la corriente a las partes de metal de la herramienta resultando en una descarga eléctrica al usuario.

**b) Use abrazaderas u otras formas prácticas de sujetar y asegurar la pieza de trabajo en una plataforma estable.** El sujetar la pieza de trabajo con la mano o contra el cuerpo es inestable y puede causar la pérdida de control.

### Riesgos para la salud producidos por el polvo

**⚠ ADVERTENCIA** Algunos polvos creados por lijadoras motorizadas, aserraderos, trituradores, perforadoras y otras actividades de construcción contienen sustancias químicas que se sabe (en el Estado de California) causan cáncer, defectos de nacimiento u otros daños al sistema reproductivo. Algunos ejemplos de estas sustancias químicas son:

- Plomo de las pinturas con base de plomo
- Sílice cristalino de los ladrillos y cemento y otros productos de mampostería, y
- Arsénico y cromo de madera tratada con sustancias químicas

El riesgo de exposición a estas sustancias varía, dependiendo de cuantas veces se hace este tipo de trabajo.



Para reducir el contacto con estas sustancias químicas: trabaje en un área con buena ventilación y trabaje con equipo de seguridad aprobado, como mascarillas para el polvo diseñadas específicamente para filtrar partículas microscópicas.

**⚠ ADVERTENCIA PARA REDUCIR EL RIESGO DE LESIÓN, EL USUARIO DEBE LEER Y ENTENDER EL MANUAL DE INSTRUCCIÓN.**

## Datos técnicos

Consumo de potencia	720 W
Número de revoluciones (marcha en vacío)	10000 - 26000 rpm
Alojamiento de la herramienta	8 mm (0.31")
opcional:	6 mm (0.24")
	1/4" (6,35 mm))
Diámetro de fresa, máx.	26 mm (1")
Peso	1,9 kg
Seguridad	□/II

## Símbolos

V	Voltios
A	Amperios
Hz	Hercios
~	Corriente alterna
$n_0$	Sin velocidad de carga
□	Construcción Clase II
rpm	Revoluciones o reciprocidad por minuto
∅	Diámetro
	Aviso ante un peligro general
	¡Leer las instrucciones e indicaciones!
▶	Indicación, consejo

## Dotación de suministro

Las imágenes con la dotación de suministro se encuentran en una hoja desplegable al comienzo de este manual de instrucciones. Cuando lea este manual, le recomendamos que despliegue esta página para disponer fácilmente de una vista general de la máquina.

- [1-1] MFK 700 con mesa de fresar con gran superficie de apoyo
- [1-2] Tope lateral con barras de guía y ajuste fino
- [1-3] Caperuza de aspiración para la mesa de fresar con gran superficie de apoyo con racor de aspiración
- [1-4] Mesa de fresar para cantos preencolados con rodillo tensor y caperuza de aspiración (sólo en la dotación de suministro SET)

## Uso conforme a lo previsto

La MFK 700 EQ está prevista para el fresado de madera, plástico y materiales similares.

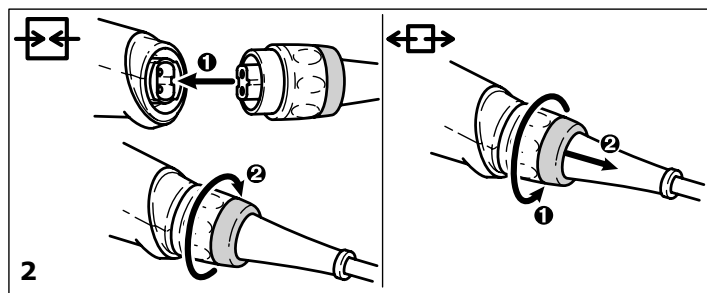
**⚠ADVERTENCIA** El usuario será responsable de los posibles daños y accidentes ocasionados por el mal uso o el abuso de la herramienta.

## Conexión eléctrica

La tensión de la red tiene que coincidir con lo indicado en la placa de características. Se requiere un fusible de 16 A (con 120 V), o un correspondiente disyuntor de protección.

Vea la figura [2] para enchufar y desenchufar el cable de conexión.

**⚠ADVERTENCIA** Apague siempre la máquina antes de conectar o sacar el cable de conexión a la red.



## Cable de prolongación

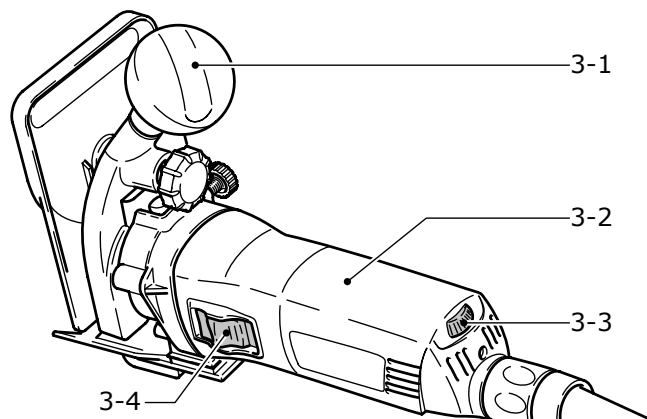
Cuando se necesite un cable de prolongación, éste tiene que disponer de una sección suficiente a fin de evitar una excesiva caída de tensión o un sobrecalentamiento. Una excesiva caída de la tensión reduce la potencia y puede conducir a una destrucción del motor. En la tabla de abajo indica el diámetro de cable correcto para la MFK 700, a saber, en función de la longitud de cable. Emplear únicamente los cables de prolongación listados por U.L. y CSA. No emplear nunca dos cables de prolongación conectados el uno con el otro. En lugar de ello, emplear uno correspondientemente largo.

Longitud total del cable (pies)	25	50	100	150
Diámetro de cable (AWG)	18	16	16	14

**i Observación:**

► Cuanto más bajo es el número AWG, tanto mayor es el diámetro del cable.

## Conexión y desconexión de la máquina



**⚠ADVERTENCIA** La máquina tiene que ser sujeta siempre con ambas manos por las empuñaduras [3-1] [3-2] durante la conexión y el uso.

El interruptor [3-4] sirve de interruptor de conexión y desconexión (I = CONECTADO, 0 = DESCONECTADO).

## Ajustes de la máquina

**⚠ADVERTENCIA** Saque el enchufe de la red antes de realizar un ajuste en el aparato, cambiar de accesorio o al guardar el aparato.

## Sistema electrónico

La máquina dispone de un sistema electrónico de onda completa con las siguientes propiedades:

### Arranque suave

El arranque suave mediante control electrónico garantiza una puesta en marcha de la máquina sin sacudidas.

### Regulación del número de revoluciones

El número de revoluciones puede regularse de modo continuo con la rueda de ajuste [3-3] entre 10000 y 26000 rpm. De este modo, la velocidad de corte puede adaptarse de manera óptima a cada material.

### Número constante de revoluciones

El número preseleccionado de revoluciones del motor se mantiene constante gracias

a un sistema electrónico. De este modo se consigue también bajo carga una velocidad de corte estable.

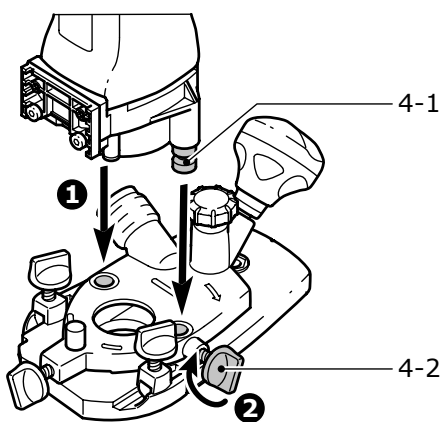
### Dispositivo protector contra sobre-temperaturas

Cuando el motor alcanza una temperatura crítica, el sistema electrónico de seguridad desconecta la máquina para prevenir un sobrecalentamiento. Después de un tiempo de enfriamiento de aprox. 3-5 minutos, la máquina está preparada para volver a funcionar. Si la máquina está en marcha (marcha en vacío) el tiempo de enfriamiento se reduce.

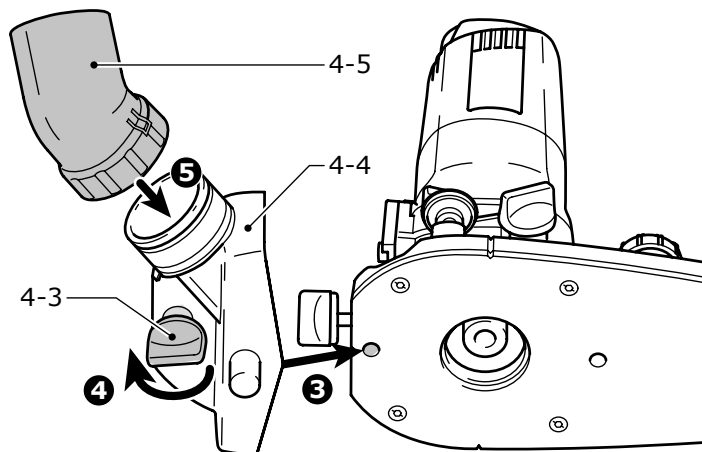
## Cambio de la mesa de fresar

La dotación de suministro de serie incluye la "mesa de fresar con gran superficie de apoyo" premontada. Esta mesa de fresar asegura una elevada exactitud de fresado gracias a la gran superficie de apoyo y a sus posibilidades de ajuste de precisión. En el programa de accesorios encontrará más mesas de fresar.

### a) Mesa de fresar con gran superficie de apoyo



- Desplace la mesa de fresar sobre los pernos de alojamiento [4-1] de la máquina.
- Bloquee la mesa de fresar apretando los tornillos [4-2].



- Coloque la caperuza de aspiración [4-4].
- Bloquee la caperuza de aspiración apretando los tornillos [4-3].
- Coloque el racor de aspiración [4-5] sobre la caperuza de aspiración.

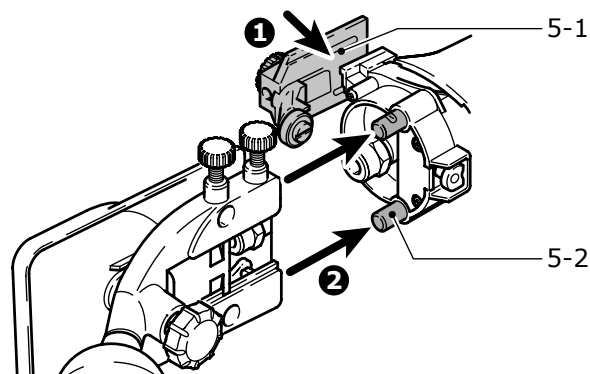
El desmontaje se realiza en el orden inverso.

### b) Mesa de fresar para cantos preencolados

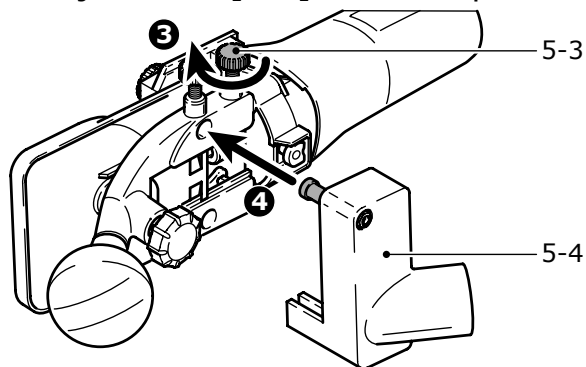
La "mesa de fresar para cantos preencolados" (sólo en la dotación de suministro SET) está prevista para el fresado enrasado de restos de colas, así como para el fresado de perfiles.

### ⓘ Observación:

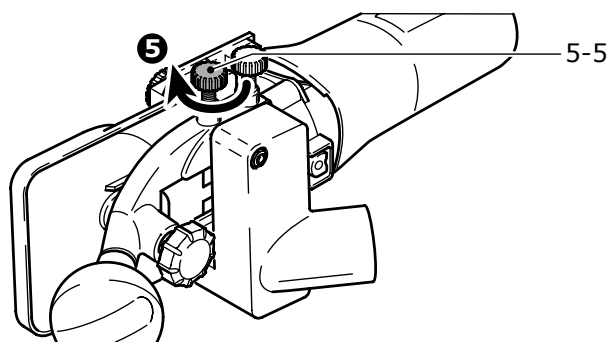
La mesa de fresar está inclinada unos 1,5° para que no se deteriore el recubrimiento de la plancha al utilizar la fresadora de cantos. Para realizar fresados con un ángulo recto exacto, también está disponible una mesa de fresar con una inclinación de 0° como accesorio.



- Fije el dispositivo palpador [5-1] a la máquina con los tornillos premontados. Desplazando el dispositivo palpador en los agujeros alargados, éste puede ajustarse de forma óptima en la fresadora.
- Desplace la mesa de fresar sobre los pernos de alojamiento [5-2] en la máquina.



- Bloquee la mesa de fresar apretando los tornillos [5-3].
- Coloque la caperuza de aspiración [5-4].



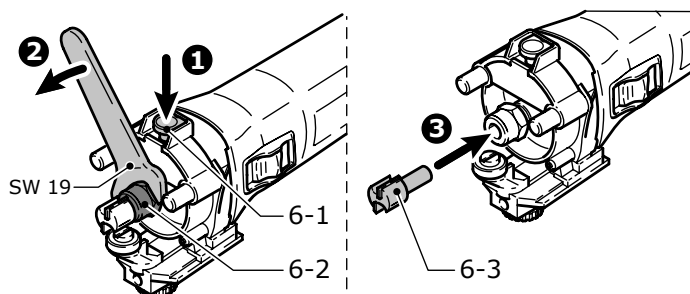
- Bloquee la caperuza de aspiración apretando los tornillos [5-5].

El desmontaje se realiza en el orden inverso.

## Cambiar la fresadora

**⚠ADVERTENCIA Peligro de accidente: la fresadora puede estar muy caliente después de su uso y cuenta con aristas de corte muy afiladas.** Deje que la herramienta se enfríe antes de proceder al cambio. Lleve puestos guantes de protección para el cambio de herramienta.

- Retire la mesa de fresar antes de cambiar la fresadora.



### a) Extracción de la herramienta

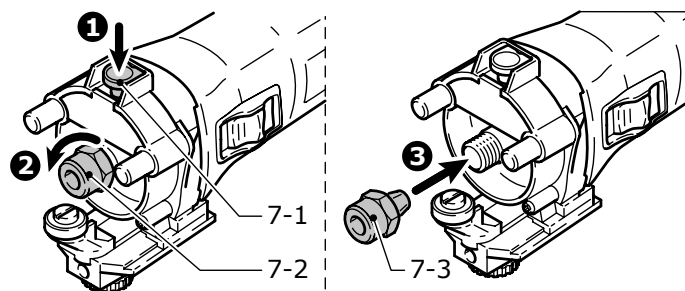
- Presione el bloqueo del husillo [6-1].
- Afloje con la llave bifurcada (SW 19) la tuerca de racor [6-2] hasta que pueda extraer la herramienta.

### b) Inserción de la herramienta

- Inserte la fresadora [6-3] hasta el tope, al menos hasta la marca (∇) en el vástago de la fresa, en la pinza de sujeción abierta.
- Presione el bloqueo del husillo [6-1].
- Apriete la tuerca de racor [6-2] con la llave bifurcada (SW 19).

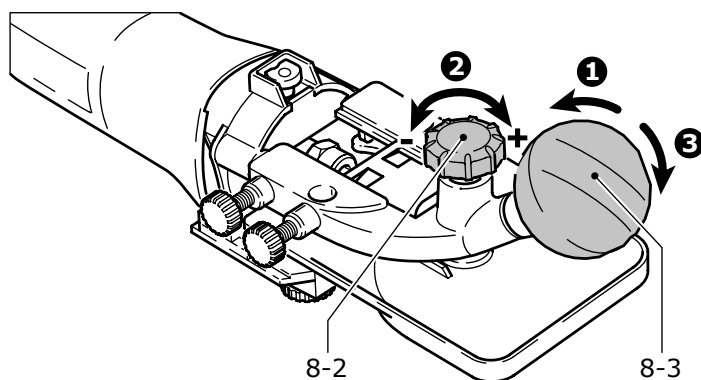
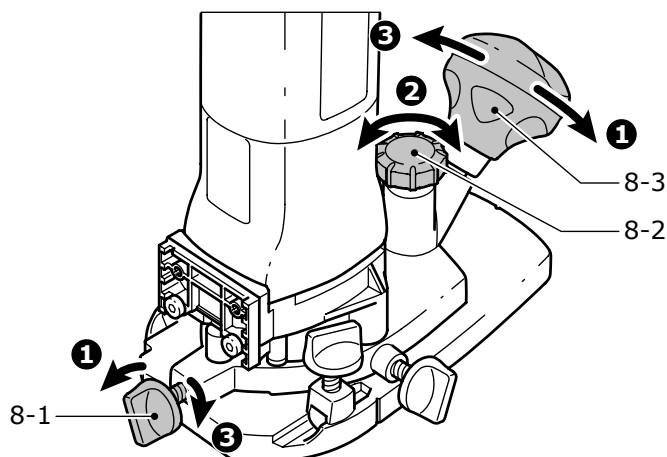
## Cambio de la pinza de sujeción

Con las pinzas de sujeción suministradas sólo deben emplearse las herramientas adecuadas. Pueden emplearse pinzas de sujeción con 8 mm, 6 mm y 1/4" (6,35 mm).



- Presione el bloqueo del husillo [7-1].
- Cierre completamente la tuerca de racor [7-2].
- Extraiga la tuerca de racor junto con la pinza de sujeción [7-3] del husillo. No separe la tuerca de racor y la pinza de sujeción, ya que forman una unidad.
- Coloque otra pinza de sujeción con tuerca de racor en el husillo.
- Abra ligeramente la tuerca de racor. No apriete la tuerca de racor hasta que no haya una fresa insertada.

## Ajuste de la profundidad de fresado



- Afloje el botón giratorio [8-3] y el pinzamiento [8-1] (sólo "mesa de fresar con gran superficie de apoyo").
- Ajuste la mesa de fresar en la rueda giratoria [8-2] a la profundidad de fresado deseada.

- Apriete el botón giratorio [8-3] y el pinzamiento [8-1] (sólo "mesa de fresar con gran superficie de apoyo").

## Aspiración

**⚠ PRECAUCIÓN** El polvo aspirado puede dañar las vías respiratorias. Conecte siempre la máquina a un dispositivo de aspiración. Lleve puesta una protección respiratoria para los trabajos que generen polvo.

Para ambas mesas de fresar se suministran caperuzas de aspiración que pueden conectarse a un aspirador Festool (tubo flexible de aspiración de Ø 27 mm).

Según el tipo de aplicación puede también colocarse el dispositivo de aspiración (tubo flexible de aspiración con Ø 27 mm) en la "mesa de fresar con gran superficie de apoyo" o bien en el tope lateral.

## Trabajo con la máquina

**⚠ ADVERTENCIA** Sujete la herramienta siempre con ambas manos.

**⚠ ADVERTENCIA** Fije la pieza de trabajo siempre de forma que no se pueda mover cuando se trabaje con ella.

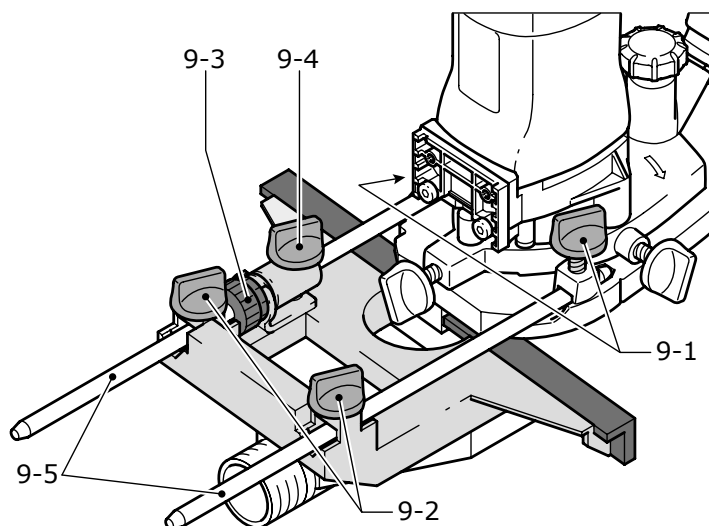
- ▶ Haga avanzar la máquina a lo largo de la pieza de trabajo con un movimiento uniforme.

## Tipos de guiado de la máquina

### a) Fresado con el tope lateral

Para trabajos de fresado se emplea el tope lateral en paralelo al canto de la pieza de trabajo.

Sólo puede montarse el tope lateral en la "mesa de fresar con gran superficie de apoyo" y sin que haya una caperuza de aspiración montada.



- Coloque el ajuste fino [9-3] en el tope lateral.
- Fije las dos barras guía [9-5] con los botones giratorios [9-2] en el tope lateral.
- Introduzca el tope lateral en las ranuras de la mesa de fresar hasta la medida deseada y fije las barras guía con el botón giratorio [9-1].

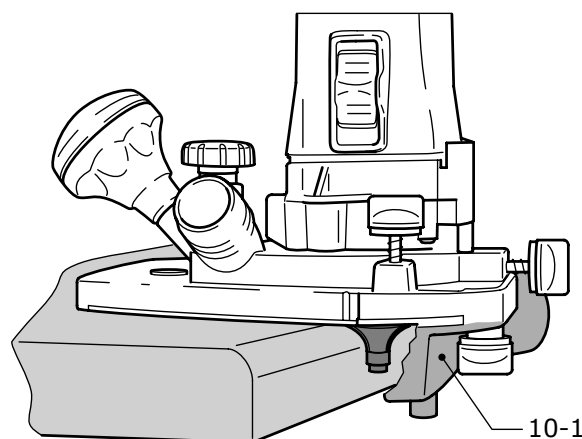
### Ajuste basto

- Afloje los tornillos [9-2] y [9-4] y desplace el tope lateral.
- Apriete los tornillos.

### Ajuste fino

- Afloje los tornillos [9-2] y manipule la rueda giratoria del ajuste fino [9-3].
- ▶ Una marca de la rueda giratoria equivale a 0,1 mm, una vuelta completa equivale a 1 mm.
- Apriete los tornillos [9-2].

### b) Tratamiento de cantos con cojinete de arrastre



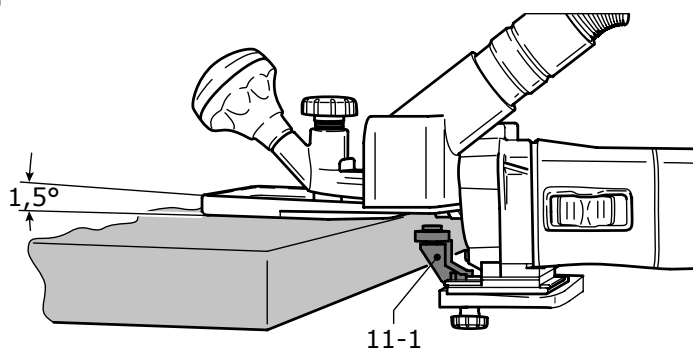
Para el tratamiento de cantos con la "mesa de fresar con gran superficie de apoyo" se colocan fresadoras con cojinete de arrastre en la máquina. De esta manera, la máquina



se guiará de modo que el cojinete de arrastre gire en la pieza de trabajo.

Durante el tratamiento de cantos utilice siempre la aspiración debajo de la mesa [10-1] para mejorar la aspiración.

### c) Tratamiento de cantos con dispositivo palpador y mesa de fresar para cantos preencolados



Para el tratamiento de cantos con la mesa de fresar para cantos preencolados (sólo en la dotación de suministro SET) se monta el dispositivo palpador [11-1] en la máquina (véase "Mesa de fresar para cantos preencolados"). De esta manera, la máquina se guiará de modo que el dispositivo palpador entre en contacto con la pieza de trabajo.

## Trabajar con aluminio

**⚠ADVERTENCIA** Peligro de accidente: adopte las siguientes medidas de seguridad al trabajar con aluminio:

- ▶ Agregar un interruptor de corriente por defecto- (FI-, PRCD-).
- ▶ Conecte la máquina en una herramienta de aspiración apropiada.
- ▶ Limpie regularmente las acumulaciones de polvo en la carcasa del motor.
- ▶ Lleve puestas gafas de protección.

## Mantenimiento y limpieza

**⚠ADVERTENCIA** Todos los trabajos de mantenimiento y de reparación que requieran una abertura de la carcasa del motor o del mecanismo de transmisión, solamente deben ser llevados a cabo por un taller de servicio de asistencia técnica autorizado (su concesionario le facilitará la información adecuada)! Un mantenimiento o reparación de la máquina por personas no autorizadas puede ser la

causa de una conexión errónea de los cables conductores de corriente eléctrica o de otros componentes, lo cual puede ser la causa de accidentes con lesiones graves.

**⚠ADVERTENCIA** ¡A fin de evitar accidentes, antes de proceder a todo tipo de trabajos de mantenimiento o de reparación en la máquina se tiene que desenchufar el enchufe de la fuente de alimentación de corriente! ¡No emplear aire comprimido para limpiar la herramienta eléctrica! No intente nunca limpiar piezas en el interior de la máquina introduciendo algún objeto a través de las aberturas de la carcasa de la máquina.

**⚠PRECAUCION** Algunos detergentes y disolventes pueden dañar los componentes de material sintético. Entre éstos se encuentran: Bencina, carbonilcloruro, soluciones detergentes de contenido de cloro, amoniaco, así como detergentes de uso doméstico amónicos.

- ▶ A fin de garantizar la circulación del aire, las aberturas para el aire de refrigeración en la carcasa del motor tienen que ser mantenidas continuamente libres y limpias.
- ▶ El aparato está equipado con escobillas especiales de autodesconexión. Al desgastarse, se efectúa una interrupción automática de la corriente y la máquina se para. En este caso, el aparato deberá ser llevado a un taller de servicio de asistencia técnica autorizado, donde se cambiarán las escobillas.

## Accesorios, herramientas

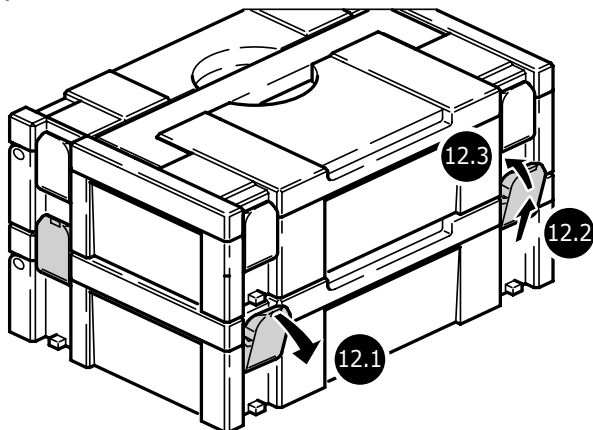
**⚠ADVERTENCIA** ¡Por razones de seguridad, solamente deben emplearse accesorios y herramientas originales de Festool!

Los números de pedido para los respectivos accesorios y herramientas se encuentran en su catálogo Festool o en la dirección de Internet [www.festool-usa.com](http://www.festool-usa.com).

## Systemainer

Muchos de los productos Festool se entregan en un embalaje exclusivo denominado "Systemainer" que sirve de protección a la herramienta y sus complementos, además de facilitar su almacenamiento. Los Systemainer pueden

apilarse y encajan unos con otros. Además se adaptan sin problema a cualquier aparato de aspiración CT de Festool.



- Coloque un Systainer sobre otro.
- Abra los cuatro enganches del Systainer de abajo tirando de sus extremos superiores (14.1).
- Deslice los cuatro enganches hacia arriba (14.2).
- Presione los cuatro enganches hasta que queden planos (14.3) y puedan así acoplarse en los soportes del Systainer colocado encima.

## Garantía

### Condiciones de la Garantía 1 + 2

Usted tiene derecho a una garantía extendida gratuita (1 año + 2 años = 3 años) para su herramienta mecánica Festool. Festool se hará responsable por los gastos de envío durante el primer año de garantía. Durante el segundo y tercer año de garantía el cliente es responsable por el costo del envío de la herramienta a Festool. Festool pagará el embarque de regreso al cliente usando UPS Ground Service. Todo el servicio de garantía es válido por 3 años desde la fecha de la compra de acuerdo a la fecha de su recibo o factura de compra.

### Garantía limitada de Festool

Esta garantía es válida con la condición previa de que la herramienta se usa y opera de conformidad con las instrucciones de operación de Festool. Festool garantiza, sólo al comprador original, que la herramienta especificada estará libre de defectos de fabricación y materiales durante un periodo de

un año a partir de la fecha de compra. Festool no otorga otras garantías, ni explícitas ni implícitas para ninguna de las herramientas mecánicas portátiles Festool. Ningún agente, representante, distribuidor, comerciante o empleado de Festool está autorizado para extender o modificar de cualquier manera las obligaciones o limitaciones de esta garantía. Las obligaciones de Festool, a su propia entera discreción, están limitadas a la reparación o sustitución de cualquier herramienta portátil Festool que se encuentre estar defectuosa en el momento de ser embalada junto con el manual de usuario.

Quedan excluidos de la cobertura en esta garantía: el desgaste normal; los daños causados por uso indebido, el abuso o negligencia; los daños causados por cualquier otra causa que no sean defectos del material o de la fabricación. Esta garantía no aplica a accesorios como cuchillas de sierras circulares, brocas de taladro, barrenas de buriladora, cuchillas de sierra, cuchillas para sierras de calado, correas de lijadoras y ruedas de esmeril. También se excluyen las "partes que se desgastan" como cepillos de carbón, laminillas de herramientas de aire, collarines de hule y sellos, discos y cojines de lijado, y baterías.

Las herramientas mecánicas portátiles Festool que requieran de reemplazo o reparación deben devolverse con el recibo de compra a Festool (llame al 800-554-8741 para los detalles de la dirección).

**EN NINGÚN CASO FESTOOL SE HARÁ RESPONSABLE POR LOS DAÑOS SECUNDARIOS O CONSECUENTES OCASIONADOS POR LA VIOLACIÓN DE ESTA O CUALQUIER OTRA GARANTÍA, SEA EXPLÍCITA O IMPLÍCITA. TODAS LAS GARANTÍAS IMPLICADAS POR LEYES ESTATALES, INCLUYENDO LAS GARANTÍAS IMPLICADAS DE COMERCIALIZACIÓN Y ADECUACIÓN A UN PROPÓSITO PARTICULAR, QUEDAN LIMITADAS A TRES AÑOS DE DURACIÓN.**

Algunos estados de EE.UU. y algunas provincias de Canadá no permiten las limitaciones en cuanto a la duración de las garantías implícitas, de modo que la limitación arriba indicada puede que no le afecte. A excepción de algunas garantías implicadas por leyes estatales o provinciales, limitadas por la presente, la anteriormente citada garantía, expresamente



limitada, es exclusiva y sustituye a cualquier otra garantía, acuerdo u obligación similar de Festool.

Esta garantía le concede derechos legales específicos y usted podría tener otros derechos legales que varían de estado a estado en EE.UU. y de provincia a provincia en Canadá.





NOTES/ NOTACIONES/ NOTAS

---





NOTES/ NOTACIONES/ NOTAS

---



NOTES/ NOTACIONES/ NOTAS

---

## Free Manuals Download Website

<http://myh66.com>

<http://usermanuals.us>

<http://www.somanuals.com>

<http://www.4manuals.cc>

<http://www.manual-lib.com>

<http://www.404manual.com>

<http://www.luxmanual.com>

<http://aubethermostatmanual.com>

Golf course search by state

<http://golfingnear.com>

Email search by domain

<http://emailbydomain.com>

Auto manuals search

<http://auto.somanuals.com>

TV manuals search

<http://tv.somanuals.com>