

OF 1010 EQ



Instruction manual

Page 2 - 10

IMPORTANT: *Read and understand all instructions before using.*

Guide d'utilisation

Page 11 - 19

IMPORTANT: *Lire et comprendre toutes les instructions avant de démarrer les travaux.*

Manual de instrucciones

Página 20 - 28

IMPORTANTE: *Lea y comprende todas las instrucciones antes de usar.*

Table of contents

Safety rules	2
Technical data	3
Symbols	3
Functional description	4
Use for intended purpose	4
Electrical connection	4
Switching the machine on and off	4
Electronics	4
Tool settings	5
Chips extraction	5
KSF-OF chip catcher	5
Milling cutters	5
Clamping collet changing	6
Adjusting the milling depth	6
Working with the router	6
Support of the workpieces	6
Aluminium processing	7
Freehand routing	7
Routing with the parallel guide	7
Routing with the TV-OF extension table	7
Routing with the FS guide system	7
Routing with the SZ-OF 1000 beam compasses	7
Copy cutting	8
Edge band trimming	8
Accessories, tools	8
Servicing and maintenance	9
Warranty	9

Safety rules

⚠️WARNING Read and understand all instructions. Failure to follow all instructions listed below may result in electric shock, fire and/or serious personal injury.

SAVE THESE INSTRUCTIONS

General safety rules

1) Work area safety

a) Keep work area clean and well lit. Cluttered and dark areas invite accidents.

b) Do not operate power tools in explosive atmospheres, such as in the presence of flammable liquids, gases or dust. Power tools create sparks which may ignite the dust or fumes.

c) Keep children and bystanders away while operating a power tool. Distractions can cause you to lose control.

2) Electrical safety

a) Power tool plugs must match the outlet. Never modify the plug in any way. Do not use any adapter plugs with earthed (grounded) power tools. Unmodified plugs and matching outlets will reduce risk of electric shock.

b) Avoid body contact with earthed or grounded surfaces such as pipes, radiators, ranges and refrigerators. There is an increased risk of electric shock if your body is earthed or grounded.

c) Do not expose power tools to rain or wet conditions. Water entering a power tool will increase the risk of electric shock.

d) Do not abuse the cord. Never use the cord for carrying, pulling or unplugging the power tool. Keep cord away from heat, oil, sharp edges or moving parts. Damaged or entangled cords increase the risk of electric shock.

e) When operating a power tool outdoors, use an extension cord suitable for outdoor use. Use of a cord suitable for outdoor use reduces the risk of electric shock.

f) Hold power tool by insulated gripping surfaces only, when performing an operation where the cutting accessory may contact hidden wiring or its own cord. Contact with a „live“ wire will make exposed metal parts of the power tool „live“ and shock the operator.

3) Personal safety

a) Stay alert, watch what you are doing and use common sense when operating a power tool. Do not use a power tool while you are tired or under the influence of drugs, alcohol or medication. A moment of inattention while operating power tools may result in serious personal injury.

b) Use safety equipment. Always wear eye protection. Safety equipment such as dust mask, non-skid safety shoes, hard hat, or hearing protection used for appropriate conditions will reduce personal injuries.

c) Avoid accidental starting. Ensure the switch is in the off position before plugging in. Carrying power tools with your finger on the switch or plugging in power tools that have the switch on invites accidents.

d) Remove any adjusting key or wrench before turning the power tool on. A wrench or a key left attached to a rotating part of the power tool may result in personal injury.

e) Do not overreach. Keep proper footing and balance at all times. This enables better control of the power tool in unexpected situations.

f) **Dress properly. Do not wear loose clothing or jewellery. Keep your hair, clothing and gloves away from moving parts.** Loose clothes, jewellery or long hair can be caught in moving parts.

g) **If devices are provided for the connection of dust extraction and collection facilities, ensure these are connected and properly used.** Use of these devices can reduce dust related hazards.

4) Tool use and care

a) **Do not force the power tool. Use the correct power tool for your application.** The correct power tool will do the job better and safer at the rate for which it was designed.

b) **Do not use the power tool if the switch does not turn it on and off.** Any power tool that cannot be controlled with the switch is dangerous and must be repaired.

c) **Disconnect the plug from the power source before making any adjustments, changing accessories, or storing power tools.** Such preventive safety measures reduce the risk of starting the power tool accidentally.

d) **Store idle power tools out of the reach of children and do not allow persons unfamiliar with the power tool or these instructions to operate the power tool.** Power tools are dangerous in the hands of untrained users.

e) **Maintain power tools. Check for misalignment or binding of moving parts, breakage of parts and any other condition that may affect the power tools operation. If damaged, have the power tool repaired before use.** Many accidents are caused by poorly maintained power tools.

f) **Keep cutting tools sharp and clean.** Properly maintained cutting tools with sharp cutting edges are less likely to bind and are easier to control.

g) **Use the power tool, accessories and tool bits etc., in accordance with these instructions and in the manner intended for the particular type of power tool, taking into account the working conditions and the work to be performed.** Use of the power tool for operations different from those intended could result in a hazardous situation.

5) Service

a) **Have your power tool serviced by a qualified repair person using only identical replacement parts.** This will ensure that the safety of the power tool is maintained.

Specific Safety Rules

a) **Hold power tools by insulated gripping surfaces when performing an operation where the cutting tool may contact hidden wiring or its own cord.** Contact with a "live" wire will make exposed metal parts of the tool "live" and shock the operator.

b) **Use clamps or another suitable means to support and secure the workpiece to a stable platform.** Holding the workpiece by hand or against your body is unstable and may lead to loss of control.

⚠ WARNING TO REDUCE THE RISK OF INJURY, USER MUST READ AND UNDERSTAND INSTRUCTION MANUAL.

⚠ WARNING Various dust created by power sanding, sawing, grinding, drilling and other construction activities contains chemicals known (to the State of California) to cause cancer, birth defects or other reproductive harm. Some examples of these chemicals are:

- Lead from lead-based paints,
- Crystalline silica from bricks and cement and other masonry products,
- Arsenic and chromium from chemically-treated lumber.

The risk from these exposures varies, depending on how often you do this type of work.



To reduce your exposure to these chemicals work in a well ventilated area and use approved safety equipment, such as dust masks that are specially designed to filter out microscopic particles.

Technical data

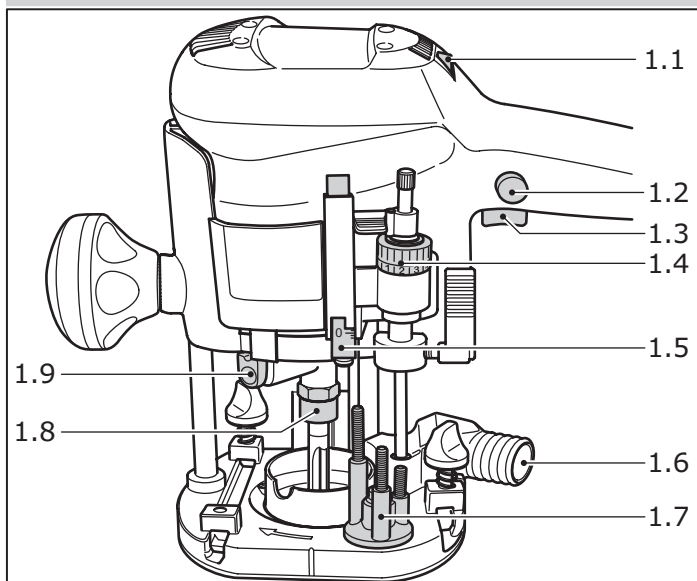
Power input	1010 W (8.4 A)
Speed of drive shaft	10 000 - 23 000 rpm
Quick height adjustment	55 mm (2.17")
Fine height adjustment	8 mm (0.31")
Drive shaft connection of the spindle	M 16x1.5
Weight	2.7 kg (6.0 lbs)
Protection class	□ / II

Symbols

V	volts
A	amperes
Hz	hertz
W	watt
~	alternating current
η_0	no load speed

- Class II Construction
- rpm revolutions or reciprocation per minute

Functional description



- 1.1 Speed controller
- 1.2 Locking button
- 1.3 On/Off switch
- 1.4 Depth adjustment
- 1.5 Scale
- 1.6 Extractor connection piece
- 1.7 Pivoted turret stop
- 1.8 Collet nut
- 1.9 Spindle stop

Use for intended purpose

The routers are designed for routing wood, plastics and similar materials. Aluminium and plasterboard can also be processed with corresponding cutters such as are listed in the Festool catalogues.

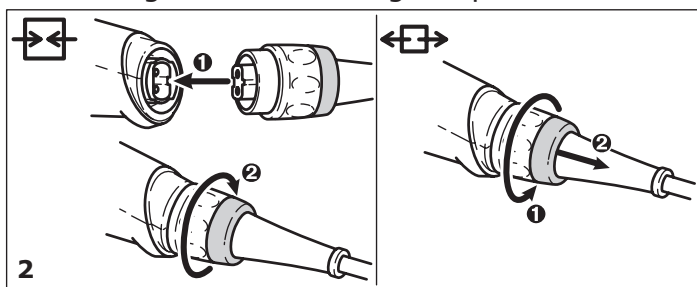
WARNING The user is liable for damages and injuries due to incorrect usage.

Electrical connection

The network voltage must conform to the voltage indicated on the rating plate. A 16 A safety fuse (for 120 V) or a corresponding protective circuit-breaker is required.

See the following figure for connection and disconnection of the power cable.

WARNING Always switch the machine off before connecting or disconnecting the power cable!



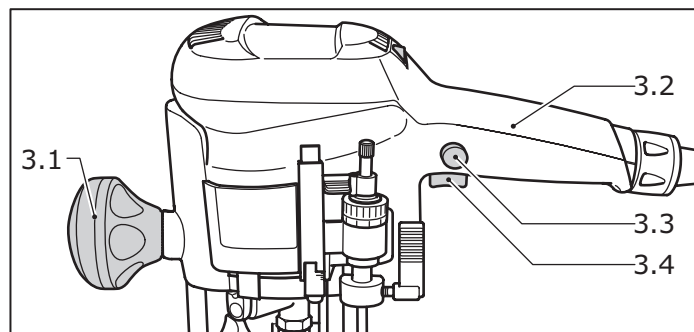
Extension cable

If an extension cable is required, it must have a sufficient cross-section so as to prevent an excessive drop in voltage or overheating. An excessive drop in voltage reduces the output and can lead to failure of the motor. The table below shows you the correct cable diameter as a function of the cable length for the router OF 1010 EQ. Use only U.L. and CSA listed extension cables. Never use two extension cables together. Instead, use one long one.

Total Extension Cord Length (feed)	25	50	100	150
Cord size (AWG)	18	16	14	12

Note: The lower the AWG number, the stronger the cable.

Switching the machine on and off



WARNING Keep the machine steady during switching and during use by holding the handle (3.2) and the additional handle (3.1) with both hands.

The switch (3.4) is used to switch the tool on and off. For continuous operation the switch can be locked by means of the button on the side (3.3). The switch can be unlocked by pressing again.

WARNING After the machine has been switched off, the milling cutter will still rotate for a time. Take care that parts of your body do not come into contact with the milling cutter while it is still rotating!

Electronics

WARNING Do not work with the OF 1010 EQ if the electronic control is defective since this may lead to excessive speeds. A defect in the electronic control is indicated by the absence of a smooth run-up, a higher noise level at idle or the fact that no speed control is possible.

The router OF 1010 EQ has solid shaft electronics with the following functions:

Smooth start-up:

The electronically controlled smooth start-up facility enables start-up of the machine without jerks and requires a lower start-up current.

Speed regulation:

Using the electronic speed control (1.1) the motor speed can be continuously adjusted from 10 000 and 23 000 rpm.

The table below offers a guide to the correct electronic setting for various materials. The settings are naturally infinitely variable.

Material	Cutter diameter [mm]			Cutter material
	3-14	15-25	26-35	
Hard wood	6-4	5-3	3-1	HW/HSS
Soft wood	6-5	6-3	4-1	HSS/HW
Panels	6-5	6-3	4-2	HW
Plastic	6-4	5-3	2-1	HW
Aluminium	3-1	2-1	1	HSS/HW
Plasterboard	2-1	1	1	HW

Constant speed:

The selected motor speed is electronically maintained to a constant level. By this means a uniform cutting speed is achieved.

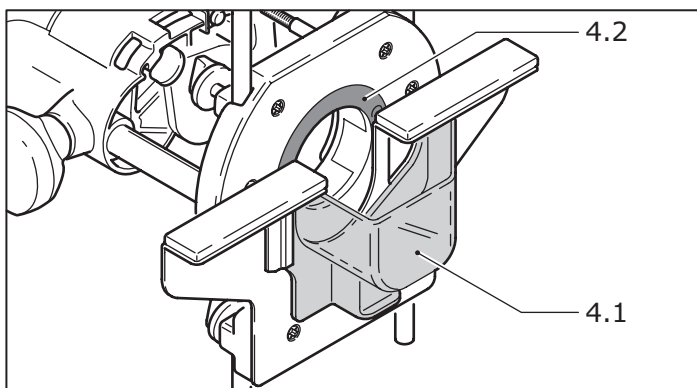
Temperature protection:

Extreme overloading during continuous use leads to the motor overheating. To protect against overheating (burnout of the motor) an electronic temperature monitor is installed. Before a critical motor temperature is reached, the safety electronics switch the motor off. After a cooling down time of about 3 to 5 minutes, the machine is ready for operation again and can be fully loaded. The cooling down time can be reduced considerably if the machine is allowed to idle.

Tool settings

⚠ WARNING Always disconnect the plug from the power supply before making any adjustments to the router or installing or removing any accessory!

Chips extraction

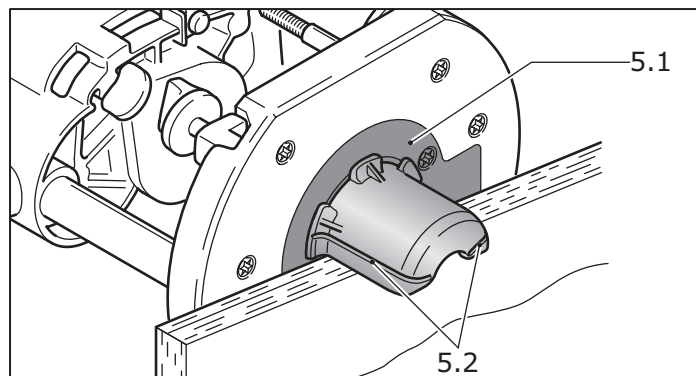


A connection for extracting dust and chips (1.6) is a standard feature on the routers.

At the same time a chip guard (4.1) on the parallel guide (accessory) prevents flying chips. With edge

routing, the best extraction effect is obtained with the extractor hood AH-OF (accessory).

KSF-OF chip catcher



Using the KSF-OF chip catcher (sometimes included in the scope of delivery), the efficiency of the extraction can be increased when routing edges.

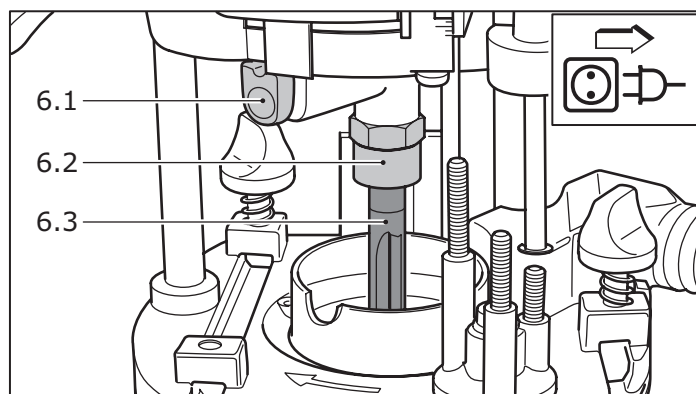
Fasten the KSF-OF chip catcher (5.1) to the platen instead of the cover ring (4.2) from below.

The hood can be cut off along the grooves (5.2) using a hacksaw and can thus be reduced in size. The chip catcher can then be used for interior radiuses up to a minimum radius of 40 mm.

Milling cutters

⚠ WARNING Do not exceed the maximum speed specified on the tool and/or keep to the speed range. Cracked or distorted cutters must not be used.

We recommend that milling cutters with diameters over 30 mm should not be used with this machine.



Inserting the tool

- Insert the router (6.3) into the open clamping collet as far as possible, but at least up to the mark ∇ on the router shank.
- Turn the spindle until the spindle stop (6.1) catches when pressed and the spindle is locked in place.
- Tighten the collet nut (6.2) with a 19 mm open-end spanner.

Removing the tool

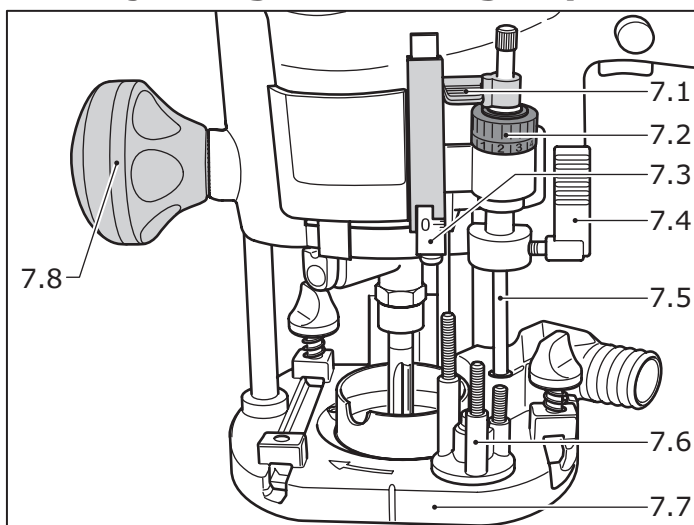
- Turn the spindle until the spindle stop (6.1) catches when pressed and the spindle is locked in place.
- Loosen the collet nut (6.2) using a 19 mm open-ended spanner until a resistance is felt. Overcome this resistance by turning the open-ended spanner even further.
- Remove the cutter.

Clamping collet changing

- Fully unscrew the collet nut (6.2) and remove from spindle together with the clamping collet.
- Insert a new clamping collet with nut into the spindle and slightly tighten the collet nut. Do not tighten the collet nut until a milling cutter has been fitted!

Cutter shank	Clamping collet	
	Ø	Order-No.
Ø 6 mm	6 mm	488 764
Ø 6,35 mm (1/4")	6,35 mm	488 765
Ø 8 mm	8 mm	488 763

Adjusting the milling depth



The milling depth is adjusted in three stages:

a) Setting the zero point

- Open the clamping lever (7.4) so that the stop cylinder (7.5) can be moved freely.
- Place the router with router table (7.7) onto a smooth surface. Open the rotary knob (7.8) and press the machine down until the milling cutter rests on the base. Clamp the machine tight in this position with the rotary knob (7.5).
- Press the stop cylinder against one of the three sensing stops of the pivoted turret stop (7.6).
- The individual height of each sensing stop can be adjusted with a screwdriver.

Sensing stop	min. height	max. height
A	38 mm	44 mm
B	44 mm	54 mm
C	54 mm	67 mm

- Push the pointer (7.1) down so that it shows 0 mm on the scale (7.3).

b) Setting the milling depth

The desired milling depth can be set either with the quick depth adjustment or with the fine depth adjustment.

- **Quick depth adjustment:** Pull the stop cylinder (7.5) up until the pointer shows the desired milling depth. Clamp the stop cylinder in this position with the clamping lever (7.4).
- **Fine depth adjustment:** Lock the stop cylinder with the clamping lever (7.4). Set the desired milling depth by turning the adjusting wheel (7.2) in. Turn the adjusting wheel to the next mark on the scale to adjust the milling depth by 0.1 mm. One full turn adjusts the milling depth by 1 mm. The maximum adjustment range with the adjusting wheel is 8 mm.

c) Increasing the milling depth

Open the rotary knob (7.8) and press the tool down until the stop cylinder touches the sensing stops.

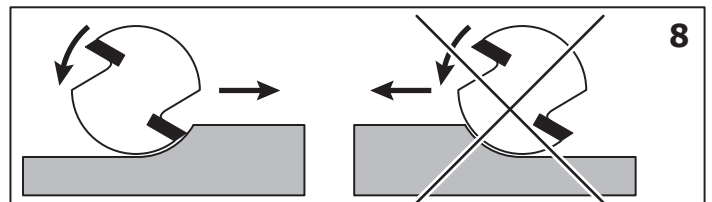
Working with the router

⚠ WARNING Always secure the workpiece in such a manner that it cannot move while being sawed.

⚠ WARNING The machine must always be held with both hands by the designated handles.

⚠ WARNING Always switch the router on first before bringing the tool into contact with the workpiece!

⚠ WARNING Always advance the router in the same direction as the cutting direction of the cutter (counter-routing)!



Support of the workpieces

⚠ WARNING Ensure that your workpieces are securely fixed and cannot move during routing. Otherwise, there is an increased risk of accident. Use screw clamps or some other suitable devices to fix your workpiece.

Aluminium processing

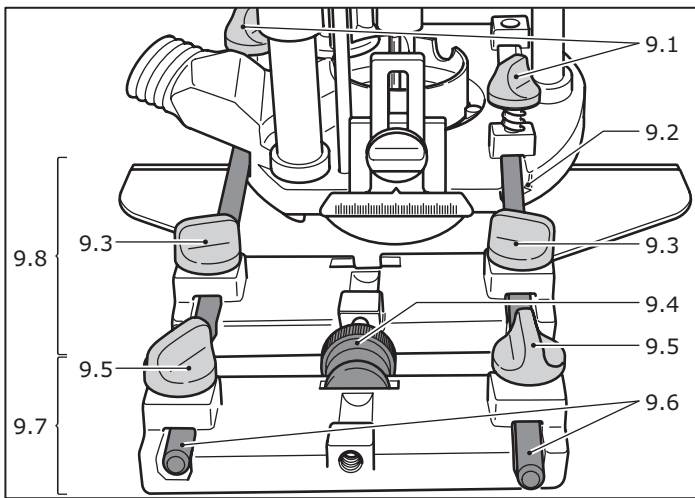
⚠ WARNING The following precautions are to be taken when processing aluminium for safety reasons:

- Pre-connect a residual current circuit-breaker.
- Connect the machine to a suitable dust extractor.
- Clean tool regularly of dust accumulations in the motor housing.
- Wear protective goggles.

Freehand routing

Freehand routing is the method normally used for lettering or shapes, and for routing edges using cutters with a guide pin or ring.

Routing with the parallel guide



The parallel guide (9.8) (accessory) can be used for routing parallel to the edge of the workpiece.

- Clamp the two guide rods (9.6) to the parallel guide with the rotary knobs (9.3).
- Push the guide rods into the grooves (9.2) of the router table until the desired distance between the router and workpiece edge is reached. Clamp the guide rods tight with the rotary knobs (9.1).

This distance can be adjusted faster and more precisely with the fine precision adjustment (9.7) (accessory).

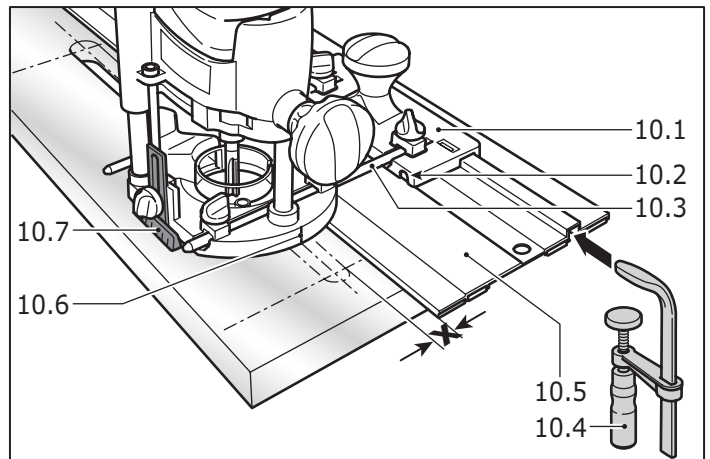
- Turn the adjusting screw (9.4) in the plastic part of the guide.
- Clamp the guide rods with the rotating knobs (9.5) in the precision adjustment.
- Loosen the rotating knobs (9.3) of the parallel guide, set the desired distance with the adjusting screw and retighten the rotating knobs.

Routing with the TV-OF extension table

The extension table TV-OF (accessory) can be used to enlarge the support area of the router and thus improve guidance, e.g. when routing close to

edges. The extension table is fitted in the same way as the parallel guide.

Routing with the FS guide system



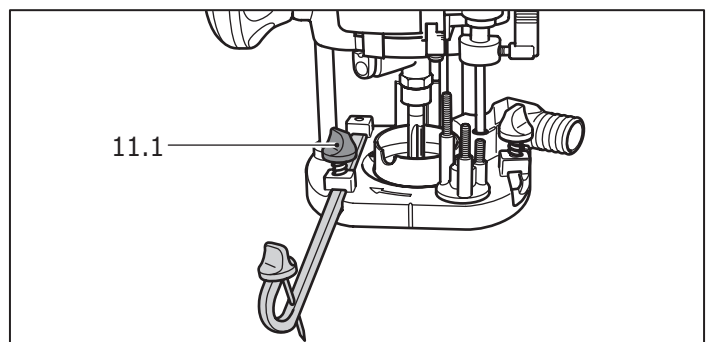
The guide system (accessory) facilitates routing straight grooves.

- Fasten the guide stop (10.1) to the platen with the guide rails (10.3) of the parallel guide.
- Fasten the guide rail (10.5) with FSZ screw clamps (10.4) to the workpiece. Make sure that the safety distance X of 5 mm between the front edge of the guide rail and cutter or groove is observed.
- Place the guide stop onto the guide rail as shown in Fig. 10. To ensure a backlash-free guidance of the router stop you can adjust two guide cheeks with a screwdriver through the side openings (10.2).
- Screw the height-adjustable support (10.7) of the router table's threaded bore in such a way that the underside of the router table is parallel to the surface of the workpiece.

When working with marking-up lines, the marks on the platen (10.6) and the scale on the support (10.7) show the centre axis of the cutter.

Routing with the SZ-OF 1000 beam compasses

With the SZ-OF 1000 beam compasses (accessory) you can make circular cuts or segments of circles with diameters from 153 to 760 mm.



- The beam compasses are pushed into the front groove of the platen until the desired radius is set.

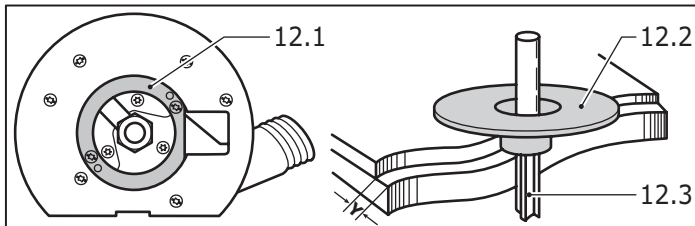
- Lock the beam compasses with the rotating knob (11.1).

Practical hint: To prevent the tip of the compasses from making a hole in the workpiece, fix a thin board at the centre point by means of double-sided adhesive tape.

Copy cutting

A copying ring or the copying device is used to exactly reproduce existing workpieces (both available as accessories).

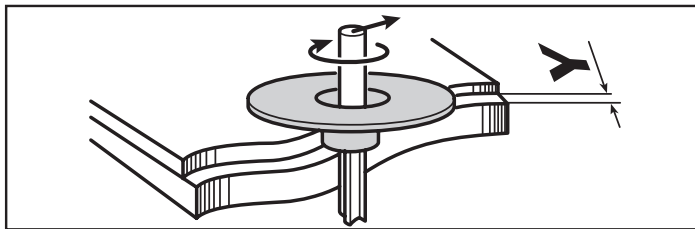
a) Copying ring



- Fasten the copying rings (12.2) to the platen instead of the cover ring (12.1) from below.

CAUTION When choosing the size of the copying ring (12.2) make sure that the cutter used (12.3) fits through the ring's opening.

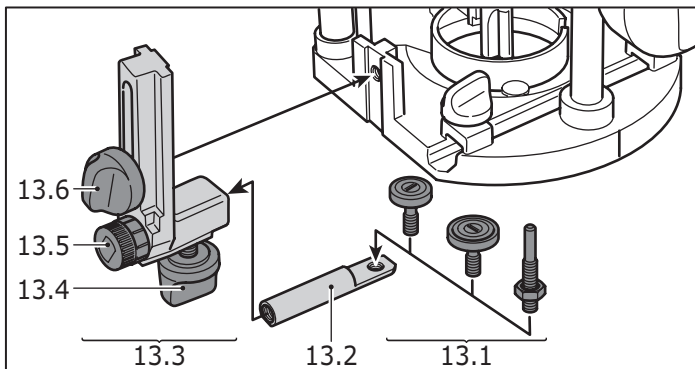
The distance Y between the workpiece and template is calculated by:



$$Y = 1/2 (\text{Ø copying ring} - \text{Ø cutter}) / 2$$

The copying ring can be centred exactly with the centring cone ZF-OF (Order No. 486035)

b) Copying device



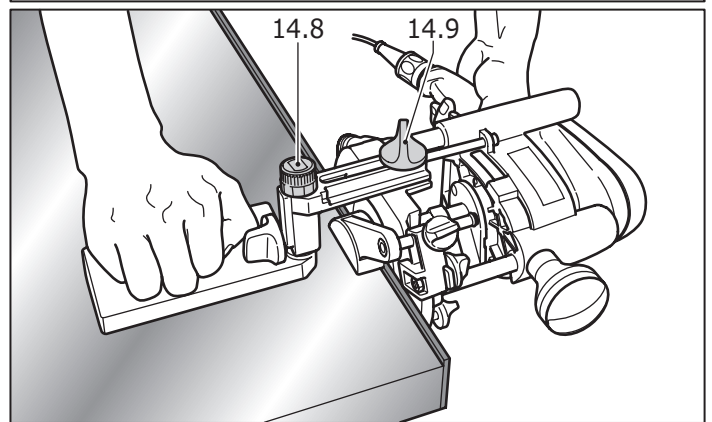
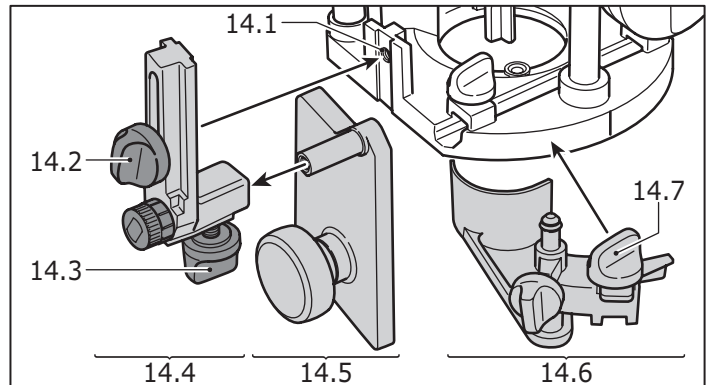
The angle arm WA-OF (13.3) and copier scanning set KT-OF, consisting of roller holder (13.2) and three copying rollers (13.1), are required for the copying device.

- Screw the angle arm at the desired height in the platen's threaded bore (13.7) with the rotating knob (13.6).
- Fit a copying roller in the roller holder and bolt this to the angle arm with the rotating knob

(13.4). Make sure that the copying roller and cutter have the same diameter!

- Turn the adjusting wheel (13.5) to adjust the distance between the copying roller and cutter axis.

Edge band trimming



Protruding edge bands can be flush trimmed with the angle arm WA-OF (14.4) in connection with the guide plate UP-OF (14.5) (accessories) .

- Screw the angle arm into the platen's threaded bore (14.1) with the rotating knob (14.2).
- Bolt the guide plate to the angle arm with the rotating knob (14.3).
- Adjust the milling depth so that this is equal to the thickness of the edge band + 2 mm.
- Move the guide plate (14.5) as close as possible to the cutter by loosening the rotating knob (14.9).
- Adjust the depth of the guide plate with the adjusting wheel (14.8) so that during trimming a few decimillimetres of the edge band are left protruding which can then be sanded down by hand.

The chip guard SF-OF (14.6) (accessory) improves dust extraction when trimming edge bands. It is fastened to the side of the platen with the rotating knob (14.7) and cover the cutter from above during work.

Accessories, tools

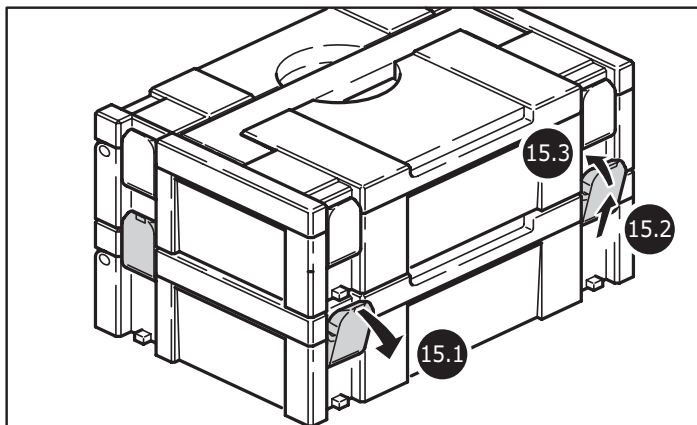
WARNING For safety reasons, only use original Festool accessories and tools!

Festool offers a wide range of accessories for the routers, e.g. to make wooden joints or drill rows of holes.

The accessory and tool order number can be found in the Festool catalogue or on the Internet under www.festool-usa.com.

Systainer

Many Festool products are shipped in a unique system container, called "Systainer". This provides protection and storage for the tool and accessories. The Systainers are stackable and can be interlocked together. They also can be interlocked atop Festool CT dust extractors.



- Place one systainer on top of the other.
- Release all four latches on the lower systainer by pulling back at their top edges (15.1).
- Slide all four latches upward (15.2).
- Snap all four latches back to their flat position (15.3) so they engage the stacking tabs of the upper systainer.

Servicing and maintenance

⚠ WARNING Any maintenance or repair work that requires opening of the motor or gear housing should only be carried out by an authorised Customer Service Centre (name supplied by your dealer)! Maintenance or repair work carried out by an unauthorised person can lead to the wrong connection of the power leads or other components, which in turn can lead to accidents with serious consequences.

⚠ WARNING To prevent accidents, always remove the plug from the power supply socket before carrying out any maintenance or repair work on the machine! Do not use compressed air to clean the electrical tool! Do not try to clean parts inside the machine in this way, as you could let foreign objects in through the openings of the machine housing.

⚠ CAUTION Certain cleaning agents and solvents are harmful to plastic parts. Some of these are: gasoline, carbonyl chloride, cleaning solutions containing chlorine, ammonia and household cleaners containing ammonia. To assure the circulation of

air, the cool air vents in the motor housing must always be kept clear and clean.

This unit is fitted with special, automatically disconnecting carbon brushes. If these become worn, the current is automatically switched off and the unit shuts down. In this case, take the unit to an authorised Customer Service Centre and have the carbon brushes changed.

Warranty

Conditions of 1+2 Warranty

You are entitled to a free extended warranty (1 year + 2 years = 3 years) for your Festool power tool. Festool shall be responsible for all shipping costs during the first year of the warranty. During the second and third year of the warranty the customer is responsible for shipping the tool to Festool. Festool will pay for return shipping to the customer using UPS Ground Service. All warranty service is valid 3 years from the date of purchase on your receipt or invoice.

Festool Limited Warranty

This warranty is valid on the pre-condition that the tool is used and operated in compliance with the Festool operating instructions. Festool warrants, only to the original consumer purchaser, that the specified tool will be free from defects in materials and workmanship for a term of one year from the date of procurement. Festool makes no other warranty, express or implied, for Festool portable power tools. No agent, representative, distributor, dealer or employee of Festool has the authority to increase or otherwise change the obligations or limitations of this warranty. The obligations of Festool in its sole discretion under this warranty shall be limited to the repair or replacement of any Festool portable power tool that is found to be defective as packaged with the User Manual.

Excluded from coverage under this warranty are: normal wear and tear; damages caused by misuse, abuse or neglect; damage caused by anything other than defects in material and workmanship. This warranty does not apply to accessory items such as circular saw blades, drill bits, router bits, jigsaw blades, sanding belts, and grinding wheels. Also excluded are "wearing parts", such as carbon brushes, lamellas of air tools, rubber collars and seals, sanding discs and pads, and batteries.

Festool portable power tools requiring replacement or repair are to be returned with the receipt of purchase to Festool (call 800-554-8741 for address details).

IN NO EVENT SHALL FESTOOL BE LIABLE FOR ANY CONSEQUENTIAL OR INCIDENTAL DAMAGES FOR BREACH OF THIS OR ANY OTHER WARRANTY, EXPRESSED OR IMPLIED

WHATSOEVER. ALL WARRANTIES IMPLIED BY STATE LAW, INCLUDING THE IMPLIED WARRANTIES OF MERCHANTABILITY AND FITNESS FOR A PARTICULAR PURPOSE, ARE HEREBY LIMITED TO THE DURATION OF THREE YEARS.

Some states in the U.S. and some Canadian provinces do not allow the limitations on how long an implied warranty lasts, so the above limitation may not apply to you. With the exception of

any warranties implied by state or province law as hereby limited, the foregoing express limited warranty is exclusive and in lieu of all other warranties, guarantees, agreements and similar obligations of Festool.

This warranty gives you specific legal rights and you may also have other rights which vary from state to state in the U.S. and province to province in Canada.

Table des matières

Règles de sécurité	11
Caractéristiques techniques	13
Symbole	13
Description fonctionnelle	13
Utilisation conforme à la destination	13
Raccordement électrique	13
Mise en marche et arrêt de la machine	14
Electronique	14
Réglages de l'outil	14
Aspiration	14
Récupérateur de copeaux KSF-OF	15
Outils de fraisage	15
Changement de pince de serrage	15
Réglage de la profondeur de fraisage	15
Travailler avec la défonceuse	16
Appui des pièces	16
Traitement de l'aluminium	16
Usinage à la volée	16
Fraisage avec la butée latérale	16
Fraisage avec le rallonge de table TV-OF ...	17
Fraisage avec le système de guidage FS	17
Fraisage avec le compas SZ-OF 1000	17
Copier un fraisage	17
Affleurer avec précision les bandes de chants	18
Accessoires, outils	18
Maintenance et entretien	19
Garantie	19

Règles de sécurité

⚠️ AVERTISSEMENT Assurez-vous de lire et de bien comprendre toutes les instructions. Le non-respect, même partiel, des instructions ci-dessous peut entraîner un risque de choc électrique, d'incendie et/ou de blessures graves.

CONSERVEZ CES INSTRUCTIONS

Règles de sécurité générales

1) Sécurité de aire de travail

- Maintenez l'endroit de travail propre et bien éclairé.** Un lieu de travail en désordre ou mal éclairé augmente le risque d'accidents.
- N'utilisez pas l'appareil dans un environnement présentant des risques d'explosion et où se trouvent des liquides, des gaz ou poussières inflammables.** Les outils électroportatifs génèrent des étincelles risquant d'enflammer les poussières ou les vapeurs.
- Tenez les enfants et autres personnes éloignés durant l'utilisation de l'outil élec-**

troportatif. En cas d'inattention vous risquez de perdre le contrôle sur l'appareil.

2) Sécurité électrique

a) La fiche de secteur de l'outil électroportatif doit être appropriée à la prise de courant. Ne modifiez en aucun cas la fiche. N'utilisez pas de fiches d'adaptateur avec des appareils avec mise à la terre. Les fiches non modifiées et les prises de courant appropriées réduisent le risque de choc électrique.

b) Evitez le contact physique avec des surfaces mises à la terre tels que tuyaux, radiateurs, fours et réfrigérateurs. Il y a un risque élevé de choc électrique au cas où votre corps serait relié à la terre.

c) N'exposez pas l'outil électroportatif à la pluie ou à l'humidité. La pénétration d'eau dans un outil électroportatif augmente le risque d'un choc électrique.

d) N'utilisez pas le câble à d'autres fins que celles prévues, n'utilisez pas le câble pour porter l'appareil ou pour l'accrocher ou encore pour le débrancher de la prise de courant. Maintenez le câble éloigné des sources de chaleur, des parties grasses, des bords tranchants ou des parties de l'appareil en rotation. Un câble endommagé ou torsadé augmente le risque d'un choc électrique.

e) Au cas où vous utiliseriez l'outil électroportatif à l'extérieur, utilisez une rallonge autorisée homologuée pour les applications extérieures. L'utilisation d'une rallonge électrique homologuée pour les applications extérieures réduit le risque d'un choc électrique.

f) Ne tenez l'outil qu'à l'aide des poignées isolées, lorsque vous êtes susceptibles de toucher des lignes électriques cachées ou votre propre câble électrique, lorsque vous travaillez avec des outils de tronçonnage. Si des outils de tronçonnage touchent des lignes électriques, des pièces métalliques de l'outil peuvent être mises sous tension et asséner une décharge électrique à l'utilisateur.

3) Sécurité des personnes

a) Restez vigilant, surveillez ce que vous faites. Faites preuve de bon en utilisant l'outil électroportatif. N'utilisez pas l'appareil lorsque vous êtes fatigué ou après avoir consommé de l'alcool, des drogues ou avoir pris des médicaments. Un moment d'inattention lors de l'utilisation de l'appareil peut entraîner de graves blessures sur les personnes.

b) Portez des équipements de protection. Portez toujours des lunettes de protection. Le fait de porter des équipements de protection personnels tels que masque anti-poussières,

chaussures de sécurité antidérapantes, casque de protection ou protection acoustique suivant le travail à effectuer, réduit le risque de blessures.

c) Évitez une mise en service par mégarde. Assurez-vous que l'interrupteur est effectivement en position d'arrêt avant de retirer la fiche de la prise de courant. Le fait de porter l'appareil avec le doigt sur l'interrupteur ou de brancher l'appareil sur la source de courant lorsque l'interrupteur est en position de fonctionnement, peut entraîner des accidents.

d) Enlevez tout outil de réglage ou toute clé avant de mettre l'appareil en fonctionnement. Une clé ou un outil se trouvant sur une partie en rotation peut causer des blessures.

e) Ne surestimez pas vos capacités. Veillez à garder toujours une position stable et équilibrée. Ceci vous permet de mieux contrôler l'appareil dans des situations inattendues.

f) Portez des vêtements appropriés. Ne portez pas de vêtements amples ni de bijoux. Maintenez cheveux, vêtements et gants éloignés des parties de l'appareil en rotation. Des vêtements amples, des bijoux ou des cheveux longs peuvent être happés par des pièces en mouvement.

g) Si des dispositifs servant à aspirer ou à recueillir les poussières doivent être utilisés, vérifiez que ceux-ci soient effectivement raccordés et qu'ils sont correctement utilisés. L'utilisation de tels dispositifs réduit les dangers dus aux poussières.

4) Utilisation et entretien des outils

a) Ne surchargez pas l'appareil. Utilisez l'outil électroportatif approprié au travail à effectuer. Avec l'outil électroportatif approprié, vous travaillerez mieux et avec plus de sécurité à la vitesse pour laquelle il est prévu.

b) N'utilisez pas un outil électroportatif dont l'interrupteur est défectueux. Un outil électroportatif qui ne peut plus être mis en ou hors fonctionnement est dangereux et doit être réparé.

c) Retirez la fiche de la prise de courant avant d'effectuer des réglages sur l'appareil, de changer les accessoires, ou de ranger l'appareil. Cette mesure de précaution empêche une mise en fonctionnement par mégarde.

d) Gardez les outils électroportatifs non utilisés hors de portée des enfants. Ne permettez pas l'utilisation de l'appareil à des personnes qui ne se sont pas familiarisées avec celui-ci ou qui n'ont pas lu ces instructions. Les outils électroportatifs sont dangereux lorsqu'ils sont utilisés par des personnes non initiées.

e) Prenez soin des outils électroportatifs. Vérifiez que les parties en mouvement fonctionnent correctement et qu'elles ne soient pas coincées, et contrôlez si des parties sont cassées ou endommagées de telle sorte que le bon fonctionnement de l'appareil s'en trouve entravé. Faites réparer les parties endommagées avant d'utiliser l'appareil. De nombreux accidents sont dus à des outils électroportatifs mal entretenus.

f) Maintenez les outils de coupe aiguisés et propres. Des outils soigneusement entretenus avec des bords tranchants bien aiguisés se coincent moins souvent et peuvent être guidés plus facilement.

g) Utilisez les outils électroportatifs, les accessoires, les outils à monter etc. conformément à ces instructions et aux prescriptions en vigueur pour ce type d'appareil. Tenez compte également des conditions de travail et du travail à effectuer. L'utilisation des outils électroportatifs à d'autres fins que celles prévues peut entraîner des situations dangereuses.

5) Entretien et réparation

a) Ne faites réparer votre outil électroportatif que par un personnel qualifié et seulement avec des pièces de rechange d'origine. Ceci permet d'assurer la sécurité de l'appareil.

Règle de sécurité particulière supplémentaire

a) Tenez l'outil par ses surfaces de prise isolées pendant toute opération où l'outil de coupe pourrait venir en contact avec un câblage dissimulé ou avec son propre cordon. En cas de contact avec un conducteur sous tension, les pièces métalliques à découvert de l'outil transmettraient un choc électrique à l'utilisateur.

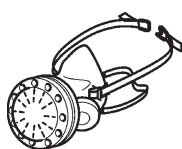
b) Immobilisez l'outil sur une surface stable au moyen de brides ou de toute autre façon adéquate. Le fait de tenir la pièce avec la main ou contre votre corps offre une stabilité insuffisante et peut amener un dérapage de l'outil.

⚠️ AVERTISSEMENT POUR RÉDUIRE LE RISQUE DE DOMMAGES, L'UTILISATEUR DOIT LIRE ET COMPRENDRE LE MANUEL D'INSTRUCTION.

⚠️ AVERTISSEMENT Certaines poussières créées par le ponçage mécanique, le sciage, le meulage, le perçage et autres activités reliées à la construction contiennent des substances chimiques connues (dans l'État de la Californie) comme pouvant causer le cancer, des anomalies congénitales ou représenter d'autres dangers pour la reproduction. Voici quelques exemples de telles substances:

- plomb provenant de peintures à base de plomb,
- silice cristallisée utilisée dans les briques, le ciment et autres matériaux de maçonnerie, et
- arsenic et chrome du bois d'œuvre traité avec un produit chimique.

Le risque d'exposition à de tels produits varie selon la fréquence à laquelle vous faites ce genre de travail.



Pour réduire les risques d'exposition à ces substances chimiques : travaillez dans un endroit adéquatement ventilé et utilisez un équipement de sécurité approuvé, tel que masques antipoussières spécialement conçus pour filtrer les particules microscopiques.

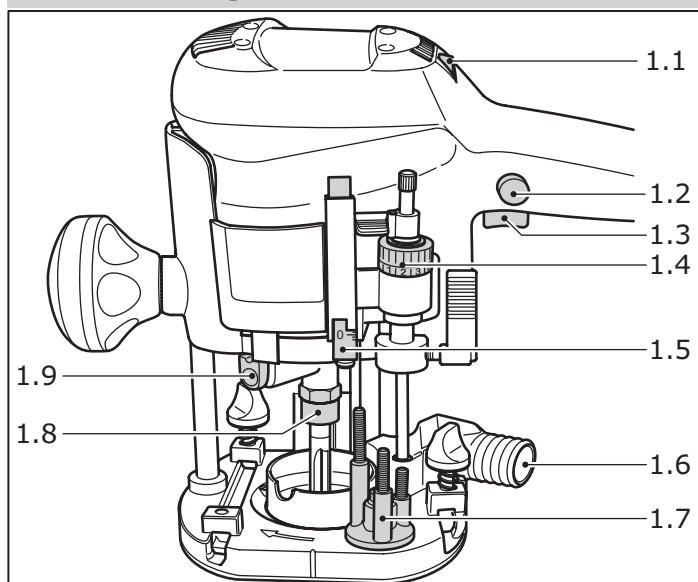
Caractéristiques techniques

Puissance absorbée1010 Watts (8.4 A)
 Vitesse de rotation de
 la broche 10000 - 23000 tr/min
 Réglage en profondeur rapide ... 55 mm (2.17")
 Réglage en profondeur fin 8 mm (0.31")
 Filetage de broche M 16 x 1.5
 Poids2.7 kg (6.0 lbs)
 Sécurité \square / II

Symbole

V	Volt
A	Ampère
Hz	Hertz
W	Watt
~	tension alternative
n_0	vitesse de rotation à vide
\square	casse II conception
tr/min	tours par minute

Description fonctionnelle



- 1.1 Régulateur de vitesse de rotation
- 1.2 Bouton de blocage
- 1.3 Interrupteur marche/arrêt
- 1.4 Réglage en profondeur
- 1.5 Graduation
- 1.6 Manchon d'aspiration
- 1.7 Butée tournante
- 1.8 L'écrou de la pince de serrage
- 1.9 Spindle stop

Utilisation conforme à la destination

Les défonceuses sont destinées à fraiser le bois, les matières plastiques et les matériaux ressemblant au bois. En cas d'utilisation des outils de fraisage prévus à cet effet dans les documentations de vente Festool, de l'aluminium et du placoplâtre peuvent également être traités.

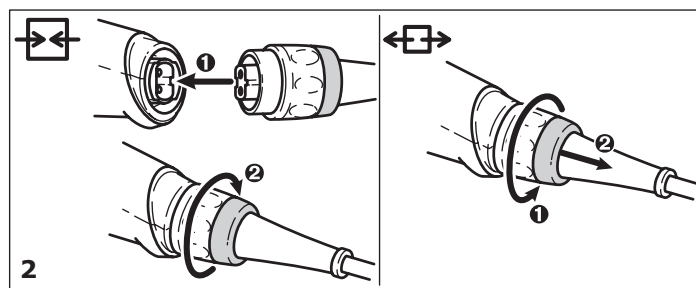
⚠ AVERTISSEMENT L'utilisateur est seul tenu responsable des dommages et des accidents qui résulteraient d'une utilisation non conforme.

Raccordement électrique

La tension du secteur doit correspondre à l'indication de la tension sur la plaquette signalétique. Un fusible de 16 A (à 120 V) ou un disjoncteur de puissance approprié est nécessaire.

Voir en figure suivante la connexion et la déconnexion du câble de raccordement au secteur.

⚠ AVERTISSEMENT Avant de connexion ou de déconnexion le câble de raccordement secteur, il est absolument indispensable de toujours mettre la machine hors marche!



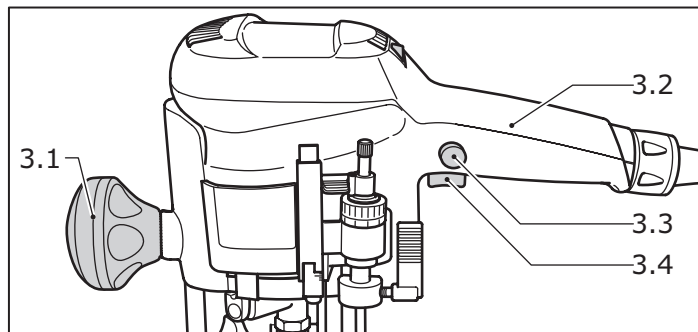
Câble de rallonge

Si une rallonge électrique est nécessaire, elle doit présenter une section suffisante afin d'éviter une chute de tension excessive ou une surchauffe. Une chute de tension excessive réduit la puissance et peut entraîner la destruction du moteur. Le tableau suivant vous présente la section correcte du câble en fonction de sa longueur pour la défonceuse OF 1010 EQ. Utilisez exclusivement des rallonges recommandées par U.L. et CSA. N'utilisez jamais deux rallonges branchées l'une après l'autre, mais remplacez-les par une rallonge plus longue.

Longueur totale rallonge (pieds)	25	50	100	150
Section du câble (AWG)	18	16	14	12

Remarque: plus le numéro AWG est petit, plus la section du câble est grande.

Mise en marche et arrêt de la machine



⚠ AVERTISSEMENT Lors de la mise en marche et en cours d'utilisation, tenez toujours la machine à deux mains à la poignée (3.2) et à la poignée supplémentaire (3.1).

Un interrupteur (3.4) permet de déclencher la fonction Marche-Arrêt. Pour une utilisation en continu, l'interrupteur peut être bloqué en position Marche, par l'intermédiaire d'un bouton poussoir latéral (3.3). Le fait d'actionner de nouveau l'interrupteur donne lieu au déblocage du bouton-poussoir.

⚠ AVERTISSEMENT Après l'arrêt de la machine, la fraise tourne encore quelque temps. Attention de ne pas toucher la fraise avec une partie du corps pendant qu'elle décélère !

Electronique

⚠ AVERTISSEMENT Cela peut entraîner une vitesse de rotation trop élevée. Une électronique défectueuse peut être remarquée si le démarrage progressif est inexistant, s'il existe un bruit sourd lors de la rotation à vide ou encore si aucun réglage de la vitesse de rotation n'est possible.

La défonceuse OF 1010 EQ dispose d'une électronique à ondes pleines permettant les fonctions suivantes:

Démarrage en douceur:

Le démarrage en douceur réglé électroniquement assure un démarrage sans à-coups de la machine et nécessite un courant de démarrage plus faible.

Réglage de la vitesse de rotation:

La vitesse de rotation peut être réglée progressivement entre 10 000 et 23 000 tr/min, par l'intermédiaire d'un variateur (1.1).

Le tableau suivante vous indiquera les différentes positions de l'électronique adaptées aux matériaux fraisés. Les vitesses sont variables.

Matériau	Fraise diamètre [mm]			Matériau de l'outil
	3-14	15-25	26-35	
Bois tendre	6-4	5-3	3-1	HW/HSS
Bois dur	6-5	6-3	4-1	HSS/HW
Panneaux	6-5	6-3	4-2	HW
Plastique	6-4	5-3	2-1	HW
Aluminium	3-1	2-1	1	HSS/HW
Placoplâtre	2-1	1	1	HW

Vitesse constante:

La vitesse présélectionnée du moteur est maintenue constante par un système électronique. On obtient également ainsi une vitesse de coupe constante en cas de charge.

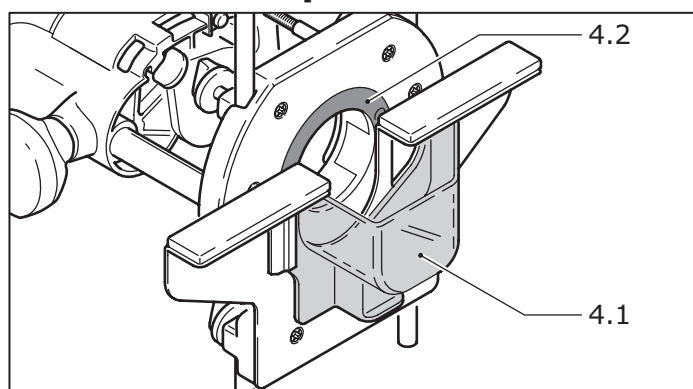
Sécurité thermique:

Une surcharge extrême en utilisation continue entraîne une surchauffe du moteur. Une surveillance thermique électronique est intégrée afin de protéger le moteur contre une surchauffe (brûlure du moteur). Avant qu'une température critique du moteur soit atteinte, la sécurité électronique coupe le moteur. Après un temps de refroidissement d'environ 3 à 5 minutes, la machine est à nouveau en état de marche et totalement apte à supporter les charges. Le temps de refroidissement peut être nettement réduit en laissant tourner la machine à vide.

Réglages de l'outil

⚠ AVERTISSEMENT Débranchez toujours la fiche de la source de courant avant d'entreprendre quelque réglage que ce soit sur la scie circulaire ou avant de monter/démonter un accessoire!

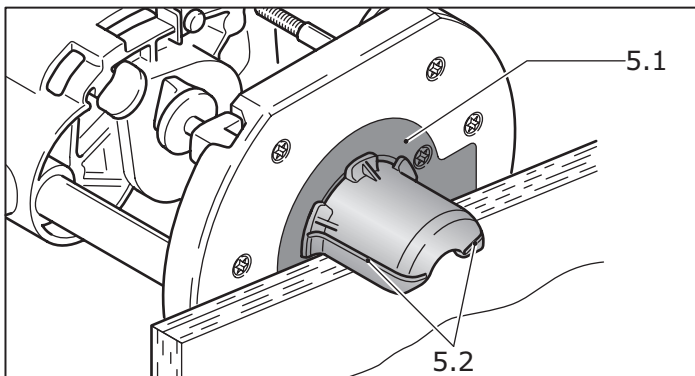
Aspiration



Les défonceuses sont équipées en série d'un branchement pour aspiration des poussières et des copeaux (1.6).

En même temps, on évite la projection des copeaux grâce à un capot d'aspiration (4.1) monté sur la butée latérale (accessoire). Lors des travaux de chanfreinage, le capot d'aspiration AH-OF (accessoire) assure la meilleure aspiration.

Récupérateur de copeaux KSF-OF



Le récupérateur de copeaux KSF-OF (en partie dans l'équipement standard) accroît l'efficacité du système d'aspiration lors des opérations d'affleurement.

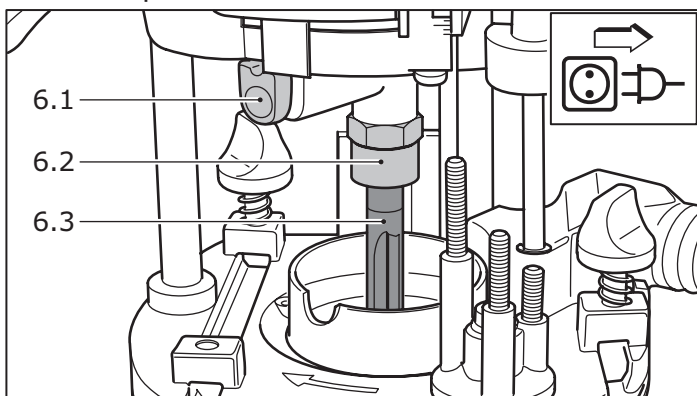
Fixez le récupérateur de copeaux KSF-OF (5.1) de par le bas sur la table de fraisage, à la place de la bague de recouvrement (4.2).

Le capot peut être découpé le long des gorges (5.2) avec une scie alternative afin de le réduire. Le récupérateur de copeaux peut alors être utilisé jusqu'à un rayon minimum de 40 mm pour les rayons intérieurs.

Outils de fraisage

AVERTISSEMENT La vitesse maximale indiquée sur l'outil ne doit pas être dépassée par le haut ou resp. les limites de la vitesse de rotation doivent être respectées. Ne pas utiliser de fraises déformées ou usées.

Nous recommandons de ne pas utiliser de fraises d'un Ø supérieur à 30 mm sur cette machine.



Insertion de l'outil

- Introduire la fraise (6.3) aussi loin que possible dans la pince de serrage ouverte, au moins jusqu'au repère ∇ de la tige de la fraise.
- Tournez la broche jusqu'à ce que le blocage d'arbre (6.1) s'enclenche lors de son enfoncement puis se bloque.
- Serrez l'écrou (6.2) à l'aide de la clé à fourche d'ouverture de 19.

Retrait de l'outil

- Tournez la broche jusqu'à ce que le blocage d'arbre (6.1) s'enclenche lors de son enfoncement puis se bloque.

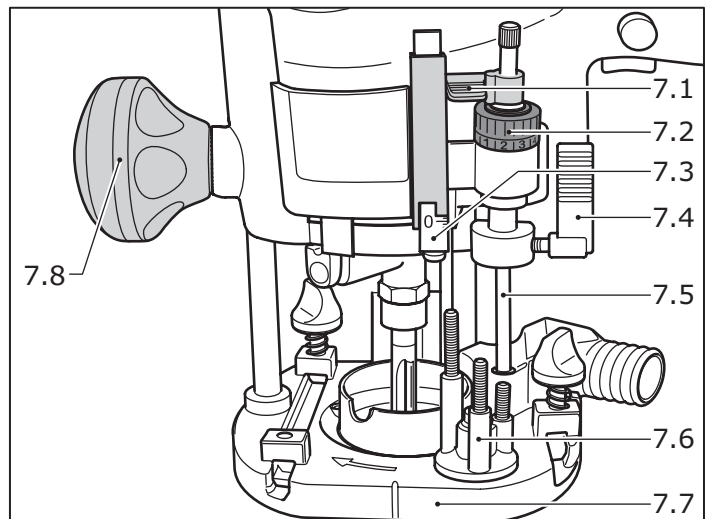
- Desserrez l'écrou (6.2) à l'aide d'une clé à fourche d'ouverture de 19 jusqu'au point de résistance. Continuez à tourner la clé pour vaincre ce point de résistance.
- Retirez la fraise.

Changement de pince de serrage

- Démontez complètement l'écrou (6.2) et reprenez-le de l'arbre avec la pince.
- Introduisez une nouvelle pince avec écrou dans l'arbre et serrez l'écrou légèrement. Ne pas serrez à fond l'écrou s'il n'y a pas de fraise!

Axe	Pince de serrage	
	Ø	Order-No.
Ø 6 mm	6 mm	488 764
Ø 6,35 mm (1/4")	6,35 mm	488 765
Ø 8 mm	8 mm	488 763

Réglage de la profondeur de fraisage



Le réglage de la profondeur de fraisage s'opère en trois étapes:

a) Réglage du zéro

- Débloquez le levier de serrage (7.4) de sorte que la butée de profondeur (7.5) devienne entièrement mobile.
- Placez la défonceuse avec la table de fraisage (7.7) sur un support plan. Débloquez le bouton rotatif (7.8) et poussez la machine vers le bas jusqu'à ce que la défonceuse soit en contact avec le support. Fixez la machine au moyen du bouton rotatif (7.5) dans cette position.
- Poussez la butée de profondeur contre l'une des trois butées fixes de la butée tournante (7.6).
- Un tournevis vous permet de régler individuellement la hauteur de chacune des butées fixes.

Butée fixe	hauteur min.	hauteur max.
A	38 mm	44 mm
B	44 mm	54 mm
C	54 mm	67 mm

- Poussez l'indicateur (7.1) vers le bas, de sorte qu'il soit dirigé sur 0 mm sur la graduation (7.3).

b) Détermination de la profondeur de fraisage

La profondeur de fraisage souhaitée peut être réglée soit par le réglage rapide en profondeur soit par le réglage fin en profondeur.

- **Réglage rapide en profondeur:** Tirez la butée de profondeur (7.5) vers le haut jusqu'à ce que l'indicateur indique la profondeur de fraisage souhaitée. Bloquez la butée de profondeur au moyen du levier de serrage (7.4) dans cette position.
- **Réglage fin en profondeur:** Bloquez la butée de profondeur au moyen du levier de serrage (7.4). Réglez la profondeur de fraisage souhaitée en tournant le bouton moleté (7.2). En tournant le bouton d'un trait, la profondeur de fraisage se modifie de 0,1 mm. Un tour complet donne lieu à une variation de 1 mm. La plage de réglage maximale du bouton moleté est de 8 mm.

c) Réduire la profondeur de fraisage

Desserrez le bouton rotatif (7.8) et poussez la machine vers le bas jusqu'à ce que la butée de profondeur soit au contact la butée fixe.

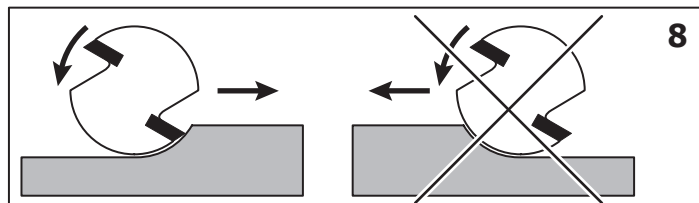
Travailler avec la défonceuse

⚠️ AVERTISSEMENT Fixer la pièce à usiner de manière à ce qu'elle ne puisse pas bouger pendant le traitement.

⚠️ AVERTISSEMENT Tenir la machine en toute sécurité avec les deux mains et la déplacer seulement lentement vers le bas.

⚠️ AVERTISSEMENT Avant tout contact de l'outil avec la pièce à usiner, mettez toujours la défonceuse en route.

⚠️ AVERTISSEMENT Travaillez de sorte que le sens d'avance de la défonceuse corresponde au sens de coupe de la fraise (fraisage opposé).



Appui des pièces

⚠️ AVERTISSEMENT Veillez à ce que vos pièces reposent en toute sécurité et qu'elles ne puissent pas bouger pendant le fraisage. Vous exposez sinon à de graves risques d'accident. Utilisez serre-joints ou d'autres équipements appropriés pour fixer votre pièce.

Traitement de l'aluminium

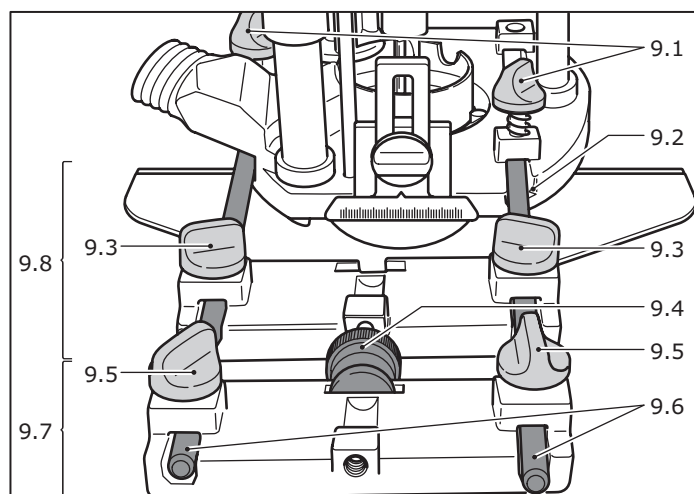
⚠️ AVERTISSEMENT Pour des raisons de sécurité, respecter les mesures suivantes dans le cas du traitement de l'aluminium :

- Installer un commutateur de sécurité à courant de défaut (FI).
- Raccorder l'outil à un aspirateur approprié.
- La machine doit régulièrement être nettoyée pour éliminer les dépôts de poussières accumulées dans le corps du moteur.
- Porter des lunettes de protection.

Usinage à la volée

Ce type d'usinage s'effectue essentiellement pour les écritures et fraisage de tableaux et pour l'usinage de chants en utilisant des fraises avec galet-butée ou avec guide-butée.

Fraiser avec la butée latérale



Pour effectuer un fraisage parallèle sur chants, on peut utiliser la butée latérale (9.8) (accessoire) fournie.

- Fixez les deux tiges de guidage (9.6) au moyen des boutons rotatifs (9.3) sur la butée latérale.
- Introduisez les tiges de guidage dans les rainures (9.2) de la table jusqu'à ce que l'écart souhaité entre la fraise et le chant de la pièce soit ajusté. Bloquez les tiges au moyen des boutons rotatifs (9.1).

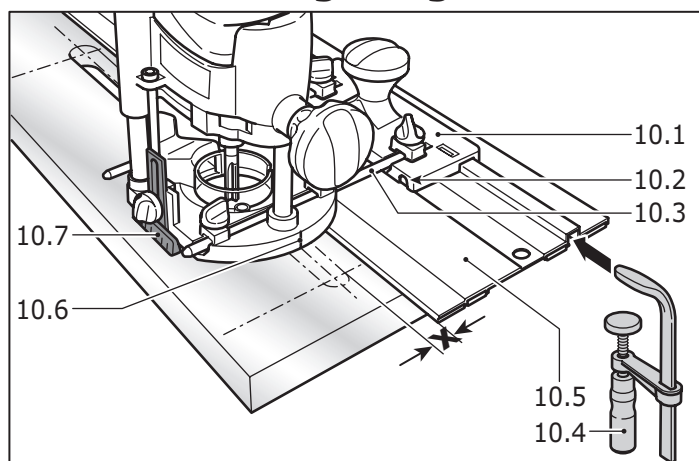
Un réglage plus précis et plus rapide de l'écart peut être effectué en mettant en œuvre l'accessoire dispositif de réglage fin (9.7).

- Vissez la vis d'ajustage (9.4) dans la pièce en plastique de la butée latérale.
- Serrez les tiges de guidage par l'intermédiaire des boutons rotatifs (9.5) sur le dispositif de réglage fin.
- Desserrez les boutons rotatifs (9.3) sur la butée latérale et ajustez l'écart souhaité au moyen de la vis d'ajustage puis resserrez les boutons rotatifs.

Fraisage avec le rallonge de table TV-OF

Afin d'agrandir la surface de la défonceuse et d'améliorer par conséquent le guidage, par exemple en cas de travaux près des bords, il est possible de monter la rallonge de table TV-OF (accessoire). La rallonge de table peut être montée de la même manière que la butée latérale.

Fraiser avec le système de guidage FS



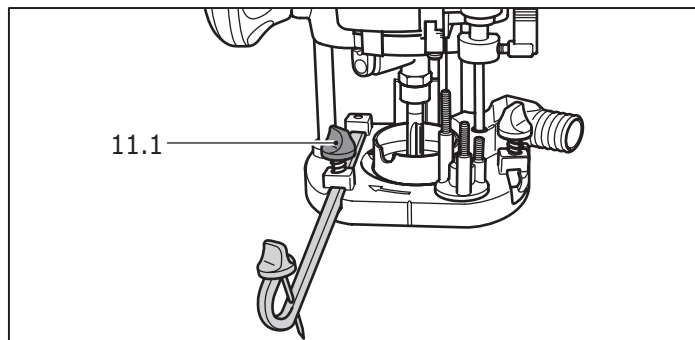
Le système de guidage FS (accessoire) facilite le fraisage de rainures droites.

- Fixez la butée de guidage (10.1) au moyen des tiges de guidage (10.3) de la butée latérale sur la table de fraisage.
- Fixez le rail de guidage (10.5) au moyen de serre-joint (10.4) sur la pièce. Veillez à ce qu'un écart de sécurité X de 5 mm soit respecté entre le bord avant du rail de guidage et l'outil ou resp. la rainure.
- Posez la butée de guidage sur le rail de guidage comme représenté figure 10. Afin d'assurer un guidage sans jeu de la butée de fraisage, il est possible de régler, avec un tournevis, les deux mâchoires de guidage, au travers des deux orifices latéraux (10.2).
- Vissez l'appui réglable en hauteur (10.7) sur le trou fileté de la table de fraisage, de sorte que la face inférieure de la table de fraisage et la surface de la pièce à usiner soient parallèles.

Afin de pouvoir travailler suivant tracé, les marquages sur la table de fraisage (10.6) et la graduation sur l'appui (10.7) vous indiquent l'axe central de la fraise.

Fraisage avec le compas SZ-OF 1000

Avec le compas SZ-OF 1000 (accessoire) vous pouvez usiner des pièces rondes ainsi que des secteurs de cercle présentant un diamètre entre 153 et 760 mm.



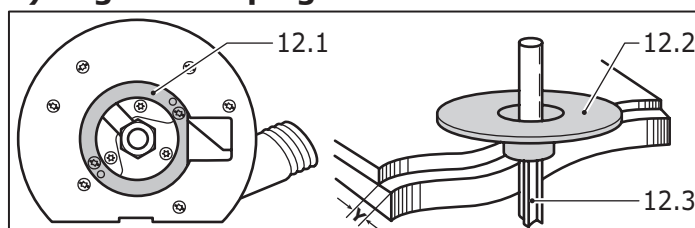
- Introduisez le compas dans la rainure avant de la table de fraisage jusqu'à ce que le rayon souhaité soit ajusté.
- Bloquez le compas au moyen du bouton rotatif (11.1).

Conseil: pour éviter la trace de la pointe du compas sur le bois usiné, collez, avec une bande adhésive sur les deux faces, une petite pièce de bois sur le point central.

Copier un fraisage

Afin de reproduire une pièce existante exactement, on utilise une bague ou le système de copiage (les deux disponibles en tant qu'accessoire).

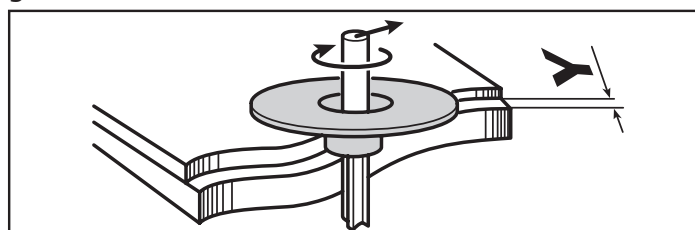
a) Bague de copiage:



- Fixez la bague de copiage (12.2) de par le bas sur la table de fraisage, à la place de la bague de recouvrement (12.1).

⚠ MISE EN GARDE Lors du choix de la taille de la bague de copiage (12.2), veillez à ce que le diamètre de la fraise utilisée (12.3) corresponde au diamètre de la bague.

La saillie Y de la pièce à usiner par rapport au gabarit se calcule comme suit :

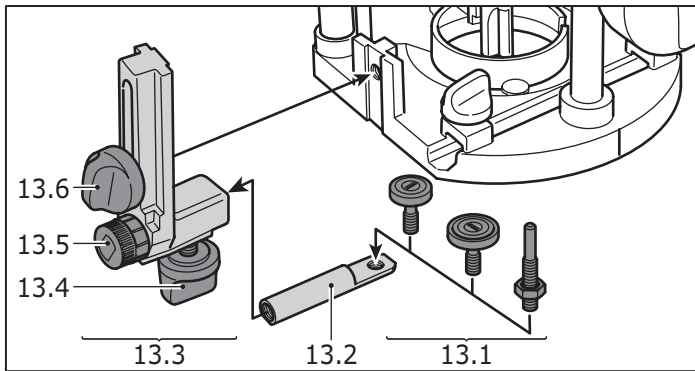


$$Y = 1/2 (\text{Ø de la bague de copiage} - \text{Ø de la fraise})$$

La bague de copiage peut être centrée exactement avec le cône central ZF-OF (référence 486 035).

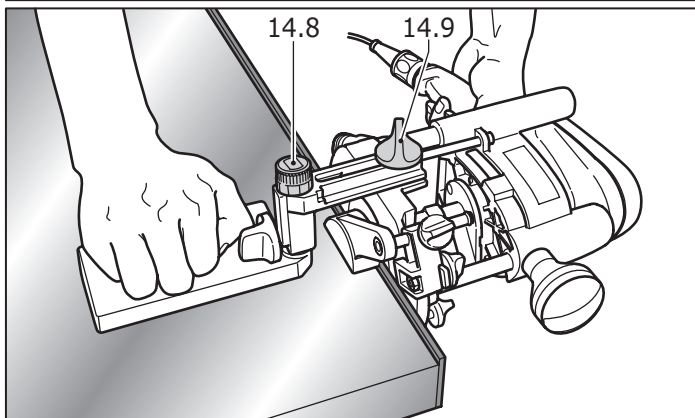
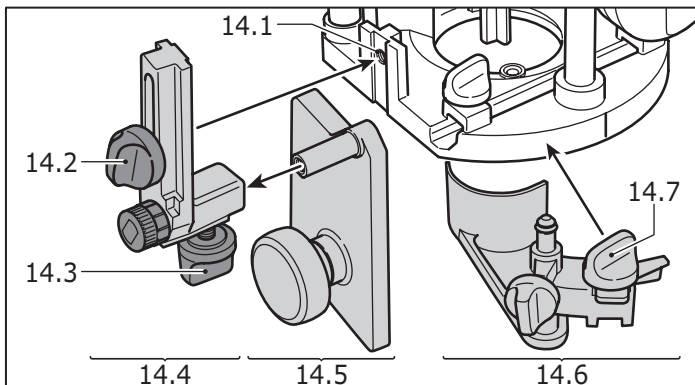
b) Système de copiage

Le système de copiage exige le bras angulaire WA-OF (13.3) et le set de copiage KT-OF, comprenant un support de galets (13.2) et trois galets de copiage (13.1).



- Vissez le bras angulaire, au moyen du bouton rotatif (13.6), à la hauteur souhaitée sur le trou fileté (13.7) de la table de fraisage.
- Montez un galet de copiage sur le support de galets puis vissez ce dernier au moyen du bouton rotatif (13.4) à fond sur le bras angulaire. Veillez à ce que le rouleau de copiage et que la fraise présentent le même diamètre !
- En tournant le bouton moleté (13.5), la distance entre galet et l'axe de la fraise peut être réglée.

Affleurer avec précision les bandes de chants



Le bras angulaire WA-OF (14.4), en liaison avec la plaque de guidage UP-OF (14.5) (accessoires), permettent d'affleurer les bandes de chants en saillie.

- Vissez le bras angulaire au moyen du bouton rotatif (14.2) sur le trou fileté (14.1) de la table de fraisage.
- Vissez la plaque de guidage, au moyen du bouton rotatif (14.3), sur le bras angulaire.

- Réglez la profondeur de fraisage de sorte que l'épaisseur des bandes de chants soit de +2 mm.
- Déplacez la plaque de guidage (14.5), en ouvrant le bouton rotatif (14.9), le plus proche possible vers la fraise.
- Réglez la profondeur de la plaque de guidage au moyen du bouton moleté (14.8), de sorte que, lors de l'affleurage, seuls quelques dixièmes de millimètres des bandes de chants restent présents, ceux-ci devant alors être poncés manuellement.

La protection contre les projections de copeaux SF-OF (14.6) (accessoire) améliore, lors du fraisage de chants, l'aspiration de poussières. Elle est fixée latéralement, au moyen du bouton rotatif (14.7), sur la table de fraisage et recouvre la fraise de par le haut lors des travaux.

Accessoires, outils

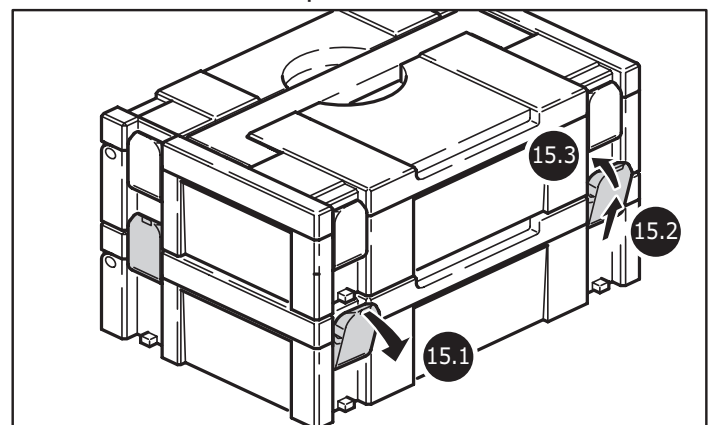
AVERTISSEMENT Pour des raisons de sécurité, il faut utiliser exclusivement des accessoires et outils d'origine Festool!

Festool vous offre une large gamme d'accessoires pour les défonceuses, pour assurer par exemple la réalisation d'assemblages de bois ou afin de pouvoir percer une série de trous.

Les références des accessoires et outils figurent dans le catalogue Festool ou sur Internet sous www.festool-usa.com.

Systainer

De nombreux produits Festool sont fournis dans une caisse exclusive, appelée "Systainer". Celle-ci permet de protéger et de ranger des outils et des appareils complémentaires. Les Systainer sont empilables et peuvent être solidarifiés. En outre, il se fixent sur les aspirateurs CT Festool.



- Poser deux Systainer l'un sur l'autre,
- défaire les quatre éléments de verrouillage du Systainer inférieur en les tirant en arrière par leur bord supérieur (15.1).
- pousser les quatre éléments de verrouillage vers le haut (15.2)

- manoeuvrer les quatre éléments de verrouillage (15.3) de sorte qu'ils s'enclenchent au niveau des éléments récepteurs du Systainer supérieur.

Maintenance et entretien

⚠ AVERTISSEMENT Toutes les interventions de maintenance et de réparation qui exigent l'ouverture du carter du moteur ou de l'engrenage doivent uniquement être réalisées par un atelier de service après-vente agréé (demandez ses coordonnées à votre revendeur)! La maintenance ou la réparation de la machine par des personnes non autorisées peut entraîner un branchement incorrect de câbles électriques ou d'autres composants, ce qui peut provoquer des accidents avec de graves blessures.

⚠ AVERTISSEMENT Afin d'empêcher les accidents, il faut toujours débrancher la fiche de la source de courant avant toute intervention de maintenance ou de réparation! N'utilisez pas d'air comprimé pour nettoyer l'outil électrique ! N'essayez pas de nettoyer des pièces à l'intérieur de la machine en introduisant des objets par les ouvertures de l'appareil.

⚠ MISE EN GARDE Certains détergents et solvants détériorent les pièces en matière plastique. Citons notamment l'essence, le chlorure de carbone, les solutions de détergents contenant du chlore, l'ammoniac et les détergents ménagers contenant de l'ammoniac. Les ouvertures d'air de refroidissement du carter du moteur doivent être toujours maintenues dégagées et propres pour assurer la circulation de l'air.

La machine est équipée de charbons spéciaux à coupure automatique. Lorsqu'ils sont usés, le courant est automatiquement interrompu et la machine s'arrête. Apportez dans ce cas votre scie dans un atelier de service après-vente agréé qui se chargera de remplacer les charbons.

Garantie

Conditions de la garantie (1+2 ans)

Vous avez droit à une prolongation de garantie gratuite (1 an + 2 ans = 3 ans) sur votre outil électrique Festool. Festool assumera tous les coûts d'expédition pendant la première année de la garantie alors que les deuxième et troisième années, les coûts devront être assumés par le client. Festool paiera les frais de retour de l'outil au client par service de livraison terrestre UPS. La garantie est valable pour une période de 3 ans à compter de la date d'achat indiquée sur votre reçu ou votre facture.

Garantie limitée de Festool

Cette garantie est valable à condition que l'outil soit utilisé conformément aux instructions de Festool. Festool garantit, à l'acheteur initial seulement, que l'outil indiqué sera exempt de tout défaut de matériau et de fabrication pendant un an à compter de la date d'achat. Festool ne donne aucune garantie supplémentaire, implicite ou explicite, sur les instruments portables électriques Festool. Aucun agent, représentant commercial, distributeur, vendeur ou employé de Festool n'est autorisé à prolonger ou à modifier les obligations ou restrictions de la présente garantie. Les obligations de Festool sont, à son entière discrétion, limitées à la réparation ou à l'échange des outils portables électriques Festool trouvés défectueux dans le présent emballage, tels que fournis avec le présent Guide d'utilisation.

Cette garantie exclut l'usure normale, les dommages causés par un usage impropre, les abus ou la négligence, ou tout dommage autre que ceux attribuables à des défauts de matériau et de fabrication. Cette garantie ne s'applique pas aux accessoires tels que lames de scie circulaire, mèches de perceuse et vilebrequin, lames de scie sauteuse, bandes abrasives et meules. Sont également exclues les pièces d'usure, telles que balais de charbon, lamelles pour outils à air comprimé, joints et manchons de caoutchouc, disques et patins ponceurs, ainsi que les piles.

Les outils électriques portables Festool à remplacer ou à réparer doivent être retournés avec le reçu d'achat à Festool (appelez au 800-554-8741 pour connaître l'adresse d'expédition).

FESTOOL N'EST EN AUCUN CAS RESPONSABLE DES DOMMAGES DIRECTS OU INDIRECTS, IMPLICITES OU EXPLICITES, DÉCOULANT DE LA RUPTURE DE CETTE GARANTIE OU DE TOUTE AUTRE GARANTIE. TOUTES LES GARANTIES IMPLICITES, Y COMPRIS LES GARANTIES IMPLICITES DE QUALITÉ MARCHANDE ET D'ADÉQUATION À UN USAGE PARTICULIER, SONT LIMITÉES À UNE PÉRIODE DE TROIS ANS.

Certains états américains et certaines provinces canadiennes ne permettent pas la limitation des garanties implicites; il se pourrait donc que les limites indiquées ci-dessus ne s'appliquent pas dans votre cas. À l'exception de certaines garanties implicites des provinces ou des états indiqués ici, la présente garantie est exclusive et remplace toute autre garantie, convention et obligation similaire de Festool.

Cette garantie vous confère des droits légaux spécifiques, et vous pouvez aussi avoir d'autres droits pouvant varier d'un état à l'autre, ou d'une province à l'autre au Canada.

Contenido

Normas de seguridad	20
Datos técnicos	22
Símbolos	22
Descripción del funcionamiento	22
Empleo conforme a la destinación	22
Conexión eléctrica	22
Conexión y desconexión de la máquina	23
Electrónica	23
Ajustes en la máquina	23
Dispositivo aspirador de virutas	23
Colector de virutas KSF-OF	24
Fresas	24
Cambiar el mandril	24
Ajustar la profundidad de fresado	24
Trabajando con la fresadora	25
Apoyo de las piezas	25
Fresando metal (Aluminio)	25
Fresado a pulso	25
Fresado con tope lateral	25
Fresado con ampliación de mesa TV-OF	26
Fresado con sistema de guía FS	26
Fresar con el compás de vara SZ-OF 1000 .	26
Fresar copiando	26
Fresar al ras los perfiles de encolado	27
Accesorios, herramientas	27
Mantenimiento y limpieza	27
Garantía	28

Normas de seguridad

⚠️ ADVERTENCIA Lea y entienda todas las instrucciones. El incumplimiento con las instrucciones aquí referidas puede resultar en una descarga eléctrica, fuego y/o lesiones personales serias.

CONSERVE ESTAS INSTRUCCIONES

Normas generales de seguridad

1) Seguridad del espacio de trabajo

a) Mantenga limpio y bien iluminado su puesto de trabajo. El desorden y una iluminación deficiente en las áreas de trabajo pueden provocar accidentes.

b) No utilice la herramienta eléctrica en un entorno con peligro de explosión, en el que se encuentren combustibles líquidos, gases o material en polvo. Las herramientas eléctricas producen chispas que pueden llegar a inflamar los materiales en polvo o vapores.

c) Mantenga alejados a los niños y otras personas de su puesto de trabajo al emplear la

herramienta eléctrica. Una distracción le puede hacer perder el control sobre el aparato.

2) Seguridad eléctrica

a) El enchufe del aparato debe corresponder a la toma de corriente utilizada. No es admisible modificar el enchufe en forma alguna. No emplear adaptadores en aparatos dotados con una toma de tierra. Los enchufes sin modificar adecuados a las respectivas tomas de corriente reducen el riesgo de una descarga eléctrica.

b) Evite que su cuerpo toque partes conectadas a tierra como tuberías, radiadores, cocinas y refrigeradores. El riesgo a quedar expuesto a una sacudida eléctrica es mayor si su cuerpo tiene contacto con tierra.

c) No exponga las herramientas eléctricas a la lluvia y evite que penetren líquidos en su interior. Existe el peligro de recibir una descarga eléctrica si penetran ciertos líquidos en la herramienta eléctrica.

d) No utilice el cable de red para transportar o colgar el aparato, ni tire de él para sacar el enchufe de la toma de corriente. Mantenga el cable de red alejado del calor, aceite, esquinas cortantes o piezas móviles. Los cables de red dañados o enredados pueden provocar una descarga eléctrica.

e) Al trabajar con la herramienta eléctrica en la intemperie utilice solamente cables de prolongación homologados para su uso en exteriores. La utilización de un cable de prolongación adecuado para su uso en exteriores reduce el riesgo de una descarga eléctrica.

f) Sujete la máquina únicamente por las empuñaduras aisladas si durante los trabajos las herramientas para separar pueden entrar en contacto con conducciones eléctricas ocultas o incluso con el cable de la corriente. Cuando las herramientas para separar entran en contacto con conducciones eléctricas bajo tensión, las partes metálicas de la máquina pueden adquirir esta tensión y transmitir, de ese modo, una descarga eléctrica al usuario.

3) Seguridad personal

a) Esté atento a lo que hace y emplee la herramienta eléctrica con prudencia. No utilice la herramienta eléctrica si estuviese cansado, ni tampoco después de haber consumido alcohol, drogas o medicamentos. El no estar atento durante el uso de una herramienta eléctrica puede provocarle serias lesiones.

b) Utilice un equipo de protección y en todo caso unas gafas de protección. El riesgo a lesionarse se reduce considerablemente si, depen-

diendo del tipo y la aplicación de la herramienta eléctrica empleada, se utiliza un equipo de protección adecuado como una mascarilla antipolvo, zapatos de seguridad con suela antideslizante, casco, o protectores auditivos.

c) Evite una puesta en marcha fortuita del aparato. Cerciorarse de que el aparato esté desconectado antes conectarlo a la toma de corriente. Si transporta el aparato sujetándolo por el interruptor de conexión/desconexión, o si introduce el enchufe en la toma de corriente con el aparato conectado, ello puede dar lugar a un accidente.

d) Retire las herramientas de ajuste o llaves fijas antes de conectar la herramienta eléctrica. Una herramienta o llave colocada en una pieza rotante puede producir lesiones al ponerse a funcionar.

e) Sea precavido. Trabaje sobre una base firme y mantenga el equilibrio en todo momento. Ello le permitirá controlar mejor la herramienta eléctrica en caso de presentarse una situación inesperada.

f) Lleve puesta una vestimenta de trabajo adecuada. No utilice vestimenta amplia ni joyas. Mantenga su pelo, vestimenta y guantes alejados de las piezas móviles. La vestimenta suelta, las joyas y el pelo largo se pueden enganchar con las piezas en movimiento.

g) Siempre que sea posible utilizar unos equipos de aspiración o captación de polvo, asegúrese que éstos estén montados y que sean utilizados correctamente. El empleo de estos equipos reduce los riesgos derivados del polvo.

4) Uso y cuidado de la herramienta

a) No sobrecargue el aparato. Use la herramienta prevista para el trabajo a realizar. Con la herramienta adecuada podrá trabajar mejor y más seguro dentro del margen de potencia indicado.

b) No utilice herramientas con un interruptor defectuoso. Las herramientas que no se puedan conectar o desconectar son peligrosas y deben hacerse reparar.

c) Saque el enchufe de la red antes de realizar un ajuste en el aparato, cambiar de accesorio o al guardar el aparato. Esta medida preventiva reduce el riesgo a conectar accidentalmente el aparato.

d) Guarde las herramientas fuera del alcance de los niños y de las personas que no estén familiarizadas con su uso. Las herramientas utilizadas por personas inexpertas son peligrosas.

e) Cuide sus aparatos con esmero. Controle si funcionan correctamente, sin atascarse, las partes móviles del aparato, y si existen partes rotas o deterioradas que pudieran afectar al funcionamiento de la herramienta. Si la herramienta eléctrica estuviese defectuosa haga repararla antes de volver a utilizarla. Muchos de los accidentes se deben a aparatos con un mantenimiento deficiente.

f) Mantenga los útiles limpios y afilados. Los útiles mantenidos correctamente se dejan guiar y controlar mejor.

g) Utilice herramientas eléctricas, accesorios, útiles, etc. de acuerdo a estas instrucciones y en la manera indicada específicamente para este aparato. Considere en ello las condiciones de trabajo y la tarea a realizar. El uso de herramientas eléctricas para trabajos diferentes de aquellos para los que han sido concebidas puede resultar peligroso.

5) Mantenimiento

a) Únicamente haga reparar su herramienta eléctrica por un profesional, empleando exclusivamente piezas de repuesto originales. Solamente así se mantiene la seguridad de la herramienta eléctrica.

Normas de seguridad específicas

a) Sujete la herramienta por la superficie de agarre aislada cuando realice una operación donde la herramienta de corte pueda contactar alambres ocultos o su propio cable. El contacto con un alambre con corriente hará traspasar la corriente a las partes de metal de la herramienta resultando en una descarga eléctrica al usuario.

b) Use abrazaderas u otras formas prácticas de sujetar y asegurar la pieza de trabajo en una plataforma estable. El sujetar la pieza de trabajo con la mano o contra el cuerpo es inestable y puede causar la pérdida de control.

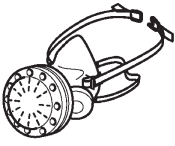
⚠ADVERTENCIA PARA REDUCIR EL RIESGO DE LESIÓN, EL USUARIO DEBE LEER Y ENTENDER EL MANUAL DE INSTRUCCIÓN.

⚠ADVERTENCIA Algunos polvos creados por lijadoras motorizadas, aserraderos, trituradores, perforadoras y otras actividades de construcción contienen sustancias químicas que se sabe (en el Estado de California) causan cáncer, defectos de nacimiento u otros daños al sistema reproductivo. Algunos ejemplos de estas sustancias químicas son:

- Plomo de las pinturas con base de plomo

- Sílice cristalino de los ladrillos y cemento y otros productos de mampostería, y
- Arsénico y cromo de madera tratada con sustancias químicas

El riesgo de exposición a estas sustancias varía, dependiendo de cuantas veces se hace este tipo de trabajo.



Para reducir el contacto con estas sustancias químicas: trabaje en un área con buena ventilación y trabaje con equipo de seguridad aprobado, como mascarillas para el polvo diseñadas específicamente para filtrar partículas microscópicas.

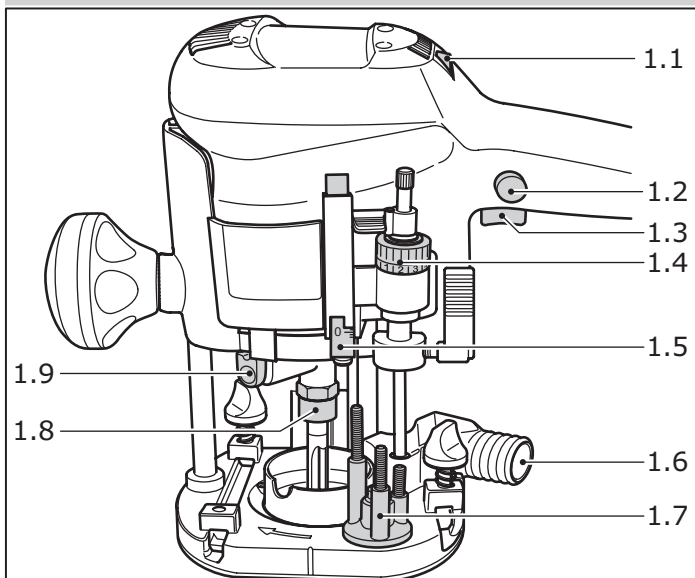
Datos técnicos

Potencia	1010 W (8.4 A)
Velocidad del eje de accionamiento	10000 – 23000 rpm
Ajuste rápido de profundidad ...	55 mm (2.17")
Ajuste de precisión de profundidad	8 mm (0.31")
Alojamiento del eje de accionamiento ..	M 16x1.5
Peso	2.7 kg (6.0 lbs)
Seguridad	□ / II

Símbolos

V	voltios
A	amperios
Hz	hertzios
W	vatios
~	rensión alterna
n_0	revoluciones sin carga
□	Clase II Construcción
rpm	revoluciones por minuto

Descripción del funcionamiento



- 1.1 Regulador del número de revoluciones
- 1.2 Botón de bloqueo
- 1.3 Interruptor de conexión/desconexión
- 1.4 Ajuste de la profundidad de fresado
- 1.5 Escala
- 1.6 Boquilla de aspiración
- 1.7 Tope de revólver
- 1.8 Tuerca de la pinza
- 1.9 Dispositivo de bloqueo del husillo

Empleo conforme a la destinación

Las fresadoras son adecuadas para fresar madera, plásticos y materiales similares a la madera. Se pueden usar para fresar aluminio y paneles de yeso recubiertos unilateralmente con cartón si se emplean las fresas adecuadas según se indica en la documentación de venta de Festool.

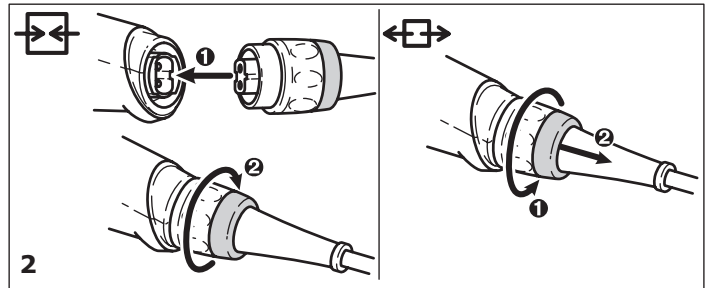
ADVERTENCIA El usuario se responsabiliza de los daños y accidentes debidos a un uso inadecuado.

Conexión eléctrica

La tensión de la red tiene que coincidir con lo indicado en la placa de características. Se requiere un fusible de 16 A (con 120 V), o un correspondiente disyuntor de protección.

Vea la figura siguiente para enchufar y desenchufar el cable de conexión.

ADVERTENCIA Apague siempre la máquina antes de conectar o sacar el cable de conexión a la red.



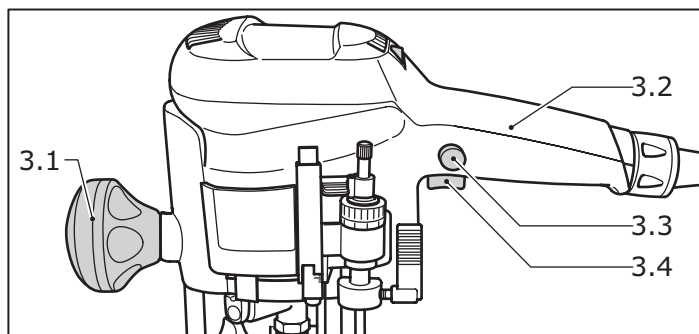
Cable de prolongación

Cuando se necesite un cable de prolongación, éste tiene que disponer de una sección suficiente a fin de evitar una excesiva caída de tensión o un sobrecalentamiento. Una excesiva caída de la tensión reduce la potencia y puede conducir a una destrucción del motor. En la tabla de abajo indica el diámetro de cable correcto para la fresadora OF 1010 EQ, a saber, en función de la longitud de cable. Emplear únicamente los cables de prolongación listados por U.L. y CSA. No emplear nunca dos cables de prolongación conectados el uno con el otro. En lugar de ello, emplear uno correspondientemente largo.

Longitud total del cable (pies)	25	50	100	150
Diámetro de cable (AWG)	18	16	14	12

Observación: Cuanto más bajo es el número AWG, tanto mayor es el diámetro del cable.

Conexión y desconexión de la máquina



⚠ADVERTENCIA La máquina tiene que ser sujeta siempre con ambas manos por la empuñadura (3.2) y por la empuñadura adicional (3.1) durante la conexión y el uso.

El interruptor (3.4) para conectar y desconectar es un pulsador. Para un trabajo continuo se puede mantener conectado el interruptor con el botón lateral de conexión continua (3.3). Pulsando otra vez el interruptor, deja de estar bloqueado.

⚠ADVERTENCIA Tras la desconexión de la máquina, la fresa continúa girando en inercia durante un momento. ¡Proceda con cuidado, para evitar que la fresa entre en contacto con alguna parte de su cuerpo mientras continúa girando en inercia!

Electrónica

⚠ADVERTENCIA No trabaje con la fresadora OF 1010 EQ si el sistema electrónico no funciona correctamente, pues se podría alcanzar una velocidad excesiva. Se reconoce que el sistema electrónico está averiado si falta el arranque suave, si la máquina es más ruidosa en marcha en vacío o si no es posible regular la velocidad.

La fresadora OF 1010 EQ dispone de un sistema electrónico de onda completa con las siguientes funciones:

Arranque suave:

La regulación electrónica permite un arranque suave y sin sacudidas y necesita menos corriente para el arranque.

Regulación del número de revoluciones:

La velocidad del motor se puede regular de modo continuo entre 10 000 y 23 000 rpm con el regulador de velocidad (1.1).

La tabla de abajo le facilita valores aproximados para poder trabajar con un nivel de potencia adecuado al material.

Material	Diámetro de la fresa [mm]			Material de la fresa
	3-14	15-25	26-35	
Madera dura	6-4	5-3	3-1	HW/HSS
Madera blanca	6-5	6-3	4-1	HSS/HW
Tableros	6-5	6-3	4-2	HW
Plástico	6-4	5-3	2-1	HW
Aluminio	3-1	2-1	1	HSS/HW
Cartón de yeso	2-1	1	1	HW

Velocidad constante:

La velocidad preseleccionada para el motor es mantenida constante electrónicamente. De este modo se consigue una velocidad de corte uniforme aún bajo carga.

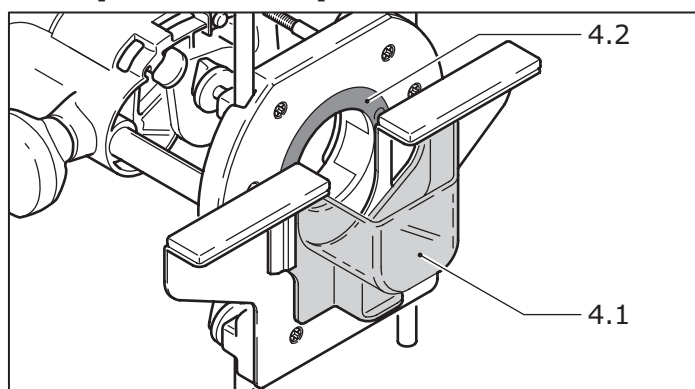
Dispositivo protector contra sobretemperaturas:

Una sobrecarga extrema durante un funcionamiento continuo conduce a un calentamiento del motor. Como medida de protección contra un sobrecalentamiento (destrucción del motor a causa de altas temperaturas) se ha incorporado un dispositivo electrónico para el control de la temperatura. Antes de alcanzarse una temperatura crítica para el motor, el dispositivo electrónico de seguridad desconecta el motor. Tras un período de enfriamiento de aprox. 3 a 5 minutos, la máquina está de nuevo en disposición de funcionamiento permitiendo una plena solicitud. El tiempo de enfriamiento puede ser acortado considerablemente, dejando que la máquina funcione en vacío.

Ajustes en la máquina

⚠ADVERTENCIA ¡Desenchufar siempre el enchufe de la fuente de alimentación, antes de proceder a cualquier tipo de ajustes en la sierra circular de mano, o antes de montar o desmontar cualquier tipo de accesorios!

Dispositivo aspirador de virutas

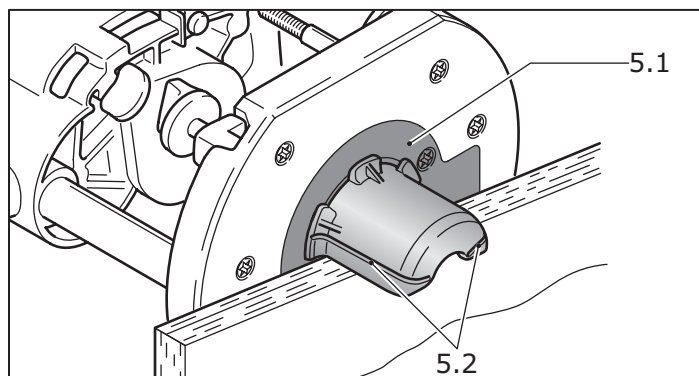


Las fresadoras vienen equipadas de serie con un empalme para la aspiración de virutas y de polvo (1.6).

Al mismo tiempo una caperuza de aspiración (4.1) en el tope lateral (accesorio) impide que salgan

disparadas las virutas. Al fresar cantos se obtienen excelentes resultados de aspiración al emplearse la caperuzita de aspiración AH-OF (accesorio).

Colector de virutas KSF-OF



Mediante el colector de virutas KSF-OF (parcialmente en el suministro) se puede aumentar la efectividad de la aspiración al fresar cantos.

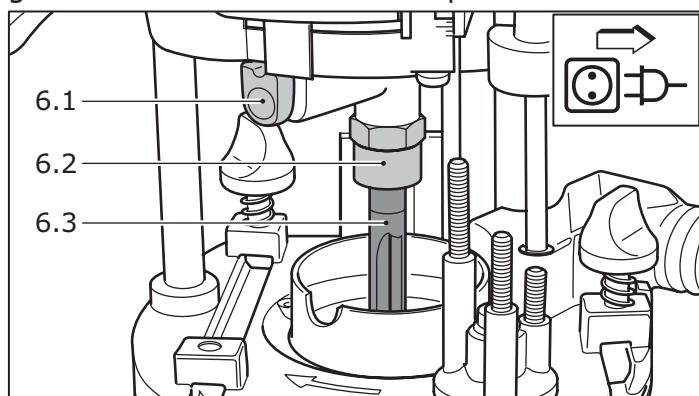
Fije por debajo el colector de virutas KSF-OF (5.1) en vez del anillo de protección (4.2), a la base de la fresadora.

La caperuzita se puede recortar con una sierra de arco a lo largo de las ranuras (5.2) reduciendo de este modo el tamaño. El colector de virutas se puede utilizar entonces en radios interiores hasta un mínimo de 40 mm.

Fresas

ADVERTENCIA No se puede superar la velocidad máxima indicada en la herramienta, o, lo que es lo mismo, la velocidad tiene que mantenerse en el margen tolerado. No se deben usar las fresas agrietadas o deformadas.

Recomendamos no emplear con esta máquina ninguna fresa con un diámetro superior a 30 mm.



Insertar la herramienta

- Inserte la fresa (6.3) hasta donde le sea posible, al menos hasta la marca \surd en el vástago de la fresa en la pinza abierta.
- Gire el husillo hasta que el bloqueo del husillo (6.1) encaje al ser apretado y el husillo quede bloqueado.
- Apriete la tuerca (6.2) con una llave de horquilla de ancho 19.

Retirar la herramienta

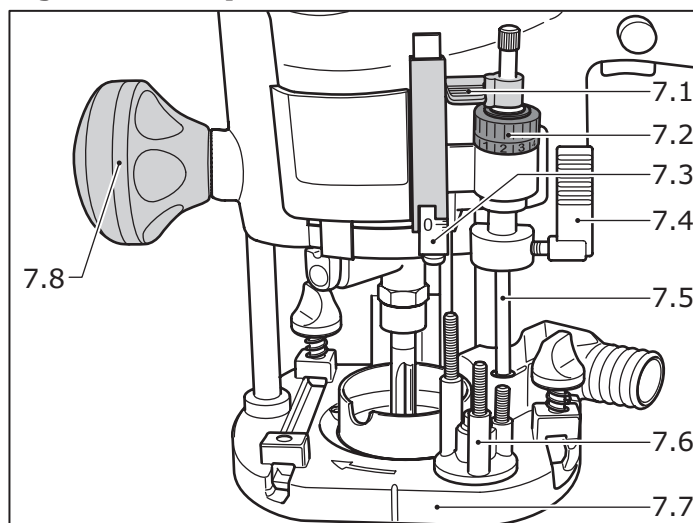
- Gire el husillo hasta que el bloqueo del husillo (6.1) encaje al ser apretado y el husillo quede bloqueado.
- Afloje la tuerca (6.2) con una llave de horquilla de ancho 19 hasta que note una resistencia. Supere esta resistencia girando más la llave de horquilla.
- Saque la fresa.

Cambiar el mandril

- Desatornille la tuerca (6.2) completamente y sáquela, junto con el mandril, del husillo.
- Ponga un nuevo mandril con tuerca en el husillo y apriete la tuerca ligeramente. No apriete bien la tuerca mientras no haya metido ninguna fresa.

Diámetro de la fresa	Pinza de sijección	
	Ø	Order-No.
Ø 6 mm	6 mm	488 764
Ø 6,35 mm (1/4")	6,35 mm	488 765
Ø 8 mm	8 mm	488 763

Ajustar la profundidad de fresado



La profundidad de fresado se ajusta en tres pasos:

a) Ponerla en cero

- Abra la palanca de sujeción (7.4), de modo que el tope de profundidad (7.5) se pueda mover libremente.
- Ponga la fresadora con la base de fresado (7.7) sobre una superficie plana. Abra la ruedecilla (7.8) y empuje la máquina hacia abajo hasta que la fresa descansa sobre la superficie. Fije bien la máquina en esta posición cerrando la ruedecilla (7.5).
- Apriete el tope de profundidad contra uno de los tres tope fijos del tope de revólver (7.6).
- Con un destornillador puede ajustar individualmente cada tope fijo.

Topo fijo		altura mín.	altura máx.
	A	38 mm	44 mm
	B	44 mm	54 mm
	C	54 mm	67 mm

- Desplace el indicador (7.1) hacia abajo, de modo que indique 0 mm en la escala (7.3).

b) Preajustar la profundidad de fresado

Se puede preajustar la profundidad de fresado con el ajuste rápido o con el ajuste de precisión.

- Ajuste rápido de la profundidad de fresado:

Tire del topo de profundidad (7.5) hacia arriba hasta que el indicador señale la profundidad de fresado deseada. Fije el topo de profundidad en esta posición cerrando la palanca de sujeción (7.4).

- Ajuste de precisión de la profundidad de fresado:

Fije el topo de profundidad con la palanca de sujeción (7.4). Ajuste la profundidad de fresado deseada girando la rueda de ajuste (7.2). Al girar la rueda una marca, la profundidad varía 0,1 mm. Un giro completo supone 1 mm. El margen máximo de ajuste de la rueda es 8 mm.

c) Terminar el ajuste de la profundidad de fresado

Abra la ruedecilla (7.8) y apriete la máquina hacia abajo hasta que el topede profundidad toque al topo fijo.

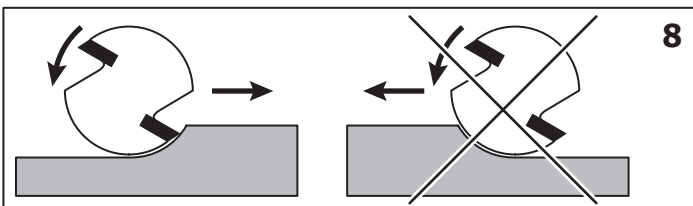
Trabajando con la fresadora

⚠ADVERTENCIA Fije la pieza de trabajo siempre de forma que no se pueda mover cuando se trabaje con ella.

⚠ADVERTENCIA La máquina deberá sujetarse siempre con ambas manos en las empuñaduras previstas para ello.

⚠ADVERTENCIA Conecte primero la fresadora antes de tocar la pieza con la fresa.

⚠ADVERTENCIA Trabaje siempre de modo que la dirección de avance de la fresa sea igual a la dirección de corte de la fresa (fresado en sentido contrario).



Apoyo de las piezas

⚠ADVERTENCIA Facilite en todo momento un apoyo seguro de sus piezas, y que no se puedan mover durante el aserrado. En caso contrario existe un gran peligro de accidentes. Emplee prensas de tornillo u otros dispositivos apropiados para la fijación de su pieza.

Fresado metal (Aluminio)

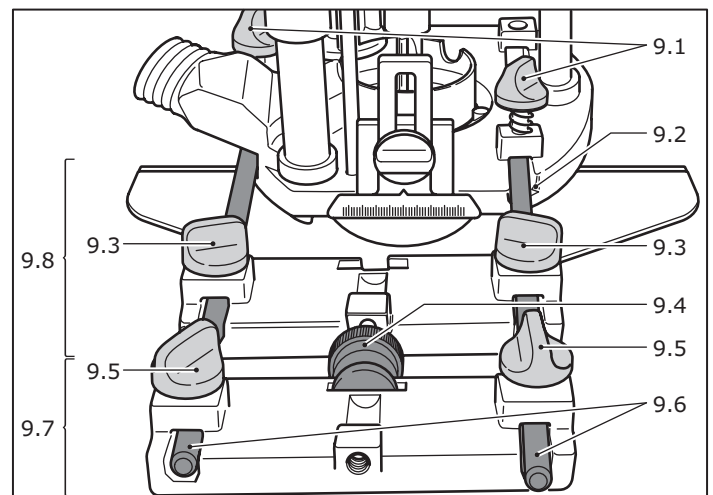
⚠ADVERTENCIA Al trabajar con aluminio deberá tener presente las siguientes medidas por motivos de seguridad:

- Agregar un interruptor de corriente de defecto (FI).
- Conectar la máquina a un aparato de aspiración apropiado.
- Limpieza periódica en la máquina para eliminar las aglomeraciones de polvo en el cárter del motor.
- Usar gafas de protección.

Fresado a pulso

Principalmente al fresar letras o figuras o al fresar cantos empleando fresas con anillo copiador o espiga de guía se guía la fresadora a pulso.

Fresado con topo lateral



Para los trabajos paralelos al canto de la pieza se puede emplear el topo lateral (9.8) (accesorio) adjunto.

- Fije las dos barras de guía (9.6) con las ruedecillas (9.3) al topo lateral.
- Introduzca las barras de guía en las ranuras (9.2) de la base de fresado hasta que fresa y canto de la pieza estén a la distancia deseada. Fije las barras de guía cerrando las ruedecillas (9.1).

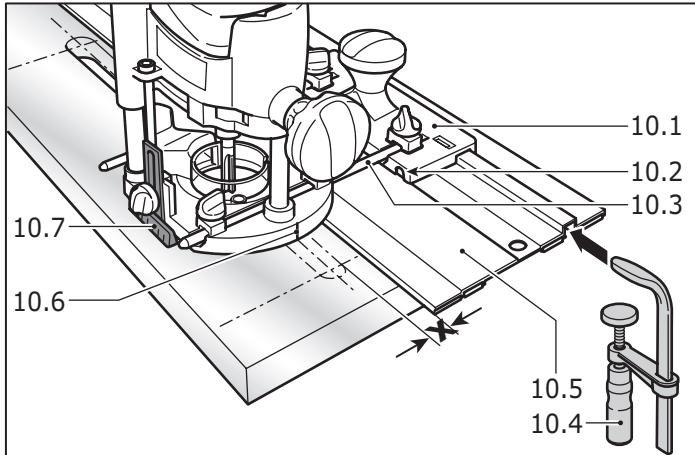
Se puede ajustar con mayor rapidez y precisión esta distancia empleando el elemento de ajuste de precisión (9.7) (accesorio).

- Gire el tornillo de ajuste (9.4) metiéndolo en la pieza de plástico del topo lateral.
- Fije las barras de guía con las ruedecillas (9.5) al elemento de ajuste de precisión.
- Abra las ruedecillas (9.3) del topo lateral, determine la distancia deseada con el tornillo de ajuste y cierre de nuevo las ruedecillas.

Fresado con ampliación de mesa TV-OF

Para ampliar la superficie de apoyo de la fresadora, mejorando consecuentemente la manera de guiarla por ej. en trabajos cerca del borde, se puede emplear la ampliación de mesa TV-OF (accesorio). La ampliación de mesa se monta del mismo modo que el tope lateral.

Fresado con sistema de guía FS

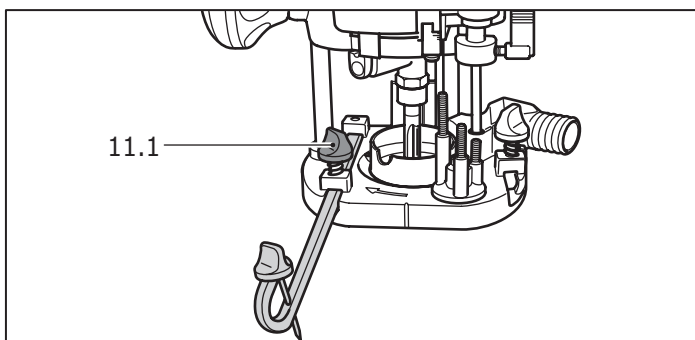


Este sistema de guía (accesorio) facilita el fresado de ranuras rectas.

- Fije el tope de guía (10.1) con garras metálicas (10.3) en la base de fresado.
- Fije la guía (10.5) con sargentos (10.4) en la pieza de trabajo. Asegúrese de que hay una distancia de seguridad X de 5 mm entre el lado delantero de la guía y la fresa o ranura.
- Ponga el tope de guía, así como se muestra en la figura 10, en la guía. Para garantizar una guía sin holgura del tope de fresado, empleando un destornillador puede ajustar dos zapatas de guía a través de los dos orificios (10.2).
- Meta el apoyo (10.7) regulable en altura en el agujero roscado de la base de la fresadora, de modo que la parte inferior de la base sea paralela a la superficie de la pieza.

Para poder trabajar con un patrón, la marca en la base de la fresadora (10.6) y la escala del apoyo (10.7) le indican el eje medio de la fresa.

Fresar con el compás de vara SZ-OF 1000



Con el compás de vara SZ-OF 1000 (accesorio) se pueden cortar piezas redondas y secciones circulares con un diámetro entre 153 y 760 mm.

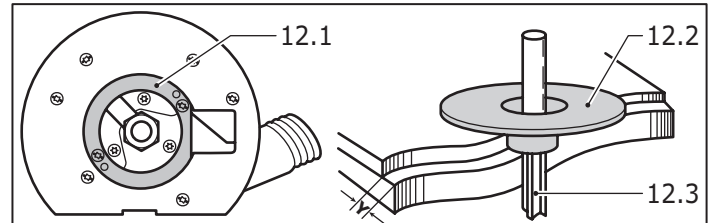
- Meta el compás de vara en la ranura delantera de la base de la fresadora hasta que se tenga el radio deseado.
- Fije el compás de vara cerrando la ruedecilla (11.1).

Consejo práctico: Si se quiere evitar que la punta del compás haga un rasguño en la pieza, se puede pegar con cinta adhesiva por las dos caras una pequeña tablita de madera en el punto medio.

Fresar copiando

Para reproducir con exactitud las piezas existentes se emplea un anillo copiador o un sistema copiador (como accesorios especiales en ambos casos).

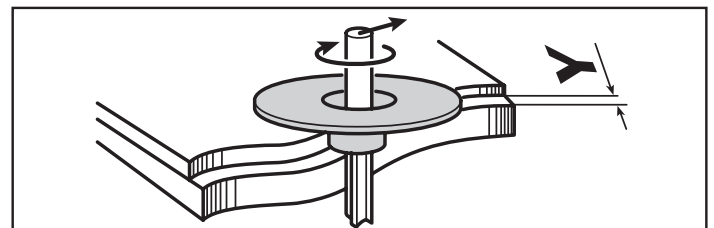
a) Anillo copiador



- Fije por debajo el anillo copiador (12.2) en vez del anillo de protección (12.1), a la base de la fresadora.

PRECAUCIÓN A la hora de elegir el tamaño del anillo copiador (12.2), asegúrese de que la fresa puesta (12.3) pasa por su abertura.

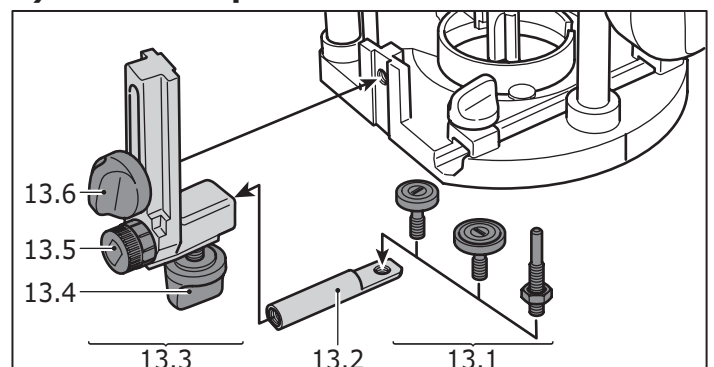
El sobrante Y de la pieza respecto al patrón se calcula del siguiente modo:



$$Y = 1/2 (\text{Ø de anillo copiador} - \text{Ø de fresa})$$

Con la espiga de centrado ZD-OF (nº de pedido 486 035) puede centrarse con exactitud el anillo copiador.

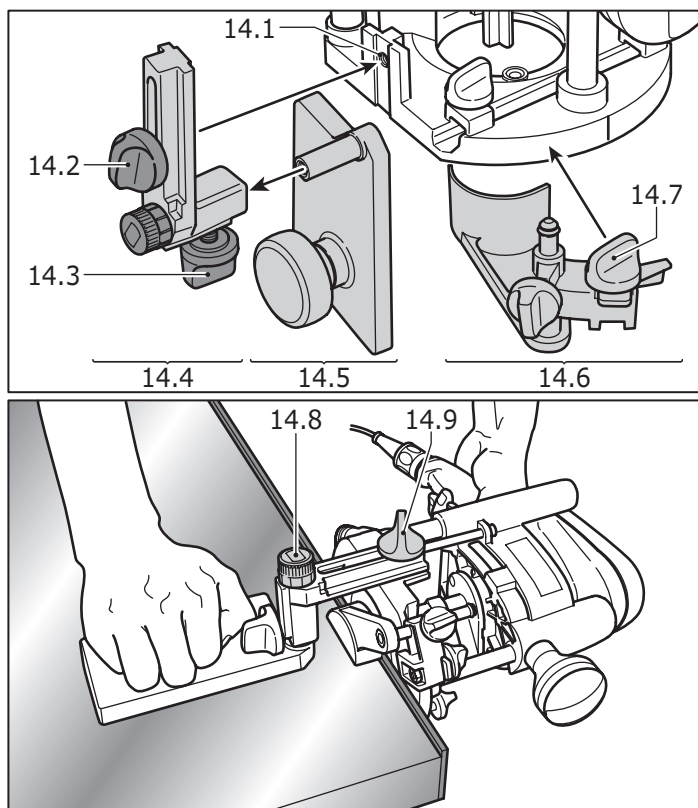
b) Sistema copiador



Para el sistema copiador se precisa el brazo angular WA-OF (13.3) y el set de copiar KT-OF, consistente en una sujeción de rodillo (13.2) y tres rodillos copiadores (13.1).

- Atornille bien el brazo angular con la ruedecilla (13.6) a la altura deseada en el agujero roscado (13.7) de la base de la fresadora.
- Monte un rodillo copiador en la sujeción de rodillo y sujételo bien al brazo angular girando la ruedecilla (13.4). Asegúrese de que el rodillo copiador y la fresa tienen el mismo diámetro.
- Girando la rueda de ajuste (13.5) se puede regular la distancia del rodillo copiador al eje de la fresa.

Fresar al ras los perfiles de encolado



El brazo angular WA-OF (14.4), combinado con la placa guía UP-OF (14.5) (accesorios), permite fresar al ras los perfiles de encolado.

- Usando la ruedecilla (14.2) atornille bien el brazo angular al agujero roscado (14.1) de la base de la mesa.
- Atornille bien la placa guía al brazo angular empleando la ruedecilla (14.3).
- Ajuste la profundidad de fresado de modo que el grosor del perfil de encolado sea +2 mm.
- Abriendo la ruedecilla (14.9), acerque la placa de guía (14.5) lo más que pueda a la fresa.
- Regule con la rueda de ajuste (14.8) la profundidad de la placa de guía de tal modo que al fresar al ras sobresalgan pocas décimas de milímetro del perfil de encolado. Después las puede lijar a mano.

El protector contra el vuelo de virutas SF-OF (14.6) (accesorio) mejora la aspiración de polvo al fresar perfiles de encolado.

Se fija por medio de la ruedecilla (14.7) en un lado de la base de la fresadora y cubre la fresa por arriba al trabajar.

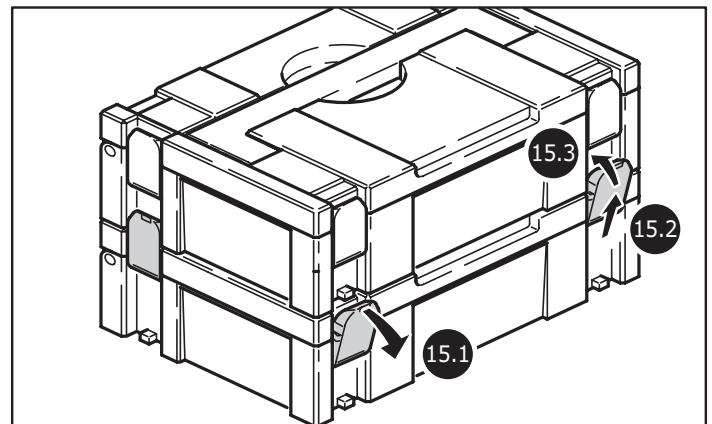
Accesorios, herramientas

ADVERTENCIA ¡Por razones de seguridad, solamente deben emplearse accesorios y herramientas originales de Festool!

Festool ofrece gran número de accesorios para sus fresadoras, por ej. para fresar conglomerado de madera, para perforar orificios en línea o para un uso estacionario de la fresadora.

Los números de pedido para los respectivos accesorios y herramientas se encuentran en su catálogo Festool o en la dirección de Internet www.festool-usa.com.

Systainer



Muchos de los productos Festool se entregan en un embalaje exclusivo denominado "Systainer" que sirve de protección a la herramienta y sus complementos, además de facilitar su almacenamiento. Los Systainer pueden apilarse y encajan unos con otros. Además se adaptan sin problema a cualquier aparato de aspiración CT de Festool.

- Coloque un Systainer sobre otro.
- Abra los cuatro enganches del Systainers de abajo tirando de sus extremos superiores (15.1).
- Deslice los cuatro enganches hacia arriba (15.2).
- Presione los cuatro enganches hasta que queden planos (15.3) y puedan así acoplarse en los soportes del Systainer colocado encima.

Mantenimiento y limpieza

ADVERTENCIA Todos los trabajos de mantenimiento y de reparación que requieran una abertura de la carcasa del motor o del mecanismo de transmisión, solamente deben ser llevados a cabo por un taller de servicio de asistencia técnica autorizado (su concesionario le facilitará la información adecuada)! Un mantenimiento o reparación de la

máquina por personas no autorizadas puede ser la causa de una conexión errónea de los cables conductores de corriente eléctrica o de otros componentes, lo cual puede ser la causa de accidentes con lesiones graves.

⚠️ ADVERTENCIA ¡A fin de evitar accidentes, antes de proceder a todo tipo de trabajos de mantenimiento o de reparación en la máquina se tiene que desenchufar el enchufe de la fuente de alimentación de corriente! ¡No emplear aire comprimido para limpiar la herramienta eléctrica! No intente nunca limpiar piezas en el interior de la máquina introduciendo algún objeto a través de las aberturas de la carcasa de la máquina.

⚠️ PRECAUCION Algunos detergentes y disolventes pueden dañar los componentes de material sintético. Entre éstos se encuentran: Bencina, carbonilcloruro, soluciones detergentes de contenido de cloro, amoníaco, así como detergentes de uso doméstico amónicos. A fin de garantizar la circulación del aire, las aberturas para el aire de refrigeración en la carcasa del motor tienen que ser mantenidas continuamente libres y limpias.

El aparato está equipado con escobillas especiales de autodesconexión. Al desgastarse, se efectúa una interrupción automática de la corriente y la máquina se para. En este caso, el aparato deberá ser llevado a un taller de servicio de asistencia técnica autorizado, donde se cambiaran las escobillas.

Garantía

Condiciones de la Garantía 1 + 2

Usted tiene derecho a una garantía extendida gratuita (1 año + 2 años = 3 años) para su herramienta mecánica Festool. Festool se hará responsable por los gastos de envío durante el primer año de garantía. Durante el segundo y tercer año de garantía el cliente es responsable por el costo del envío de la herramienta a Festool. Festool pagará el embarque de regreso al cliente usando UPS Ground Service. Todo el servicio de garantía es válido por 3 años desde la fecha de la compra de acuerdo a la fecha de su recibo o factura de compra.

Garantía limitada de Festool

Esta garantía es válida con la condición previa de que la herramienta se usa y opera de conformidad con las instrucciones de operación de Festool. Festool garantiza, sólo al comprador original, que la herramienta especificada estará libre de defectos de fabricación y materiales durante un periodo de un año a partir de la fecha de compra. Festool

no otorga otras garantías, ni explícitas ni implícitas para ninguna de las herramientas mecánicas portátiles Festool. Ningún agente, representante, distribuidor, comerciante o empleado de Festool está autorizado para extender o modificar de cualquier manera las obligaciones o limitaciones de esta garantía. Las obligaciones de Festool, a su propia entera discreción, están limitadas a la reparación o sustitución de cualquier herramienta portátil Festool que se encuentre estar defectuosa en el momento de ser embalada junto con el manual de usuario.

Quedan excluidos de la cobertura en esta garantía: el desgaste normal; los daños causados por uso indebido, el abuso o negligencia; los daños causados por cualquier otra causa que no sean defectos del material o de la fabricación. Esta garantía no aplica a accesorios como cuchillas de sierras circulares, brocas de taladro, barrenas de buriladora, cuchillas de sierra, cuchillas para sierras de calado, correas de lijadoras y ruedas de esmeril. También se excluyen las "partes que se desgastan" como cepillos de carbón, laminillas de herramientas de aire, collarines de hule y sellos, discos y cojines de lijado, y baterías.

Las herramientas mecánicas portátiles Festool que requieran de reemplazo o reparación deben devolverse con el recibo de compra a Festool (llame al 800-554-8741 para los detalles de la dirección).

EN NINGÚN CASO FESTOOL SE HARÁ RESPONSABLE POR LOS DAÑOS SECUNDARIOS O CONSECUENTES OCASIONADOS POR LA VIOLACIÓN DE ESTA O CUALQUIER OTRA GARANTÍA, SEA EXPLÍCITA O IMPLÍCITA. TODAS LAS GARANTÍAS IMPLICADAS POR LEYES ESTATALES, INCLUYENDO LAS GARANTÍAS IMPLICADAS DE COMERCIALIZACIÓN Y ADECUACIÓN A UN PROPÓSITO PARTICULAR, QUEDAN LIMITADAS A TRES AÑOS DE DURACIÓN.

Algunos estados de EE.UU. y algunas provincias de Canadá no permiten las limitaciones en cuanto a la duración de las garantías implícitas, de modo que la limitación arriba indicada puede que no le afecte. A excepción de algunas garantías implicadas por leyes estatales o provinciales, limitadas por la presente, la anteriormente citada garantía, expresamente limitada, es exclusiva y sustituye a cualquier otra garantía, acuerdo u obligación similar de Festool.

Esta garantía le concede derechos legales específicos y usted podría tener otros derechos legales que varían de estado a estado en EE.UU. y de provincia a provincia en Canadá.

Free Manuals Download Website

<http://myh66.com>

<http://usermanuals.us>

<http://www.somanuals.com>

<http://www.4manuals.cc>

<http://www.manual-lib.com>

<http://www.404manual.com>

<http://www.luxmanual.com>

<http://aubethermostatmanual.com>

Golf course search by state

<http://golfingnear.com>

Email search by domain

<http://emailbydomain.com>

Auto manuals search

<http://auto.somanuals.com>

TV manuals search

<http://tv.somanuals.com>