

Bitte B.Nr. bei Ersatzteilbestellungen angeben!
Please give B.Nr. when ordering spare pieces!

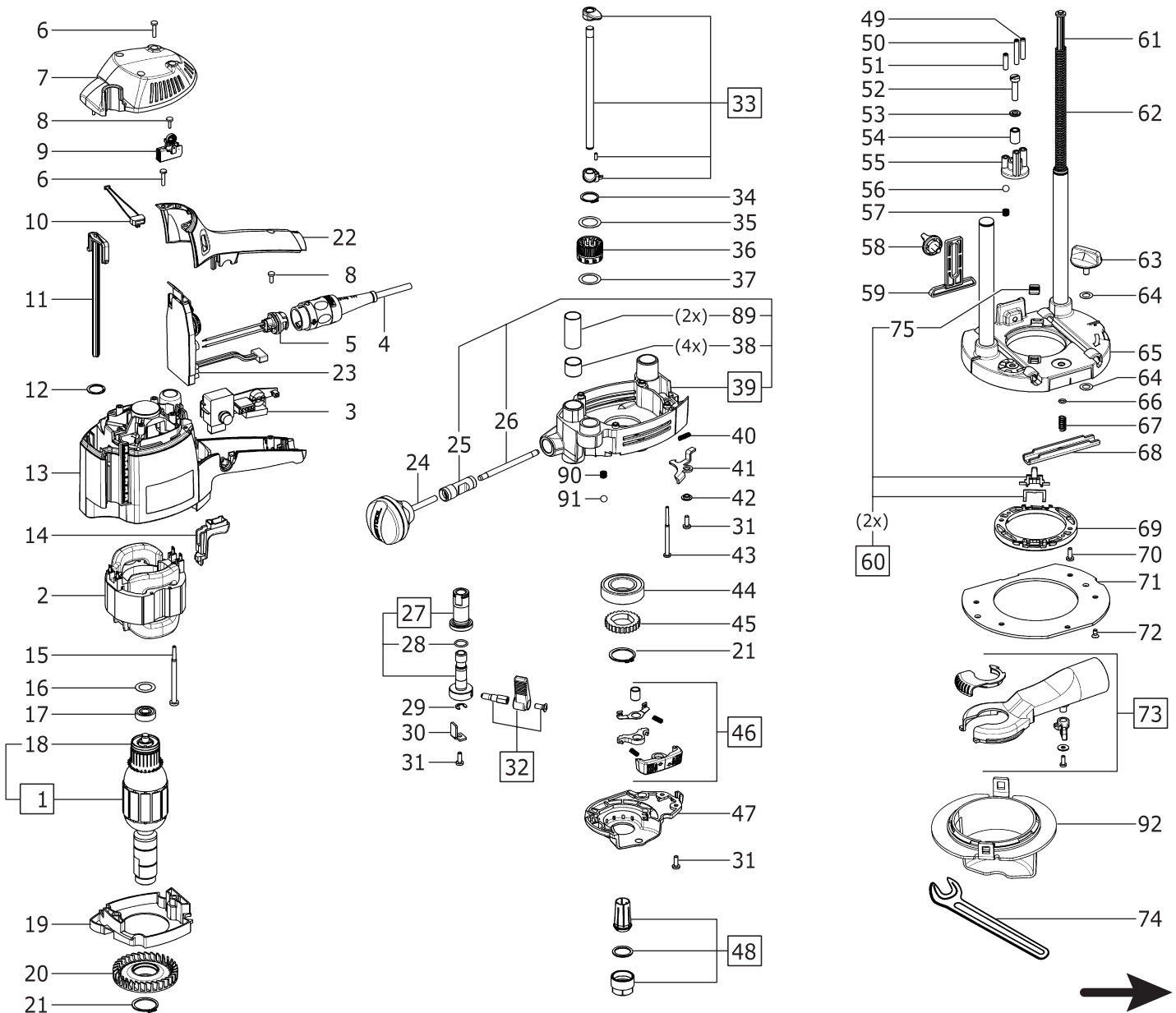


Gültig für B.Nr. / Valid for B.Nr.:

491 367 (OF 1400 EBQ, 230 V)

492 584 (OF 1400 EQ, 110 V, GB)

491 967 (OF 1400 EQ, 120 V)



Pos. Item	Best-Nr./Symbol Order/Symbols	St. Qty.	Pos. Item	Best-Nr./Symbol Order/Symbols	St. Qty.	Pos. Item	Best-Nr./Symbol Order/Symbols	St. Qty.	Pos. Item	Best-Nr./Symbol Order/Symbols	St. Qty.	Pos. Item	Best-Nr./Symbol Order/Symbols	St. Qty.	Pos. Item	Best-Nr./Symbol Order/Symbols	St. Qty.
1	491 805 (230V)	1	12	400 725	2	30	463 998	1	48	492 140 D12	1	65	492 006	1	85	400 852	4
1	492 082 (120V)	1	13	491 940	1	31	400 050	7	48	492 141 1/4"	1	66	400 648	1	86	492 311	1
2	491 806 (230V)	1	14	462 606	1	32	492 004	1	48	492 142 3/8"	1	67	444 754	1	87	445 497	1
2	492 083 (120V)	1	15	228 709	2	33	492 086	1	48	492 143 1/2"	1	68	462 635	1	88	465 333	1
3	491 520 (230V)	1	16	203 777	1	34	401 191	1	49	451 536	1	69	462 647	1	89	465 165	2
3	492 085 (120V)	1	17	401 524	1	35	462 628	1	50	451 537	1	70	228 738	2	90	444 127	1
4	489 421	1	18	491 353	1	36	462 621	1	51	451 535	1	71	462 637	1	91	200 861	1
4	490 650 (GB)	1	19	462 619	1	37	400 220	1	52	437 998	1	72	228 737	5	92	492 732	1
4	489 659 (AUS)	1	20	462 620	1	38	462 653	4	53	200 578	1	73	492 000	1			
4	490 656 (USA)	1	21	400 636	2	39	492 003	1	54	436 300	1	74	401 745	1			
5	491 751	1	22	462 602	1	40	462 615	1	55	436 520	1	75	492 635	1			
5	491 964 (GB)	1	23	491 519	1	41	462 616	1	56	783 305	1	76	492 636	1			
5	491 996 (USA)	1	23	491 998 (GB)	1	42	462 613	1	57	436 528	1	77	492 412	1			
6	400 584	7	23	491 995 (USA)	1	43	228 707	4	58	436 195	1	78	-	-			
7	462 603	1	24	491 590	1	44	400 635	1	59	438 608	1	79	228 700	1			
8	219 031	4	25	465 166	1	45	465 184	1	60	492 007	1	80	482 110	2			
9	492 002	1	26	462 608	1	46	492 001	1	61	455 791	1	81	492 409	1			
9	492 084 (USA)	1	27	491 468	1	47	462 611	1	62	465 842	2	82	465 198	1			
10	457 920	1	28	200 929	1	48	492 005 D8	1	63	462 668	1	83	463 148	2			
11	462 604	1	29	228 518	1	48	492 139 D10	1	64	400 643	2	84	761 515	4			

Free Manuals Download Website

<http://myh66.com>

<http://usermanuals.us>

<http://www.somanuals.com>

<http://www.4manuals.cc>

<http://www.manual-lib.com>

<http://www.404manual.com>

<http://www.luxmanual.com>

<http://aubethermostatmanual.com>

Golf course search by state

<http://golfingnear.com>

Email search by domain

<http://emailbydomain.com>

Auto manuals search

<http://auto.somanuals.com>

TV manuals search

<http://tv.somanuals.com>