

Instruction manual

Page 6 - 16

IMPORTANT: *Read and understand all instructions before using.*

Guide d'utilisation

Page 17 - 29

IMPORTANT: *Lire et comprendre toutes les instructions avant de démarrer les travaux.*

Manual de instrucciones

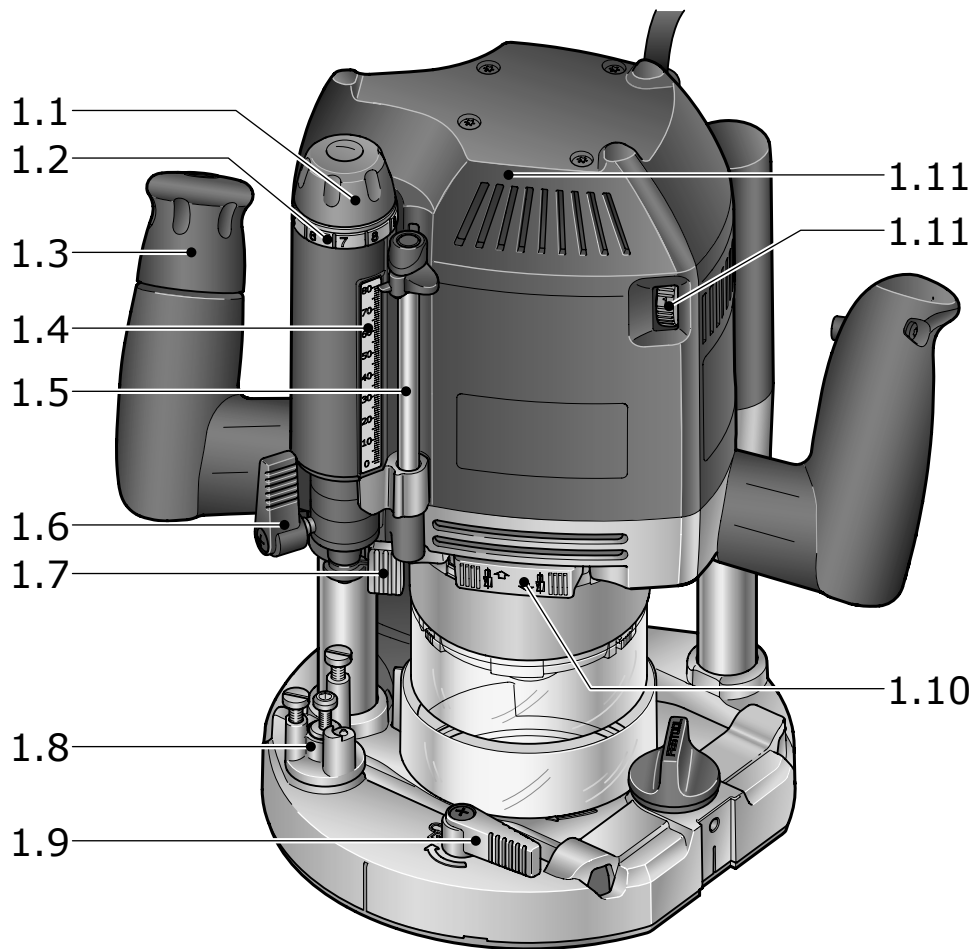
Pagina 30 - 42

IMPORTANTE: *Lea y comprende todas las instrucciones antes de usar.*

Instruction manual
Guide d'utilisation
Manual de instrucciones

OF 2200 EB





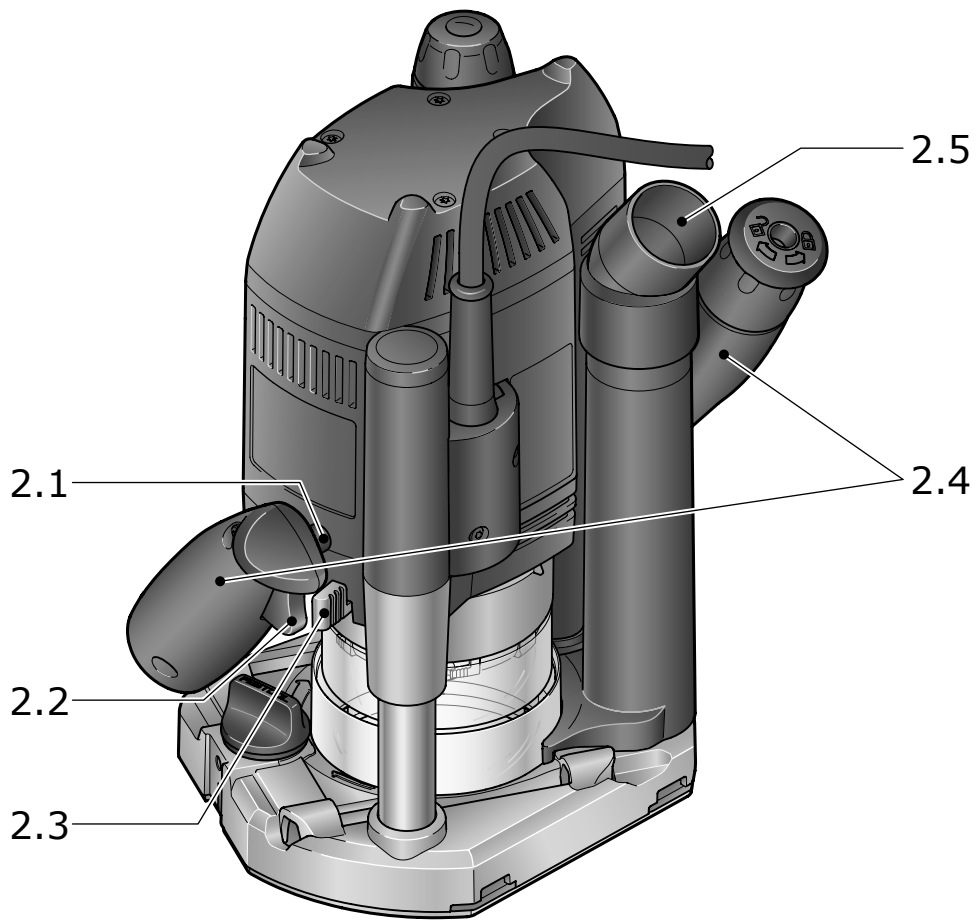


Table of contents

Safety rules	6
Technical data	8
Symbols	8
Functional description	8
Use for intended purpose	8
Electrical connection	8
Switching the machine on and off	8
Tool settings	9
Electronic control	9
Chips extraction	9
Milling cutters	10
Changing the clamping collet	11
Adjusting the milling depth	11
Preliminary/Fine routing	12
Fine adjuster for edge trimming	12
Working with the router	12
Machine guidance methods	13
Changing the base runner	14
Aluminium processing	15
Accessories, tools	15
Servicing and maintenance	15
Warranty	15

Safety rules

⚠ WARNING Read and understand all instructions. Failure to follow all instructions listed below may result in electric shock, fire and/or serious personal injury.

SAVE THESE INSTRUCTIONS

General safety rules

1) Work area safety

a) Keep work area clean and well lit. Cluttered and dark areas invite accidents.

b) Do not operate power tools in explosive atmospheres, such as in the presence of flammable liquids, gases or dust. Power tools create sparks which may ignite the dust or fumes.

c) Keep children and bystanders away while operating a power tool. Distractions can cause you to lose control.

2) Electrical safety

a) Power tool plugs must match the outlet. Never modify the plug in any way. Do not use any adapter plugs with earthed (grounded) power tools. Unmodified plugs and matching outlets will reduce risk of electric shock.

b) Avoid body contact with earthed or grounded surfaces such as pipes, radiators, ranges and refrigerators. There is an increased risk of electric shock if your body is earthed or grounded.

c) Do not expose power tools to rain or wet conditions. Water entering a power tool will increase the risk of electric shock.

d) Do not abuse the cord. Never use the cord for carrying, pulling or unplugging the power tool. Keep cord away from heat, oil, sharp edges or moving parts. Damaged or entangled cords increase the risk of electric shock.

e) When operating a power tool outdoors, use an extension cord suitable for outdoor use. Use of a cord suitable for outdoor use reduces the risk of electric shock.

f) Hold power tool by insulated gripping surfaces only, when performing an operation where the cutting accessory may contact hidden wiring or its own cord. Contact with a „live“ wire will make exposed metal parts of the power tool „live“ and shock the operator.

3) Personal safety

a) Stay alert, watch what you are doing and use common sense when operating a power tool. Do not use a power tool while you are tired or under the influence of drugs, alcohol or medication. A moment of inattention while operating power tools may result in serious personal injury.

b) Use safety equipment. Always wear eye protection. Safety equipment such as dust mask, non-skid safety shoes, hard hat, or hearing protection used for appropriate conditions will reduce personal injuries.

c) Avoid accidental starting. Ensure the switch is in the off position before plugging in. Carrying power tools with your finger on the switch or plugging in power tools that have the switch on invites accidents.

d) Remove any adjusting key or wrench before turning the power tool on. A wrench or a key left attached to a rotating part of the power tool may result in personal injury.

e) Do not overreach. Keep proper footing and balance at all times. This enables better control of the power tool in unexpected situations.

f) Dress properly. Do not wear loose clothing or jewellery. Keep your hair, clothing and gloves away from moving parts. Loose clothes, jewellery or long hair can be caught in moving parts.

g) If devices are provided for the connection of dust extraction and collection facilities, ensure these are connected and properly used. Use of these devices can reduce dust related hazards.

4) Tool use and care

a) Do not force the power tool. Use the correct power tool for your application. The correct power tool will do the job better and safer at the rate for which it was designed.

b) Do not use the power tool if the switch does not turn it on and off. Any power tool that cannot be controlled with the switch is dangerous and must be repaired.

c) Disconnect the plug from the power source before making any adjustments, changing accessories, or storing power tools. Such preventive safety measures reduce the risk of starting the power tool accidentally.

d) Store idle power tools out of the reach of children and do not allow persons unfamiliar with the power tool or these instructions to operate the power tool. Power tools are dangerous in the hands of untrained users.

e) Maintain power tools. Check for misalignment or binding of moving parts, breakage of parts and any other condition that may affect the power tools operation. If damaged, have the power tool repaired before use. Many accidents are caused by poorly maintained power tools.

f) Keep cutting tools sharp and clean. Properly maintained cutting tools with sharp cutting edges are less likely to bind and are easier to control.

g) Use the power tool, accessories and tool bits etc., in accordance with these instructions and in the manner intended for the particular type of power tool, taking into account the working conditions and the work to be performed. Use of the power tool for operations different from those intended could result in a hazardous situation.

5) Service

a) Have your power tool serviced by a qualified repair person using only identical replacement parts. This will ensure that the safety of the power tool is maintained.

Specific Safety Rules

a) Hold power tools by insulated gripping surfaces when performing an operation where the cutting tool may contact hidden wiring or its own cord. Contact with a "live" wire will make exposed metal parts of the tool "live" and shock the operator.

b) Use clamps or another suitable means to support and secure the workpiece to a stable platform. Holding the workpiece by hand or against your body is unstable and may lead to loss of control.

Health hazard by dust

⚠ WARNING Various dust created by power sanding, sawing, grinding, drilling and other construction activities contains chemicals known (to the State of California) to cause cancer, birth defects or other reproductive harm. Some examples of these chemicals are:

- Lead from lead-based paints,
- Crystalline silica from bricks and cement and other masonry products,
- Arsenic and chromium from chemically-treated lumber.

The risk from these exposures varies, depending on how often you do this type of work.





To reduce your exposure to these chemicals work in a well ventilated area and use approved safety equipment, such as dust masks that are specially designed to filter out microscopic particles.

⚠ WARNING TO REDUCE THE RISK OF INJURY, USER MUST READ AND UNDERSTAND INSTRUCTION MANUAL.

Technical data

Power	15 A
Voltage	~ 120 V, 60 Hz
No load speed	10000 - 22000 rpm
Quick height adjustment	80 mm (3.1")
Fine height adjustment	20 mm (0.8")
Router diameter, max.	89 mm (3.5")
Drive shaft connection of the spindle	M 22x1
Weight	7.8 kg (17.2 lbs)
Protection class	□ / II

Symbols

V	Volts
A	Amperes
Hz	Hertz
~	Alternating current
n_0	No load speed
□	Class II Construction
rpm	Revolutions or reciprocation per minute
∅	Diameter
	Warning of general danger
	Read the Operating Instructions/Notes!
▶	Advice or tip

Functional description

The pictures for the functional description are on a fold-out page at the beginning of the instruction manual. When reading of the manual you can fold out this page for having always an overview of the machine.

- 1.1 Adjusting wheel for fine routing depth adjustment
- 1.2 Dial ring for fine routing depth adjustment
- 1.3 Rotary knob for fixing routing depth
- 1.4 Scale for routing depth
- 1.5 Depth stop with indicator
- 1.6 Clamp lever for depth stop

- 1.7 Eccenter for connecting depth stop and stepped stop
- 1.8 Stepped stop
- 1.9 Lever for changing base runner
- 1.10 Rocker switch for spindle lock
- 1.11 Adjusting wheel for speed control
- 2.1 Locking knob for on/off switch
- 2.2 On/off switch
- 2.3 Lever for locking protective guard
- 2.4 Handles
- 2.5 Extractor connector

Use for intended purpose

The routers are designed for routing wood, plastics and similar materials. Aluminium and plasterboard can also be processed with corresponding cutters such as are listed in the Festool catalogues.

⚠ WARNING The user is liable for damages and injuries due to incorrect usage.

Electrical connection

The network voltage must conform to the voltage indicated on the rating plate. A 16 A safety fuse (for 120 V) or a corresponding protective circuit-breaker is required.

Extension cable

If an extension cable is required, it must have a sufficient cross-section so as to prevent an excessive drop in voltage or overheating. An excessive drop in voltage reduces the output and can lead to failure of the motor. The table below shows you the correct cable diameter as a function of the cable length for the router OF 2200 EB. Use only U.L. and CSA listed extension cables. Never use two extension cables together. Instead, use one long one.

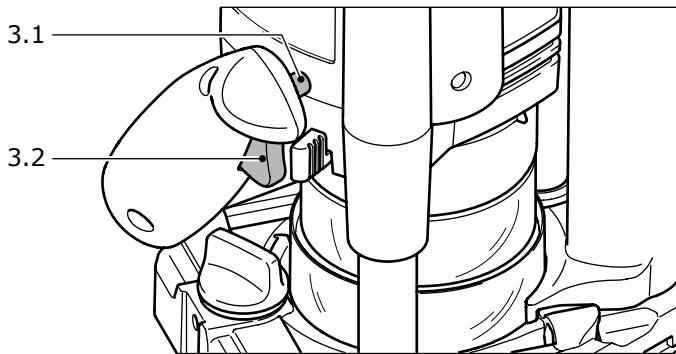
Total Extension Cord Length (feed)	25	50	100	150
Cord size (AWG)	16	14	12	10

i Note:

The lower the AWG number, the stronger the cable.

Switching the machine on and off

⚠ WARNING Keep the machine steady during switching and during use by holding the handles with both hands.



The switch [3.2] is an on/off switch. Press the side locking knob [3.1] to lock the switch for continuous operation. Press the switch again to release the knob.

⚠ WARNING After the machine has been switched off, the milling cutter will still rotate for a time. Take care that parts of your body do not come into contact with the milling cutter while it is still rotating!

Tool settings

⚠ WARNING Always disconnect the plug from the power supply before making any adjustments to the router or installing or removing any accessory!

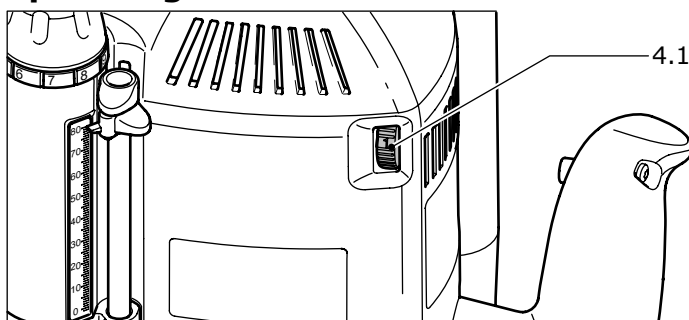
Electronic control

The router OF 2200 EB has full-wave electronics with the following functions:

Smooth start-up:

The electronically controlled smooth start-up function ensures that the machine starts up smoothly.

Speed regulation:



You can regulate the rotational speed steplessly between 10000 and 22000 rpm using

the adjusting wheel [4.1]. This enables you to optimise the cutting speed to suit the respective material and routing tool:

Material	Cutter diameter [mm]			Cutter material
	10-30	30-50	50-89	
Hard wood	6-4	5-3	3-1	HW (HSS)
Soft wood	6-5	6-4	5-3	HSS (HW)
Panels	6-5	6-4	4-2	HW
Plastic	6-4	6-3	3-1	HW
Aluminium	3-1	3-1	2-1	HSS (HW)
Plaster-board	2-1	1	1	HW

Constant speed:

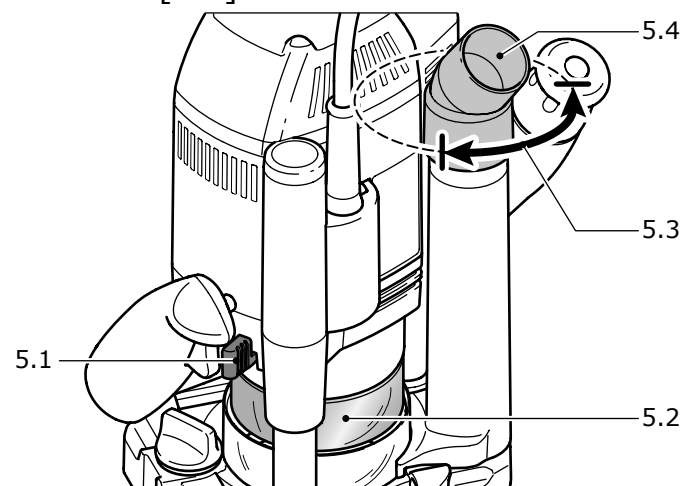
The selected motor speed is electronically maintained to a constant level. By this means a uniform cutting speed is achieved.

Brake

The OF 2200 EB has an electronic brake, which stops the spindle within a few seconds of the machine switching off.

Chips extraction

A Festool dust extractor with an extractor hose diameter of 36 mm or 27 mm (36 mm recommended due to the reduced risk of clogging) can be connected to the extractor connector [5.4].



The extractor connector [5.4] can be rotated within the range indicated [5.3]. The extractor connector on the extraction pipe will no longer be secure if rotated outside of this range.

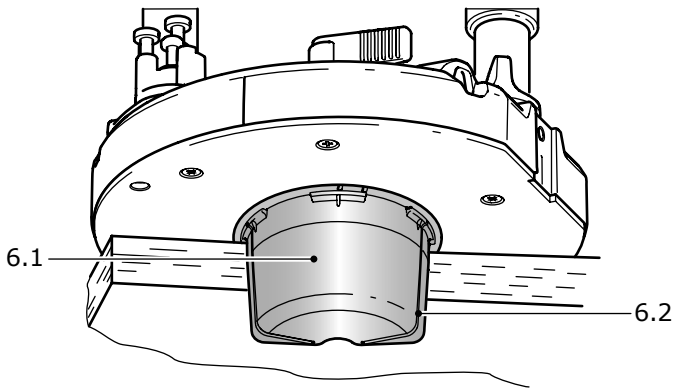
Chip guard

The chip guard [5.2] can be moved to the top position to change the router bit, for ex-

ample. Slide the chip guard upwards until it engages or push the machine down as far as possible.

We recommend lowering the chip guard before starting work to improve the efficiency of the extraction system. Push the lever [5.1] towards the handle to do this.

KSF-OF chip deflector



The chip deflector KSF-OF [6.1] indirectly increases the efficiency of the extraction system during edge routing. The maximum possible routing diameter is 78 mm.

The deflector is fitted in a similar way to the copying ring (see "Copy routing").

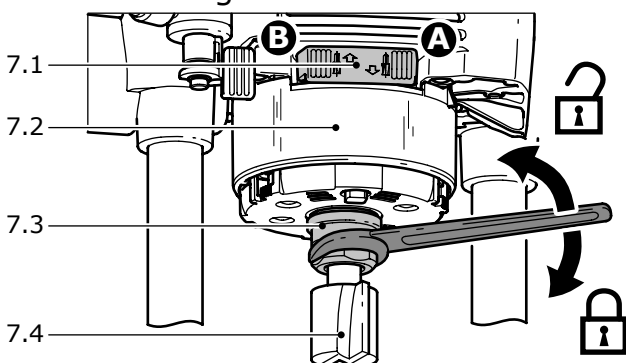
The hood can be cut off along the grooves [6.2] using a hacksaw and can thus be reduced in size. The chip deflector can then be used for interior radiuses up to a minimum radius of 52 mm.

Milling cutters

⚠ WARNING Do not exceed the maximum speed specified on the tool and/or keep to the speed range. Cracked or distorted cutters must not be used.

⚠ WARNING The routing tool may be hot after use and has sharp edges. Allow the tool to cool before changing. Wear protective gloves when changing tools.

- ▶ We recommend turning the machine on its side to change the tool.



i Note:

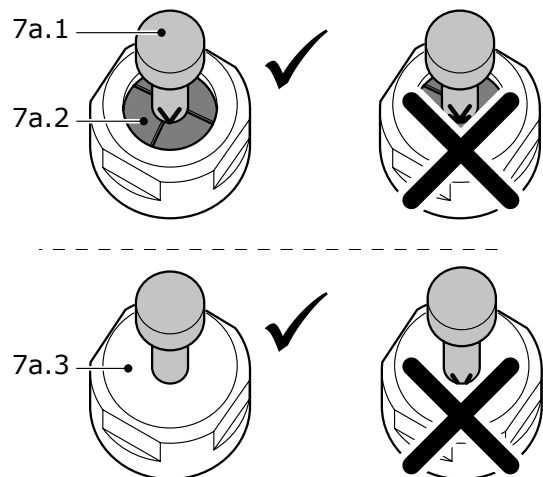
- ▶ Switch off the machine before pressing the rocker for the spindle lock [7.1]

a) Removing the tool

- Slide the chip guard [7.2] upwards until it engages, if necessary.
- Press the rocker [7.1] for the spindle lock to side A.
- Unscrew the locking nut [7.3] using an open-end wrench (size 24) until you are able to remove the tool.

b) Inserting the tool

- Insert the routing tool [7.4/7a.1] into the open clamping collet as far as possible, but at least up to the mark ∇ on the shank [7a.2]. If the collet is not visible because it is blocked by the union nut [7a.3], the milling tool must be inserted into the collet at least far enough that the marker ∇ no longer overlaps with the union nut.

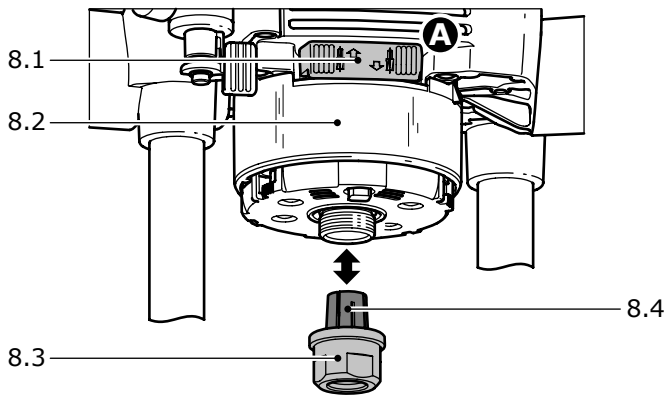


- Press the rocker [7.1] for the spindle lock to side B.
- Tighten the locking nut [7.3] using an open-end wrench (size 24).

i Note:

- ▶ The rocker only blocks the motor spindle in one direction of rotation at any one time. Therefore when the locking nut is undone or tightened, the wrench does not need to be offset but can be moved back and forth like a ratchet.

Changing the clamping collet

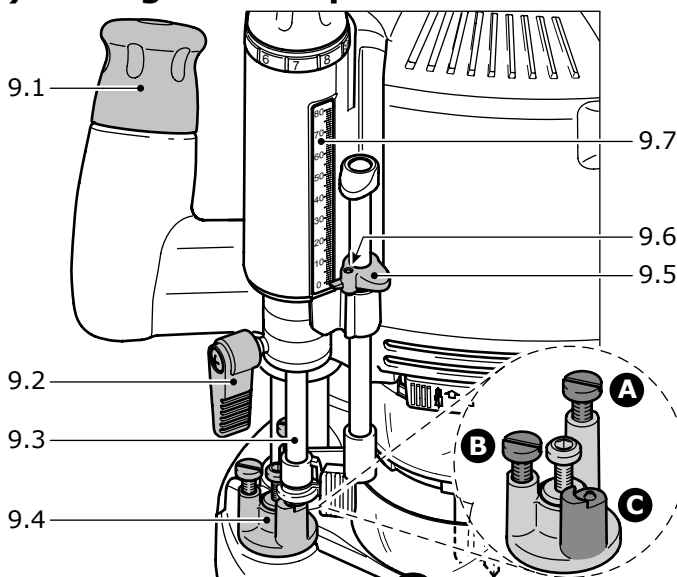


- If necessary, slide the chip guard [8.2] upwards until it engages.
- Press the rocker [8.1] for the spindle lock to side A.
- Unscrew the locking nut [8.3] completely.
- Remove the locking nut from the spindle together with the clamping collet [8.4]. Do not separate the locking nut and clamping collet as these form a single component.
- Attach a new clamping collet with locking nut to the spindle.
- Screw on the locking nut loosely. Do not tighten the locking nut until a router bit is inserted. Adjusting the milling depth

Adjusting the milling depth

The milling depth is adjusted in two steps:

a) Setting the zero point



- Place the router on an even surface (reference surface).
- Open the clamping lever [9.2].
- Unscrew the rotary knob [9.1].

- Push the machine downwards until the router bit rests on the surface (reference surface). Clamp the machine in this position by tightening the rotary knob [9.1].
- Press the depth stop [9.3] against one of the three fixed stops on the rotary stepped stop [9.4].
- Slide the indicator [9.5] down to the 0 mm mark on the scale [9.7].

i Note:

- ▶ If the base position of the indicator is incorrect, this can be adjusted by turning the screw [9.6] on the indicator.

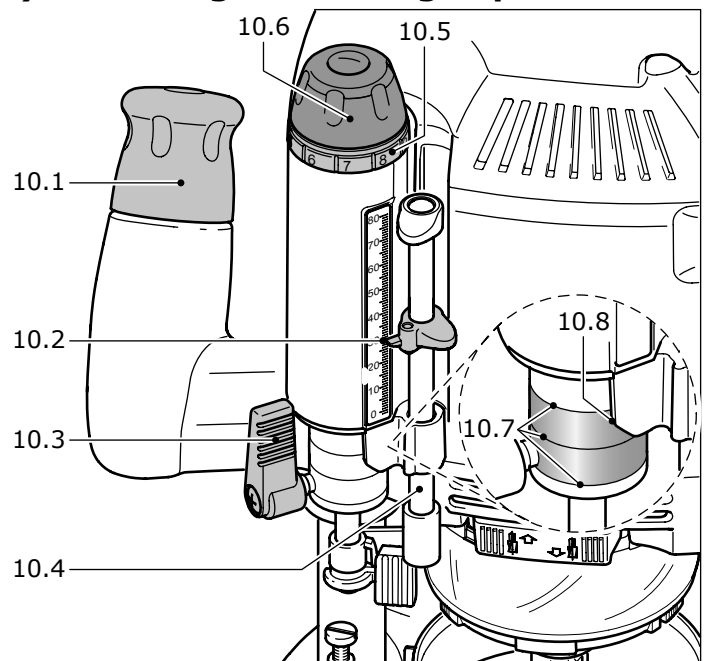
The stepped stop [9.4] has three stops, two of which can be adjusted in height using a screwdriver:

- Stop A: 18 mm - 51 mm
- Stop B: 6 mm - 18 mm
- Stop C: 0 mm

i Note:

- ▶ Stop C has an offset for preliminary routing - see "Preliminary/Fine routing".

b) Presetting the routing depth



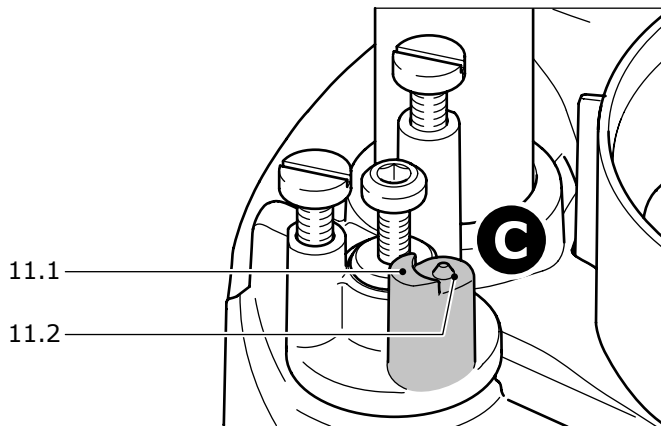
- Pull the depth stop [10.4] upwards until the indicator [10.2] reaches the required routing depth.
- Clamp the depth stop in this position using the clamp lever [10.3].
- Unscrew the rotary knob [10.1]. The machine is now in starting position.
- If necessary, you can readjust the routing depth by turning the adjusting wheel [10.6].

[10.4]. Each mark represents a routing depth of 0.1 mm. One complete turn of the wheel is 1 mm.

i Notes:

- ▶ The dial ring [10.5] can be turned separately to the "zero" setting.
- ▶ The three marks [10.7] indicate the maximum adjustment range of the adjusting wheel (20 mm) and the central position when aligned with the edge [10.8].

Preliminary/Fine routing



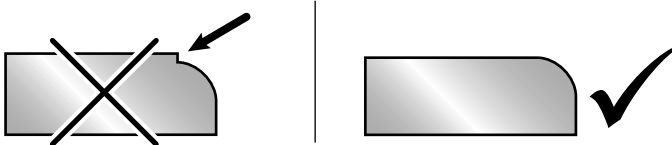
Stop C has two stop limits with a height difference of 2 mm. Routing to the depth preset with stop C can be performed in two steps:

- Lower the router to the first stop level [11.1] for the preliminary routing step;
- Lower the router to the second stop level [11.2] to complete the routing procedure.

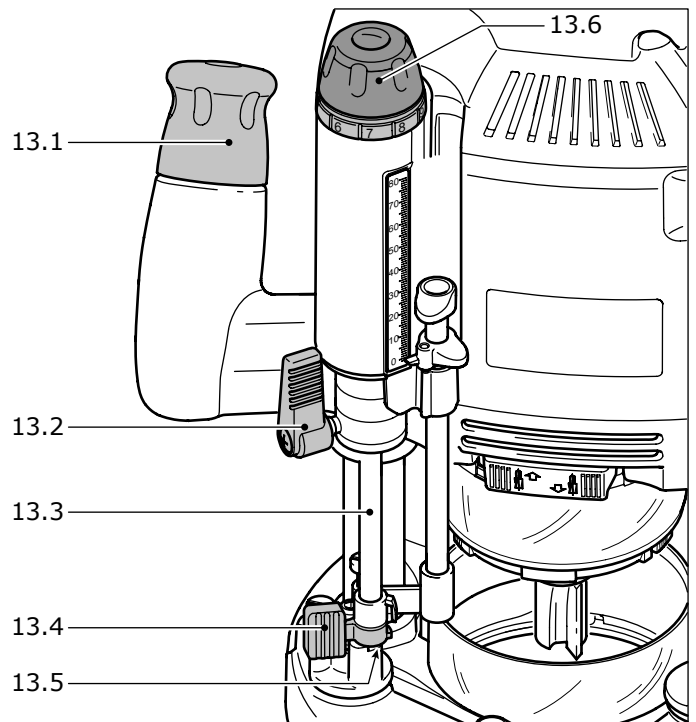
This procedure enables rapid routing to a considerable depth while still achieving a good surface quality. The final routing depth is defined by adjusting the stop level [11.2].

Fine adjuster for edge trimming

The machine has a special fine adjuster for routing tools with a bearing guide, which allows quick and easy precision adjustment prior to rounding edges and prevents offsets.



First of all, roughly preset the routing depth and perform a test run. Then adjust the routing depth more precisely:



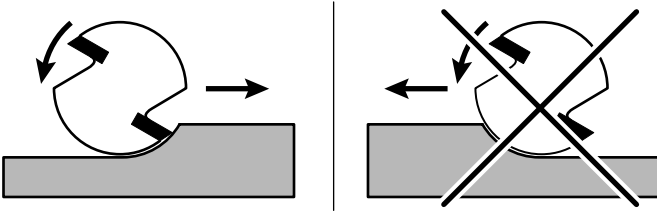
- Open the clamping lever [13.2].
- Push the depth stop [13.3] against the fixed stop C [13.5].
- Clamp the depth stop using the eccentric [13.4] on the stepped stop (turn clockwise).
- Close the clamping lever [13.2].
- Unscrew the rotary knob [13.1].
- Turn the adjusting wheel [13.6] to set the routing depth more precisely.
- ▶ The routing depth can be adjusted in both directions because the depth stop is connected to the stepped stop.
- Tighten the rotary knob [13.1].
- Open the eccentric [13.4] (turn anticlockwise).
- Perform more test runs and make the appropriate adjustments if necessary.

Working with the router

⚠ WARNING Always ensure that your workpieces are securely fixed and cannot move during routing. Otherwise, there is an increased risk of accident. Use screw clamps or some other suitable devices to fix your workpiece.

⚠ WARNING The machine must always be held with both hands by the designated handles.

⚠ WARNING Always switch the router on first before bringing the tool into contact with the workpiece!



⚠ WARNING Always advance the router in the same direction as the cutting direction of the cutter (counter-routing)!

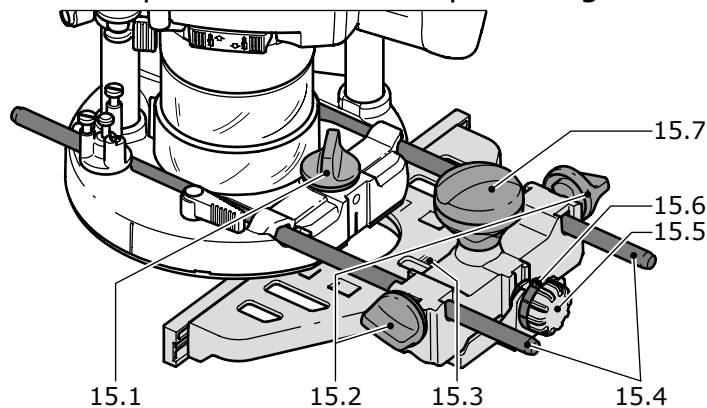
Procedure:

- Preset the required routing depth.
- Switch on the machine.
- Unscrew the rotary knob [13.1].
- Push the machine down as far as possible.
- Clamp the machine in this position by tightening the rotary knob [13.1].
- Perform the routing task.
- Unscrew the rotary knob [13.1].
- Move the machine slowly upwards to the stop.
- Switch off the machine.

Machine guidance methods

a) Routing with side stop

The side stop (partly as an accessory) is positioned parallel to the workpiece edge.



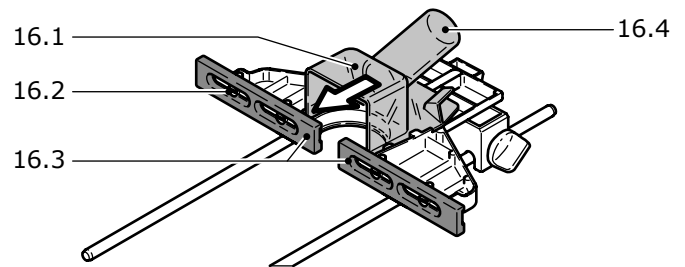
- Secure both guide rods [15.4] with the two rotary knobs [15.2] on the side stop.
- Insert the guide rods into the grooves on the router base to the required distance and secure them by turning the rotary knob [15.1].

Fine adjustment

- Unscrew the rotary knob [15.7] to make fine adjustments with the adjusting wheel [15.5]. The dial ring [15.6] has a 0.1 mm scale for this purpose. If the adjusting wheel is held secure, the dial ring can be turned separately and set to "Zero". The

millimetre scale [15.3] on the main casing is useful for making larger adjustments.

- Tighten the rotary knob [15.7] again after completing any fine adjustments.



- Adjust both guidance jaws [16.3] so that they are approx. 5 mm from the router bit. To do this, undo screws [16.2] and tighten again after completing the adjustments.
- Only when routing along an edge: slide the extractor hood [16.1] until it latches into position on the side stop and connect an extraction hose 27 mm or 36 mm in diameter to the extractor connector [16.4]. Alternatively, leave the machine to extract the dust via the extractor connector.

b) Copy routing

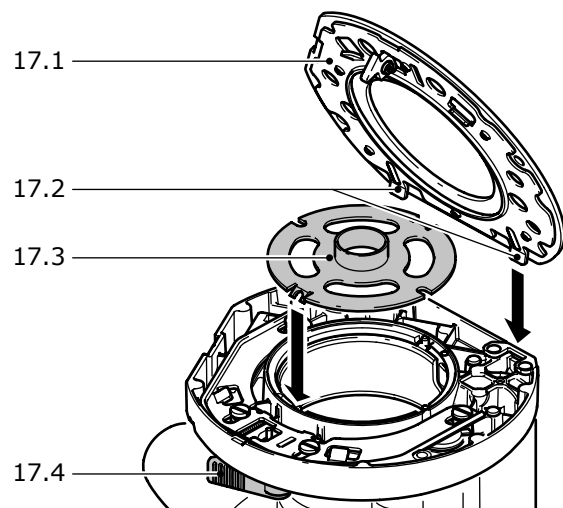
When routing with templates, fit an integrated copying ring to the router (accessory).

i Note:

- ▶ Copying rings can be used in combination with the standard base runner. A special base runner is available as an accessory to improve the contact surface.

⚠ WARNING An excessively large routing tool may damage the copying ring and cause accidents. Make sure that the routing tool used fits through the opening on the copying ring.

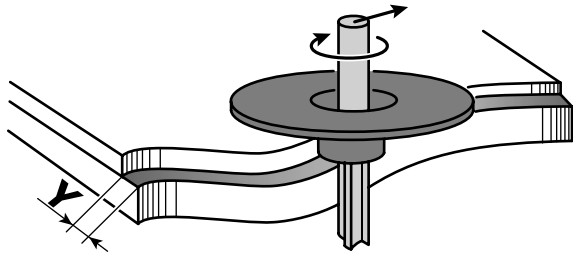
Procedure:



- Lay the machine on its side on a stable base.

- Open the lever [17.4].
- Remove the base runner [17.1].
- Release the lever [17.4] again.
- Insert a copying ring [17.3] in the correct position on the router base.
- Insert the tabs [17.2] on a base runner into the router base.
- Push down the base runner until it engages in the router base.

The overhang Y of the workpiece in relation to the template is calculated as follows:



$$Y = \frac{1}{2} (\text{diameter of copying ring minus diameter of routing bit})$$

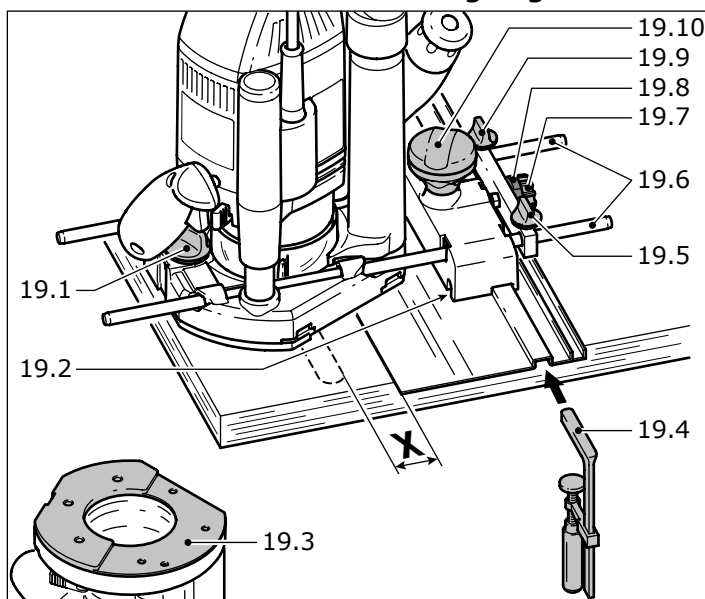
c) Edge trimming

Routing tools with a bearing guide are required when the machine is used for edge trimming. The machine is then guided in such a way that the bearing guide rolls off the workpiece.

When trimming edges, always use the chip deflector KSF-OF to improve dust extraction.

d) Routing with a guide system FS

The guide system (partly as an accessory) makes it easier to route straight grooves.



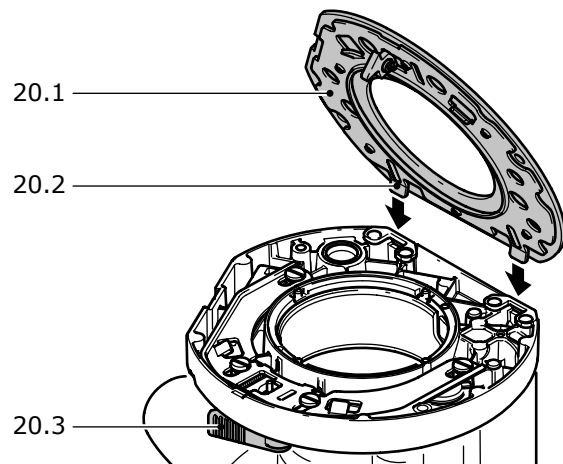
- Secure the guide rail to the workpiece using clamps [19.4].
- Insert the base runner [19.3] for the guide stop into the router base (see "Changing the base runner").

- ▶ This base runner is offset to compensate for the height of the guide rail.
- Secure both guide rods [19.6] with the rotary knobs [19.5] and [19.9] on the guide stop.
- Unscrew the rotary knob [19.1].
- Insert the guide rods [19.6] into the grooves on the router base.
- Place the router with the guide stop on the guide rail.
- If required, you can adjust the play of the guide stop on the guide rail by adjusting the two guidance jaws [19.2] with a screwdriver.
- Slide the router along the guide rods until the routing tool reaches the required distance X from the guide rail.
- Screw up the rotary knob [19.1].
- Unscrew the rotary knob [19.10].
- Turn the adjusting wheel [19.7] to adjust distance X more precisely.
- ▶ Hold the adjusting wheel [19.7] to turn the scale [19.8] independently to "zero".
- Screw up the rotary knob [19.10].

Changing the base runner

Festool offers special base runners (as an accessory) for different applications.

Change the base runner as follows:



- Lay the machine on its side on a stable base.
- Open the lever [20.3].
- Remove the base runner [20.1].
- Release the lever [20.3] again.
- Insert the tabs [20.2] on a base runner into the router base.
- Push down the base runner until it engages in the router base.

Aluminium processing

⚠️ WARNING The following precautions are to be taken when processing aluminium for safety reasons:

- Pre-connect a residual current circuit-breaker.
- Connect the machine to a suitable dust extractor.
- Clean tool regularly of dust accumulations in the motor housing.
- Wear protective goggles.

Accessories, tools

⚠️ WARNING For safety reasons, only use original Festool accessories and tools!

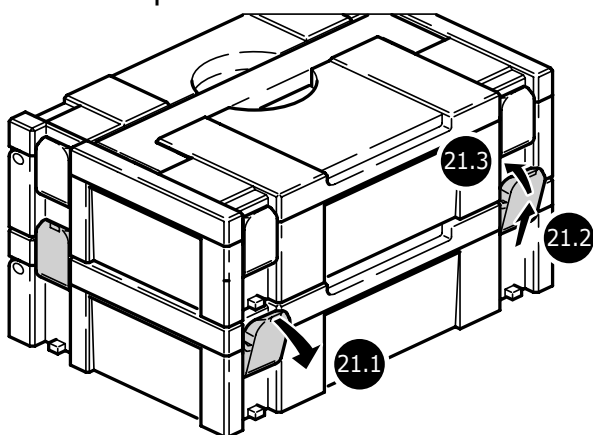
Festool offers you a comprehensive range of accessories for your router:

- Routing tools for different applications.
- Guide rails for straight routing.
- Runner bases for different applications.

The accessory and tool order number can be found in the Festool catalogue or on the Internet under www.festool-usa.com.

Systainer

Many Festool products are shipped in a unique system container, called "Systainer". This provides protection and storage for the tool and accessories. The Systainers are stackable and can be interlocked together. They also can be interlocked atop Festool CT dust extractors.



- Place one systainer on top of the other.
- Release all four latches on the lower systainer by pulling back at their top edges (21.1).
- Slide all four latches upward (21.2).

- Snap all four latches back to their flat position (21.3) so they engage the stacking tabs of the upper systainer.

Servicing and maintenance

⚠️ WARNING Any maintenance or repair work that requires opening of the motor or gear housing should only be carried out by an authorised Customer Service Centre (name supplied by your dealer)! Maintenance or repair work carried out by an unauthorised person can lead to the wrong connection of the power leads or other components, which in turn can lead to accidents with serious consequences.

⚠️ WARNING To prevent accidents, always remove the plug from the power supply socket before carrying out any maintenance or repair work on the machine! Do not use compressed air to clean the electrical tool! Do not try to clean parts inside the machine in this way, as you could let foreign objects in through the openings of the machine housing.

⚠️ CAUTION Certain cleaning agents and solvents are harmful to plastic parts. Some of these are: gasoline, carbonyl chloride, cleaning solutions containing chlorine, ammonia and household cleaners containing ammonia.

- To assure the circulation of air, the cool air vents in the motor housing must always be kept clear and clean.
- This unit is fitted with special, automatically disconnecting carbon brushes. If these become worn, the current is automatically switched off and the unit shuts down. In this case, take the unit to an authorised Customer Service Centre and have the carbon brushes changed.

Warranty

Conditions of 1+2 Warranty

You are entitled to a free extended warranty (1 year + 2 years = 3 years) for your Festool power tool. Festool shall be responsible for all shipping costs during the first year of the warranty. During the second and third year of

the warranty the customer is responsible for shipping the tool to Festool. Festool will pay for return shipping to the customer using UPS Ground Service. All warranty service is valid 3 years from the date of purchase on your receipt or invoice.

Festool Limited Warranty

This warranty is valid on the pre-condition that the tool is used and operated in compliance with the Festool operating instructions. Festool warrants, only to the original consumer purchaser, that the specified tool will be free from defects in materials and workmanship for a term of one year from the date of procurement. Festool makes no other warranty, express or implied, for Festool portable power tools. No agent, representative, distributor, dealer or employee of Festool has the authority to increase or otherwise change the obligations or limitations of this warranty. The obligations of Festool in its sole discretion under this warranty shall be limited to the repair or replacement of any Festool portable power tool that is found to be defective as packaged with the User Manual.

Excluded from coverage under this warranty are: normal wear and tear; damages caused by misuse, abuse or neglect; damage caused by anything other than defects in material and workmanship. This warranty does not apply to accessory items such as circular saw blades, drill bits, router bits, jigsaw blades, sanding

belts, and grinding wheels. Also excluded are "wearing parts", such as carbon brushes, lamellas of air tools, rubber collars and seals, sanding discs and pads, and batteries.

Festool portable power tools requiring replacement or repair are to be returned with the receipt of purchase to Festool (call 800-554-8741 for address details).

IN NO EVENT SHALL FESTOOL BE LIABLE FOR ANY CONSEQUENTIAL OR INCIDENTAL DAMAGES FOR BREACH OF THIS OR ANY OTHER WARRANTY, EXPRESSED OR IMPLIED WHATSOEVER. ALL WARRANTIES IMPLIED BY STATE LAW, INCLUDING THE IMPLIED WARRANTIES OF MERCHANTABILITY AND FITNESS FOR A PARTICULAR PURPOSE, ARE HEREBY LIMITED TO THE DURATION OF THREE YEARS.

Some states in the U.S. and some Canadian provinces do not allow the limitations on how long an implied warranty lasts, so the above limitation may not apply to you. With the exception of any warranties implied by state or province law as hereby limited, the foregoing express limited warranty is exclusive and in lieu of all other warranties, guarantees, agreements and similar obligations of Festool.

This warranty gives you specific legal rights and you may also have other rights which vary from state to state in the U.S. and province to province in Canada.

Sommaire

Règles de sécurité	17
Caractéristiques techniques	19
Symboles	19
Composants de l'outil	19
Utilisation conforme à l'emploi prévu	20
Connexion électrique	20
Mise en marche et arrêt de la machine	20
Réglages de l'outil	20
Commande électronique	21
Aspiration des copeaux	21
Fraises	22
Changement du mandrin de serrage	22
Réglage de la profondeur de fraisage	23
Fraisage préliminaire / fin	24
Dispositif de réglage fin pour fraisage de chants	24
Travail avec la fraiseuse	24
Méthodes de guidage de la machine	25
Changement du galet palpeur	27
Usinage de l'aluminium	27
Accessoires, outils	27
Entretien courant et maintenance	28
Garantie	28

Règles de sécurité

⚠️ AVERTISSEMENT Assurez-vous de lire et de bien comprendre toutes les instructions. Le non-respect, même partiel, des instructions ci-dessous peut entraîner un risque de choc électrique, d'incendie et/ou de blessures graves.

CONSERVEZ CES INSTRUCTIONS

Règles de sécurité générales

1) Sécurité de aire de travail

a) Maintenez l'endroit de travail propre et bien éclairé. Un lieu de travail en désordre ou mal éclairé augmente le risque d'accidents.

b) N'utilisez pas l'appareil dans un environnement présentant des risques d'explosion et où se trouvent des liquides, des gaz ou poussières inflammables. Les outils électroportatifs génèrent des étincelles

risquant d'enflammer les poussières ou les vapeurs.

c) Tenez les enfants et autres personnes éloignés durant l'utilisation de l'outil électroportatif. En cas d'inattention vous risquez de perdre le contrôle sur l'appareil.

2) Sécurité électrique

a) La fiche de secteur de l'outil électroportatif doit être appropriée à la prise de courant. Ne modifiez en aucun cas la fiche. N'utilisez pas de fiches d'adaptateur avec des appareils avec mise à la terre. Les fiches non modifiées et les prises de courant appropriées réduisent le risque de choc électrique.

b) Evitez le contact physique avec des surfaces mises à la terre tels que tuyaux, radiateurs, fours et réfrigérateurs. Il y a un risque élevé de choc électrique au cas où votre corps serait relié à la terre.

c) N'exposez pas l'outil électroportatif à la pluie ou à l'humidité. La pénétration d'eau dans un outil électroportatif augmente le risque d'un choc électrique.

d) N'utilisez pas le câble à d'autres fins que celles prévues, n'utilisez pas le câble pour porter l'appareil ou pour l'accrocher ou encore pour le débrancher de la prise de courant. Maintenez le câble éloigné des sources de chaleur, des parties grasses, des bords tranchants ou des parties de l'appareil en rotation. Un câble endommagé ou torsadé augmente le risque d'un choc électrique.

e) Au cas où vous utiliseriez l'outil électroportatif à l'extérieur, utilisez une rallonge autorisée homologuée pour les applications extérieures. L'utilisation d'une rallonge électrique homologuée pour les applications extérieures réduit le risque d'un choc électrique.

f) Ne tenez l'outil qu'à l'aide des poignées isolées, lorsque vous êtes susceptibles de toucher des lignes électriques cachées ou votre propre câble électrique, lorsque vous travaillez avec des outils de tronçonnage. Si des outils de tronçonnage touchent des lignes électriques, des pièces métalliques de l'outil peuvent être mises sous tension et asséner une décharge électrique à l'utilisateur.

3) Sécurité des personnes

a) Restez vigilant, surveillez ce que vous faites. Faites preuve de bon en utilisant l'outil électroportatif. N'utilisez pas l'appareil lorsque vous êtes fatigué ou après avoir consommé de l'alcool, des drogues ou avoir pris des médicaments. Un moment d'inattention lors de l'utilisation de l'appareil peut entraîner de graves blessures sur les personnes.

b) Portez des équipements de protection. Portez toujours des lunettes de protection. Le fait de porter des équipements de protection personnels tels que masque anti-poussières, chaussures de sécurité antidérapantes, casque de protection ou protection acoustique suivant le travail à effectuer, réduit le risque de blessures.

c) Evitez une mise en service par mégarde. Assurez-vous que l'interrupteur est effectivement en position d'arrêt avant de retirer la fiche de la prise de courant. Le fait de porter l'appareil avec le doigt sur l'interrupteur ou de brancher l'appareil sur la source de courant lorsque l'interrupteur est en position de fonctionnement, peut entraîner des accidents.

d) Enlevez tout outil de réglage ou toute clé avant de mettre l'appareil en fonctionnement. Une clé ou un outil se trouvant sur une partie en rotation peut causer des blessures.

e) Ne surestimez pas vos capacités. Veillez à garder toujours une position stable et équilibrée. Ceci vous permet de mieux contrôler l'appareil dans des situations inattendues.

f) Portez des vêtements appropriés. Ne portez pas de vêtements amples ni de bijoux. Maintenez cheveux, vêtements et gants éloignés des parties de l'appareil en rotation. Des vêtements amples, des bijoux ou des cheveux longs peuvent être happés par des pièces en mouvement.

g) Si des dispositifs servant à aspirer ou à recueillir les poussières doivent être utilisés, vérifiez que ceux-ci soient effectivement raccordés et qu'ils sont correctement utilisés. L'utilisation de tels dispositifs réduit les dangers dus aux poussières.

4) Utilisation et entretien des outils

a) Ne surchargez pas l'appareil. Utilisez l'outil électroportatif approprié au travail à effectuer. Avec l'outil électroportatif approprié, vous travaillerez mieux et avec plus de sécurité à la vitesse pour laquelle il est prévu.

b) N'utilisez pas un outil électroportatif dont l'interrupteur est défectueux. Un outil électroportatif qui ne peut plus être mis en ou hors fonctionnement est dangereux et doit être réparé.

c) Retirez la fiche de la prise de courant avant d'effectuer des réglages sur l'appareil, de changer les accessoires, ou de ranger l'appareil. Cette mesure de précaution empêche une mise en fonctionnement par mégarde.

d) Gardez les outils électroportatifs non utilisés hors de portée des enfants. Ne permettez pas l'utilisation de l'appareil à des personnes qui ne se sont pas familiarisées avec celui-ci ou qui n'ont pas lu ces instructions. Les outils électroportatifs sont dangereux lorsqu'ils sont utilisés par des personnes non initiées.

e) Prenez soin des outils électroportatifs. Vérifiez que les parties en mouvement fonctionnent correctement et qu'elles ne soient pas coincées, et contrôlez si des parties sont cassées ou endommagées de telle sorte que le bon fonctionnement de l'appareil s'en trouve entravé. Faites réparer les parties endommagées avant d'utiliser l'appareil. De nombreux accidents sont dus à des outils électroportatifs mal entretenus.

f) Maintenez les outils de coupe aiguisés et propres. Des outils soigneusement entretenus avec des bords tranchants bien aiguisés se coincent moins souvent et peuvent être guidés plus facilement.

g) Utilisez les outils électroportatifs, les accessoires, les outils à monter etc. conformément à ces instructions et aux prescriptions en vigueur pour ce type d'appareil. Tenez compte également des conditions de travail et du travail à effectuer. L'utilisation des outils électroportatifs à d'autres fins que celles prévues peut entraîner des situations dangereuses.

5) Entretien et réparation

a) **Ne faites réparer votre outil électroportatif que par un personnel qualifié et seulement avec des pièces de rechange d'origine.** Ceci permet d'assurer la sécurité de l'appareil.

Règle de sécurité particulière supplémentaire

a) **Tenez l'outil par ses surfaces de prise isolées pendant toute opération où l'outil de coupe pourrait venir en contact avec un câblage dissimulé ou avec son propre cordon.** En cas de contact avec un conducteur sous tension, les pièces métalliques à découvert de l'outil transmettraient un choc électrique à l'utilisateur.

b) **Immobilisez l'outil sur une surface stable au moyen de brides ou de toute autre façon adéquate.** Le fait de tenir la pièce avec la main ou contre votre corps offre une stabilité insuffisante et peut amener un dérapage de l'outil.

La poussière, un risque pour la santé

⚠️ AVERTISSEMENT Certaines poussières créées par le ponçage mécanique, le sciage, le meulage, le perçage et autres activités reliées à la construction contiennent des substances chimiques connues (dans l'État de la Californie) comme pouvant causer le cancer, des anomalies congénitales ou représenter d'autres dangers pour la reproduction. Voici quelques exemples de telles substances:

- plomb provenant de peintures à base de plomb,
- silice cristallisée utilisée dans les briques, le ciment et autres matériaux de maçonnerie, et
- arsenic et chrome du bois d'œuvre traité avec un produit chimique.

Le risque d'exposition à de tels produits varie selon la fréquence à laquelle vous faites ce genre de travail.



Pour réduire les risques d'exposition à ces substances chimiques : travaillez dans un endroit adéquatement ventilé et utilisez un équipement de sécurité approuvé, tel que masques antipous-



sières spécialement conçus pour filtrer les particules microscopiques.

⚠️ AVERTISSEMENT POUR RÉDUIRE LE RISQUE DE DOMMAGES, L'UTILISATEUR DOIT LIRE ET COMPRENDRE LE MANUEL D'INSTRUCTION.

Caractéristiques techniques

Intensité nominale	15 A
Tension	~ 120 V, 60 Hz
Vitesse à vide	10 000 - 22 000 tr/mn
Réglage rapide de la hauteur	80 mm (3,1")
Réglage fin de la hauteur	20 mm (0,8")
Diamètre de fraise, max.	89 mm (3,5")
Connexion de l'arbre d'entraînement de la broche	M 22x1
Poids	7,8 kg (17,2 lbs)
Classe de protection	□ / II

Symboles

V	Volts
A	Ampères
Hz	Hertz
~	Courant alternatif
n_0	Vitesse à vide
□	Construction de classe II
tr/mn	Nombre de tours par minute
∅	diamètre
	Avertissement de danger général
	Lire les instructions / les remarques !
▶	Information, astuce

Composants de l'outil

Des schémas de l'outil sont disponibles sur le volet qui se trouve au début de cette notice d'utilisation. Vous pouvez ainsi déplier cette page et visualiser en permanence les différentes parties de l'outil lorsque vous lisez la notice.

- 1.1 Molette de réglage fin de la profondeur de fraisage
- 1.2 Bague cadran de réglage fin de la profondeur de fraisage

- 1.3 Bouton tournant pour la fixation de la profondeur de fraisage
- 1.4 Echelle pour la profondeur de fraisage
- 1.5 Butée de profondeur avec indicateur
- 1.6 Levier de blocage pour butée de profondeur
- 1.7 Excentrique pour couplage butée de profondeur et butée conique
- 1.8 Butée conique
- 1.9 Levier pour changement du galet palpeur
- 1.10 Interrupteur à bascule pour verrouillage de la broche
- 1.11 Molette de réglage de la vitesse
- 2.1 Bouton de verrouillage pour l'interrupteur de marche/arrêt
- 2.2 Interrupteur de marche/arrêt
- 2.3 Levier de verrouillage du couvercle de protection
- 2.4 Poignées
- 2.5 Raccord d'aspiration

Utilisation conforme à l'emploi prévu

Les fraiseuses sont conçues pour le fraisage de bois, de plastiques ou de matières similaires. L'aluminium et le carton-plâtre peuvent également être travaillés avec les outils adéquats tels que ceux figurant dans les catalogues Festool.

⚠ AVERTISSEMENT L'utilisateur est responsable des dommages et blessures occasionnés par un usage incorrect.

Connexion électrique

La tension du secteur doit être conforme à la tension indiquée sur la plaque signalétique. Un fusible de sécurité de 16 A (pour 120 V) ou un coupe circuit de protection adéquat est nécessaire.

Rallonge électrique

Si une rallonge électrique est nécessaire, elle doit présenter une section suffisante afin d'éviter une chute de tension excessive ou une surchauffe. Une chute de tension excessive réduit la puissance et peut entraîner

la destruction du moteur. Le tableau ci-dessous vous présente la section correcte de la rallonge en fonction de sa longueur pour la fraiseuse OF 2200 EB. Utilisez exclusivement des rallonges recommandées par U.L. et CSA. N'utilisez jamais deux rallonges raccordées l'une à l'autre, mais remplacez-les par une rallonge plus longue.

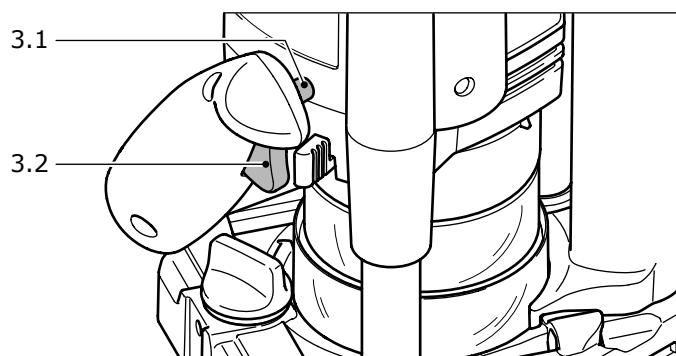
Longueur totale de la rallonge (pieds)	25	50	100	150
Section de la rallonge (AWG)	16	14	12	10

i **Remarque :**

Plus le calibre AWG est bas, plus le câble est résistant.

Mise en marche et arrêt de la machine

⚠ AVERTISSEMENT Tenez la machine fermement durant la commutation et pendant l'utilisation en tenant les poignées des deux mains.



L'interrupteur [3.2] est un interrupteur de marche/arrêt. Pressez le bouton de verrouillage latéral [3.1] afin de verrouiller l'interrupteur pour un fonctionnement continu. Pressez une nouvelle fois l'interrupteur pour relâcher le bouton.

⚠ AVERTISSEMENT Après que la machine ait été arrêtée, la fraise continue de tourner pendant un certain temps. Faites attention que des parties de votre corps n'entrent pas en contact avec la fraise pendant qu'elle continue de tourner !

Réglages de l'outil

⚠ AVERTISSEMENT Débranchez toujours la fiche mâle de l'alimentation électrique avant d'effectuer des réglages sur la frai-

seuse, ou avant d'installer ou de retirer tout accessoire!

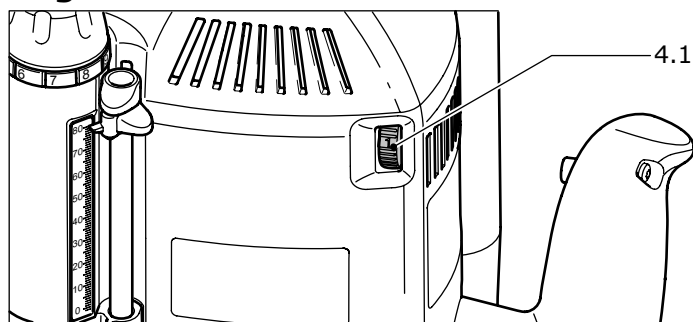
Commande électronique

La fraiseuse OF 2200 EB est dotée d'un système électronique à onde pleine avec les fonctions suivantes :

Démarrage progressif :

La fonction de démarrage progressif à commande électronique garantit que la machine démarre facilement.

Régulation de vitesse :



La vitesse de rotation se règle en continu entre 10 000 et 22 000 tr/mn au moyen de la molette de réglage [4.1].

Ceci vous permet d'optimiser la vitesse d'usinage afin de l'adapter à chaque matière et à chaque outil de fraisage :

Matière	Diamètre de fraise [mm]			Matériau fraise
	10-30	30-50	50-89	
Bois dur	6-4	5-3	3-1	HW (HSS)
Bois tendre	6-5	6-4	5-3	HSS (HW)
Panneaux	6-5	6-4	4-2	HW
Plastique	6-4	6-3	3-1	HW
Aluminium	3-1	3-1	2-1	HSS (HW)
Carton-plâtre	2-1	1	1	HW

Vitesse constante :

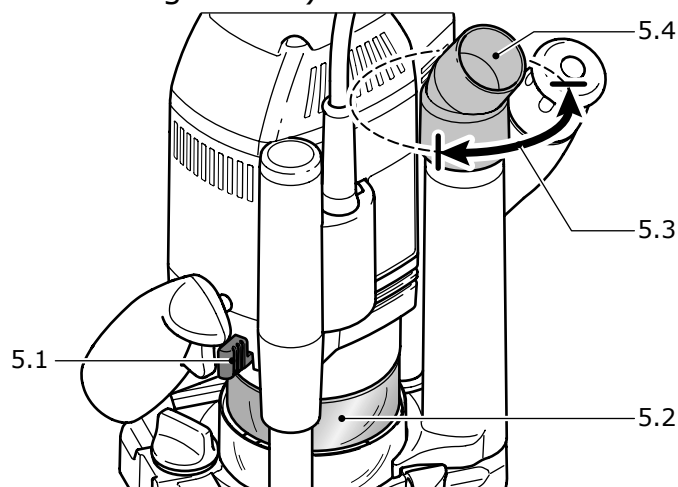
La vitesse de moteur sélectionnée est maintenue de façon électronique à un niveau constant. Ceci permet d'obtenir une vitesse d'usinage constante.

Frein

L'OF 2200 EB est dotée d'un frein électronique, qui arrête la broche en l'espace de quelques secondes en cas d'arrêt de la machine.

Aspiration des copeaux

Le raccord d'aspiration [5.4] permet de brancher un aspirateur Festool possédant un tuyau de diamètre 36 mm ou 27 mm (le diamètre 36 mm est recommandé en raison du risque de colmatage réduit).



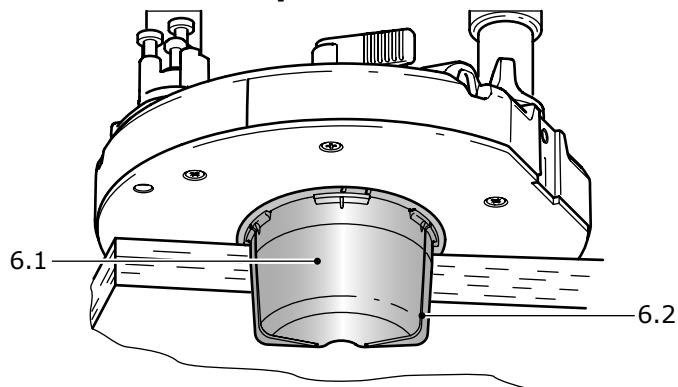
Le raccord d'aspiration [5.4] peut être tourné selon la plage indiquée [5.3]. Le raccorder d'aspiration se trouvant sur le conduit d'aspiration n'est plus sûr s'il est tourné au-delà de cette plage.

Pare-copeaux

Le pare-copeaux [5.2] peut être déplacé en position supérieure afin de changer la fraise, par exemple. Faites coulisser le pare-copeaux vers le haut, jusqu'à ce qu'il s'engage, ou poussez la machine aussi loin que possible vers le bas.

Nous recommandons d'abaisser le pare-copeaux avant de démarrer le travail afin d'améliorer l'efficacité du système d'aspiration. A cette fin, poussez le levier [5.1] vers la poignée.

Déflecteur de copeaux KSF-OF



Le déflecteur de copeaux KSF-OF [6.1] améliore indirectement l'efficacité du système d'aspiration pendant le fraisage de chants.

Le diamètre de fraisage maximal possible est de 78 mm.

Le déflecteur est monté de la même manière que la bague de copie (voir "Fraisage par copie").

Le chapeau peut être coupé le long des rainures [6.2] à l'aide d'une scie à métaux ; sa taille peut ainsi être réduite. Le déflecteur de copeaux peut alors être utilisé pour les rayons intérieurs de jusqu'à un rayon minimum de 52 mm.

Fraises

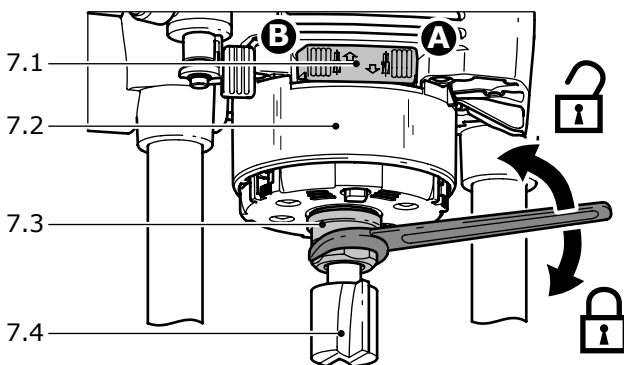
⚠ AVERTISSEMENT Ne dépassez pas la vitesse maximale spécifiée sur l'outil et/ou respectez la plage de vitesses. Les fraises cassées ou déformées ne doivent pas être utilisées.

⚠ AVERTISSEMENT L'outil de fraisage peut être chaud après utilisation et présente des arêtes vives. Laissez l'outil se refroidir avant de le changer. Portez des gants de protection lors du changement d'outils.

- Nous recommandons de basculer la machine sur le côté pour changer l'outil.

i Remarque :

- Pressez la bascule pour le blocage de la broche [7.1] uniquement lorsque la machine est arrêtée.



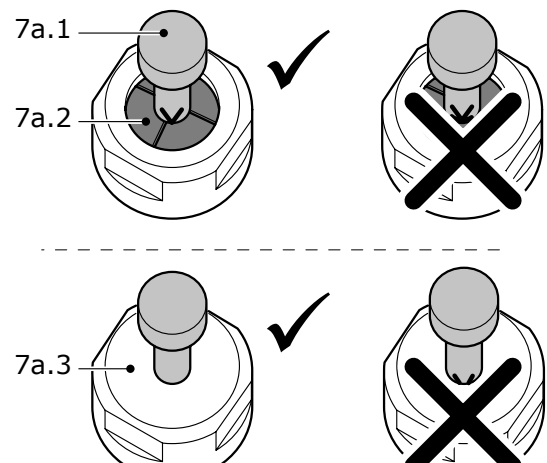
a) Retrait de l'outil

- Si nécessaire, faites coulisser le pare-copeaux [7.2] vers le haut, jusqu'à ce qu'il s'engage.
- Pressez la bascule [7.1] pour le verrouillage de la broche vers le côté A.
- Dévissez l'écrou de verrouillage [7.3] à l'aide de la clé à fourche de 24, jusqu'à ce que vous puissiez retirer l'outil.

b) Insertion de l'outil

- Insérez l'outil de fraisage [7.4/7a.1] aussi loin que possible dans le mandrin de serrage ouvert [7a.2], cependant au minimum

jusqu'à la marque ∇ sur la tige. Si la pince de serrage n'est pas visible en raison de l'écrou-raccord (7a.3), la fraise doit être insérée dans la pince de serrage au moins jusqu'à ce que le repère ∇ ne se trouve plus au-dessus de l'écrou-raccord.

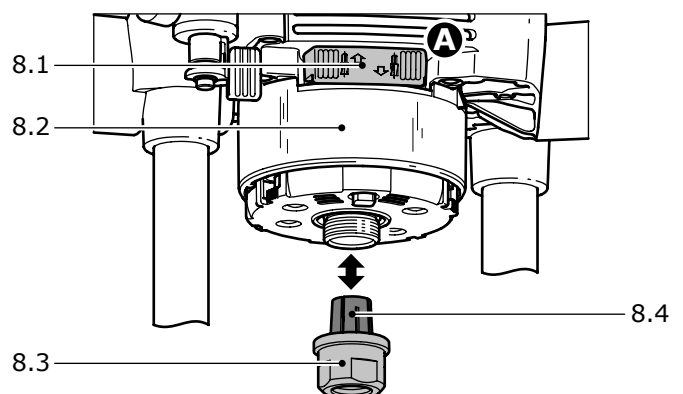


- Pressez la bascule [7.1] pour le verrouillage de la broche vers le côté B.
- Serrez l'écrou de verrouillage [7.3] à l'aide d'une clé à fourche de 24.

i Remarque :

- La bascule bloque la broche du moteur uniquement dans un sens de rotation en un instant donné. Par conséquent, lorsque l'écrou de verrouillage est enlevé ou serré, la clé n'a pas besoin d'être décalée, mais peut être déplacée d'avant en arrière à la manière d'un cliquet.

Changement du mandrin de serrage



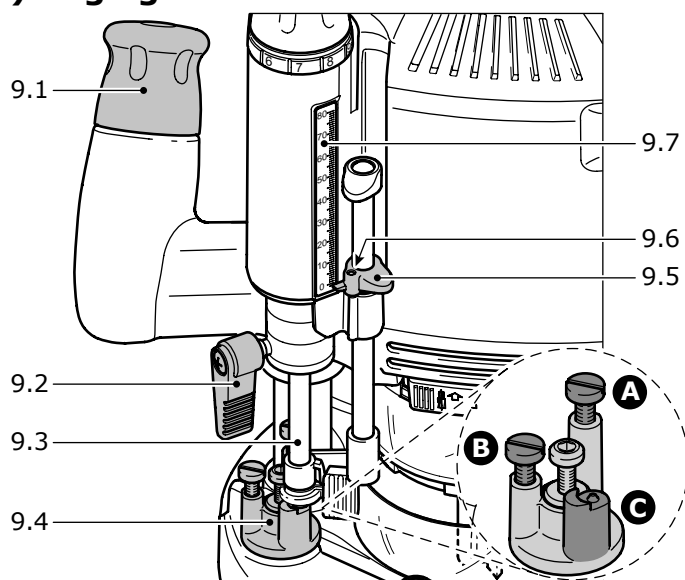
- Si nécessaire, faites coulisser le pare-copeaux [8.2] vers le haut, jusqu'à ce qu'il s'engage.
- Pressez la bascule [8.1] pour le verrouillage de la broche vers le côté A.
- Dévissez complètement l'écrou de verrouillage [8.3].

- Retirez l'écrou de verrouillage de la broche, conjointement avec le mandrin de serrage [8.4]. Ne séparez pas l'écrou de verrouillage et le mandrin de serrage, ceux-ci formant un unique composant.
- Montez un nouveau mandrin de serrage avec écrou de verrouillage sur la broche.
- Vissez l'écrou de verrouillage, sans le serrer. Ne serrez pas l'écrou de verrouillage avant qu'une fraise ne soit insérée.

Réglage de la profondeur de fraisage

La profondeur de fraisage se règle en deux étapes :

a) Réglage du zéro



- Placez la fraiseuse sur une surface plane (surface de référence).
- Ouvrez le levier de serrage [9.2].
- Dévissez le bouton tournant [9.1].
- Poussez la machine vers le bas, jusqu'à ce que la fraise repose sur la surface (surface de référence). Serrez la machine dans cette position en serrant le bouton tournant [9.1].
- Pressez la butée de profondeur [9.3] contre l'une des trois butées fixes sur la butée conique tournante [9.4].
- Faites glisser l'indicateur [9.5] vers le bas, sur la marque 0 mm de l'échelle [9.7].

i Remarque :

- Si la position de base de l'indicateur est incorrecte, ceci peut être ajusté en tournant la vis [9.6] sur l'indicateur.

La butée conique [9.4] comporte trois butées, deux d'entre elles pouvant être ajustées en hauteur à l'aide d'un tournevis :

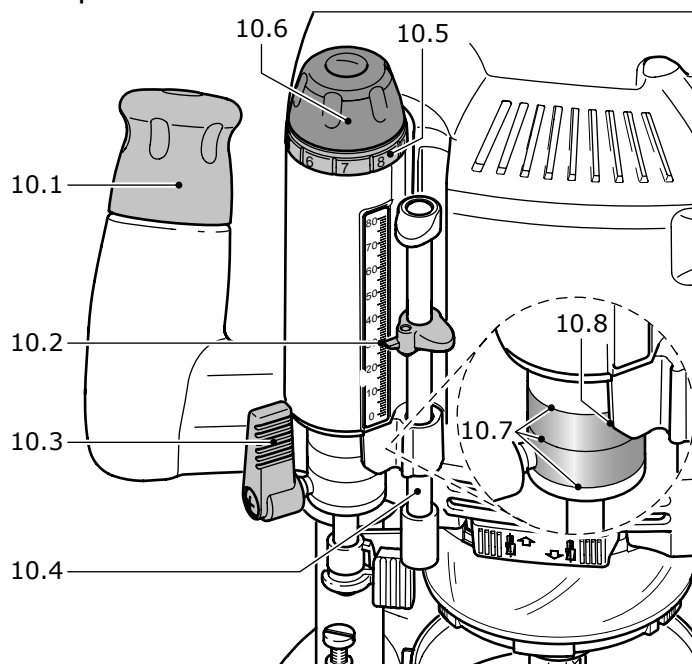
- Butée A : 18 mm - 51 mm
- Butée B : 6 mm - 18 mm
- Butée C : 0 mm

i Remarque :

- La butée C présente un décalage pour le fraisage préliminaire - voir "Fraisage préliminaire / fin".

b) Préréglage de la profondeur de fraisage

- Poussez la butée de profondeur [10.4] vers le haut, jusqu'à ce que l'indicateur [10.2] atteigne la profondeur de fraisage requise.



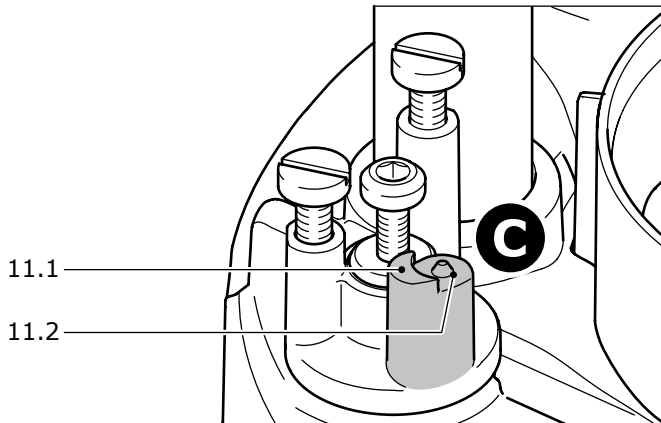
- Serrez la butée de profondeur dans sa position à l'aide du levier de serrage [10.3].
- Dévissez le bouton tournant [10.1]. La machine est maintenant en position de démarrage.
- Si nécessaire, vous pouvez réajuster la profondeur de fraisage en tournant la molette de réglage [10.4]. Chaque marque représente une profondeur de fraisage de 0,1 mm. Un tour complet de molette correspond à 1 mm.

i Remarques

- La bague cadran [10.5] peut être tournée séparément sur le réglage "zéro".
- Les trois marques [10.7] indiquent la plage de réglage maximum de la molette de réglage (20 mm) et la position centrale en cas d'alignement avec le bord [10.8].

Fraisage préliminaire / fin

La butée C comporte deux butées avec une différence de hauteur de 2 mm. Le fraisage jusqu'à la présélection de profondeur avec la butée C peut être réalisé en deux étapes :

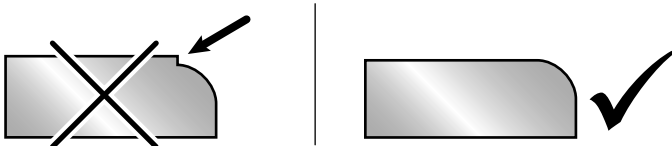


- Abaissez la fraiseuse jusqu'au premier niveau de butée [11.1] pour l'étape de fraisage préliminaire ;
- Abaissez la fraiseuse jusqu'au deuxième niveau de butée [11.2] afin de compléter la procédure de fraisage.

Cette procédure permet un fraisage rapide à une profondeur importante tout en obtenant une bonne qualité de surface. La profondeur de fraisage finale est définie par le réglage du niveau de butée [11.2].

Dispositif de réglage fin pour fraisage de chants

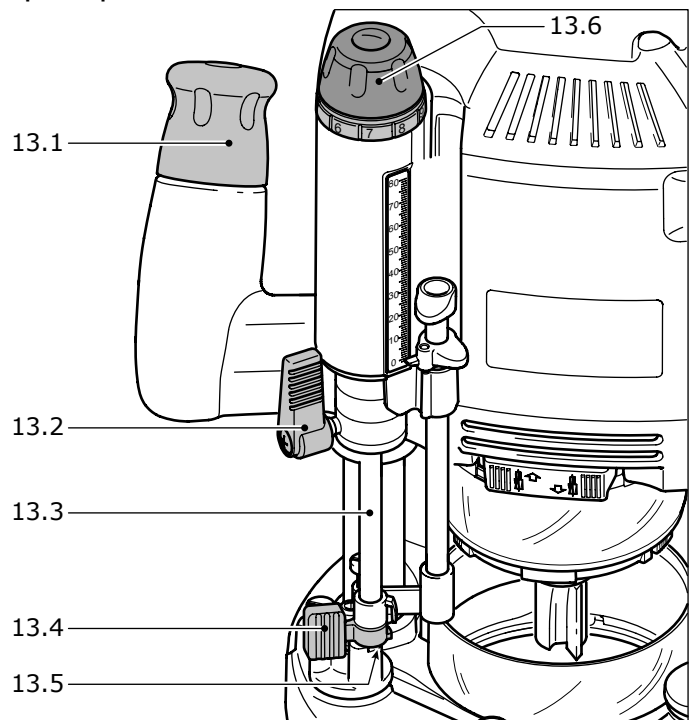
La machine est dotée d'un dispositif de réglage fin pour les outils de fraisage pourvus d'un guide de coupe, qui permet un réglage de précision rapide et aisé avant de fraiser les chants et empêche les décalages.



Dans un premier temps, prérezglez approximativement la profondeur de fraisage, puis effectuez une marche d'essai. Ensuite, ajustez la profondeur de fraisage de façon plus précise :

- Ouvrez le levier de serrage [13.2].
- Poussez la butée de profondeur [13.3] contre la butée fixe C [13.5].
- Serrez la butée de profondeur à l'aide de l'excentrique [13.4] sur la butée conique (tournez dans le sens des aiguilles d'une montre).

- Fermez le levier de serrage [13.2].
- Dévissez le bouton tournant [13.1].
- Tournez la molette de réglage [13.6] afin de régler la profondeur de fraisage de façon plus précise.



-
- La profondeur de fraisage peut être réglée dans les deux directions, étant donné que la butée de profondeur est couplée à la butée conique.
- Serrez le bouton tournant [13.1].
- Ouvrez l'excentrique [13.4] (tournez dans le sens inverse des aiguilles d'une montre).
- Exécutez de nouvelles marches d'essai et effectuez les réglages appropriés, si nécessaire.

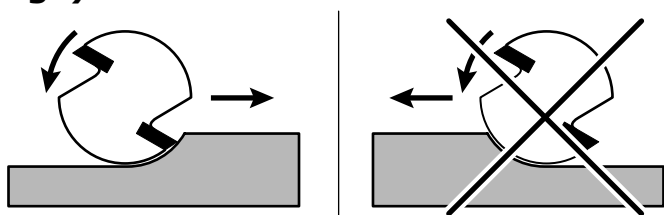
Travail avec la fraiseuse

⚠ AVERTISSEMENT Assurez-vous toujours que vos pièces à usiner sont fixées sûrement et ne peuvent pas bouger pendant le fraisage. Dans le cas contraire, il y a un risque accru d'accident. Utilisez des serre-joints ou d'autres dispositifs adaptés pour fixer votre pièce à usiner.

⚠ AVERTISSEMENT La machine doit toujours être tenue par les deux mains, au moyen des poignées prévues à cette fin.

⚠ AVERTISSEMENT Mettez toujours la fraiseuse en marche avant d'amener l'outil en contact avec la pièce à usiner !

⚠AVERTISSEMENT Avancez toujours la fraiseuse dans la même direction que le sens d'usinage de la fraise (contre-fraisage) !



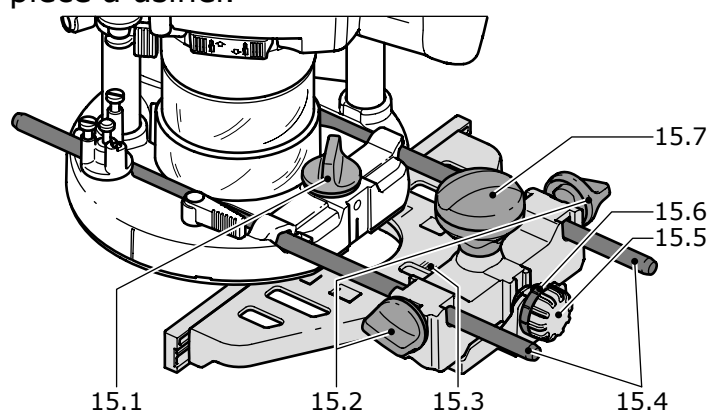
Procédure :

- Préréglez la profondeur de fraisage requise.
- Mettez l'outil en marche.
- Dévissez le bouton tournant [13.1].
- Poussez la machine aussi loin que possible vers le bas.
- Serrez la machine dans cette position en serrant le bouton tournant [13.1].
- Effectuez la tâche de fraisage.
- Dévissez le bouton tournant [13.1].
- Déplacez la machine lentement vers le haut, jusqu'en butée.
- Mettez l'outil hors tension.

Méthodes de guidage de la machine

a) Fraisage avec butée latérale

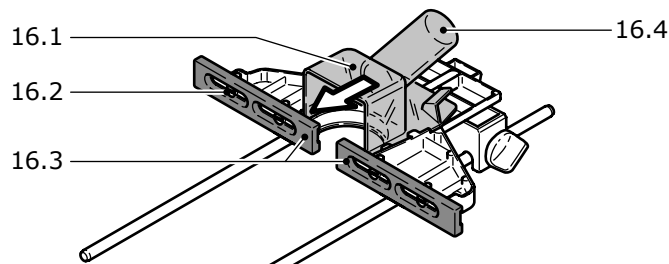
La butée latérale (fait partie des accessoires) est positionnée parallèlement au bord de la pièce à usiner.



- Bloquez les deux tiges-guide [15.4] à l'aide des deux boutons tournants [15.2] situés sur la butée latérale.
- Insérez les tiges-guide dans les rainures sur la base de la fraiseuse à la distance requise, puis serrez-les en tournant le bouton tournant [15.1].

Réglage fin

- Dévissez le bouton tournant [15.7] afin d'effectuer les réglages fins à l'aide de la molette de réglage [15.5]. La bague cadran [15.6] comporte une échelle de 0,1 mm à cette fin. Si la molette de réglage est maintenue bloquée, la bague cadran peut être tournée séparément et réglée à "zéro". L'échelle de millimètre [15.3] située sur le carter principal est utile pour effectuer les réglages grossiers.
- Serrez le bouton tournant [15.7] une nouvelle fois après avoir effectué les réglages fins.



- Réglez les deux mâchoires de guidage [16.3] de telle manière qu'elles se trouvent à env. 5 mm de la fraise. Pour effectuer ceci, dévissez les vis [16.2], puis resserrez-les après avoir effectué les réglages fins.
- Uniquement en cas de fraisage le long d'un bord : faites glisser la hotte d'aspiration [16.1] jusqu'à ce qu'elle s'engage en position sur la butée latérale, puis branchez le flexible d'aspiration de diamètre 27 mm ou 36 mm sur le raccord d'aspiration [16.4]. En guise d'alternative, laissez la machine aspirer la poussière par l'intermédiaire du raccord d'aspiration.

b) Fraisage de copie

Lors du fraisage avec des gabarits, montez une bague de copie intégrée sur la fraiseuse (accessoire).

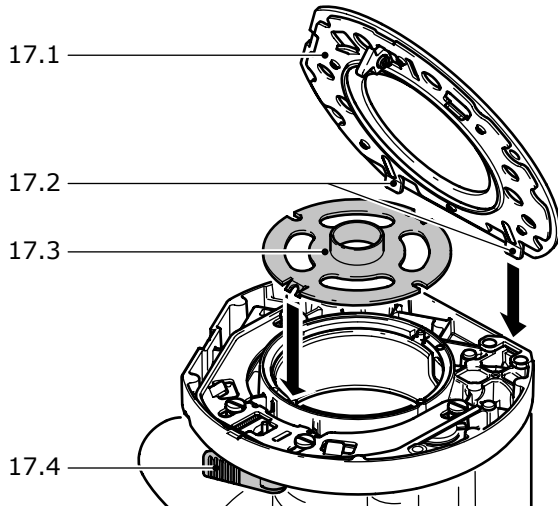
i Remarque :

- ▶ Les bagues de copie peuvent être utilisées en combinaison avec le galet palpeur standard. Un galet palpeur spécial est disponible en tant qu'accessoire afin d'améliorer la surface de contact.

⚠AVERTISSEMENT Un outil de fraisage de taille excessive peut endommager la bague de copie et provoquer des accidents. Assurez-vous que l'outil de fraisage utilisé s'adapte dans l'ouverture de la bague de copie.

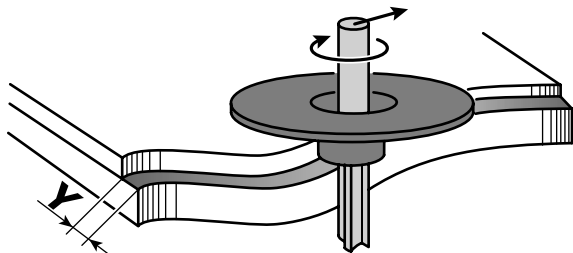
Procédure :

- Posez la machine sur son côté, sur une base stable.
- Ouvrez le levier [17.4].
- Retirez le galet palpeur [17.1].
- Débloquez une nouvelle fois le levier [17.4].



- Insérez une bague de copie [17.3] dans la bonne position sur la base de la fraiseuse.
- Insérez les languettes [17.2] sur un galet palpeur dans la base de la fraiseuse.
- Poussez le galet palpeur vers le bas, jusqu'à ce qu'il s'engage dans la base de la fraiseuse.

Le porte-à-faux Y de la pièce à usiner par rapport au gabarit est calculé comme suit :



$Y = \frac{1}{2}$ (diamètre de la bague de copie moins le diamètre de la fraise)

c) Fraisage de chants

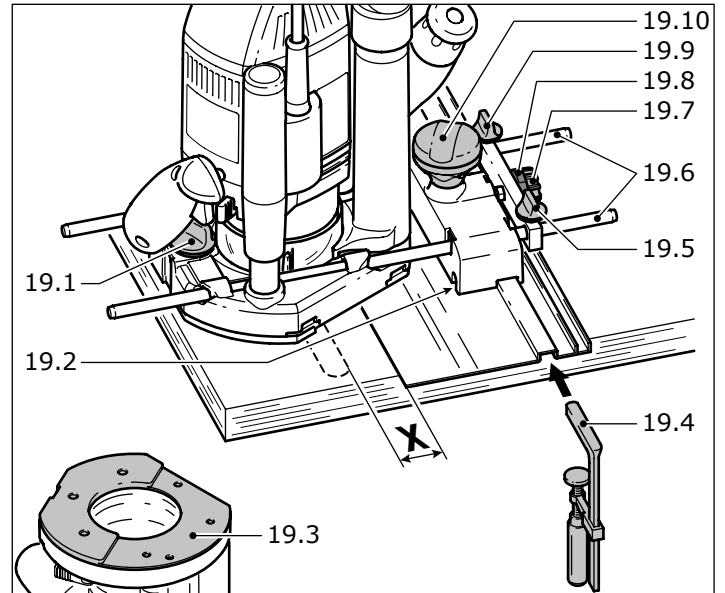
Les outils de fraisage pourvus d'un guide de coupe sont requis lorsque la machine est utilisée pour le fraisage de chants. La machine est dans ce cas guidée de telle manière que le guide de coupe roule sur la pièce à usiner.

Lors du fraisage de chants, utilisez toujours le déflecteur de copeaux KSF-OF afin d'améliorer l'aspiration des poussières.

d) Fraisage à l'aide d'un système de guidage FS

Le système de guidage (fait partie des accessoires) facilite le fraisage de rainures droites.

- Bloquez le rail de guidage sur la pièce à usiner à l'aide de serre-joints [19.4].
- Insérez le galet palpeur [19.3] pour la butée de guidage dans la base de la fraiseuse (voir "Changement du galet palpeur").



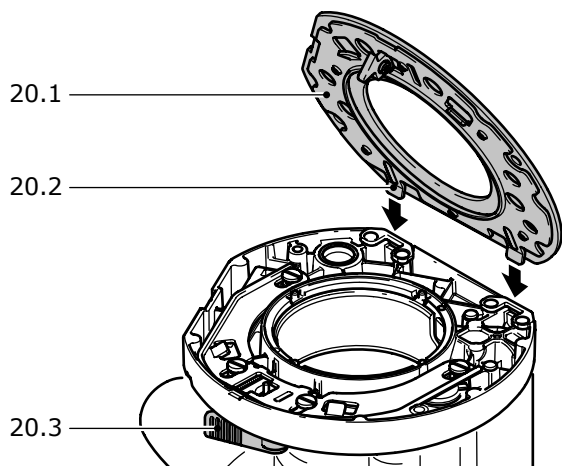
-
- Ce galet palpeur est décalé afin de compenser la hauteur du rail de guidage.
- Bloquez les deux tiges-guide [19.6] à l'aide des boutons tournants [19.5] et [19.9] sur la butée de guidage.
- Dévissez le bouton tournant [19.1].
- Insérez les tiges de guidage [19.6] dans les rainures sur la base de la fraiseuse.
- Placez la fraiseuse avec la butée de guidage sur le rail de guidage.
- Si nécessaire, vous pouvez ajuster le jeu de la butée de guidage sur le rail de guidage en ajustant les deux mâchoires de guidage [19.2] à l'aide d'un tournevis.
- Faites glisser la fraiseuse le long des tiges de guidage, jusqu'à ce que l'outil de fraisage atteigne la distance requise X par rapport au rail de guidage.
- Vissez le bouton tournant [19.1].
- Dévissez le bouton tournant [19.10].
- Tournez la molette de réglage [19.7] afin d'ajuster la distance X de façon plus précise.
- Maintenez la molette de réglage [19.7] afin de tourner l'échelle [19.8] indépendamment à "zéro".
- Vissez le bouton tournant [19.10].

Changement du galet palpeur

Festool propose des galets palpeurs spéciaux (en tant qu'accessoire) pour différentes applications.

Changez le galet palpeur comme suit :

- Posez la machine sur son côté, sur une base stable.
- Ouvrez le levier [20.3].



- Retirez le galet palpeur [20.1].
- Débloquez une nouvelle fois le levier [20.3].
- Insérez les languettes [20.2] sur un galet palpeur dans la base de la fraiseuse.
- Poussez le galet palpeur vers le bas, jusqu'à ce qu'il s'engage dans la base de la fraiseuse.

Usinage de l'aluminium

⚠️ AVERTISSEMENT Les précautions suivantes doivent être prises en cas d'usinage d'aluminium, pour des raisons de sécurité :

- Branchez un disjoncteur à courant résiduel en amont.
- Connectez la machine à un aspirateur approprié.
- Nettoyez régulièrement les accumulations de poussière dans le carter moteur de l'outil.
- Portez des lunettes de protection.

Accessoires, outils

⚠️ AVERTISSEMENT Pour des raisons de sécurité, utilisez uniquement les accessoires et outils d'origine Festool !

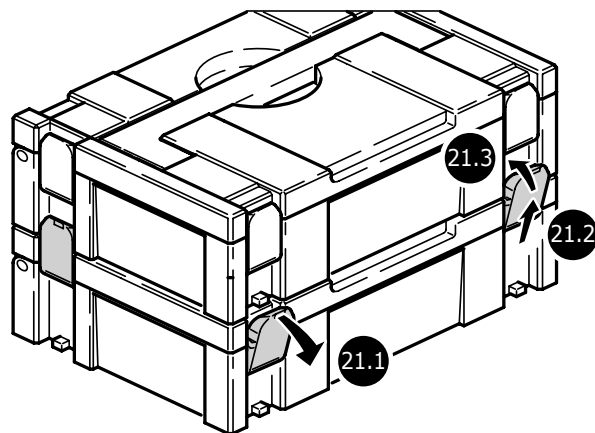
Festool vous propose une gamme complète d'accessoires pour votre fraiseuse :

- Outils de fraisage pour différentes applications.
- Rails de guidage pour fraisage rectiligne.
- Galets palpeurs pour différentes applications.

Les références des accessoires et outils sont disponibles dans le catalogue Festool ou sur Internet à l'adresse www.festool-usa.com.

Systainer

De nombreux produits Festool sont fournis dans une caisse exclusive, appelée "Systainer". Celle-ci permet de protéger et de ranger des outils et des appareils complémentaires. Les Systainer sont empilables et peuvent être solidarisés. En outre, il se fixent sur les aspirateurs CT Festool.



- Poser deux Systainer l'un sur l'autre,
- défaire les quatre éléments de verrouillage du Systainer inférieur en les tirant en arrière par leur bord supérieur (21.1).
- pousser les quatre éléments de verrouillage vers le haut (21.2)
- manoeuvrer les quatre éléments de verrouillage (21.3) de sorte qu'ils s'enclenchent au niveau des éléments récepteurs du Systainer supérieur.

Entretien courant et maintenance

⚠️ AVERTISSEMENT Tout travail de maintenance ou de réparation, qui nécessite l'ouverture du moteur ou du carter d'engrenages doit uniquement être effectué par un centre service-client autorisé (nom fourni par votre revendeur) ! Les travaux de maintenance ou de réparation effectués par un personnel non autorisé peuvent conduire à la mauvaise connexion de câbles d'alimentation ou d'autres composants, ce qui peut entraîner à son tour des accidents avec des conséquences graves.

⚠️ AVERTISSEMENT Pour éviter les accidents, retirez toujours la fiche mâle de la prise d'alimentation électrique avant d'effectuer tout travail de maintenance ou de réparation sur la machine ! N'utilisez pas d'air comprimé pour nettoyer l'outil électrique ! N'essayez pas de nettoyer des parties à l'intérieur de la machine de cette façon, étant donné que des corps étrangers pourraient pénétrer dans les ouvertures du carter de la machine.

⚠️ MISE EN GARDE Certains produits nettoyants et solvants sont nocifs pour les pièces en plastique. En voici des exemples : essence, chlorure de carbone, solutions de nettoyage contenant du chlore, ammoniac et produits de nettoyage domestiques contenant de l'ammoniac.

- Pour assurer la circulation de l'air, les événements d'aération situés dans le carter moteur doivent toujours rester propres et dégagés.
- Cette unité est équipée de balais de charbon spéciaux à déconnexion automatique. Lorsqu'ils sont usés, le courant est coupé automatiquement et l'unité est mise hors tension. Dans ce cas, envoyez l'unité à un centre service-client autorisé et faites changer les balais de charbon.

Garantie

Conditions de la garantie (1+2 ans)

Vous avez droit à une prolongation de garantie gratuite (1 an + 2 ans = 3 ans) sur votre outil électrique Festool. Festool assumera tous les coûts d'expédition pendant la première année de la garantie alors que les deuxième et troisième années, les coûts devront être assumés par le client. Festool paiera les frais de retour de l'outil au client par service de livraison terrestre UPS. La garantie est valable pour une période de 3 ans à compter de la date d'achat indiquée sur votre reçu ou votre facture.

Garantie limitée de Festool

Cette garantie est valable à condition que l'outil soit utilisé conformément aux instructions de Festool. Festool garantit, à l'acheteur initial seulement, que l'outil indiqué sera exempt de tout défaut de matériau et de fabrication pendant un an à compter de la date d'achat. Festool ne donne aucune garantie supplémentaire, implicite ou explicite, sur les instruments portables électriques Festool. Aucun agent, représentant commercial, distributeur, vendeur ou employé de Festool n'est autorisé à prolonger ou à modifier les obligations ou restrictions de la présente garantie. Les obligations de Festool sont, à son entière discrétion, limitées à la réparation ou à l'échange des outils portables électriques Festool trouvés défectueux dans le présent emballage, tels que fournis avec le présent Guide d'utilisation.

Cette garantie exclut l'usure normale, les dommages causés par un usage impropre, les abus ou la négligence, ou tout dommage autre que ceux attribuables à des défauts de matériau et de fabrication. Cette garantie ne s'applique pas aux accessoires tels que lames de scie circulaire, mèches de perceuse et vilebrequin, lames de scie sauteuse, bandes abrasives et meules. Sont également exclues les pièces d'usure, telles que balais de charbon, lamelles pour outils à air comprimé, joints et manchons de caoutchouc, disques et patins ponceurs, ainsi que les piles.

Les outils électriques portables Festool à remplacer ou à réparer doivent être retour-

nés avec le reçu d'achat à Festool (appelez au 800-554-8741 pour connaître l'adresse d'expédition).

FESTOOL N'EST EN AUCUN CAS RESPONSABLE DES DOMMAGES DIRECTS OU INDIRECTS, IMPLICITES OU EXPLICITES, DÉCOULANT DE LA RUPTURE DE CETTE GARANTIE OU DE TOUTE AUTRE GARANTIE. TOUTES LES GARANTIES IMPLICITES, Y COMPRIS LES GARANTIES IMPLICITES DE QUALITÉ MARCHANDE ET D'ADÉQUATION À UN USAGE PARTICULIER, SONT LIMITÉES À UNE PÉRIODE DE TROIS ANS.

Certains états américains et certaines provinces canadiennes ne permettent pas la limitation des garanties implicites; il se pourrait donc que les limites indiquées ci-dessus ne s'appliquent pas dans votre cas. À l'exception de certaines garanties implicites des provinces ou des états indiquées ici, la présente garantie est exclusive et remplace toute autre garantie, convention et obligation similaire de Festool.

Cette garantie vous confère des droits légaux spécifiques, et vous pouvez aussi avoir d'autres droits pouvant varier d'un état à l'autre, ou d'une province à l'autre au Canada.

Índice de contenidos

Normas de seguridad	30
Datos técnicos	32
Símbolos	32
Descripción de las funciones	32
Uso para fines determinados	33
Conexión eléctrica	33
Conexión y desconexión de la máquina	33
Ajuste de las herramientas	34
Control electrónico	34
Aspiración de las virutas	34
Cuchillas de fresado	35
Cambio de la pinza	35
Ajuste de la profundidad de fresado	36
Fresado preliminar/preciso	37
Ajuste preciso para el tratamiento de cantos	37
Manejo de la fresadora	38
Métodos de guiado de la máquina	38
Cambio de la banda de rodadura	40
Procesamiento de aluminio	40
Accesorios, herramientas	40
Servicio y mantenimiento	41
Garantía	41

Normas de seguridad

⚠ADVERTENCIA Lea y entienda todas las instrucciones. El incumplimiento con las instrucciones aquí referidas puede resultar en una descarga eléctrica, fuego y/o lesiones personales serias.

CONSERVE ESTAS INSTRUCCIONES

Normas generales de seguridad

1) Seguridad del espacio de trabajo

- a) Mantenga limpio y bien iluminado su puesto de trabajo.** El desorden y una iluminación deficiente en las áreas de trabajo pueden provocar accidentes.
- b) No utilice la herramienta eléctrica en un entorno con peligro de explosión, en el que se encuentren combustibles**

líquidos, gases o material en polvo. Las herramientas eléctricas producen chispas que pueden llegar a inflamar los materiales en polvo o vapores.

c) Mantenga alejados a los niños y otras personas de su puesto de trabajo al emplear la herramienta eléctrica. Una distracción le puede hacer perder el control sobre el aparato.

2) Seguridad eléctrica

a) El enchufe del aparato debe corresponder a la toma de corriente utilizada. No es admisible modificar el enchufe en forma alguna. No emplear adaptadores en aparatos dotados con una toma de tierra. Los enchufes sin modificar adecuados a las respectivas tomas de corriente reducen el riesgo de una descarga eléctrica.

b) Evite que su cuerpo toque partes conectadas a tierra como tuberías, radiadores, cocinas y refrigeradores. El riesgo a quedar expuesto a una sacudida eléctrica es mayor si su cuerpo tiene contacto con tierra.

c) No exponga las herramientas eléctricas a la lluvia y evite que penetren líquidos en su interior. Existe el peligro de recibir una descarga eléctrica si penetran ciertos líquidos en la herramienta eléctrica.

d) No utilice el cable de red para transportar o colgar el aparato, ni tire de él para sacar el enchufe de la toma de corriente. Mantenga el cable de red alejado del calor, aceite, esquinas cortantes o piezas móviles. Los cables de red dañados o enredados pueden provocar una descarga eléctrica.

e) Al trabajar con la herramienta eléctrica en la intemperie utilice solamente cables de prolongación homologados para su uso en exteriores. La utilización de un cable de prolongación adecuado para su uso en exteriores reduce el riesgo de una descarga eléctrica.

f) Sujete la máquina únicamente por las empuñaduras aisladas si durante los trabajos las herramientas para separar pueden entrar en contacto con conducciones eléctricas ocultas o incluso con el cable de la corriente. Cuando las herramientas para separar entran en contacto con

conducciones eléctricas bajo tensión, las partes metálicas de la máquina pueden adquirir esta tensión y transmitir, de ese modo, una descarga eléctrica al usuario.

3) Seguridad personal

a) Esté atento a lo que hace y emplee la herramienta eléctrica con prudencia. No utilice la herramienta eléctrica si estuviese cansado, ni tampoco después de haber consumido alcohol, drogas o medicamentos. El no estar atento durante el uso de una herramienta eléctrica puede provocarle serias lesiones.

b) Utilice un equipo de protección y en todo caso unas gafas de protección. El riesgo a lesionarse se reduce considerablemente si, dependiendo del tipo y la aplicación de la herramienta eléctrica empleada, se utiliza un equipo de protección adecuado como una mascarilla antipolvo, zapatos de seguridad con suela antideslizante, casco, o protectores auditivos.

c) Evite una puesta en marcha fortuita del aparato. Cerciorarse de que el aparato esté desconectado antes conectarlo a la toma de corriente. Si transporta el aparato sujetándolo por el interruptor de conexión/desconexión, o si introduce el enchufe en la toma de corriente con el aparato conectado, ello puede dar lugar a un accidente.

d) Retire las herramientas de ajuste o llaves fijas antes de conectar la herramienta eléctrica. Una herramienta o llave colocada en una pieza rotante puede producir lesiones al ponerse a funcionar.

e) Sea precavido. Trabaje sobre una base firme y mantenga el equilibrio en todo momento. Ello le permitirá controlar mejor la herramienta eléctrica en caso de presentarse una situación inesperada.

f) Lleve puesta una vestimenta de trabajo adecuada. No utilice vestimenta amplia ni joyas. Mantenga su pelo, vestimenta y guantes alejados de las piezas móviles. La vestimenta suelta, las joyas y el pelo largo se pueden enganchar con las piezas en movimiento.

g) Siempre que sea posible utilizar unos equipos de aspiración o captación de polvo, asegúrese que éstos estén montados y que sean utilizados correctamente. El

empleo de estos equipos reduce los riesgos derivados del polvo.

4) Uso y cuidado de la herramienta

a) No sobrecargue el aparato. Use la herramienta prevista para el trabajo a realizar. Con la herramienta adecuada podrá trabajar mejor y más seguro dentro del margen de potencia indicado.

b) No utilice herramientas con un interruptor defectuoso. Las herramientas que no se puedan conectar o desconectar son peligrosas y deben hacerse reparar.

c) Saque el enchufe de la red antes de realizar un ajuste en el aparato, cambiar de accesorio o al guardar el aparato. Esta medida preventiva reduce el riesgo a conectar accidentalmente el aparato.

d) Guarde las herramientas fuera del alcance de los niños y de las personas que no estén familiarizadas con su uso. Las herramientas utilizadas por personas inexpertas son peligrosas.

e) Cuide sus aparatos con esmero. Controle si funcionan correctamente, sin atascarse, las partes móviles del aparato, y si existen partes rotas o deterioradas que pudieran afectar al funcionamiento de la herramienta. Si la herramienta eléctrica estuviese defectuosa haga repararla antes de volver a utilizarla. Muchos de los accidentes se deben a aparatos con un mantenimiento deficiente.

f) Mantenga los útiles limpios y afilados. Los útiles mantenidos correctamente se dejan guiar y controlar mejor.

g) Utilice herramientas eléctricas, accesorios, útiles, etc. de acuerdo a estas instrucciones y en la manera indicada específicamente para este aparato. Considere en ello las condiciones de trabajo y la tarea a realizar. El uso de herramientas eléctricas para trabajos diferentes de aquellos para los que han sido concebidas puede resultar peligroso.

5) Mantenimiento

a) Únicamente haga reparar su herramienta eléctrica por un profesional, empleando exclusivamente piezas de re-

puesto originales. Solamente así se mantiene la seguridad de la herramienta eléctrica.

Normas de seguridad específicas

a) Sujete la herramienta por la superficie de agarre aislada cuando realice una operación donde la herramienta de corte pueda contactar alambres ocultos o su propio cable. El contacto con un alambre con corriente hará traspasar la corriente a las partes de metal de la herramienta resultando en una descarga eléctrica al usuario.

b) Use abrazaderas u otras formas prácticas de sujetar y asegurar la pieza de trabajo en una plataforma estable. El sujetar la pieza de trabajo con la mano o contra el cuerpo es inestable y puede causar la pérdida de control.

Riesgos para la salud producidos por el polvo

⚠️ ADVERTENCIA Algunos polvos creados por lijadoras motorizadas, aserraderos, trituradores, perforadoras y otras actividades de construcción contienen sustancias químicas que se sabe (en el Estado de California) causan cáncer, defectos de nacimiento u otros daños al sistema reproductivo. Algunos ejemplos de estas sustancias químicas son:

- Plomo de las pinturas con base de plomo
- Sílice cristalino de los ladrillos y cemento y otros productos de mampostería, y
- Arsénico y cromo de madera tratada con sustancias químicas

El riesgo de exposición a estas sustancias varía, dependiendo de cuantas veces se hace este tipo de trabajo.



Para reducir el contacto con estas sustancias químicas: trabaje en un área con buena ventilación y trabaje con equipo de seguridad aprobado, como mascarillas para el polvo diseñadas específicamente para filtrar partículas microscópicas.

⚠️ ADVERTENCIA PARA REDUCIR EL RIESGO DE LESIÓN, EL USUARIO DEBE LEER Y ENTENDER EL MANUAL DE INSTRUCCIÓN.

Datos técnicos

Potencia	15 A
Voltaje	~ 120 V, 60 Hz
Sin velocidad de carga	10000 - 22000 rpm
Ajuste rápido de altura	80 mm (3.1")
Ajuste de altura preciso	20 mm (0.8")
Diámetro de la fresadora, máx.	89 mm (3.5")
Conexión del árbol de accionamiento del husillo	M 22x1
Peso	7.8 kg (17.2 lbs)
Protección clase	□ / II

Símbolos

V	Voltios
A	Amperios
Hz	Hercios
~	Corriente alterna
n_0	Sin velocidad de carga
□	Construcción Clase II
rpm	Revoluciones o reciprocidad por minuto
∅	Diámetro
	Aviso ante un peligro general
	¡Leer las instrucciones e indicaciones!
▶	Indicación, consejo

Descripción de las funciones

Las imágenes con la descripción de las funciones de la máquina se encuentran en una hoja desplegable al comienzo de este manual de instrucciones. Cuando lea este manual, le recomendamos que despliegue esta página para disponer fácilmente de una vista general de la máquina.

- 1.1 Rueda de ajuste para ajustar con precisión la profundidad de fresado
- 1.2 Anillo de ajuste para ajustar con precisión la profundidad de fresado
- 1.3 Botón giratorio para fijar la profundidad de fresado
- 1.4 Escala de profundidad de fresado
- 1.5 Tope de profundidad con indicador

- 1.6 Palanca de apriete para el tope de profundidad
- 1.7 Excéntrica para conectar el tope de profundidad y tope escalonado
- 1.8 Tope escalonado
- 1.9 Palanca para cambiar la banda de rodadura
- 1.10 Interruptor basculante para el bloqueo del husillo
- 1.11 Rueda de ajuste para el control de velocidad
- 2.1 Botón de bloqueo para el interruptor de conexión y desconexión
- 2.2 Interruptor de conexión y desconexión
- 2.3 Palanca para bloquear el dispositivo de protección
- 2.4 Empuñaduras
- 2.5 Racor de aspiración

Uso para fines determinados

Las fresadoras están diseñadas para fresar madera, plásticos y materiales similares. El aluminio y las placas de fibra de yeso también pueden procesarse con las cuchillas correspondientes que aparecen enumeradas en los catálogos Festool.

⚠ ADVERTENCIA El usuario es responsable de los daños y perjuicios derivados de un uso incorrecto.

Conexión eléctrica

La tensión de la red deberá equivaler a la tensión indicada en la placa indicadora de potencia. Se requiere un fusible de seguridad 16 A (para 120 V) o un interruptor de protección equivalente.

Alargador

Si fuera necesario utilizar un alargador, éste deberá estar provisto de una sección transversal suficiente como para evitar una pérdida excesiva de voltaje o que se produzca un sobrecalentamiento. Una pérdida excesiva de voltaje reduce el rendimiento y puede causar el fallo del motor. La tabla que aparece a continuación indica el diámetro correcto del

cable en función de la longitud del cable de la fresadora OF 2200 EB. Use sólo los alargadores U.L. y CSA que figuran en la relación. No utilice nunca dos alargadores juntos. Se recomienda usar un solo cable largo.

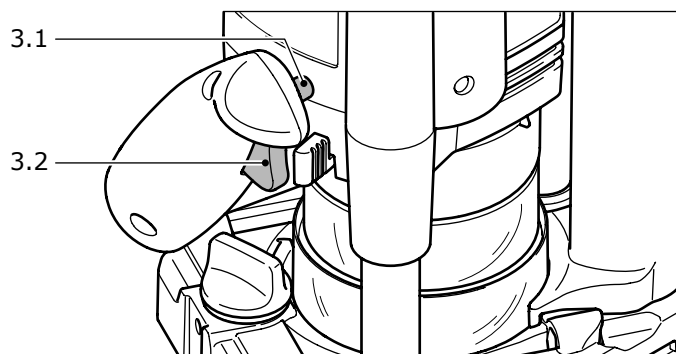
Longitud total del cable alargador (alimentación)	25	50	100	150
Dimensiones del cable (AWG)	16	14	12	10

i Observación:

Cuanto menor sea el número AWG, más fuerte será el cable.

Conexión y desconexión de la máquina

⚠ ADVERTENCIA Mantenga la máquina estable durante la conexión y el uso sujetando las empuñaduras con ambas manos.



El interruptor [3.2] es un interruptor de conexión y desconexión. Presione el botón lateral de bloqueo [3.1] para bloquear el interruptor en el modo de operación continua. Presione el interruptor de nuevo para desactivar el botón.

⚠ ADVERTENCIA Después de desconectar la máquina, la cuchilla de fresado seguirá rotando durante algún tiempo. Vigile que ninguna parte de su cuerpo entra en contacto con la cuchilla de fresado mientras ésta continúa rotando.

Ajuste de las herramientas

⚠ADVERTENCIA Desconecte siempre el enchufe de la fuente de alimentación antes de efectuar cualquier tipo de ajuste a la fresadora, o instalar o retirar cualquier accesorio.

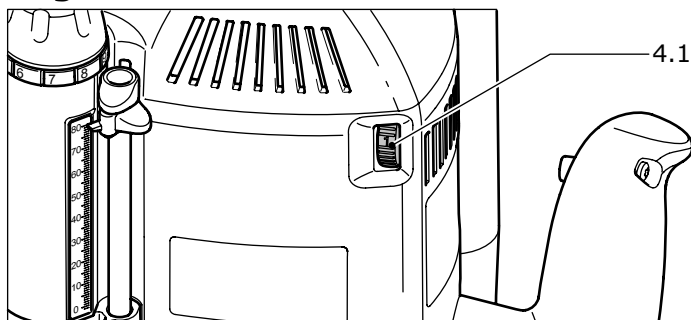
Control electrónico

La fresadora OF 2200 EB dispone de un sistema electrónico de onda plena con las siguientes funciones:

Arranque suave:

La función de arranque suave controlado electrónicamente garantiza que la máquina arranca suavemente.

Regulación de la velocidad:



Utilice la rueda de ajuste [4.1] para regular gradualmente la velocidad de rotación entre 10000 y 22000 rpm.

Esto le permite optimizar la velocidad de corte para adaptar la herramienta de fresado al material correspondiente:

Material	Diámetro de la cuchilla [mm]			Material de la cuchilla
	10-30	30-50	50-89	
Madera dura	6-4	5-3	3-1	HW (HSS)
Madera blanda	6-5	6-4	5-3	HSS (HW)
Paneles	6-5	6-4	4-2	HW
Plástico	6-4	6-3	3-1	HW
Aluminio	3-1	3-1	2-1	HSS (HW)
Placas de fibra de yeso	2-1	1	1	HW

Velocidad constante:

La velocidad seleccionada del motor se mantiene electrónicamente a un nivel constante.

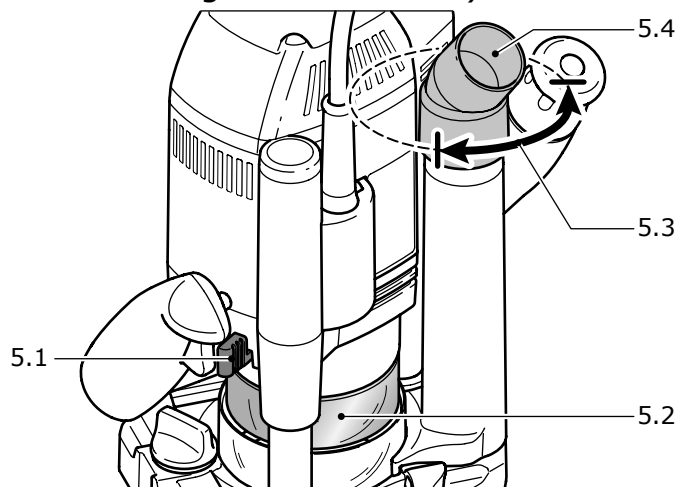
De este modo se obtiene una velocidad de corte uniforme.

Frenado

La OF 2200 EB dispone de un freno electrónico que detiene el husillo en pocos segundos tras la desconexión de la máquina.

Aspiración de las virutas

Se puede conectar un aspirador Festool al racor de aspiración [5.4]. El diámetro del tubo flexible de aspiración deberá ser de 36 mm o de 27 mm (se recomienda de 36 mm, ya que reduce el riesgo de obturación).



Se puede rotar el racor de aspiración [5.4] dentro de los límites indicados [5.3]. El racor de aspiración del tubo de aspiración no estará seguro si se rota fuera de dichos límites.

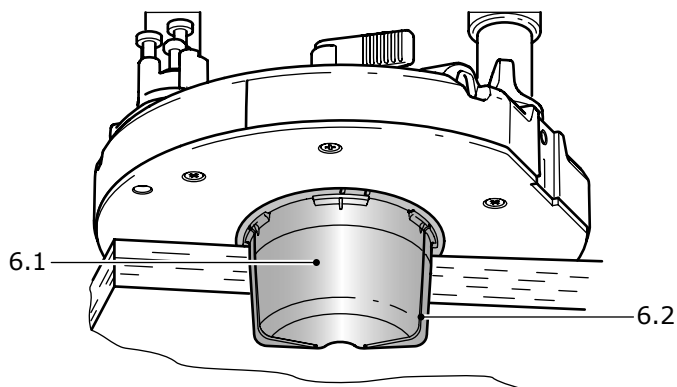
Caperuza de recogida de virutas

La caperuza de recogida de virutas [5.2] puede desplazarse a la posición superior para, por ejemplo, cambiar la punta de la fresadora. Deslice hacia arriba la caperuza de recogida de virutas hasta que se encaje, o empuje la máquina hacia abajo tanto como le sea posible.

Le recomendamos que baje la caperuza de recogida de virutas antes de comenzar a trabajar para mejorar la eficiencia del sistema de aspiración. Para ello, empuje la palanca [5.1] hacia la empuñadura.

Derivador de virutas KSF-OF

El derivador de virutas KSF-OF [6.1] aumenta indirectamente la eficiencia del sistema de aspiración durante el fresado de cantos. El diámetro máximo posible de fresado es de 78 mm.



El derivador está instalado de modo similar al del anillo copiador (consulte "Fresado de copias").

La capucha puede cortarse por las ranuras [6.2] utilizando una sierra de arco, reduciendo así su tamaño. Entonces podemos utilizar el derivador de virutas para los radios interiores, hasta un límite mínimo de 52 mm.

Cuchillas de fresado

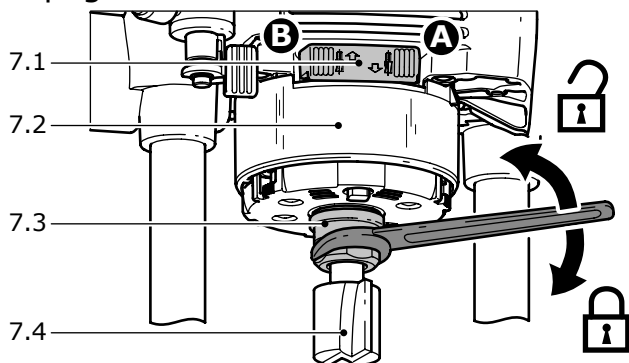
⚠ADVERTENCIA No sobrepase la velocidad máxima especificada en la herramienta y/o respete el límite de velocidad. No se deben utilizar cuchillas agrietadas o deformadas.

⚠ADVERTENCIA La herramienta de fresado puede estar caliente después de su uso y sus cantos son afilados. Deje enfriar la herramienta antes de cambiarla. Utilice guantes de protección para cambiar las herramientas.

► Para cambiar la herramienta, le recomendamos que gire la máquina sobre el lateral.

i Advertencia:

► Presione el balancín para el bloqueo del husillo [7.1] sólo cuando la máquina esté apagada.



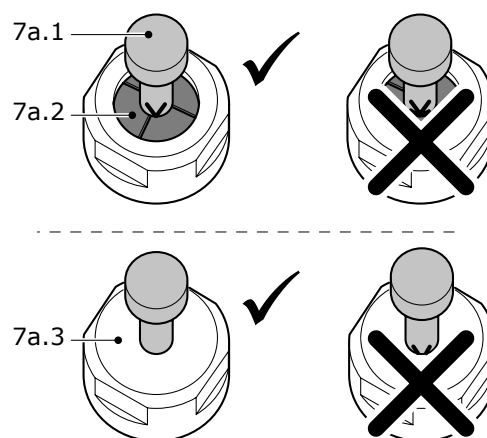
a) Extracción de la herramienta

– Deslice hacia arriba la caperuza de recogida de virutas [7.2] hasta que se encaje, si fuera necesario.

- Presione el interruptor basculante [7.1] del bloqueo del husillo para que se quede en la cara A.
- Desatornille la tuerca de racor [7.3] utilizando una llave plana (tamaño 24) hasta que sea capaz de extraer la herramienta.

b) Inserción de la herramienta

- Inserte la herramienta de fresado [7.4/7a.1] en la pinza abierta [7a.2] tanto como le sea posible, y como mínimo hasta la marca √ que hay en la varilla. Si no se ve la pinza debido a la tuerca de racor (7a.3), deberá introducirse la fresadora en la pinza como mínimo hasta que la marca √ no sobresalga de la tuerca de racor.

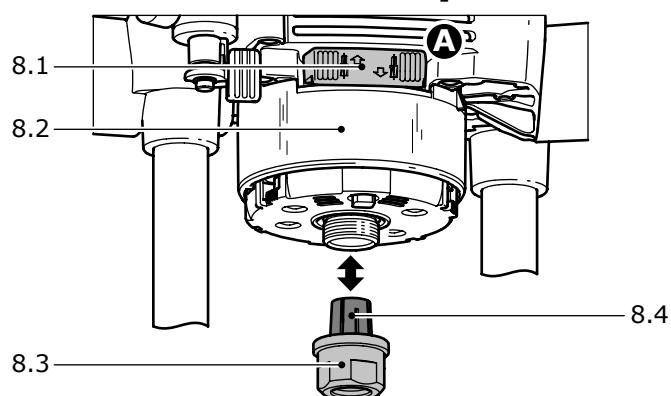


- Presione el interruptor basculante [7.1] del bloqueo del husillo para que se quede en la cara B.
- Apriete la tuerca de racor [7.3] utilizando una llave plana (tamaño 24).

i Observación:

► El interruptor basculante únicamente bloquea el husillo del motor en una dirección de rotación cada vez. Por ello, si la tuerca de racor está aflojada o apretada, no necesita separar la llave, puede moverla hacia atrás y hacia delante como un trinquete.

Cambio de la pinza

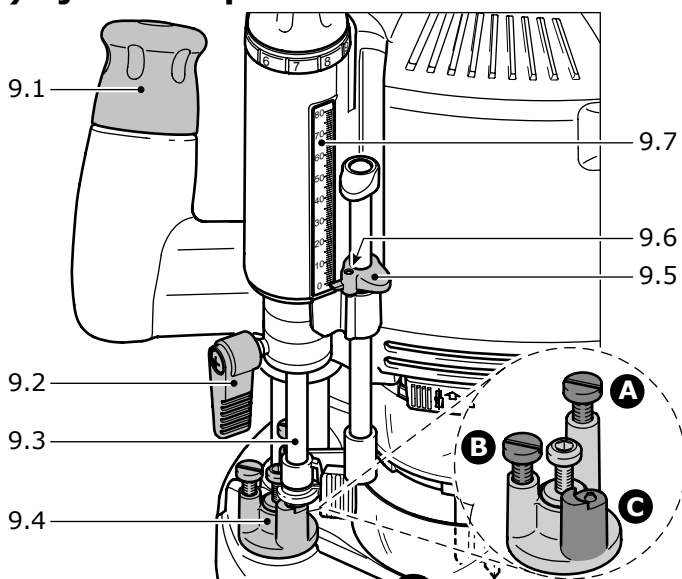


- Si fuera necesario, deslice hacia arriba la caperuza de recogida de virutas [8.2] hasta que se encaje.
- Presione el interruptor basculante [8.1] del bloqueo del husillo para que se quede en la cara A.
- Desatornille la tuerca de racor [8.3] totalmente.
- Extraiga la tuerca de racor del husillo junto con la pinza [8.4]. No separe la tuerca de racor y la pinza, ya que ambas forman un único componente.
- Coloque una nueva pinza con tuerca de racor en el husillo.
- Atorníllela ligeramente en la tuerca de racor. No apriete la tuerca de racor hasta que se inserte una punta de la fresadora. Ajuste de la profundidad de fresado

Ajuste de la profundidad de fresado

La profundidad de fresado se ajusta en dos pasos:

a) Ajuste del punto cero



- Coloque la fresadora en una superficie plana (superficie de referencia).
- Abra la palanca de apriete [9.2].
- Desatornille el botón giratorio [9.1].
- Empuje la máquina hacia abajo hasta que la punta de la fresadora quede en la superficie (superficie de referencia). Sujete la máquina en esta posición apretando el botón giratorio [9.1].
- Presione el tope de profundidad [9.3] contra uno de los tres toques fijos del tope escalonado giratorio [9.4].

- Deslice hacia abajo el indicador [9.5] hasta la marca de 0 mm en la escala [9.7].

i Observación:

- Si la posición de la base del indicador es incorrecta, puede ajustarla girando el tornillo [9.6] en el indicador.

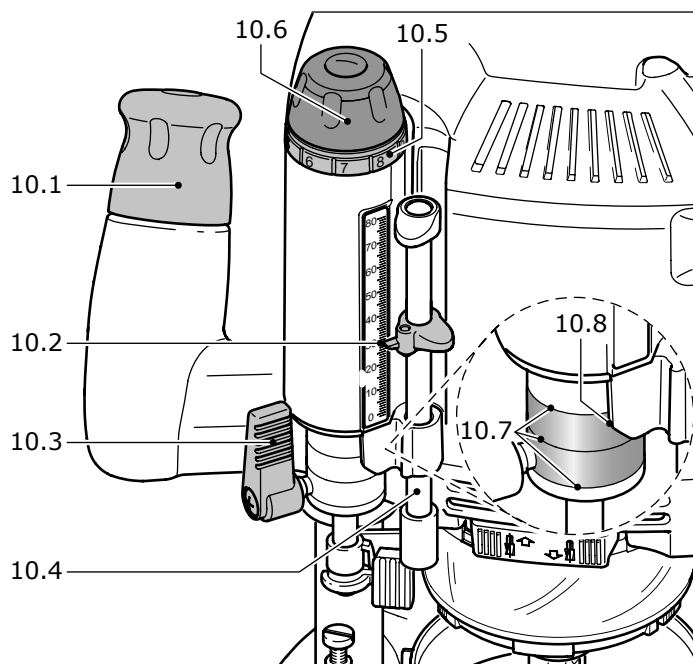
El tope escalonado [9.4] tiene tres toques, dos de los cuales pueden ajustarse en altura utilizando un destornillador convencional:

- Tope A: 18 mm - 51 mm
- Tope B: 6 mm - 18 mm
- Tope C: 0 mm

i Observación:

- El tope C tiene un offset para fresado preliminar - consulte "Fresado preliminar/preciso".

b) Preajuste de la profundidad de fresado



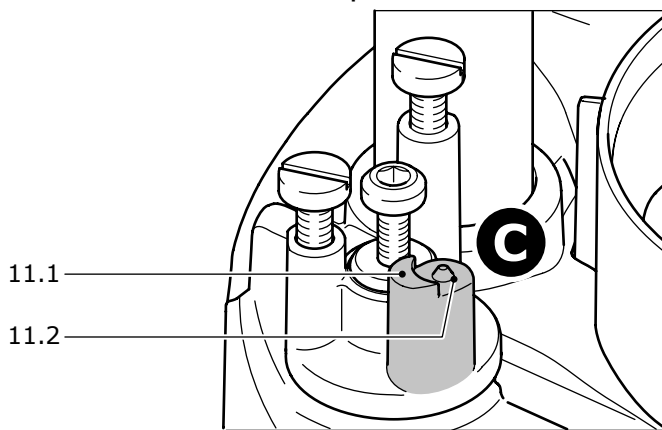
- Deslice hacia arriba el tope de profundidad [10.4] hasta que el indicador [10.2] alcance la profundidad de fresado deseada.
- Sujete el tope de profundidad en esta posición utilizando una palanca de apriete [10.3].
- Desatornille el botón giratorio [10.1]. Ahora, la máquina se encuentra en la posición de inicio.
- Si fuera necesario, puede reajustar la profundidad de fresado girando la rueda de ajuste [10.4]. Cada marca equivale a una profundidad de fresado de 0,1 mm. Un giro completo de la rueda equivale a 1 mm.

i Observación:

- ▶ El anillo de ajuste [10.5] puede girarse independientemente hasta la posición de ajuste "cero".
- ▶ Las tres marcas [10.7] indican el límite máximo de ajuste de la rueda de ajuste (20 mm) y la posición central cuando está alineada con el borde [10.8].

Fresado preliminar/preciso

El tope C dispone de dos límites de tope con una diferencia de altura de 2 mm. El fresado a la profundidad preestablecida con el tope C puede realizarse en dos pasos:

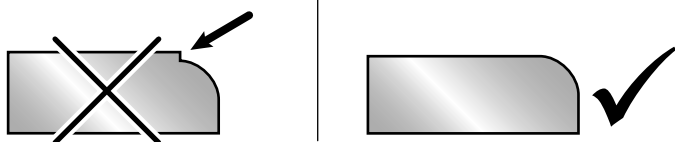


- Baje la fresadora al nivel del primer tope [11.1] para el paso de fresado preliminar;
- Baje la fresadora al nivel del segundo tope [11.2] para completar el procedimiento de fresado.

Este procedimiento posibilita el fresado rápido a una profundidad considerable, pero con una buena calidad de superficie. La profundidad de fresado final se define ajustando el nivel del tope [11.2].

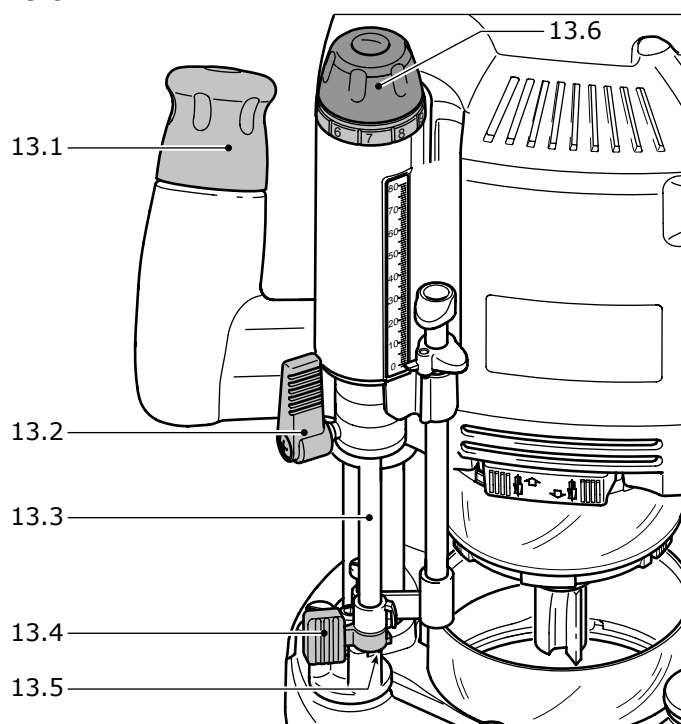
Ajuste preciso para el tratamiento de cantos

La máquina dispone de un ajuste preciso especial para las herramientas de fresado con un anillo de ataque, que le permite un ajuste rápido y fácil de la precisión antes de que se redondeen las puntas y que evita los offsets.



En primer lugar, preajuste aproximadamente la profundidad de fresado y realice una prueba. A continuación, ajuste la profundidad de fresado con más precisión:

- Abra la palanca de apriete [13.2].
- Empuje el tope de profundidad [13.3] contra el tope fijo C [13.5].
- Sujete el tope de profundidad utilizando la excéntrica [13.4] en el tope escalonado (girar en el sentido de las agujas del reloj).
- Cierre la palanca de apriete [13.2].
- Desatornille el botón giratorio [13.1].
- Gire la rueda de ajuste [13.6] para fijar la profundidad de fresado con más precisión.



- ▶ La profundidad de fresado puede ajustarse en ambas direcciones porque el tope de profundidad está conectado con el tope escalonado.
- Apriete el botón giratorio [13.1].
- Abra la excéntrica [13.4] (girar en el sentido contrario a las agujas del reloj).
- Realice más pruebas y efectúe los ajustes convenientes si fuera necesario.

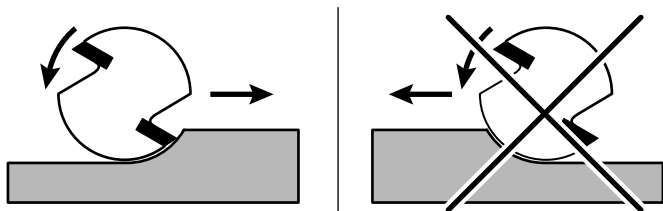
Manejo de la fresadora

⚠️ ADVERTENCIA Asegúrese siempre de que las piezas de trabajo están fijadas de forma segura y no pueden moverse durante el fresado. Si no fuera así, habrá un gran riesgo de accidente. Utilice abrazaderas u otros dispositivos adecuados para fijar las piezas de trabajo.

⚠️ ADVERTENCIA La máquina se debe sujetar en todo momento con ambas manos en las empuñaduras correspondientes.

⚠️ ADVERTENCIA Encienda siempre la fresadora antes de poner en contacto la herramienta con la pieza de trabajo.

⚠️ ADVERTENCIA Deslice siempre la fresadora en la dirección de corte de la cuchilla (fresado en contra).



Procedimiento:

- Preajuste la profundidad de fresado deseada.
- Encienda la máquina.
- Desatornille el botón giratorio [13.1].
- Empuje la máquina hacia abajo tanto como le sea posible.
- Sujete la máquina en esta posición apretando el botón giratorio [13.1].
- Realice el trabajo de fresado.
- Afloje el botón giratorio [13.1].
- Mueva la máquina lentamente hacia arriba hasta alcanzar el tope.
- Apague la máquina.

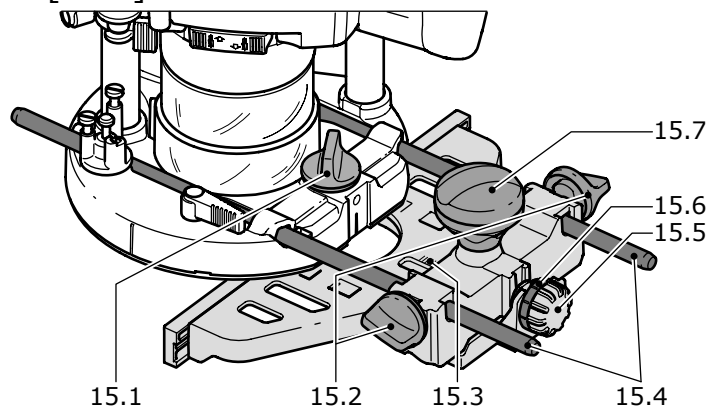
Métodos de guiado de la máquina

a) Fresado con tope lateral

El tope lateral (en parte como accesorio) está colocado en paralelo con el borde de la pieza de trabajo.

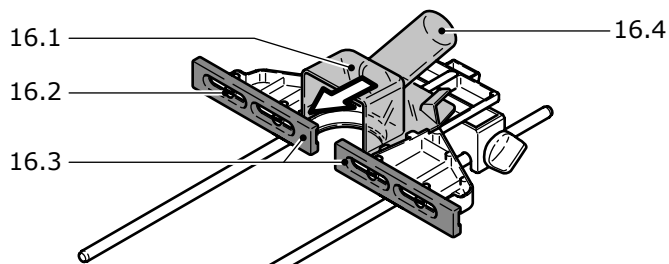
- Asegure ambas bielas guía [15.4] con los dos botones giratorios [15.2] en el tope lateral.
- Inserte las bielas guía en las ranuras de la mesa de fresar a la distancia requerida,

y asegúrelas girando el botón giratorio [15.1].



Ajuste fino

- Desatornille el botón giratorio [15.7] para efectuar ajustes finos con la rueda de ajuste [15.5]. El anillo de ajuste [15.6] tiene una escala de 0,1 mm para este fin. Si la rueda de ajuste está segura, se puede girar independientemente el anillo de ajuste y fijarlo a "Cero". La escala milimétrica [15.3] situada en el revestimiento principal sirve para realizar ajustes mayores.
- Apriete el botón giratorio [15.7] de nuevo tras completar cualquier ajuste fino.



- Ajuste ambas mordazas de guía [16.3] para que se queden a aprox. 5 mm de la punta de la fresadora. Para ello, afloje los tornillos [16.2] y apriételos de nuevo tras completar los ajustes.
- Únicamente para el fresado sobre un canto: deslice la caperuza de aspiración [16.1] hasta que se pegue a la posición del tope lateral y conecte el manguito de aspiración de 27 mm ó 36 mm de diámetro al racor de aspiración [16.4]. Alternativamente, deje que la máquina aspire el polvo por medio del racor de aspiración.

b) Fresado de copias

Cuando realice el fresado con plantillas, coloque un anillo copiator integrado en la fresadora (accesorio).

i Observación:

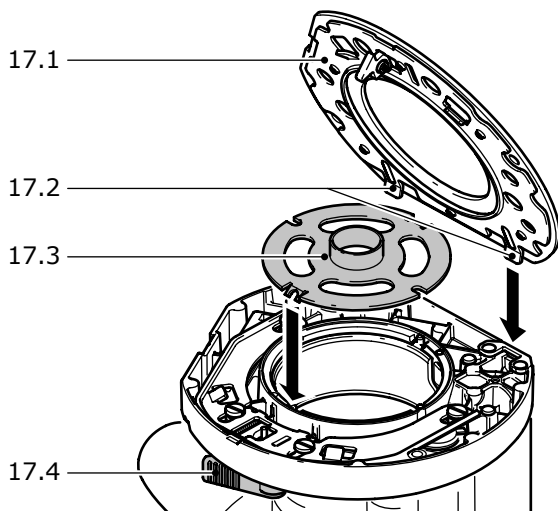
- ▶ Los anillos copiator pueden utilizarse combinados con la banda de rodadura de

serie. Hay una banda de rodadura especial disponible como accesorio para mejorar la superficie de contacto.

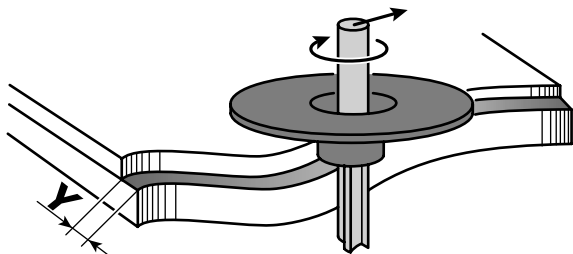
⚠ ADVERTENCIA Una herramienta de fresado demasiado grande podría dañar el anillo copiador y provocar accidentes. Asegúrese de que la herramienta de fresado encaja en la abertura del anillo copiador.

Procedimiento:

- Coloque la máquina sobre un lateral en una superficie de apoyo estable.
- Abra la palanca [17.4].
- Extraiga la banda de rodadura [17.1].
- Afloje la palanca [17.4] de nuevo.
- Inserte un anillo copiador [17.3] en la posición correcta sobre la mesa de fresar.
- Inserte las lengüetas [17.2] de la banda de rodadura en la mesa de fresar.
- Empuje la banda de rodadura hacia abajo hasta que se ajuste en la mesa de fresar.



El saliente Y de la pieza de trabajo relacionado con la plantilla se calcula como sigue:



$Y = \frac{1}{2}$ (diámetro del anillo copiador menos el diámetro de la punta de la fresadora)

c) Tratamiento de cantos

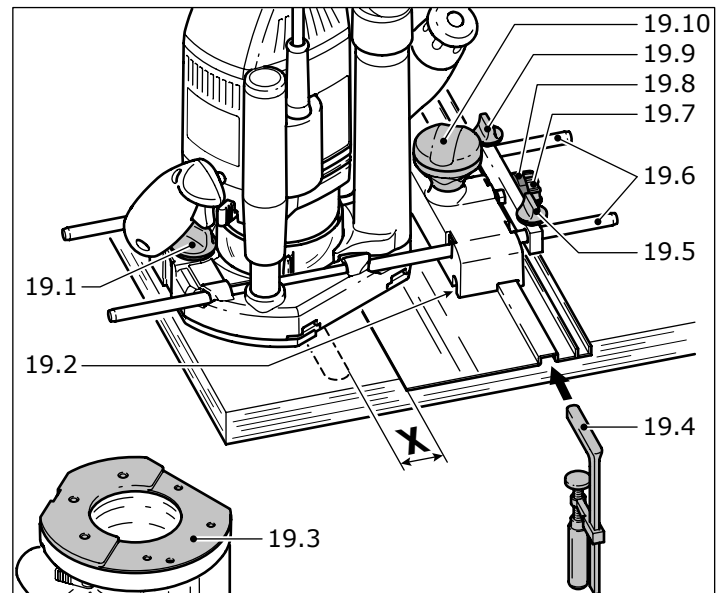
Las herramientas de fresado con un anillo de ataque son necesarias cuando la máquina se utiliza para el tratamiento de cantos. En estos casos se guía a la máquina de tal modo que el anillo de ataque gira por fuera de la pieza de trabajo.

Al tronzar los cantos, utilice siempre el derivador de virutas KSF-OFF para mejorar la aspiración del polvo.

d) Fresado con un sistema de guía FS

El sistema de guía (en parte como accesorio) hace más fácil el fresado directo de ranuras.

- Asegure el riel de guía en la pieza de trabajo utilizando pinzas [19.4].
- Inserte la banda de rodadura [19.3] para el tope de guía en la mesa de fresar (consulte "Cambio de la banda de rodadura").
- Esta banda de rodadura está en offset para compensar la altura del riel de guía.
- Asegure ambas bielas guía [19.6] con los botones giratorios [19.5] y [19.9] en el tope de guía.
- Desatornille el botón giratorio [19.1].
- Inserte ambas bielas guías [19.6] en las ranuras de la mesa de fresar.



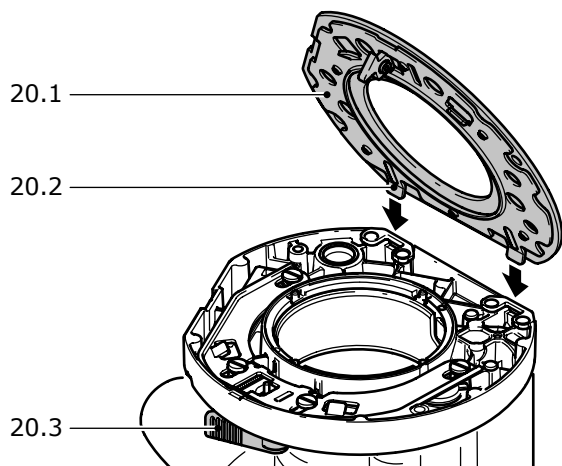
- Coloque la fresadora con el tope de guía en el riel de guía.
- Si fuera necesario, puede ajustar el margen del tope de guía en el riel de guía ajustando las dos mordazas de guía [19.2] con un destornillador convencional.
- Deslice la fresadora sobre las bielas guía hasta que la herramienta de fresado alcance la distancia X deseada desde el riel de guía.
- Atornille el botón giratorio [19.1].
- Desatornille el botón giratorio [19.10].
- Gire la rueda de ajuste [19.7] para ajustar la distancia X con más precisión.
- Sujete la rueda de ajuste [19.7] para colocar la escala [19.8] en la posición "cero" de forma independiente.

- Atornille el botón giratorio [19.10].

Cambio de la banda de rodadura

Festool ofrece bandas de rodadura especiales (como accesorio) para diferentes aplicaciones.

Cambie la banda de rodadura como sigue:



- Coloque la máquina sobre un lateral en una superficie de apoyo estable.
- Abra la palanca [20.3].
- Extraiga la banda de rodadura [20.1].
- Afloje la palanca [20.3] de nuevo.
- Inserte las lengüetas [20.2] de la banda de rodadura en la mesa de fresar.
- Empuje la banda de rodadura hacia abajo hasta que se ajuste en la mesa de fresar.

Procesamiento de aluminio

ADVERTENCIA Por razones de seguridad, cuando trabaje con aluminio deberá tener en cuenta las siguientes precauciones:

- Preconecte el interruptor de corriente residual.
- Conecte la máquina a un aspirador.
- Limpie regularmente la herramienta de las acumulaciones de polvo en la carcasa del motor.
- Utilice gafas de protección.

Accesorios, herramientas

ADVERTENCIA Por razones de seguridad, utilice únicamente accesorios y herramientas Festool originales.

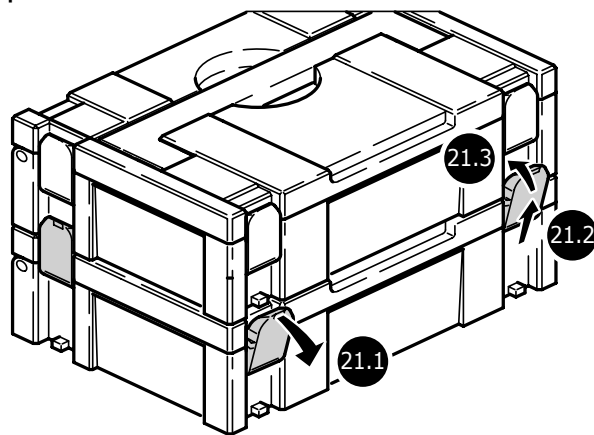
Festool le ofrece un completo surtido de accesorios para su fresadora:

- Herramientas de fresado para diferentes aplicaciones.
- Rieles de guía para el fresado en recto.
- Superficies de rodadura para diferentes aplicaciones.

El número de pedido de los accesorios y las herramientas figura en el catálogo Festool o en Internet en www.festool-usa.com.

Systainer

Muchos de los productos Festool se entregan en un embalaje exclusivo denominado "Systainer" que sirve de protección a la herramienta y sus complementos, además de facilitar su almacenamiento. Los Systainer pueden apilarse y encajan unos con otros. Además se adaptan sin problema a cualquier aparato de aspiración CT de Festool.



- Coloque un Systainer sobre otro.
- Abra los cuatro enganches del Systainers de abajo tirando de sus extremos superiores (21.1).
- Deslice los cuatro enganches hacia arriba (21.2).
- Presione los cuatro enganches hasta que queden planos (21.3) y puedan así acoplarse en los soportes del Systainer colocado encima.

Servicio y mantenimiento

⚠️ ADVERTENCIA Cualquier trabajo de mantenimiento o reparación que requiera abrir el motor o la carcasa del engranaje deberá ser realizado únicamente por un Centro de Atención al Cliente (nombre proporcionado por su concesionario). Los trabajos de mantenimiento o reparación realizados por una persona no autorizada podrían provocar la conexión incorrecta de los conductores de alimentación u otros componentes, lo que a su vez podría provocar accidentes con consecuencias graves.

⚠️ ADVERTENCIA Para prevenir los accidentes, antes de realizar cualquier trabajo de mantenimiento o reparación en la máquina retire siempre el enchufe de la toma de corriente. No utilice aire a presión para limpiar las herramientas eléctricas. No intente limpiar las partes internas de la máquina de este modo, ya que podría permitir la entrada de objetos extraños a través de las aperturas de la carcasa de la máquina.

⚠️ PRECAUCION Algunos productos de limpieza y disolventes resultan perjudiciales para las piezas de plástico. Entre otros, se incluyen: gasolina, cloruro de carbonilo, soluciones de limpieza que contengan cloro, amoníaco y productos de limpieza domésticos con amoníaco.

- Para garantizar la circulación de aire, los ventiladores de aire frío de la carcasa del motor deberán conservarse siempre limpios y despejados.
- Esta unidad está equipada con unos cepillos de carbón especiales que se desconectan automáticamente. Cuando se desgastan, la corriente se apaga automáticamente, y con ella la unidad. En este caso, lleve la unidad a un Centro de Atención al Cliente para que cambien los cepillos de carbón.

Garantía

Condiciones de la Garantía 1 + 2

Usted tiene derecho a una garantía extendida gratuita (1 año + 2 años = 3 años) para su herramienta mecánica Festool. Festool se hará responsable por los gastos de envío durante el primer año de garantía. Durante el segundo y tercer año de garantía el cliente es responsable por el costo del envío de la herramienta a Festool. Festool pagará el embarque de regreso al cliente usando UPS Ground Service. Todo el servicio de garantía es válido por 3 años desde la fecha de la compra de acuerdo a la fecha de su recibo o factura de compra.

Garantía limitada de Festool

Esta garantía es válida con la condición previa de que la herramienta se usa y opera de conformidad con las instrucciones de operación de Festool. Festool garantiza, sólo al comprador original, que la herramienta especificada estará libre de defectos de fabricación y materiales durante un periodo de un año a partir de la fecha de compra. Festool no otorga otras garantías, ni explícitas ni implícitas para ninguna de las herramientas mecánicas portátiles Festool. Ningún agente, representante, distribuidor, comerciante o empleado de Festool está autorizado para extender o modificar de cualquier manera las obligaciones o limitaciones de esta garantía. Las obligaciones de Festool, a su propia entera discreción, están limitadas a la reparación o sustitución de cualquier herramienta portátil Festool que se encuentre estar defectuosa en el momento de ser embalada junto con el manual de usuario.

Quedan excluidos de la cobertura en esta garantía: el desgaste normal; los daños causados por uso indebido, el abuso o negligencia; los daños causados por cualquier otra causa que no sean defectos del material o de la fabricación. Esta garantía no aplica a accesorios como cuchillas de sierras circulares, brocas de taladro, barrenas de buriladora, cuchillas de sierra, cuchillas para sierras de calado, correas de lijadoras y ruedas de esmeril. También se excluyen las "partes que se desgastan" como cepillos de carbón, laminillas de herramientas

de aire, collarines de hule y sellos, discos y cojines de lijado, y baterías.

Las herramientas mecánicas portátiles Festool que requieran de reemplazo o reparación deben devolverse con el recibo de compra a Festool (llame al 800-554-8741 para los detalles de la dirección).

EN NINGÚN CASO FESTOOL SE HARÁ RESPONSABLE POR LOS DAÑOS SECUNDARIOS O CONSECUENTES OCASIONADOS POR LA VIOLACIÓN DE ESTA O CUALQUIER OTRA GARANTÍA, SEA EXPLÍCITA O IMPLÍCITA. TODAS LAS GARANTÍAS IMPLICADAS POR LEYES ESTATALES, INCLUYENDO LAS GARANTÍAS IMPLICADAS DE COMERCIALIZACIÓN Y ADECUACIÓN A UN PROPÓSITO PARTICULAR, QUEDAN LIMITADAS A TRES AÑOS DE DURACIÓN.

Algunos estados de EE.UU. y algunas provincias de Canadá no permiten las limitaciones en cuanto a la duración de las garantías implícitas, de modo que la limitación arriba indicada puede que no le afecte. A excepción de algunas garantías implicadas por leyes estatales o provinciales, limitadas por la presente, la anteriormente citada garantía, expresamente limitada, es exclusiva y sustituye a cualquier otra garantía, acuerdo u obligación similar de Festool.

Esta garantía le concede derechos legales específicos y usted podría tener otros derechos legales que varían de estado a estado en EE.UU. y de provincia a provincia en Canadá.

Free Manuals Download Website

<http://myh66.com>

<http://usermanuals.us>

<http://www.somanuals.com>

<http://www.4manuals.cc>

<http://www.manual-lib.com>

<http://www.404manual.com>

<http://www.luxmanual.com>

<http://aubethermostatmanual.com>

Golf course search by state

<http://golfingnear.com>

Email search by domain

<http://emailbydomain.com>

Auto manuals search

<http://auto.somanuals.com>

TV manuals search

<http://tv.somanuals.com>