

# FESTOOL

ETS 150/3 EQ  
ETS 150/5 EQ



## Instruction manual

## Eccentric sander

Page 2 - 6

**IMPORTANT:** Read and understand all instructions before using.

## Guide d'utilisation

## Ponceuse excentrique

Page 7 - 11

**IMPORTANT:** Lire et comprendre toutes les instructions avant de démarrer les travaux.

## Manual de instrucciones

## Lijadora excéntrica

Página 12 - 16

**IMPORTANTE:** Lea y comprende todas las instrucciones antes de usar.

464 760\_004

## GENERAL SAFETY RULES

**WARNING! Read and understand all instructions.** Failure to follow all instructions listed below, may result in electric shock, fire and/or serious personal injury.

### SAVE THESE INSTRUCTIONS

#### Work area

**1 Keep your work area clean and well lit.** Cluttered benches and dark areas invite accidents.

**2 Do not operate power tools in explosive atmospheres, such as in the presence of flammable liquids, gases, or dust.** Power tools create sparks which may ignite the dust or fumes.

**3 Keep bystanders, children, and visitors away while operating a power tool.** Distractions can cause you to lose control.

#### Electrical safety

**4a Grounded tools must be plugged into an outlet properly installed and grounded in accordance with all codes and ordinances. Never remove the grounding prong or modify the plug in any way. Do not use any adapter plugs. Check with a qualified electrician if you are in doubt as to whether the outlet is properly grounded.** If the tools should electrically malfunction or break down, grounding provides a low resistance path to carry electricity away from the user.

**4b Double insulated tools are equipped with a polarized plug (one blade is wider than the other.) This plug will fit in a polarized outlet only one way.** If the plug does not fit fully in the outlet, reverse the plug. If it still does not fit, contact a qualified electrician to install a polarized outlet. Do not change the plug in any way. Double insulation  $\square$  eliminates the need for the three wire grounded power cord and grounded power supply system.

**5 Avoid body contact with grounded surfaces such as pipes, radiators, ranges and refrigerators.** There is an increased risk of electric shock if your body is grounded.

**6 Don't expose power tools to rain or wet conditions.** Water entering a power tool will increase the risk of electric shock.

**7 Do not abuse the cord. Never use the cord to carry the tools or pull the plug from an outlet. Keep cord away from heat, oil, sharp edges or moving parts. Replace damaged cords immediately.** Damaged cords increase the risk of electric shock.

**8 When operating a power tool outside, use an outdoor extension cord marked "W-**

**A" or "W".** These cords are rated for outdoor use and reduce the risk of electric shock.

#### Personal safety

**9 Stay alert, watch what you are doing and use common sense when operating a power tool. Do not use while tired or under the influence of drugs, alcohol, or medication.** A moment of inattention while operating power tools may result in serious personal injury.

**10 Dress properly. Do not wear loose clothing or jewellery. Contain long hair. Keep your hair, clothing, and gloves away from moving parts.** Loose clothes, jewellery, or long hair can be caught in moving parts.

**11 Avoid accidental starting. Be sure switch is off before plugging in.** Carrying tools with your finger on the switch or plugging in tools that have the switch on invites accidents.

**12 Remove adjusting keys or switches before turning the tool on.** A wrench or key that is left attached to a rotating part of the tool may result in personal injury.

**13 Do not overreach. Stand on both feet and keep proper footing and balance at all times.** Proper footing and balance enables better control of the tool in unexpected situations.

**14 Use safety equipment. Always wear eye protection.** Dust mask, non-skid safety shoes, hard hat, or hearing protection must be used for appropriate conditions.

#### Tool use and care

**15 Use clamps or other practical way to secure and support the workpiece to a stable platform.** Holding the work by hand or against your body is unstable and may lead to loss of control.

**16 Do not force tool. Use the correct tool for your application.** The correct tool will do the job better and safer at the rate for which it is designed.

**17 Do not use tool if switch does not turn it on or off.** Any tool that cannot be controlled with the switch is dangerous and must be repaired.

**18 Disconnect the plug from the power source before making any adjustments, changing accessories, or storing the tool.** Such preventive safety measures reduce the risk of starting the tool accidentally.

**19 Store idle tools out of reach of children and other untrained persons.** Tools are dangerous in the hands of untrained users.

**20 Maintain tools with care. Keep cutting tools sharp and clean.** Properly maintained tools, with sharp cutting edges are less likely to bind and are easier to control.

**21 Check for misalignment or binding of moving parts, breakage of parts, and any other condition that may affect the tools operation. If damaged, have the tool serviced before using.** Many accidents are caused by poorly maintained tools.

**22 Use only accessories that are recommended by the manufacturer for your model.** Accessories that may be suitable for one tool, may become hazardous when used on another tool.

### Service

**23 Tool service must be performed only by qualified repair personnel.** Service or maintenance performed by unqualified personnel could result in a risk of injury.

**24 When servicing a tool, use only identical replacement parts. Follow instructions in the Maintenance section of this manual.** Use of unauthorised parts or failure to follow Maintenance instructions may create a risk of electric shock or injury.

**⚠ WARNING** Various dust created by power sanding, sawing, grinding, drilling and other construction activities contains chemicals known (to the State of California) to cause cancer, birth defects or other reproductive harm. Some examples of these chemicals are:

- lead from lead-based paints,
- crystalline silica from bricks and cement and other masonry products, and
- arsenic and chromium from chemically-treated lumber.

The risk from these exposures varies, depending on how often you do this type of work.



To reduce your exposure to these chemicals: work in a well ventilated area, and work with approved safety equipment, such as dust masks that are specially designed to filter out microscopic particles.

Technical data		ETS 150/3 EQ	ETS 150/5 EQ
Wattage	W	310	310
No load speed	rpm	6 000 - 10 500	6 000 - 10 500
No. of strokes	spm	12 000 - 21 000	12 000 - 21 000
Sanding stroke	mm (in.)	3.0 (0.12)	5.0 (0.20)
Sanding base, Ø	mm (in.)	150 (5.9)	150 (5.9)
Weight	kg (lbs)	1.8 (4.0)	1.8 (4.0)
Safety level		☑ UL 745, CSA C22.2 No. 745	

### Symbols

V	Volts
A	Amperes
Hz	Hertz
W	Watt
~	Alternating current
n <sub>0</sub>	No load speed
☑	Class II Construction
rpm	Revolutions per minute
spm	Strokes per minute
Ø	Diameter

### Intended use

The sanders are designed for sanding wood, plastic, composite materials, paint / varnish, filling material and similar materials.

Metal and materials with an asbestos content must not be processed with these tools.

The machines must not be damp nor operated in a damp environment for electrical safety reasons. The machines may only be used for dry sanding.

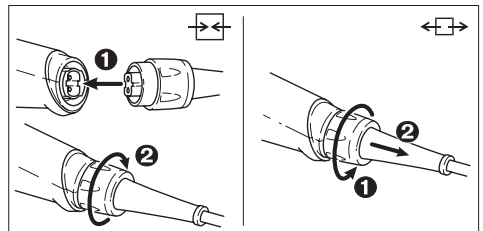
**⚠ WARNING** The user bears sole responsibility for any damage or accidents resulting from incorrect use.

### Electrical connection and operation

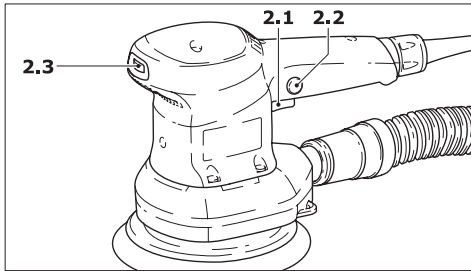
The mains voltage must correspond with the voltage on the rating plate!

See the following figure for connection and disconnection of the power cable.

**⚠ WARNING** Always switch the machine off before connecting or disconnecting the power cable!



Switch (2.1) is an on/off switch. For continuous use it can be engaged with the lateral locking button (2.2). Pressing the switch again releases the lock.



### Electronic control



The ETS 150/3 EQ, ETS 150/5 EQ has an electronic control with which the rotational speed can be varied step-free.

This allows the sanding speed to be adapted to the optimum level according to the material concerned. The speed is set using the rotary control button (2.3).

The numbers on the rotary control button represent approximately the following strokes per minute:

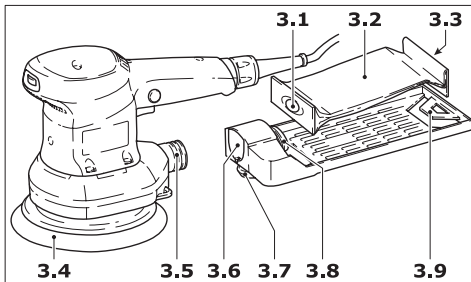
strokes per min			
1	12 000	4	17 500
2	14 000	5	19 000
3	16 000	6	21 000

### Dust extraction



Dust extractors prevent large accumulations of dust in the air in the working environment and dirt collecting in the workplace.

### Inboard extraction



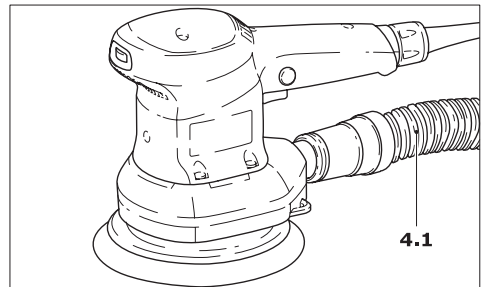
The machines are fitted with inbuilt extraction as standard. The sanding dust is extracted through suction openings in the sanding base (3.4) and trapped in the turbo-filter (3.2).

The turbo-filter has to be changed when it is so full of dust that the extraction power diminishes.

### Inserting a turbo-filter

- Push the front cardboard section of the turbo-filter with the sealing lip (3.1) onto the extraction nozzle (3.8) of the filter holder
- Insert rear cardboard section with slot (3.3) onto the retaining strip (3.9) of the filter holder
- Push the filter holder with its opening (3.6) as far as it will go onto the extraction nozzle (3.5) of the machine and clamp tight by turning rotary knob (3.7).

### External extraction by an extraction unit



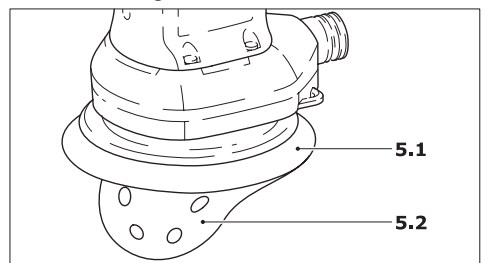
In order to avoid frequent changing of the turbo-filter when carrying longer sanding jobs, it is possible to connect a Festool extractor to the unit instead of using inbuilt extraction.

In this case, the extraction pipe (Ø 27 mm (4.1)) of the extraction unit is connected to the suction nozzle.

### Attaching sanding material



The appropriate Stickfix sanding paper and Stickfix sanding felt can be fastened quickly and easily onto the Stickfix sanding base.



The self-adhesive sanding material (5.2) is simply pressed onto the sanding base (5.1) and held safely in place by the Stickfix sanding base velcro surface.

## Choice and installation of the grinding disks

The appliance can be fitted with three grinding disks (5.1) of different hardness depending on the surface to be treated.

- **Hard:** coarse grinding on surfaces, grinding at edges.
- **Soft:** universal for coarse and fine grinding, for flat and curved surfaces.
- **Super-soft:** fine grinding on formed parts, curves, radii. Do not use on edges!

The grinding disks and the tool-holding fixture on the appliance are equipped with a positive holder (6.1).

**CAUTION** Make sure the grinding disk is correctly positioned before screwing it tight.

## Working with the machine

**WARNING** Never overload the tool by using too much pressure! The best sanding results are achieved when applying moderate pressure. The ETS 150/3 EQ gives the best surface quality and low abrasion. The ETS 150/5 EQ provides high abrasion with good surface quality. The sanding performance and quality depend mainly on the choice of the right sanding material. Festool offers the appropriate sanding material for all applications (see Festool catalogue or on the Internet under "www.festool.com"). We recommend the following settings on the rotary control (2.3) for electronic machines:

### 5 - 6

- sanding with max. drive
- sanding old paint
- sanding wood and veneer prior to painting
- interim sanding of paint on surfaces

### 4 - 5

- sanding of thinly applied primer
- sanding of wood with sanding vlies
- sanding edges on wooden parts
- smoothing primed wooden surfaces.

### 3 - 4

- sanding full wooden and veneer edges
- sanding in the grooves/rebates of windows and doors
- interim paint sanding on edges
- pre-sanding natural wood windows with sanding vlies
- smoothing wood surfaces with sanding felt prior to staining
- rubbing down stained surfaces with sanding vlies

- rubbing down or removing excess lime paste with sanding vlies

### 2 - 3

- interim paint sanding on stained surfaces
- cleaning natural wood window grooves with sanding felt

### 1 - 2

- sanding stained edges
- sanding thermoplastic synthetics

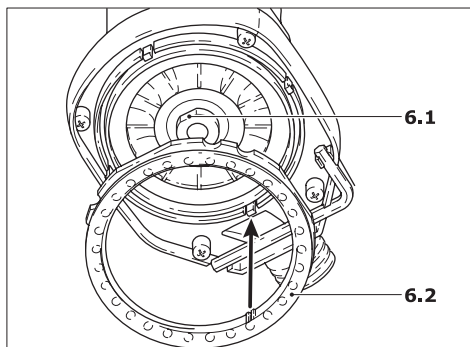
## Maintenance and care

**WARNING** Any maintenance or repair work requiring the motor housing to be opened may only be carried out by an authorised service workshop. Maintenance or repair work carried out by an unauthorised person can lead to the wrong connection of the power leads or other components, which in turn can lead to accidents with serious consequences.

**WARNING** Always remove the plug from the mains supply socket before carrying out any work on the machine!

Always keep the machine and the ventilation slots clean.

## Sanding base brakes



The sanding base is braked by a collar (6.2) in order to prevent any uncontrolled excessive speed of the sanding base. Because the collar wears down in the course of time, it has to be replaced by a new one (order no. 453 388) as soon as there is any reduction in the braking effect.

## Accessories, tools

**WARNING** For safety reasons, only use original Festool accessories and tools!

The accessory and tool order number can be found in the Festool catalogue or on the Internet under "www.festool-usa.com".

## Warranty

### Conditions of 1+2 Warranty

You are entitled to a free extended warranty (1 year + 2 years = 3 years) for your Festool power tool. Festool shall be responsible for all shipping costs during the first year of the warranty. During the second and third year of the warranty the customer is responsible for shipping the tool to Festool. Festool will pay for return shipping to the customer using UPS Ground Service. All warranty service is valid 3 years from the date of purchase on your receipt or invoice.

### Festool Limited Warranty

This warranty is valid on the pre-condition that the tool is used and operated in compliance with the Festool operating instructions. Festool warrants, only to the original consumer purchaser, that the specified tool will be free from defects in materials and workmanship for a term of one year from the date of procurement. Festool makes no other warranty, express or implied, for Festool portable power tools. No agent, representative, distributor, dealer or employee of Festool has the authority to increase or otherwise change the obligations or limitations of this warranty. The obligations of Festool in its sole discretion under this warranty shall be limited to the repair or replacement of any Festool portable power tool that is found to be defective as packaged with the User Manual.

Excluded from coverage under this warranty are: normal wear and tear; damages caused by misuse, abuse or neglect; damage caused

by anything other than defects in material and workmanship. This warranty does not apply to accessory items such as circular saw blades, drill bits, router bits, jigsaw blades, sanding belts, and grinding wheels. Also excluded are "wearing parts", such as carbon brushes, lamellas of air tools, rubber collars and seals, sanding discs and pads, and batteries.

Festool portable power tools requiring replacement or repair are to be returned with the receipt of purchase to Festool (call 800-554-8741 for address details).

**IN NO EVENT SHALL FESTOOL BE LIABLE FOR ANY CONSEQUENTIAL OR INCIDENTAL DAMAGES FOR BREACH OF THIS OR ANY OTHER WARRANTY, EXPRESSED OR IMPLIED WHATSOEVER. ALL WARRANTIES IMPLIED BY STATE LAW, INCLUDING THE IMPLIED WARRANTIES OF MERCHANTABILITY AND FITNESS FOR A PARTICULAR PURPOSE, ARE HEREBY LIMITED TO THE DURATION OF THREE YEARS.**

Some states in the U.S. and some Canadian provinces do not allow the limitations on how long an implied warranty lasts, so the above limitation may not apply to you. With the exception of any warranties implied by state or province law as hereby limited, the foregoing express limited warranty is exclusive and in lieu of all other warranties, guarantees, agreements and similar obligations of Festool.

This warranty gives you specific legal rights and you may also have other rights which vary from state to state in the U.S. and province to province in Canada.

## RÈGLES DE SÉCURITÉ GÉNÉRALES

**AVERTISSEMENT! Vous devez lire et comprendre toutes les instructions.** Le non-respect, même partiel, des instructions ci-après entraîne un risque de choc électrique, d'incendie et/ou de blessures graves.

### CONSERVEZ CES INSTRUCTIONS

#### Aire de travail


**1 Veillez à ce que l'aire de travail soit propre et bien éclairée.** Le désordre et le manque de lumière favorisent les accidents.

**2 N'utilisez pas d'outils électriques dans une atmosphère explosive, par exemple en présence de liquides, de gaz ou de poussières inflammables.** Les outils électriques créent des étincelles qui pourraient enflammer les poussières ou les vapeurs.

**3 Tenez à distance les curieux, les enfants et les visiteurs pendant que vous travaillez avec un outil électrique.** Ils pourraient vous distraire et vous faire une fausse manœuvre.

#### Sécurité électrique

**4a Les outils mis à la terre doivent être branchés dans une prise de courant correctement installée et mise à terre conformément à tous les codes et règlements pertinents. Ne modifiez jamais la fiche de quelque façon que ce soit, par exemple en enlevant la broche de mise à la terre. N'utilisez pas d'adaptateur de fiche. Si vous n'êtes pas certain que la prise de courant est correctement mise à la terre, adressez-vous à un électricien qualifié.** En cas de défaillance ou de défectuosité électrique de l'outil, une mise à la terre offre un trajet de faible résistance à l'électricité qui autrement risquerait de traverser l'utilisateur.

**4b Les outils à double isolation sont équipés d'une fiche polarisée (une des lames est plus large que l'autre), qui ne peut se brancher que d'une seule façon dans une prise polarisée.** Si la fiche n'entre pas parfaitement dans la prise, inversez sa position; si elle n'entre toujours pas bien, demandez à un électricien qualifié d'installer une prise de courant polarisée. Ne modifiez pas la fiche de l'outil. La double isolation  élimine le besoin d'un cordon d'alimentation à trois fils avec mise à la terre ainsi que d'une prise de courant mise à la terre.

**5 Évitez tout contact corporel avec des surfaces mises à la terre (tuyauterie, radiateurs, cuisinières, réfrigérateurs, etc.).** Le risque de choc électrique est plus grand si votre corps est en contact avec la terre.

**6 N'exposez pas les outils électriques à la pluie ou à l'eau.** La présence d'eau dans un

outil électrique augmente le risque de choc électrique.

**7 Ne maltraitez pas le cordon. Ne transportez pas l'outil par son cordon et ne débranchez pas la fiche en tirant sur le cordon. N'exposez pas le cordon à la chaleur, à des huiles, à des arêtes vives ou à des pièces en mouvement. Remplacez immédiatement un cordon endommagé.** Un cordon endommagé augmente le risque de choc électrique.

**8 Lorsque vous utilisez un outil électrique à l'extérieur, employez un prolongateur pour l'extérieur marqué "W.A." ou "W".** Ces cordons sont faits pour être utilisés à l'extérieur et réduisent le risque de choc électrique.

#### Sécurité des personnes

**9 Restez alerte, concentrez-vous sur votre travail et faites preuve de jugement. N'utilisez pas un outil électrique si vous êtes fatigué ou sous l'influence de drogues, d'alcool ou de médicaments.** Un instant d'inattention suffit pour entraîner des blessures graves.

**10 Habitez-vous convenablement. Ne portez ni vêtements flottants ni bijoux. Confinez les cheveux longs. N'approchez jamais les cheveux, les vêtements ou les gants des pièces en mouvement.** Des vêtements flottants, des bijoux ou des cheveux longs risquent d'être happés par des pièces en mouvement.

**11 Méfiez-vous d'un démarrage accidentel. Avant de brancher l'outil, assurez-vous que son interrupteur est sur ARRÊT.** Le fait de transporter un outil avec le doigt sur la détente ou de brancher un outil dont l'interrupteur est en position MARCHE peut mener tout droit à un accident.

**12 Enlevez les clés de réglage ou de serrage avant de démarrer l'outil.** Une clé laissée dans une pièce tournante de l'outil peut provoquer des blessures.

**13 Ne vous penchez pas trop en avant. Maintenez un bon appui et restez en équilibre en tout temps.** Une bonne stabilité vous permet de mieux réagir à une situation inattendue.

**14 Utilisez des accessoires de sécurité. Portez toujours des lunettes ou une visière.** Selon les conditions, portez aussi un masque antipoussière, des bottes de sécurité antidérapantes, un casque protecteur et/ou un appareil antibruit.

#### Utilisation et entretien des outils

**15 Immobilisez le matériau sur une surface stable au moyen de brides ou de toute autre façon adéquate.** Le fait de tenir la pièce avec la main ou contre votre corps offre une stabilité insuffisante et peut amener un dérapage de l'outil.



**16 Ne forcez pas l'outil. Utilisez l'outil approprié à la tâche.** L'outil correct fonctionne mieux et de façon plus sécuritaire. Respectez aussi la vitesse de travail qui lui est propre.

**17 N'utilisez pas un outil si son interrupteur est bloqué.** Un outil que vous ne pouvez pas commander par son interrupteur est dangereux et doit être réparé.

**18 Débranchez la fiche de l'outil avant d'effectuer un réglage, de changer d'accessoire ou de ranger l'outil.** De telles mesures préventives de sécurité réduisent le risque de démarrage accidentel de l'outil.

**19 Rangez les outils hors de la portée des enfants et d'autres personnes inexpérimentées.** Les outils sont dangereux dans les mains d'utilisateurs novices.

**20 Prenez soin de bien entretenir les outils. Les outils de coupe doivent être toujours bien affûtés et propres.** Des outils bien entretenus, dont les arêtes sont bien tranchantes, sont moins susceptibles de coincer et plus faciles à diriger.

**21 Soyez attentif à tout désalignement ou coincement des pièces en mouvement, à tout bris ou à toute autre condition préjudiciable au bon fonctionnement de l'outil. Si vous constatez qu'un outil est endommagé, faites-le réparer avant de vous en servir.** De nombreux accidents sont causés par des outils en mauvais état.

**22 N'utilisez que des accessoires que le fabricant recommande pour votre modèle d'outil.** Certains accessoires peuvent convenir à un outil, mais être dangereux avec un autre.

### Réparation

**23 La réparation des outils électriques doit être confiée à un réparateur qualifié.** L'entretien

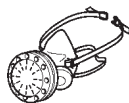
ou la réparation d'un outil électrique par un amateur peut avoir des conséquences graves.

**24 Pour la réparation d'un outil, n'employez que des pièces de rechange d'origine. Suivez les directives données à la section "Réparation" de ce manuel.** L'emploi de pièces non autorisées ou le non-respect des instructions d'entretien peut créer un risque de choc électrique ou de blessures.

**AVERTISSEMENT** Certaines poussières créées par le ponçage mécanique, le sciage, le meulage, le perçage et autres activités reliées à la construction contiennent des substances chimiques connues (dans l'État de la Californie) comme pouvant causer le cancer, des anomalies congénitales ou représenter d'autres dangers pour la reproduction. Voici quelques exemples de telles substances:

- Plomb provenant de peintures à base de plomb,
- Silice cristallisée utilisée dans les briques, le ciment et autres matériaux de maçonnerie, et
- Arsenic et chrome du bois d'œuvre traité avec un produit chimique.

Le risque d'exposition à de tels produits varie selon la fréquence à laquelle vous faites ce genre de travail.



Pour réduire les risques d'exposition à ces substances chimiques : travaillez dans un endroit adéquatement ventilé et utilisez un équipement de sécurité approuvé, tel que masques antipoussières spécialement conçus pour filtrer les particules microscopiques.

Caracteristiques techniques		ETS 150/3 EQ	ETS 150/5 EQ
Puissance absorbée	W	310	310
Vitesse à vide	tr/min	6 000 – 10 500	6 000 – 10 500
Nombre d'oscillations	tr/min	12 000 – 21 000	12 000 – 21 000
Amplitude	mm (in.)	3.0 (0.12)	5.0 (0.20)
Patin de ponçage, Ø	mm (in.)	150 (5.9)	150 (5.9)
Poids	kg (lbs)	1.8 (4.0)	1.8 (4.0)
Sécurité		☑ selon UL 745, CSA C22.2 No. 745	

Symbole	
V	Volt
A	Ampère
Hz	Hertz
W	Watt
~	Tension alternative
n <sub>0</sub>	Vitesse de rotation à vide
☑	Classe II conception
tr/min	Tours par minute
Ø	Diamètre

**Utilisation conforme**

Les ponceuses sont destinées au ponçage du bois, des matières synthétiques, des matériaux composites, de la peinture / du vernis, du mastic et des matériaux similaires.

Les métaux et du matériau comportant de l'amiante ne doivent pas être usinés.

Pour des raisons de sécurité électrique, les machines ne doivent pas être humides ni



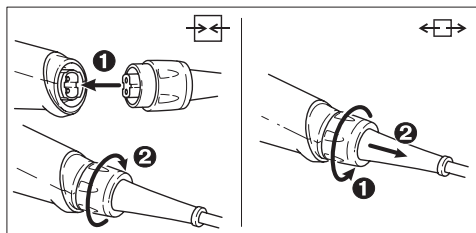
fonctionner dans un environnement humide. Il ne faut utiliser les machines que pour un ponçage sec.

**⚠️ AVERTISSEMENT** En cas d'une utilisation non conforme, la responsabilité des dommages et accidents incombe à l'utilisateur.

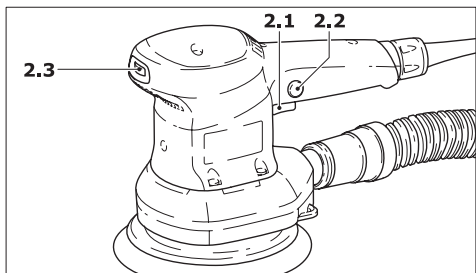
### Raccordement électrique et mise en service

La tension du réseau doit correspondre à la tension indiquée sur la plaque signalétique! Voir en figure suivante la connexion et la déconnexion du câble de raccordement au secteur.

**⚠️ AVERTISSEMENT** Avant de brancher ou de débrancher le câble de raccordement secteur, il est absolument indispensable de toujours mettre la machine hors marche!



L'interrupteur (2.1) sert d'interrupteur de marche/arrêt. Pour un fonctionnement en continu, vous pouvez le bloquer avec le bouton d'arrêt (2.2) latéral. Appuyez à nouveau sur l'interrupteur pour libérer le blocage.



### Réglage électronique



La ponceuse ETS 50/3 EQ, ETS 150/5 EQ possède un réglage électronique permettant une variation progressive de la vitesse de rotation.

Ceci permet une adaptation optimale de la vitesse du ponçage aux différents matériaux. La vitesse de rotation est réglée par la molette (2.3).

Les chiffres de la molette correspondent approximativement aux nombres de oscillations ci-après :

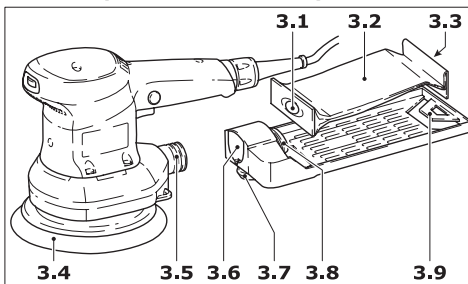
oscillations par minute			
1	12 000	4	17 500
2	14 000	5	19 000
3	16 000	6	21 000

### Aspiration de la poussière



L'aspiration de la poussière empêche des lourdes charges de l'air environnant par des poussières et des fortes salissures du lieu de travail.

### Dispositif d'auto-aspiration



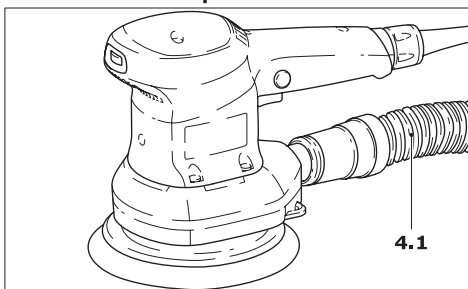
Les machines sont équipées en série d'un dispositif d'auto-aspiration. La poussière de ponçage est aspirée à travers les orifices d'aspiration du patin de ponçage (3.4) puis collectée dans le filtre turbo (3.2).

Lorsque le filtre turbo est rempli de poussières, la performance d'aspiration baisse et il faut le remplacer.

### Montage d'un filtre turbo:

- Faire glisser la partie avant du filtre avec la lèvres d'étanchéité (3.1) sur le manchon d'aspiration (3.8) du porte-filtre,
- placer la partie arrière du carton avec la fente (3.3) sur la nervure de maintien (3.9) du porte-filtre,
- placer le porte-filtre avec l'orifice (3.6) jusqu'à l'arrêt sur le manchon d'aspiration (3.5) de la machine et serrer à l'aide du bouton tournant (3.7).

### Aspiration extérieure à l'aide d'un aspirateur

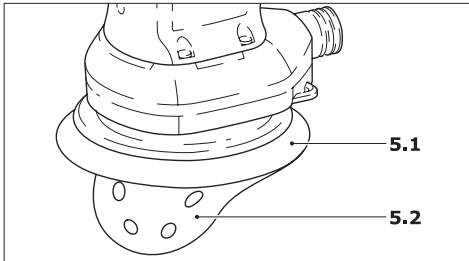


Afin d'éviter d'avoir à remplacer souvent le filtre turbo, on peut raccorder un aspirateur Festool à la place du dispositif d'auto-aspiration. Pour ce faire, le flexible d'aspiration (Ø 27 mm (4.1)) de l'aspirateur est monté sur le manchon d'aspiration.

### Fixer l'abrasif



Le patin de ponçage Stickfix permet une fixation rapide et aisée des papiers abrasifs Stickfix et des non-tissés abrasifs Stickfix adaptés.



Les abrasifs autoagrippant (5.2) sont facilement placés sur le patin de ponçage (5.1) puis maintenus en toute sécurité par le revêtement autoagrippant du patin de ponçage Stickfix.

### Choix et montage des supports de ponçage

L'appareil peut être équipé de trois disques de ponçage (5.1) de dureté différente en fonction de la surface à traiter.

- **Dur** : ponçage grossier sur des surfaces, meulage des arêtes
- **Souple** : universel pour ponçage grossier et fin de surfaces planes et bombées
- **Très souple** : ponçage fin sur des pièces formées, des cintres, des rayons. Ne pas utiliser sur des arêtes.

Les disques de ponçage et le raccordement de l'outil sur l'appareil sont équipés d'un raccordement mécanique (6.1).

**⚠ MISE EN GARDE** Avant de serrer le support, vérifiez qu'il est en position correcte.

### Travailler avec la machine

**⚠ AVERTISSEMENT** Ne surchargez pas la machine en appuyant trop fort ! Vous obtiendrez le meilleur résultat de ponçage avec une pression d'application moyenne.

Le ETS 150/3 EQ offre une excellente qualité de surface avec un faible enlèvement. Le ETS 150/5 EQ permet un enlèvement important tout en assurant une bonne qualité de surface. Le rendement et la qualité du ponçage dépendent

essentiellement de la sélection de l'abrasif adéquat. Festool propose l'abrasif approprié à chaque cas d'utilisation (cf. le catalogue Festool ou sur Internet sous „www.festool.com“).

Pour des machines électroniques nous préconisons les réglages ci-après de la molette (1.1):

#### 5 – 6

- Ponçage à entraînement max.
- Ponçage d'anciennes peintures
- Ponçage de bois et de contreplacage avant application du vernis
- Ponçage intermédiaire du vernis de surfaces

#### 4 – 5

- Ponçage d'un enduit appliqué en fine couche
- Ponçage de bois à l'aide du non-tissé de ponçage
- Réalisation de chants sur des pièces en bois
- Lissage de surfaces en bois à enduit

#### 3 – 4

- Ponçage de bordures en bois massif et contreplaquées
- Ponçage dans la rainure de fenêtres et de portes
- Ponçage intermédiaire du vernis de chants
- Ponçage de fenêtres en bois nature à l'aide du non-tissé de ponçage
- Lissage de la surface en bois avant le décapage à l'aide du non-tissé de ponçage
- Ponçage de surfaces décapées à l'aide du non-tissé de ponçage
- Ponçage ou enlèvement de la pâte de chaux superflue à l'aide du non-tissé de ponçage

#### 2 – 3

- Ponçage intermédiaire de vernis de surfaces décapées
- Nettoyage de rainures de fenêtres en bois à l'aide du non-tissé de ponçage

#### 1 – 2

- Ponçage de chants décapés
- Ponçage de matières synthétiques thermostables

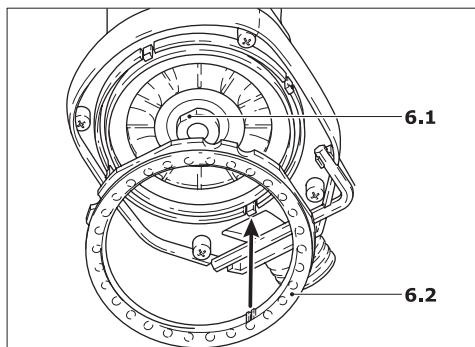
### Entretien et maintenance

**⚠ AVERTISSEMENT** Les travaux d'entretien et de réparation nécessitant une ouverture du carter moteur ne doivent être effectués que par le personnel d'un atelier autorisé du service après-vente. La maintenance ou la réparation de la machine par des personnes non autorisées peut entraîner un branchement incorrect de câbles électriques ou d'autres composants, ce qui peut provoquer des accidents avec de graves blessures.

**⚠ AVERTISSEMENT** Avant toute intervention sur la machine il faut retirer la fiche de la prise de courant!

La machine et ses ouïes de refroidissement doivent toujours rester propres.

### Blocage du patin de ponçage



Le patin de ponçage est bloqué par une collerette (6.2) afin d'éviter qu'il ne monte de façon incontrôlée. La collerette étant soumise à l'usure dans le temps, l'effet de blocage s'affaiblit, et elle doit être remplacée par une neuve (référence 453 388).

### Accessoires, outils

**⚠ AVERTISSEMENT** Pour des raisons de sécurité, il faut utiliser exclusivement des accessoires et outils d'origine Festool!

Les références des accessoires et outils figurent dans le catalogue Festool ou sur Internet sous „www.festool-usa.com“.

### Garantie

#### Conditions de la garantie (1+2 ans)

Vous avez droit à une prolongation de garantie gratuite (1 an + 2 ans = 3 ans) sur votre outil électrique Festool. Festool assumera tous les coûts d'expédition pendant la première année de la garantie alors que les deuxième et troisième années, les coûts devront être assumés par le client. Festool paiera les frais de retour de l'outil au client par service de livraison terrestre UPS. La garantie est valable pour une période de 3 ans à compter de la date d'achat indiquée sur votre reçu ou votre facture.

#### Garantie limitée de Festool

Cette garantie est valable à condition que l'outil soit utilisé conformément aux instructions de Festool. Festool garantit, à l'acheteur initial seulement, que l'outil indiqué sera exempt de tout défaut de matériau et de fabrication

pendant un an à compter de la date d'achat. Festool ne donne aucune garantie supplémentaire, implicite ou explicite, sur les instruments portables électriques Festool. Aucun agent, représentant commercial, distributeur, vendeur ou employé de Festool n'est autorisé à prolonger ou à modifier les obligations ou restrictions de la présente garantie. Les obligations de Festool sont, à son entière discrétion, limitées à la réparation ou à l'échange des outils portables électriques Festool trouvés défectueux dans le présent emballage, tels que fournis avec le présent Guide d'utilisation.

Cette garantie exclut l'usure normale, les dommages causés par un usage impropre, les abus ou la négligence, ou tout dommage autre que ceux attribuables à des défauts de matériau et de fabrication. Cette garantie ne s'applique pas aux accessoires tels que lames de scie circulaire, mèches de perceuse et vilebrequin, lames de scie sauteuse, bandes abrasives et meules. Sont également exclues les pièces d'usure, telles que balais de charbon, lamelles pour outils à air comprimé, joints et manchons de caoutchouc, disques et patins ponçeurs, ainsi que les piles.

Les outils électriques portables Festool à remplacer ou à réparer doivent être retournés avec le reçu d'achat à Festool (appelez au 800-554-8741 pour connaître l'adresse d'expédition).

**FESTOOL N'EST EN AUCUN CAS RESPONSABLE DES DOMMAGES DIRECTS OU INDIRECTS, IMPLICITES OU EXPLICITES, DÉCOULANT DE LA RUPTURE DE CETTE GARANTIE OU DE TOUTE AUTRE GARANTIE. TOUTES LES GARANTIES IMPLICITES, Y COMPRIS LES GARANTIES IMPLICITES DE QUALITÉ MARCHANDE ET D'ADÉQUATION À UN USAGE PARTICULIER, SONT LIMITÉES À UNE PÉRIODE DE TROIS ANS.**

Certains états américains et certaines provinces canadiennes ne permettent pas la limitation des garanties implicites; il se pourrait donc que les limites indiquées ci-dessus ne s'appliquent pas dans votre cas. À l'exception de certaines garanties implicites des provinces ou des états indiquées ici, la présente garantie est exclusive et remplace toute autre garantie, convention et obligation similaire de Festool.

Cette garantie vous confère des droits légaux spécifiques, et vous pouvez aussi avoir d'autres droits pouvant varier d'un état à l'autre, ou d'une province à l'autre au Canada.

## NORMAS GENERALES DE SEGURIDAD

**¡AVISO!** Lea y entienda todas las instrucciones. El incumplimiento de una sola de las instrucciones aquí listadas, puede tener como resultado una descarga eléctrica, fuego y/ o lesiones personales serias.

### CONSERVE ESTAS INSTRUCCIONES

#### Espacio de trabajo

**1 Mantenga su espacio de trabajo limpio y bien iluminado.** Bancos de trabajo desordenados y áreas oscuras facilitan accidentes.

**2 No maneje herramientas mecánicas en ambientes explosivos, como por ejemplo en presencia de líquidos inflamables, gases, o polvo.** Las herramientas mecánicas generan chispas que pueden encender el polvo o gases.

**3 Mantenga espectadores, niños, y visitantes fuera del alcance mientras maneje herramientas mecánicas.** Distracciones pueden causar la pérdida del control.

#### Seguridad eléctrica

**4a Herramientas conectadas a tierra deben estar enchufadas en una toma de corriente apropiada que esté correctamente instalada y conectada a tierra, de acuerdo con la normativa vigente. Nunca quite el diente de conexión a tierra o modifique el enchufe de alguna manera. No utilice ningún adaptador de enchufe. Compruebe con un electricista cualificado si duda de la conexión correcta a tierra de la toma de corriente.** Si las herramientas funcionaran electricamente mal o se estropearan, la conexión a tierra ofrece una vía de mínima resistencia para desviar la corriente eléctrica del usuario.

**4b Herramientas con doble aislamiento están equipadas con un enchufe polarizado (un filo es más ancho que el otro). Este enchufe solo encaja de una manera en la toma de corriente polarizada.** Si el enchufe no encaja, déle la vuelta. Si aún no encaja, contacte un electricista cualificado para instalar una toma de corriente polarizada. No modifique el enchufe de ninguna manera. El doble aislamiento  elimina la necesidad de un cable de corriente con conexión a tierra de tres hilos y un sistema de suministro de corriente conectado a tierra.

**5 Evite el contacto con superficies conectadas a tierra, como tubos, radiadores, cableado y refrigeradores.** Existe un elevado riesgo de descarga eléctrica si su cuerpo está conectado a tierra.

**6 No exponga las herramientas mecánicas a la lluvia o condiciones húmedas.** Agua que entra en una herramienta mecánica aumenta el riesgo de descarga eléctrica.

**7 No abuse del cable. Nunca use el cable para transportar la herramienta o desenchufarla de la toma de corriente. Mantenga el cable fuera de calor, aceite, filos agudos o partes móviles. Reemplace cables dañados inmediatamente.** Cables dañados aumentan el riesgo de descarga eléctrica.

**8 Cuando utilice herramientas mecánicas en el exterior, utilice un cable de exterior señalizado con «W-A» o «W».** Estos cables están clasificados para uso exterior y reducen el riesgo de descarga eléctrica.

#### Seguridad personal

**9 Manténgase atento, observe lo que está haciendo y use el sentido común cuando use una herramienta mecánica. No trabaje estando cansado o bajo influencia de drogas, alcohol, o medicamentos.** Un momento sin prestar atención mientras maneja una herramienta mecánica puede tener como resultado serias lesiones personales.

**10 Vístase apropiadamente. No lleve ropa suelta o joyas. Sujete pelo largo. Mantenga su pelo, ropa y guantes fuera del alcance de partes móviles.** Ropa, joyas y pelo suelto pueden pillarse en partes móviles.

**11 Evite accidentes al iniciar. Asegúrese que el interruptor está apagado antes de enchufar.** Transportar herramientas con el dedo en el interruptor o enchufar las herramientas con el interruptor encendido puede provocar accidentes.

**12 Quite llaves de ajuste o conmutadores antes de encender la herramienta.** Una llave inglesa u otra llave que se deja puesta en partes rotatorias de la herramienta pueden causar lesiones personales.

**13 No exceda límites. Mantenga estabilidad y balance apropiado en todo momento.** Estabilidad y balance apropiado posibilitan el mejor control de la herramienta en situaciones inesperadas.

**14 Use equipamiento de seguridad. Lleve siempre gafas protectoras.** Mascarilla de polvo, zapatos de seguridad antirresbaladizos, casco, o protección de los oídos deben ser utilizados para condiciones adecuadas.

#### Uso y cuidado de la herramienta

**15 Use abrazaderas u otras formas prácticas de sujetar y asegurar la pieza de trabajo en una plataforma estable.** Sujetar la pieza de trabajo con la mano o contra el cuerpo es inestable y puede causar la pérdida de control.

**16 No fuerce la herramienta. Use la herramienta correcta para su aplicación.** La herramienta correcta hará su trabajo de manera mejor y más segura al nivel para el cual está diseñada.

**17 No use la herramienta si el interruptor no la enciende y apaga.** Cualquier herramienta que no se pueda controlar por el interruptor es peligrosa y debe ser arreglada.

**18 Desconecte el enchufe de la toma de corriente antes de realizar cualquier ajuste, cambiar accesorios, o guardar la herramienta.** Estas medidas preventivas de seguridad reducen el riesgo de poner en funcionamiento la herramienta accidentalmente.

**19 Guarde herramientas desocupadas fuera del alcance de niños u otras personas sin experiencias.** Las herramientas son peligrosas en manos de personas inexpertas.

**20 Mantenga las herramientas con cuidado. Mantenga herramientas para cortar afiladas y limpias.** Herramientas mantenidas correctamente, con filos afilados, difícilmente se traban y se controlan con mayor facilidad.

**21 Compruebe si hay alineación incorrecta o trabadura de partes móviles, rotura de partes, o cualquier otra condición que puedan afectar el funcionamiento de la herramienta.** En caso de daños, arregle la herramienta antes de usarla. Muchos accidentes son causados por herramientas con mal mantenimiento.

**22 Use solo accesorios que recomiende el fabricante para su modelo.** Accesorios que funcionen en una herramienta pueden ser peligrosos al usarlos en otra.

### Mantenimiento

**23 El mantenimiento de la herramienta solo se podrá realizar por personal de mantenimiento cualificado.** Revisión o

mantenimiento realizado por personal no cualificado puede resultar en el riesgo de lesión.

**24 Cuando se revise una herramienta, use solo repuestos idénticos.** Siga las instrucciones en la sección de mantenimiento de este manual. El uso de repuestos no autorizados o el incumplimiento de las instrucciones de mantenimiento pueden conllevar el riesgo de descarga eléctrica o lesión.

**ADVERTENCIA** Algunos polvos creados por lijadoras mecánicas, aserraderos, trituradores, perforadoras y otras actividades de construcción contienen sustancias químicas que se sabe (en el Estado de California) causan cáncer, defectos de nacimiento u otros daños al sistema reproductivo. Algunos ejemplos de estas sustancias químicas son:

- Plomo de las pinturas con base de plomo
- Sílice cristalino de los ladrillos y cemento y otros productos de mampostería, y
- Arsénico y cromo de madera tratada con sustancias químicas

El riesgo de exposición a estas sustancias varía, dependiendo de cuantas veces se hace este tipo de trabajo.



Para reducir el contacto con estas sustancias químicas: trabaje en un área con buena ventilación y trabaje con equipo de seguridad aprobado, como mascarillas para el polvo diseñadas específicamente para filtrar partículas microscópicas.

Datos técnicos		ETS 150/3 EQ	ETS 150/5 EQ
Potencia absorbida	W	310	310
Velocidad sin carga	rpm	6 000 - 10 500	6 000 - 10 500
Orbitas por minuto	opm	12 000 - 21 000	12 000 - 21 000
Orbita de lijado	mm (in.)	3.0 (0.12)	5.0 (0.20)
Plato de lijado, Ø	mm (in.)	150 (5.9)	150 (5.9)
Peso	kg (lbs)	1.8 (4.0)	1.8 (4.0)
Seguridad		☑ según UL 745, CSA C22.2 No. 745	

### Símbolos

V	voltios
A	amperios
Hz	hertzios
W	vatios
~	rensión alterna
n <sub>o</sub>	revoluciones por minuto en vacío
☑	Clase II Construcción
rpm	revoluciones por minuto
opm	orbitas por minuto
Ø	Diámetro

### Uso conforme a la destinación

En cuanto a su determinación de uso, las

lijadoras están previstas para el lijado de madera, plástico, materiales compuestos, pintura/barniz / nogalina, masilla de emplaste y materiales similares.

Con este útil no se deben trabajar metales ni materiales que contengan amianto.

A causa de la seguridad eléctrica, las máquinas no deben ser operadas estando húmedas y tampoco en un ambiente húmedo. Las máquinas solamente se deben emplear para un lijado en seco.

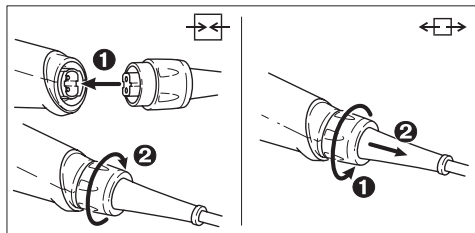
**ADVERTENCIA** El usuario se responsabilizará en el caso de daños y accidentes durante un uso no conforme a lo predeterminado.

## Conexión eléctrica y puesta en servicio

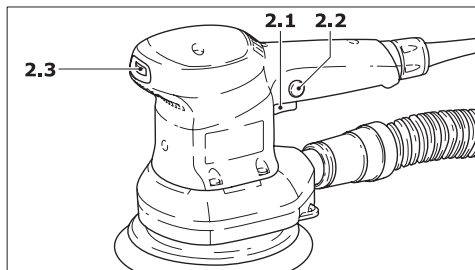
La tensión de red tiene que coincidir con la tensión indicada en la placa de características.

Ver la figura siguiente para enchufar y desenchufar el cable de conexión a la red.

**⚠ ADVERTENCIA** Apague siempre la máquina antes de conectar o sacar el cable de conexión a la red.



L'interrupteur (2.1) sert d'interrupteur de marche/arrêt. Pour un fonctionnement en continu, vous pouvez le bloquer avec le bouton d'arrêt (2.2) latéral. Appuyez à nouveau sur l'interrupteur pour libérer le blocage.



## Regulación electrónica



La lijadora ETS 150/3 EQ, ETS 150/5 EQ dispone de una posibilidad de regulación electrónica, con la que se puede variar el número de revoluciones en progresión continua.

De este modo es posible adaptar óptimamente la velocidad de lijado al respectivo material.

El número de revoluciones se ajusta en la rueda de ajuste (2.3).

Al respecto, las cifras inscritas en la rueda de ajuste corresponden aproximadamente a los siguientes números de orbitas:

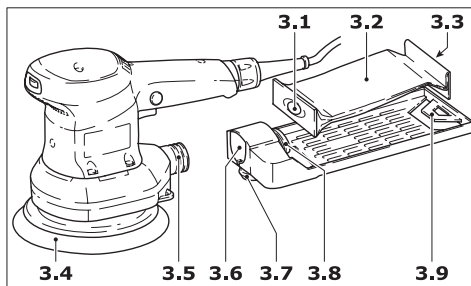
Orbitas por minuto			
1	12 000	4	17 500
2	14 000	5	19 000
3	16 000	6	21 000

## Dispositivo de aspiración de polvo



El dispositivo de aspiración de polvo evita altas cargas de polvo en el aire de trabajo y ensuciamientos considerables en el puesto de trabajo.

## Dispositivo autoaspirador

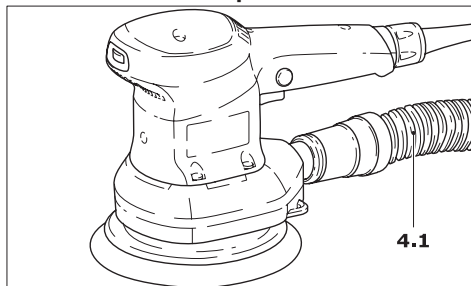


Las máquinas están equipadas como equipo de serie con un dispositivo autoaspirador. El polvo de lijado es aspirado por las aberturas de aspiración que se encuentran en el plato de lijado (3.4) y es recogido en el turbofiltro (3.2). Cuando el turbofiltro se ha llenado hasta el punto de que se nota una merma de la capacidad de aspiración, se deberá proceder a su cambio.

## Montaje de un turbofiltro

- Desplazar la parte delantera de cartón del turbofiltro con labio de hermetización (3.1) sobre la tubuladura de aspiración (3.8) del soporte del filtro,
- meter la parte trasera de cartón con ranura (3.3) sobre la aleta de retención (3.9) del soporte del filtro,
- meter el soporte del filtro con la abertura (3.6) hasta el tope sobre la tubuladura de aspiración (3.5) de la máquina y fijarlo con el botón giratorio (3.7).

## Dispositivo de aspiración externa, con aspirador



A fin de evitar un frecuente cambio del turbofiltro durante trabajos de lijado relativamente largos, en lugar del dispositivo autoaspirador se puede conectar un aspirador Festool.

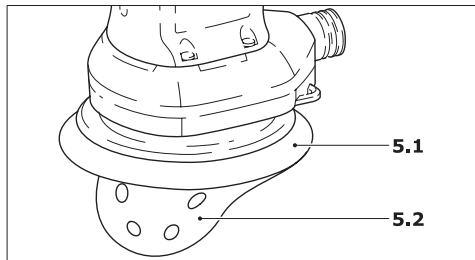


Para ello se cala el tubo flexible de aspiración (Ø 27 mm (4.1)) del aspirador sobre la tubuladura de aspiración.

### Fijación del material abrasivo



Sobre el plato de lijado Stickfix se pueden fijar con rapidez y facilidad los papeles de lija Stickfix y velos de lijado Stickfix apropiados para ello.



Los materiales abrasivos autoadheribles (5.2) se presionan simplemente sobre el plato de lijado (5.1) y son retenidos con seguridad por el recubrimiento adherente del plato de lijado Stickfix.

### Selección y montaje de los discos de lijar

Adaptado a la superficie a trabajar, el aparato puede ser equipado con tres discos de lijar (5.1) de diferente grado de dureza:

- **Duro:** Para un lijado basto de superficies, así como para el lijado de bordes y cantos.
- **Suave:** Universal, para un lijado basto y fino en superficies planas y bombeadas.
- **Supersuave:** Para un lijado fino de piezas mecanizadas / perfiladas, superficies bombeadas, radios. No emplearlo nunca en bordes o cantos!

Los discos de lijar y es asiento de la herramienta en el aparato disponen de un alojamiento de soporte de unión positiva (6.1).

**⚠PRECAUCIÓN** Antes de enroscar el disco de lijar es imprescindible observar que se encuentre en su posición correcta.

### Trabajo con la máquina

**⚠ADVERTENCIA** No sobrecargue la máquina presionándola demasiado sobre el objeto a lijar. Un resultado óptimo de lijado lo conseguirá trabajando con una presión de apriete moderada. Con el ETS 150/3 EQ se obtiene una óptima calidad de superficie con baja capacidad erosiva. El ETS 150/5 EQ ofrece una alta capacidad erosiva con una buena calidad de superficie. La capacidad y calidad de lijado dependen esencialmente de la elección del material abrasivo correcto. Festool ofrece

material adhesivo apropiado para todo caso de aplicación (ver el catálogo Festool o en la dirección de Internet "www.festool-usa.com"). Para máquinas con sistema electrónico recomendamos realizar los siguientes ajustes de la rueda de ajuste (2.3):

#### 5 - 6

- Lijado con accionamiento máximo
- Lijado de pinturas viejas
- Lijado de madera y de enchapados antes del barnizado
- Lijado intermedio de barniz sobre superficies

#### 4 - 5

- Lijado de barnizado previo de aplicación fina
- Lijado de madera con velo de lijar
- Redondeado de cantos en piezas de madera
- Alisado de superficies de madera con pintura de imprimación

#### 3 - 4

- Lijado de cantos de madera maciza y de madera enchapada
- Lijado de encajes de ventanas y puertas
- Lijado intermedio de barniz en cantos
- Lijado inicial de ventanas de madera natural con velo de lijado
- Alisado de la superficie de madera antes del barnizado, empleando velo de lijado
- Frotado de superficies barnizadas empleando velo de lijado
- Abrasión o desprendimiento de pasta de cal sobrante empleando el velo de lijado

#### 2 - 3

- Lijado intermedio de pinturas sobre superficies barnizadas (coloreadas con nogalina)
- Limpieza de encajes de ventanas de madera natural con velo de lijado

#### 1 - 2

- Lijado de cantos pintados/coloreados con nogalina
- Esmerilado de termoplásticos.

### Mantenimiento y conservación

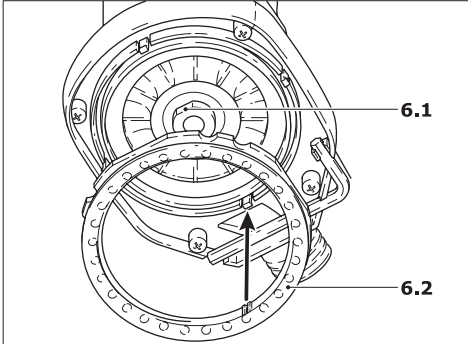
**⚠ADVERTENCIA** Todos los trabajos de mantenimiento y de reparación, para los que se tiene que abrir la carcasa del motor, sólo deben ser llevados a cabo por un taller de servicio de asistencia técnica autorizado. Un mantenimiento o reparación de la máquina por personas no autorizadas puede ser la causa de una conexión errónea de los cables conductores de corriente eléctrica o de otros componentes, lo cual puede ser la causa de accidentes con lesiones graves.

**⚠ADVERTENCIA** Desenchufar el enchufe de la toma de corriente antes de realizar trabajos en la máquina!



Mantener siempre limpias las ventanas de refrigeración.

### Freno del plato de lijado



A fin de evitar una aceleración incontrolada del plato de lijado, ésta es frenada por medio de una guarnición (6.2). Debido a que esta guarnición se desgasta con el tiempo, ésta tiene que ser renovada cuando se registre una merma en el efecto de frenado (núm. de pedido 453388).

### Accesorios, herramientas

**ADVERTENCIA** ¡Por razones de seguridad, solamente deben emplearse accesorios y herramientas originales de Festool!

Los números de pedido para los respectivos accesorios y herramientas se encuentran en su catálogo Festool o en la dirección de Internet "www.festool.com".

### Garantía

#### Condiciones de la Garantía 1 + 2

Usted tiene derecho a una garantía extendida gratuita (1 año + 2 años = 3 años) para su herramienta mecánica Festool. Festool se hará responsable por los gastos de envío durante el primer año de garantía. Durante el segundo y tercer año de garantía el cliente es responsable por el costo del envío de la herramienta a Festool. Festool pagará el embarque de regreso al cliente usando UPS Ground Service. Todo el servicio de garantía es válido por 3 años desde la fecha de la compra de acuerdo a la fecha de su recibo o factura de compra.

#### Garantía limitada de Festool

Esta garantía es válida con la condición previa de que la herramienta se usa y opera de conformidad con las instrucciones de operación de Festool. Festool garantiza, sólo al comprador original, que la herramienta especificada estará libre de defectos de fabricación y materiales durante un periodo de un año a partir de la fecha de compra. Festool no otorga otras

garantías, ni explícitas ni implícitas para ninguna de las herramientas mecánicas portátiles Festool. Ningún agente, representante, distribuidor, comerciante o empleado de Festool está autorizado para extender o modificar de cualquier manera las obligaciones o limitaciones de esta garantía. Las obligaciones de Festool, a su propia entera discreción, están limitadas a la reparación o sustitución de cualquier herramienta portátil Festool que se encuentre estar defectuosa en el momento de ser embalada junto con el manual de usuario.

Quedan excluidos de la cobertura en esta garantía: el desgaste normal; los daños causados por uso indebido, el abuso o negligencia; los daños causados por cualquier otra causa que no sean defectos del material o de la fabricación. Esta garantía no aplica a accesorios como cuchillas de sierras circulares, brocas de taladro, barrenas de buriladora, cuchillas de sierra, cuchillas para sierras de calado, correas de lijadoras y ruedas de esmeril. También se excluyen las "partes que se desgastan" como cepillos de carbón, laminillas de herramientas de aire, collarines de hule y sellos, discos y cojines de lijado, y baterías.

Las herramientas mecánicas portátiles Festool que requieran de reemplazo o reparación deben devolverse con el recibo de compra a Festool (llame al 800-554-8741 para los detalles de la dirección).

**EN NINGÚN CASO FESTOOL SE HARÁ RESPONSABLE POR LOS DAÑOS SECUNDARIOS O CONSECUENTES OCASIONADOS POR LA VIOLACIÓN DE ESTA O CUALQUIER OTRA GARANTÍA, SEA EXPLÍCITA O IMPLÍCITA. TODAS LAS GARANTÍAS IMPLICADAS POR LEYES ESTATALES, INCLUYENDO LAS GARANTÍAS IMPLICADAS DE COMERCIALIZACIÓN Y ADECUACIÓN A UN PROPÓSITO PARTICULAR, QUEDAN LIMITADAS A TRES AÑOS DE DURACIÓN.**

Algunos estados de EE.UU. y algunas provincias de Canadá no permiten las limitaciones en cuanto a la duración de las garantías implícitas, de modo que la limitación arriba indicada puede que no le afecte. A excepción de algunas garantías implicadas por leyes estatales o provinciales, limitadas por la presente, la anteriormente citada garantía, expresamente limitada, es exclusiva y sustituye a cualquier otra garantía, acuerdo u obligación similar de Festool. Esta garantía le concede derechos legales específicos y usted podría tener otros derechos legales que varían de estado a estado en EE.UU. y de provincia a provincia en Canadá.

## Free Manuals Download Website

<http://myh66.com>

<http://usermanuals.us>

<http://www.somanuals.com>

<http://www.4manuals.cc>

<http://www.manual-lib.com>

<http://www.404manual.com>

<http://www.luxmanual.com>

<http://aubethermostatmanual.com>

Golf course search by state

<http://golfingnear.com>

Email search by domain

<http://emailbydomain.com>

Auto manuals search

<http://auto.somanuals.com>

TV manuals search

<http://tv.somanuals.com>