

FESTOOL

LEX 2 150/3
LEX 2 150/7
LEX 2 185/7



Instruction manual

Page 2 - 6

IMPORTANT: Read and understand all instructions before using.

Eccentric sander

Guide d'utilisation

Page 7 - 11

IMPORTANT: Lire et comprendre toutes les instructions avant de démarrer les travaux.

Ponceuse excentrique

Manual de instrucciones

Página 12 - 16

IMPORTANTE: Lea y comprende todas las instrucciones antes de usar.

Lijadora excéntrica

464 111_001

GENERAL SAFETY RULES

⚠WARNING Read and understand all instructions. Failure to follow all instructions listed below may result in electric shock, fire and/or serious personal injury.

SAVE THESE INSTRUCTIONS

Work area

1 Keep your work area clean and well lit. Cluttered benches and dark areas invite accidents.

2 Keep bystanders, children, and visitors away while operating a tool. Distractions can cause you to lose control.

Personal safety

3 Stay alert, watch what you are doing and use common sense when operating a tool. Do not use while tired or under the influence of drugs, alcohol, or medication. A moment of inattention while operating tools may result in serious personal injury.

4 Dress properly. Do not wear loose clothing or jewelry. Contain long hair. Keep your hair, clothing, and gloves away from moving parts. Loose clothes, jewellery, or long hair can get caught in moving parts.

5 Avoid accidental starts. Before connecting the air supply make sure that the tool is switched off. Carrying tools with your finger on the switch or plugging in tools that have the switch on invites accidents.

6 Remove adjusting keys or tools before turning the tool on. A wrench or key that is left attached to a rotating part of the tool may result in personal injury.

7 Do not overreach. Stand on both feet and keep proper footing and balance at all times. Proper footing and balance enables better control of the tool in unexpected situations.

8 Use safety equipment. Always wear eye protection. Dust mask, non-skid safety shoes, hard hat, or hearing protection must be used for appropriate conditions.

Tool use and care

9 Do not abuse the hose. Never carry or pull the tool by the hose. Keep hose away from heat, sharp edges or moving parts. Replace damaged hoses immediately. Damaged hoses increase the risk of accidents.

10 Use clamps or other suitable means to secure and support the workpiece to a stable platform. Holding the work by hand or against your body is unstable and may lead to loss of control.

11 Do not force tool. Use the correct tool for your application. The correct tool will do the job better and safer at the rate for which it is designed.

12 Do not use tool if switch does not turn it on or off. Any tool that cannot be controlled with the switch is dangerous and must be repaired.

13 Disconnect the compressed-air hose from the tool before making any adjustments, changing accessories, or storing the tool. Such preventive safety measures reduce the risk of starting the tool accidentally.

14 Store idle tools out of reach of children and other untrained persons. Tools are dangerous in the hands of untrained users.

15 Maintain tools with care. Keep cutting tools sharp and clean. Properly maintained tools with sharp cutting edges are less likely to bind and are easier to control.

16 Check for misalignment or binding of moving parts, breakage of parts, and any other condition that may affect the tool's operation. If damaged, have the tool serviced before using. Many accidents are caused by poorly maintained tools.

17 Use only accessories that are recommended by the manufacturer for your model. Accessories that may be suitable for one tool may become hazardous when used on another tool.

Service

18 Tool service may be performed only by qualified repair personnel. Service or maintenance performed by unqualified personnel could result in a risk of injury.

19 When servicing a tool, use only identical replacement parts. Follow instructions in the Maintenance section of this manual. Use of unauthorized parts or failure to follow the Maintenance instructions may create a risk of injury.

⚠ WARNING

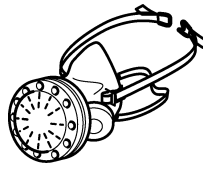
Various dust created by power sanding, sawing, grinding, drilling and other construction activities contains chemicals known (to the State of California) to cause cancer, birth defects or other reproductive harm. Some examples of these chemicals are:

- lead from lead-based paints,
- crystalline silica from bricks and cement and other masonry products, and

- arsenic and chromium from chemically-treated lumber.

The risk from these exposures varies, depending on how often you do this type of work.

To reduce your exposure to these chemicals:



Work in a well ventilated area, and work with approved safety equipment, such as dust masks that are specially designed to filter out microscopic particles.

Technical data

Sanding pad diameter:	- LEX 2 150	150 mm / 6"
	- LEX 2 185	185 mm / 7"
Drive		Compressed-air vane motor
Operating pressure (flow pressure)		87 psi
No load speed		4,000 - 8,000 rpm
Orbits per minute		8,000 - 16,000 opm
Sanding stroke:	- LEX 2 150/3	3 mm
	- LEX 2 150/7, LEX 2 185/7	7 mm
Air consumption at nominal load		14 cfm
Weight:	- LEX 2 150	1.3 kg / 2.8 lbs
	- LEX 2 185	1.4 kg / 3 lbs

Symbols

n_0	no load speed (revolutions)
rpm	revolutions per minute
opm	orbits per minute

Use for intended purpose

As specified, the machines are designed for sanding wood, plastic, metal, stone, composite, paintwork, filler and similar materials. Material containing asbestos must not be processed with these tools.

⚠ WARNING The user is liable for any damage and injury resulting from incorrect usage!

Functional description

Connection and start-up

⚠ WARNING Make sure that the pneumatic tool is switched off when you connect the compressed-air supply.

Compressed-air treatment

The Festool service unit should always be used to ensure that Festool pneumatic tools function correctly. Consisting of a filter, control unit, condensation drain and lubricator, the service unit cleans and lubricates the compressed air and keeps it free of condensation.

For this tool, the lubricator should be set so that a drop is applied to the compressed air approx. every 7-10 minutes.

Damage that occurs as a result of incorrect compressed-air treatment is excluded from warranty claims.

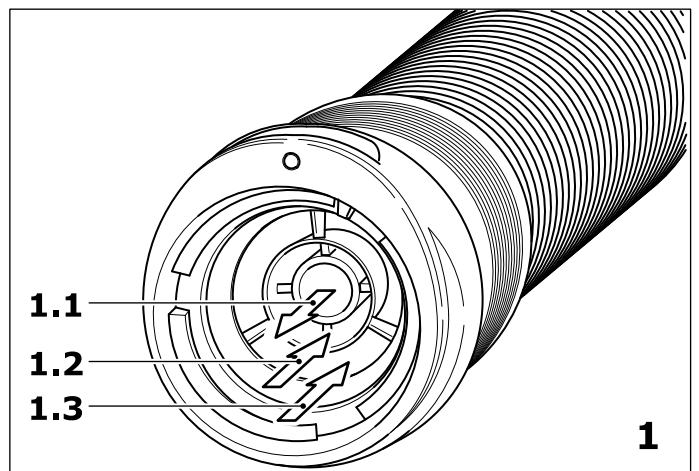
We recommend a service unit with a 3/8" connector for up to two Festool pneumatic tools. The compressor used to supply the compressed air should supply at 20 cfm and an operating pressure of 87 psi. The diameter of the piping system must be sufficiently large (at least 9 mm / 1/2").

IAS 2 hose connector

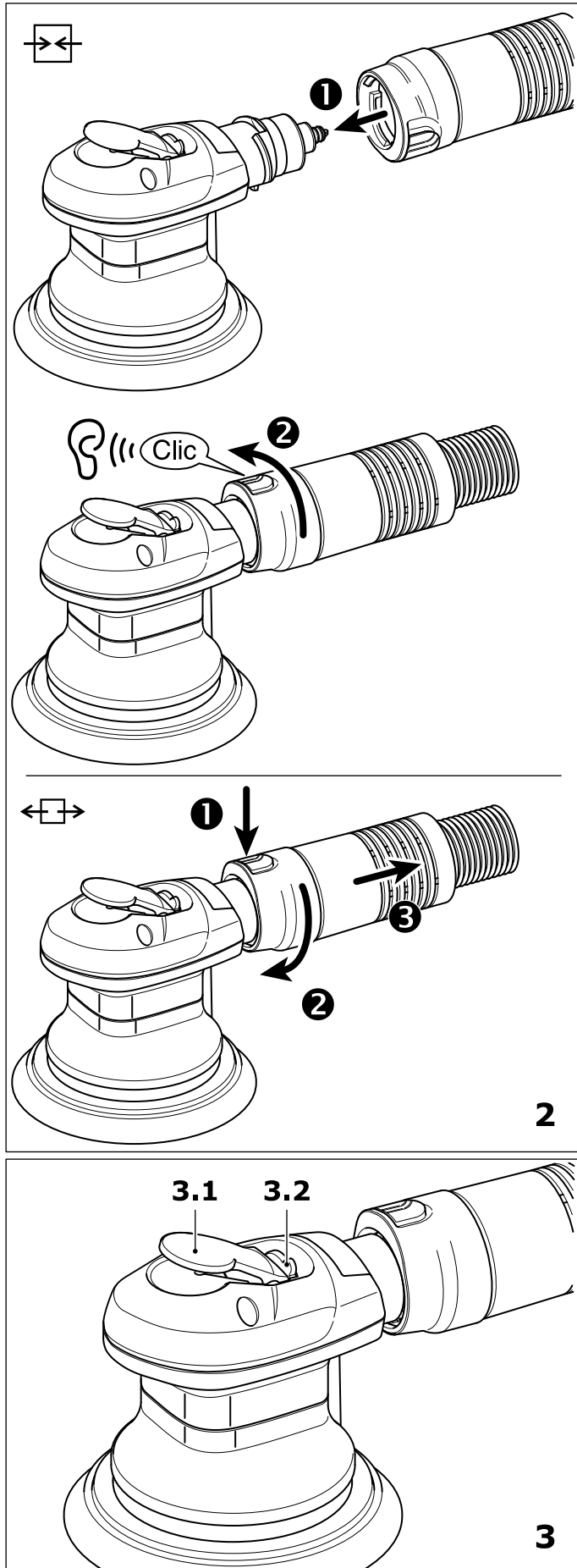
The eccentric sander is a pneumatic tool for connection to the Festool IAS 2 system.

This hose system combines three functions in one hose:

- Compressed air supply (1.1)
- Exhaust air extraction (1.2)
- Dust extraction (1.3)



Connection and disconnection – see Fig. 2.
IAS 2 connecting system – see accompanying instruction sheet.



Starting

Pressing the lever (3.1) switches on the pneumatic tool. Releasing the lever switches the tool off again.

Tool settings

! WARNING Always disconnect the tool from the compressed air supply before doing any work on the tool.

Speed adjustment

You can regulate the sanding speed steplessly between 4,000 and 8,000 rpm using the adjusting wheel (3.2). This enables you to optimize the speed to suit the material.

Suction unit

Sanding dust is extracted through the extraction channels in the sanding pad and taken directly to the material removal point. To ensure optimized dust extraction, we recommend using a Festool dust extractor with automatic switch-on/switch-off device for compressed-air tools.

! CAUTION In order to prevent damage to the pneumatic motor, dust extraction must be allowed to run through the pneumatic tool when it is at standstill.

Sanding pads

! CAUTION Sanding pads have different weights depending on their diameter. Using a sanding pads of the incorrect size will cause excessive vibration of the tool.

Only use sanding pads with an undamaged burr layer.

Sanding pads are available in three degrees of hardness to suit the type of application:

- **Hard:** high edge strength, for removing coarse material from surfaces and for sanding edges.
- **Soft:** universal for coarse and fine sanding, with elastic structure for even and curved surfaces.
- **Super soft:** high elasticity, for smooth fine sanding of moulded parts, curves, radii. Do not use on edges.

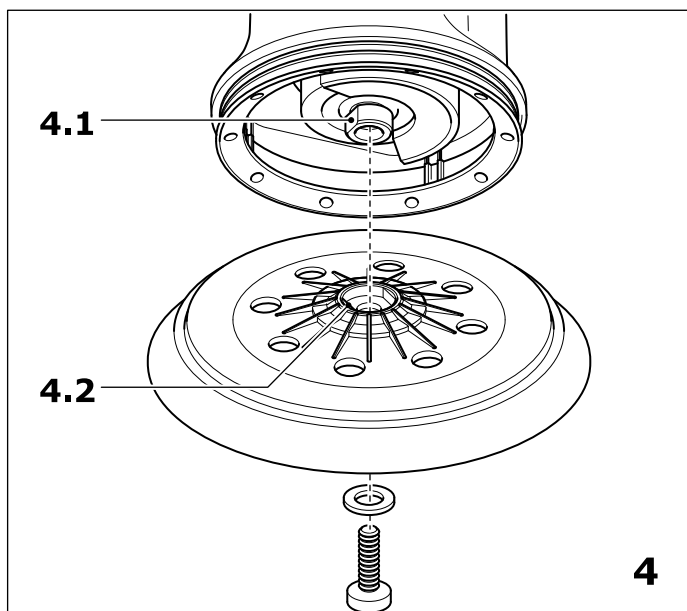
Assembly - see Fig. 4. Make sure the positive-fit supports on the sanding pad (4.1) are flush with the ones on the tool (4.2).

Abrasive

Self-adhesive abrasives, such as Stickfix sandpaper, and sanding cloths can be affixed to the Stickfix sanding pads.

To affix the abrasive, simply press it onto the sanding pad and remove it after use.

! CAUTION The abrasive must be centered on the pad and the holes aligned with those on the sanding pad.



Maintenance and care

⚠ WARNING Always disconnect the tool from the compressed air supply before doing any work on the tool.

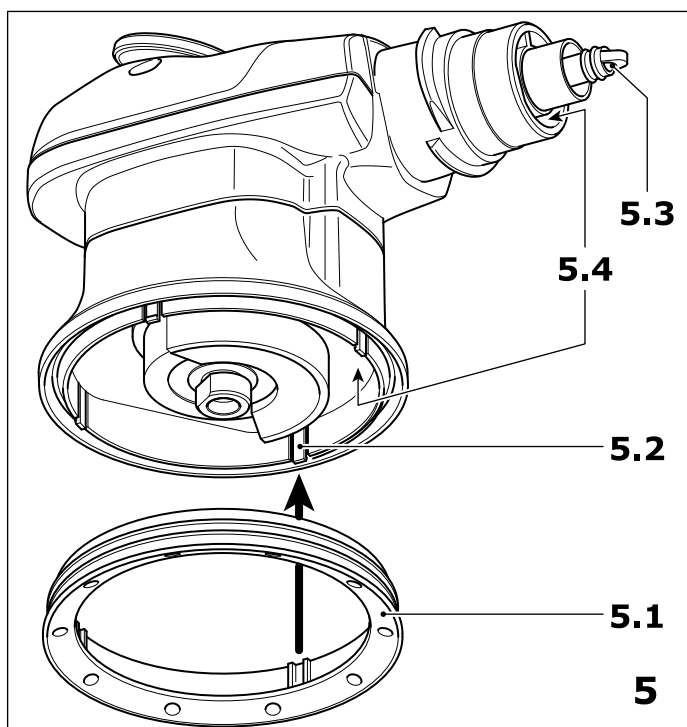
Any maintenance or repair work requiring the motor housing to be opened may only be carried out by an authorized service workshop.

Vanes

We recommend that the vanes on the motor be replaced after approx. 500 operating hours.

Sanding pad brake

The collar (5.1) makes contact with the sanding pad, thus preventing uncontrolled vibration of the sanding pad. This collar wears out over time and must be replaced should brake fading occur. The sanding pad must be removed for this. You can then remove the collar from the snap-on fastener (5.2) and replace it with a new one.



Lubrication

If the tool has not been used for an extended period, such as a weekend, introduce 1 or 2 drops of lubricating oil into the compressed-air supply (5.3) on the tool prior to use.

Replacing the silencer

The silencer on the IAS 2 connecting piece must be replaced at regular intervals to maintain the power of the pneumatic tool.

Cleaning the extraction channels

We recommend that the extraction channels in the tool (5.4) be cleaned once a week using a small pipe-cleaner brush or a cloth (especially when sanding resin filler).

Accessories, tools

⚠ WARNING For safety reasons, only use original Festool accessories and tools!

Accessory and tool order numbers can be found in your Festool catalog.

Warranty

Conditions of 1+2 Warranty

You are entitled to a free extended warranty (1 year + 2 years = 3 years) for your Festool power tool. Festool shall be responsible for all shipping costs during the first year of the warranty. During the second and third year of the warranty the customer is responsible for shipping the tool to Festool. Festool will pay for return shipping to the customer using UPS Ground Service. All warranty service is valid 3 years from the date of purchase on your receipt or invoice.

Festool Limited Warranty

This warranty is valid on the pre-condition that the tool is used and operated in compliance with these Festool operating instructions. Festool warrants, only to the original consumer purchaser, that the specified tool will be free from defects in materials and workmanship for a term of one year from the date of procurement. Festool makes no other warranty, express or implied, for Festool portable power tools. No agent, representative, distributor, dealer or employee of Festool has the authority to increase or otherwise change the obligations or limitations of this warranty. The obligations of Festool in its sole discretion under this warranty shall be limited to the repair or replacement of any Festool portable power tool that is found to be defective as packaged with this User Manual.

Excluded from coverage under this warranty are: normal wear and tear; damages caused by misuse, abuse or neglect; damage caused by anything other than defects in material and workmanship. This warranty does not apply to

accessory items such as circular saw blades, drill bits, router bits, jigsaw blades, sanding belts, and grinding wheels. Also excluded are "wearing parts", such as carbon brushes, vanes of air tools, rubber collars and seals, sanding discs and pads, and batteries.

Festool portable power tools requiring replacement or repair are to be returned with the receipt of purchase to Festool (call 800-554-8741 for address details).

IN NO EVENT SHALL FESTOOL BE LIABLE FOR ANY CONSEQUENTIAL OR INCIDENTAL DAMAGES FOR BREACH OF THIS OR ANY OTHER WARRANTY, EXPRESSED OR IMPLIED WHATSOEVER. ALL WARRANTIES IMPLIED BY STATE LAW, INCLUDING THE IMPLIED

WARRANTIES OF MERCHANTABILITY AND FITNESS FOR A PARTICULAR PURPOSE, ARE HEREBY LIMITED TO THE DURATION OF THREE YEARS.

Some states in the U.S. and some Canadian provinces do not allow the limitations on how long an implied warranty lasts, so the above limitation may not apply to you. With the exception of any warranties implied by state or province law as hereby limited, the foregoing express limited warranty is exclusive and in lieu of all other warranties, guarantees, agreements and similar obligations of Festool.

This warranty gives you specific legal rights and you may also have other rights which vary from state to state in the U.S. and province to province in Canada.

RÈGLES DE SÉCURITÉ GÉNÉRALES

⚠ AVERTISSEMENT Assurez-vous que vous lisez et comprenez bien toutes les instructions. Le non-respect, même partiel, des instructions ci-dessous entraîne un risque d'électrocution, d'incendie et/ou de blessures graves.

CONSERVEZ CES INSTRUCTIONS

Aire de travail

1 Veillez à ce que l'aire de travail soit propre et bien éclairée. Le désordre et le manque de lumière favorisent les accidents.

2 Tenez à distance les curieux, les enfants et les visiteurs pendant que vous travaillez avec un outil. Ils pourraient vous distraire et vous faire une fausse manoeuvre.

Sécurité des personnes

3 Restez alerte, concentrez-vous sur votre travail et utilisez votre bon sens. N'utilisez pas l'outil si vous êtes fatigué ou sous l'influence de drogues, d'alcool ou de médicaments. Un instant d'inattention peut causer des blessures graves.

4 Portez des vêtements appropriés. Ne portez pas de vêtements flottants ni de bijoux. Confinez les cheveux longs. N'approchez jamais les cheveux, les vêtements ou les gants des pièces en mouvement. Les vêtements flottants, les bijoux ou les cheveux longs risquent d'être happés par les pièces en mouvement.

5 Attention aux démarrages accidentels. Assurez-vous que l'outil n'est pas sous tension quand l'air comprimé est branché. Ne portez pas l'outil avec le doigt sur la gâchette et ne branchez pas un outil dont l'interrupteur est à la position MARCHE car c'est une source d'accident.

6 Enlevez les clés de réglage ou les accessoires avant de mettre l'outil en marche. Une clé laissée dans une pièce tournante de l'outil peut provoquer des blessures.

7 Ne vous penchez pas trop en avant. Gardez toujours une position stable et bien équilibrée. Une bonne stabilité vous permet de mieux réagir à une situation inattendue.

Utilisez des accessoires de sécurité. Portez toujours des lunettes ou un masque de sécurité. Selon les conditions, portez aussi un masque antipoussière, des chaussures de sécurité antidérapantes, un casque protecteur et/ou une protection acoustique.

Utilisation et entretien des outils

9 Ne maltraitez pas le tuyau. Évitez de tirer ou de porter l'appareil par le tuyau.

N'exposez pas le tuyau à la chaleur, à des arêtes vives ou à des pièces en mouvement. Remplacez immédiatement le tuyau s'il est endommagé. Un tuyau endommagé augmente le risque d'accident.

10 Immobilisez la pièce de travail avec un serre-joint ou tout autre moyen approprié sur une surface stable. Ne tenez pas la pièce avec la main ou contre votre corps car ce n'est pas stable et cela peut causer un dérapage de l'outil.

11 Ne forcez pas. Utilisez l'outil approprié à la tâche. Un bon outil fonctionne mieux et de façon plus sécuritaire. Respectez aussi la vitesse de travail qui lui est propre.

12 N'utilisez pas un outil si son interrupteur est bloqué. Un outil dont l'interrupteur ne fonctionne pas est dangereux et doit être réparé.

13 Débranchez la fiche de l'outil avant d'effectuer un réglage, de changer d'accessoire ou de ranger l'outil. Ces mesures préventives de sécurité réduisent le risque de démarrage accidentel de l'outil.

14 Rangez les outils hors de portée des enfants et des personnes inexpérimentées. Les outils sont dangereux dans les mains de novices.

15 Entretenez bien les outils. Les outils de coupe doivent toujours être bien affûtés et propres. Des outils bien entretenus, dont les arêtes sont bien tranchantes, sont moins susceptibles de coincer et plus faciles à contrôler.

16 Soyez attentif à tout désalignement ou coincement des pièces en mouvement, à tout bris ou à toute autre condition préjudiciable au bon fonctionnement de l'outil. Si l'outil est endommagé, faites-le réparer avant de vous en servir. De nombreux accidents ont pour cause le mauvais état des outils

17 N'utilisez que des accessoires recommandés par le fabricant pour votre modèle d'outil. Certains accessoires peuvent convenir à un outil, mais être dangereux avec un autre.

Réparation

18 Faites réparer les outils par un réparateur qualifié. L'entretien ou la réparation d'un outil électrique par un amateur peut avoir des conséquences graves.

19 Pour la réparation d'un outil, n'employez que des pièces de rechange d'origine. Suivez les directives données à la section "Réparation" de ce manuel. L'emploi de pièces non autorisées ou le non-respect des instructions d'entretien peut créer des blessures.

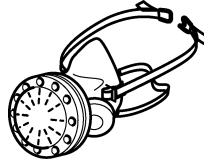
⚠ AVERTISSEMENT

Les poussières provenant du sablage, dusciage, du meulage, du perçage et des autres activités reliées à la construction contiennent des substances chimiques reconnues (dans l'État de la Californie) comme pouvant causer le cancer, des anomalies congénitales ou d'autres dangers pour la reproduction. Voici quelques exemples de telles substances:

- plomb provenant de peintures à base de plomb,
- silice cristallisée utilisée dans les briques, le ciment et autres matériaux de maçonnerie, et

- arsenic et chrome du bois d'œuvre traité avec un produit chimique.

Le risque d'exposition à de tels produits varie selon la fréquence du travail.



Pour réduire les risques d'exposition à ces substances chimiques : travaillez dans un endroit bien ventilé et utilisez un équipement de sécurité approuvé, tel que des masques antipoussières spécialement conçus pour filtrer les particules microscopiques.

Données techniques

Diamètre du plateau de sablage:	- LEX 2 150	150 mm / 6"
	- LEX 2 185	185 mm / 7"
Entraînement		Moteur pneumatique à piston rotatif à palettes
Pression de service (pression d'écoulement)		87 psi
Vitesse à vide		4,000 – 8,000 tr/min
Mouvements orbitaux		8,000 - 16,000 tr/min
Course de sablage:	- LEX 2 150/3	3 mm
	- LEX 2 150/7, LEX 2 185/7	7 mm
Débit d'air en charge nominale		14 cfm
Poids:	- LEX 2 150	1.3 kg / 2.8 lbs
	- LEX 2 185	1.4 kg / 3 lbs

Symboles

n_0 Vitesse de rotation à vide
tr/min tours par minute

Utilisation

Ces outils sont conçus par principe pour le sablage des matériaux suivants : bois, plastique, métal, pierre, composite, peinture, vernis, enduit et similaires. Il est interdit de poncer des matières contenant de l'amiante avec l'appareil.

⚠ AVERTISSEMENT L'utilisateur est responsable de tout dommage ou accident dû à l'utilisation ou conforme des machines.

Description fonctionnelle

Branchement et mise en route

⚠ AVERTISSEMENT Lors du raccordement à l'air comprimé, veillez à ce que l'outil pneumatique n'est pas sous tension.

Traitement de l'air comprimé

Pour assurer le bon fonctionnement des outils pneumatiques Festool, il faut toujours utiliser l'appareil Festool VE. Composé d'un filtre, d'un

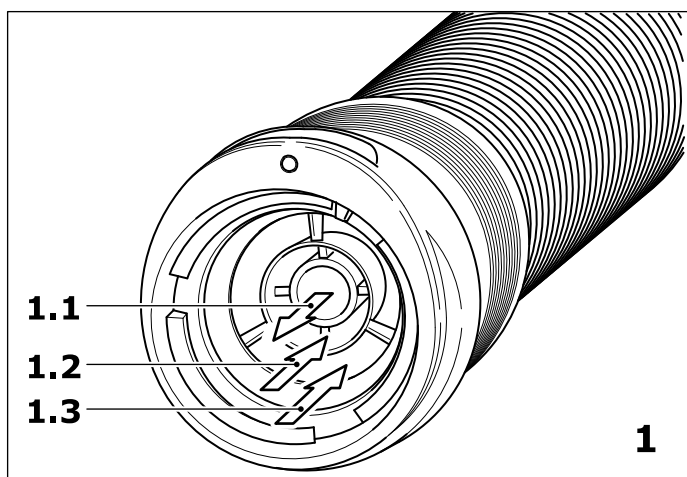
régulateur, d'un purgeur de condensat et d'un huileur, l'appareil de conditionnement fournit un air comprimé propre, sans condensat et huilé. L'huileur doit être réglé de façon à ajouter une goutte d'huile à l'air comprimé toutes les 7 à 10 minutes.

Les dommages résultant d'un mauvais traitement de l'air comprimé sont exclus de la garantie. En cas d'emploi de deux outils pneumatiques Festool au maximum, nous recommandons le raccord de 3/8". Pour l'air comprimé, il faut choisir un compresseur fournissant au moins 20 cfm à une pression de service de 87 psi. La canalisation doit avoir un diamètre suffisamment grand (9 mm / 1/2" mini).

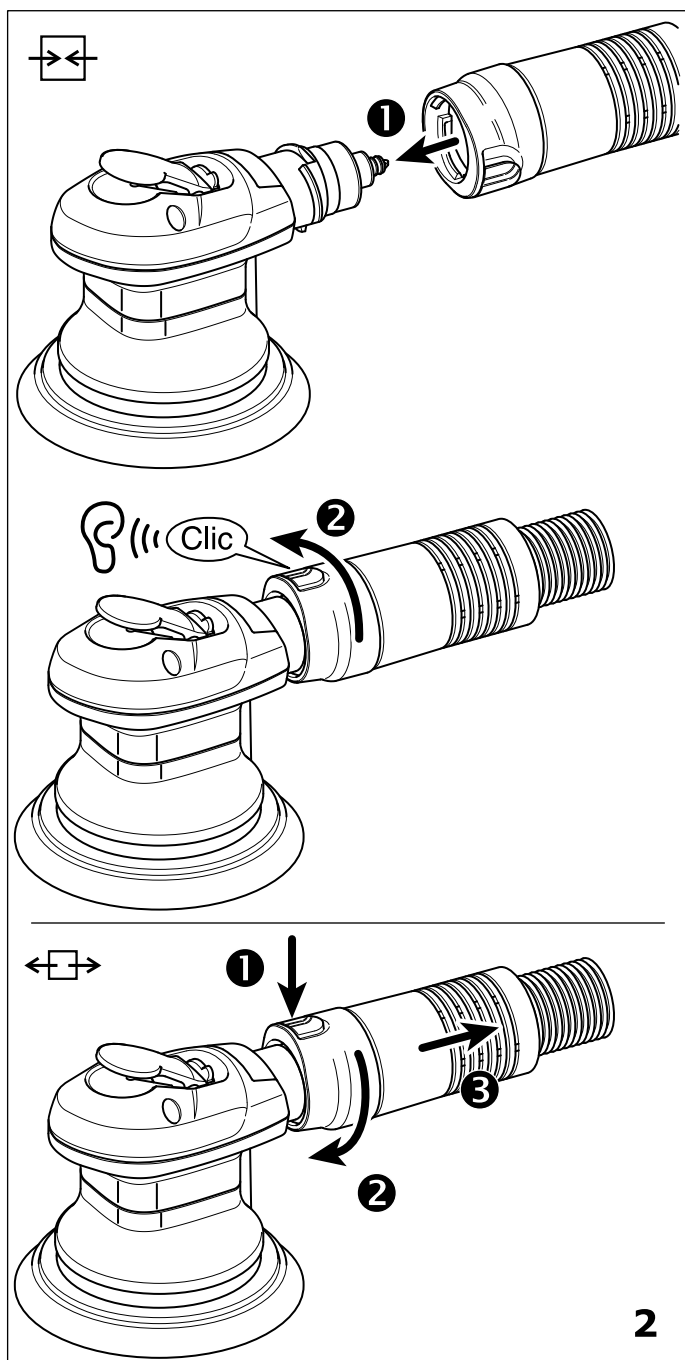
Raccordement Tuyau IAS 2

La sableuse excentrique est un outil pneumatique se raccordant au système Festool IAS 2. Ce système à flexibles regroupe trois fonctions dans un seul flexible :

- Air comprimé (1.1)
- Extraction de l'air (1.2)
- Aspiration des poussières (1.3)

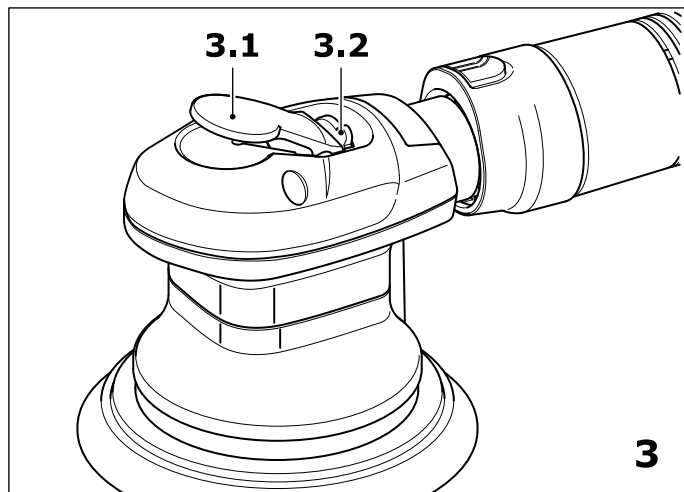


Branchement et débranchement—voir figure 2. Système de raccordement IAS 2—voir fiche technique jointe.



Mise en marche

Appuyez sur le levier (3.1) pour mettre l'outil pneumatique en marche. Relâchez l'outil pour arrêter l'outil.



Réglages de l'outil

⚠ AVERTISSEMENT Débranchez toujours l'air comprimé avant de travailler sur l'outil.

Réglage de la vitesse

Vous pouvez régler la vitesse en continu entre 4 000 et 6 000 tr/min au moyen de la molette (3.2) pour la meilleure vitesse correspondant au travail.

Aspiration

La poussière du sablage est aspirée directement à son point de production par les canaux d'aspiration dans le plateau de sablage. Pour assurer une aspiration optimale des poussières, nous recommandons l'emploi d'aspirateurs Festool dotés d'une commande marche/arrêt automatique pour outils pneumatiques.

⚠ MISE EN GARDE Pour éviter des dommages du moteur à air comprimé, ne laissez pas l'outil pneumatique tourner à vide.

Plateau de sablage

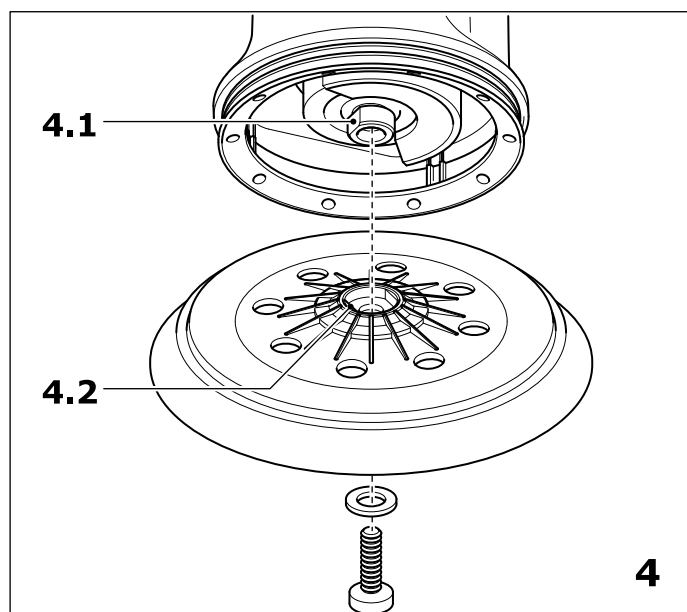
⚠ MISE EN GARDE Suivant leur diamètre, les plateaux sablage sont plus ou moins lourds. Un tampon de sablage de la mauvaise taille produit des vibrations excessives.

N'utilisez que des tampons de sablage laissant une surface uniforme non éraflée.

Selon leur utilisation, les panneaux de sablage ont trois grains :

- **Dur** : résistance élevée du bord, pour le dégrossissage des surfaces et le sablage sur chant.
- **Souple** : universel pour sablage grossier et fin, à structure élastique pour surfaces planes et bombées.

- **Extra-souple** : élasticité élevée, pour sablage fin soigné sur pièces moulées, bom-bages, rayons. À ne pas employer sur chant!
Montage - Figure 4. Assurez-vous que le tampon de sablage (4.1) et l'outil (4.2) sont bien encliquetés!



Abrasifs

Il est possible d'utiliser des abrasifs auto-adhésifs comme le papier sablé Stickfix et des toiles emery qui peuvent être collés au tampon de sablage.

Il suffit de poser l'abrasif sur le tampon de sablage et de le décoller après usage.

⚠ MISE EN GARDE Les abrasifs doivent être centrés sur le tampon et les trous doivent être alignés sur ceux du tampon. appliqués de façon concentrique et leur perforation doit concorder avec celle du plateau de ponçage.

Entretien

⚠ AVERTISSEMENT Débranchez toujours l'air comprimé avant de travailler sur les outils.

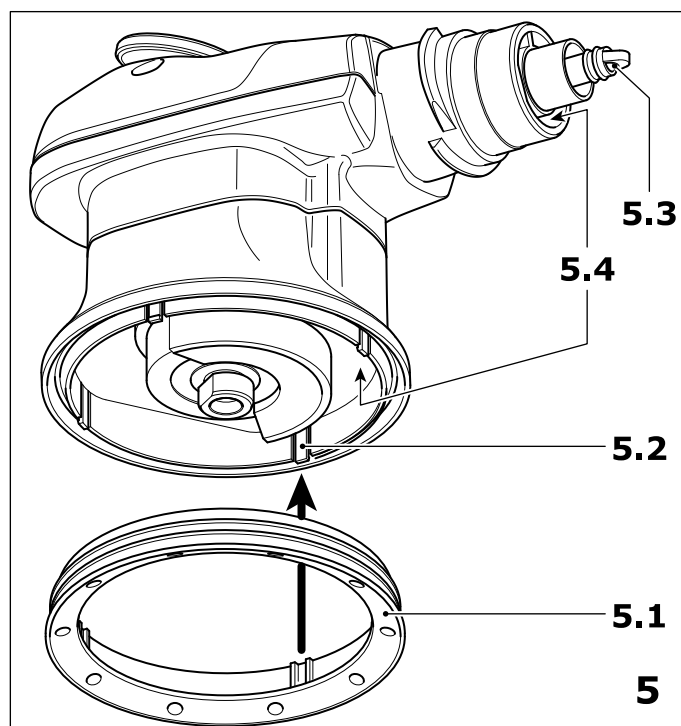
Les travaux d'entretien et de réparation nécessitant l'ouverture du logement du moteur ne doivent être effectués que par le personnel d'un atelier autorisé du service après-vente.

Palettes

Il est recommandé de faire changer les palettes du moteur après 500 heures de service environ.

Frein du tampon

Le collier (5.1) qui assure le contact avec le tampon de sablage évite l'accroissement excessif de la vitesse. Il s'use et doit être remplacé quand le freinage diminue. Pour cela, il faut enlever le tampon, enlever le collier de la fixation encliquetable (5.2) et mettre un collier neuf.



Lubrification

Si l'outil n'a pas été utilisé pendant un certain temps, une fin de semaine, par exemple, mettez 1 ou 2 gouttes d'huile dans le raccord d'arrivée de l'air comprimé avant de le mettre en marche.

Remplacement du silencieux

Pour préserver la performance de l'outil pneumatique, il faut remplacer à intervalles réguliers le silencieux sur le raccord IAS 2.

Nettoyage des canaux d'aspiration

Nous recommandons de nettoyer une fois par semaine (surtout en cas de sablage de mastic de résine) les canaux d'aspiration dans l'outil (5.4) avec une petite brosse plate ou avec un chiffon en tissu.

Accessoires, outils

⚠ AVERTISSEMENT Pour des raisons de sécurité, il faut utiliser exclusivement des accessoires et outils d'origine Festool!

Les références des accessoires et outils figurent dans le catalogue Festool.

Garantie

Conditions de la garantie (1+2 ans)

Vous avez droit à une prolongation de garantie gratuite (1 an + 2 ans = 3 ans) pour votre outil Festool. Festool assumera tous les coûts d'expédition pendant la première année de la garantie alors que les deuxième et troisième années, les coûts devront être assumés par le client. Festool paiera les frais de retour de l'outil au client par service de livraison terrestre UPS.

La garantie est valable pour une période de 3 ans à compter de la date d'achat indiquée sur votre reçu ou votre facture.

Garantie limitée de Festool

Cette garantie est valable à condition que l'outil soit utilisé conformément aux instructions de Festool. Festool garantit, à l'acheteur initial seulement, que l'outil indiqué sera exempt de tout défaut de matériau et de fabrication pendant un an à compter de la date d'achat. Festool ne donne aucune garantie supplémentaire, implicite ou explicite, sur les outils portables Festool. Aucun agent, représentant commercial, distributeur, vendeur ou employé de Festool n'est autorisé à prolonger ou à modifier les obligations ou restrictions de la présente garantie. Les obligations de Festool sont, à son entière discrétion, limitées à la réparation ou à l'échange des outils portables Festool trouvés défectueux dans le présent emballage, tels que fournis avec le présent Guide d'utilisation.

Cette garantie exclut l'usure normale, les dommages causés par un usage impropre, les abus ou la négligence, ou tout dommage autre que ceux attribuables à des défauts de matériau et de fabrication. Cette garantie ne s'applique pas aux accessoires tels que lames de scie circulaire, mèches de perceuse et vilebrequin, lames de scie sauteuse, bandes abrasives et meules. Sont également exclues les pièces

d'usure, telles que balais de charbon, lamelles pour outils à air comprimé, joints et manchons de caoutchouc, disques et patins ponceurs, ainsi que les piles.

Les outils portables Festool à remplacer ou à réparer doivent être retournés avec le reçu d'achat à Festool (appelez au 800-554-8741 pour connaître l'adresse d'expédition).

FESTOOL N'EST EN AUCUN CAS RESPONSABLE DES DOMMAGES DIRECTS OU INDIRECTS, IMPLICITES OU EXPLICITES, DÉCOULANT DE LA RUPTURE DE CETTE GARANTIE OU DE TOUTE AUTRE GARANTIE. TOUTES LES GARANTIES IMPLICITES, Y COMPRIS LES GARANTIES IMPLICITES DE QUALITÉ MARCHANDE ET D'ADÉQUATION À UN USAGE PARTICULIER, SONT LIMITÉES À UNE PÉRIODE DE TROIS ANS.

Certains états américains et certaines provinces canadiennes ne permettent pas la limitation des garanties implicites; il se pourrait donc que les limites indiquées ci-dessus ne s'appliquent pas dans votre cas. À l'exception de certaines garanties implicites des provinces ou des états indiquées ici, la présente garantie est exclusive et remplace toute autre garantie, convention et obligation similaire de Festool.

Cette garantie vous confère des droits légaux spécifiques, et vous pouvez aussi avoir d'autres droits pouvant varier d'un état à l'autre, ou d'une province à l'autre au Canada.

NORMAS GENERALES DE SEGURIDAD

⚠️ ADVERTENCIA Lea y entienda todas las instrucciones. El incumplimiento de una sola de las instrucciones aquí listadas, puede tener como resultado una descarga eléctrica, fuego y/o lesiones personales serias.

CONSERVE ESTAS INSTRUCCIONES

Área de trabajo

1 Mantenga su espacio de trabajo limpio y bien iluminado. Bancos de trabajo desordenados y áreas oscuras facilitan accidentes.

2 Mantenga espectadores, niños, y visitantes fuera del alcance mientras maneje herramientas. Distracciones pueden causar la pérdida del control.

Seguridad personal

3 Manténgase atento, observe lo que está haciendo y use el sentido común cuando use una herramienta. No trabaje estando cansado o bajo influencia de drogas, alcohol, o medicamentos. Un momento sin prestar atención mientras maneja una herramienta puede tener como resultado serias lesiones personales.

4 Vístase apropiadamente. No lleve ropa suelta o joyas. Sujete pelo largo. Mantenga su pelo, ropa y guantes fuera del alcance de partes móviles. Ropa, joyas y pelo suelto pueden pillarse en partes móviles.

5 Evite accidentes al iniciar. Asegúrese de que, al conectar el suministro del aire, la herramienta está desconectada. Transportar herramientas con el dedo en el interruptor o enchufar las herramientas con el interruptor encendido puede provocar accidentes.

6 Quite llaves de ajuste o conmutadores antes de encender la herramienta. Una llave inglesa u otra llave que se deja puesta en partes rotatorias de la herramienta pueden causar lesiones personales.

7 No exceda límites. Mantenga estabilidad y balance apropiado en todo momento. Estabilidad y balance apropiado posibilitan el mejor control de la herramienta en situaciones inesperadas.

8 Use equipo de seguridad. Lleve siempre gafas protectoras. Mascarilla de polvo, zapatos de seguridad antirresbaladizos, casco, o protección de los oídos deben ser utilizados en condiciones adecuadas.

Uso y cuidado de la herramienta

9 No abuse de la manguera. No tire de la herramienta ni la arrastre tomándola por

la manguera. Mantenga la manguera fuera de calor, filos agudos o partes móviles. Reemplace las mangueras dañadas inmediatamente. Las mangueras dañadas aumentan el riesgo de accidentes.

10 Use abrazaderas u otras formas prácticas de sujetar y asegurar la pieza de trabajo en una plataforma estable. Sujetar la pieza de trabajo con la mano o contra el cuerpo es inestable y puede causar la pérdida de control.

11 No fuerce la herramienta. Use la herramienta correcta para su aplicación. La herramienta correcta hará su trabajo de manera mejor y más segura al nivel para el cual está diseñada.

12 No use la herramienta si el interruptor no la enciende y apaga. Cualquier herramienta que no se pueda controlar por el interruptor es peligrosa y debe ser reparada.

13 Desconecte la manguera de aire comprimido de la herramienta antes de realizar cualquier ajuste, cambiar accesorios, o guardar la herramienta. Estas medidas preventivas de seguridad reducen el riesgo de poner en funcionamiento la herramienta accidentalmente.

14 Guarde herramientas desocupadas fuera del alcance de niños u otras personas sin experiencias. Las herramientas son peligrosas en manos de personas inexpertas.

15 Mantenga las herramientas con cuidado. Mantenga herramientas para cortar afiladas y limpias. Herramientas mantenidas correctamente, con filos afilados, difícilmente se traban y se controlan con mayor facilidad.

16 Compruebe si hay alineación incorrecta o trabadura de partes móviles, rotura de partes, o cualquier otra condición que puedan afectar el funcionamiento de la herramienta. En caso de daños, arregle la herramienta antes de usarla. Muchos accidentes son causados por herramientas con mal mantenimiento.

17 Use solo accesorios que recomiende el fabricante para su modelo. Accesorios que funcionen en una herramienta pueden ser peligrosos al usarlos en otra.

Mantenimiento

18 El mantenimiento de la herramienta solo se podrá realizar por personal de mantenimiento calificado. Revisión o mantenimiento realizado por personal no calificado puede resultar en el riesgo de lesión

19 Cuando se revise una herramienta, use solo repuestos idénticos. Siga las instrucciones en la sección de mantenimiento

de este manual. El uso de repuestos no autorizados o el incumplimiento de las instrucciones de mantenimiento pueden conllevar el riesgo de lesión.

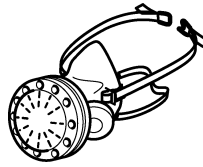
⚠ ADVERTENCIA

Algunos polvos creados por lijadoras mecánicas, aserraderos, trituradores, perforadoras y otras actividades de construcción contienen sustancias químicas que se sabe (en el Estado de California) causan cáncer, defectos de nacimiento u otros daños al sistema reproductivo. Algunos ejemplos de estas sustancias químicas son:

- Plomo de las pinturas con base de plomo

- Sílice cristalino de los ladrillos y cemento y otros productos de mampostería, y
- Arsénico y cromo de madera tratada con sustancias químicas

El riesgo de exposición a estas sustancias varía, dependiendo de cuantas veces se hace este tipo de trabajo.



Para reducir el contacto con estas sustancias químicas: trabaje en un área con buena ventilación y trabaje con equipo de seguridad aprobado, como mascarillas para el polvo diseñadas específicamente para filtrar partículas microscópicas.

Datos técnicos

Diámetro del plato lijador:	- LEX 2 150	150 mm / 6"
	- LEX 2 185	185 mm / 7"
Accionamiento		Motor de paletas de aire comprimido
Presión de servicio (presión de flujo)		87 psi
Velocidad sin carga		4,000 - 8,000 rpm.
Órbitas por minuto		8,000 - 16,000 opm.
Carrera de lijado:	- LEX 2 150/3	3 mm
	- LEX 2 150/7, LEX 2 185/7	7 mm
Consumo de aire con carga nominal		14 cfm
Peso:	- LEX 2 150	1.3 kg / 2.8 lbs
	- LEX 2 185	1.4 kg / 3 lbs

Símbolos

n_0	revoluciones sin carga
rpm	revoluciones por minuto
opm	órbitas por minuto

Uso conforme a la destinación

Conforme a las especificaciones, las máquinas están diseñadas para lijar madera, plástico, metal, piedra, material compuesto, recubrimientos de pintura, emplaste y materiales similares. No se deberá procesar material que contenga asbesto.

⚠ ADVERTENCIA ¡El usuario es responsable por cualquier daño o lesión que resulte del uso incorrecto de esta herramienta!

Descripción del funcionamiento

Conexión y puesta en servicio

⚠ ADVERTENCIA Asegúrese de que la herramienta neumática está apagada cuando conecta al suministro de aire comprimido.

Preparación del aire comprimido

Siempre se deberá utilizar una unidad de servicio Festool para asegurar que las

herramientas neumáticas Festool funcionan correctamente. Esta unidad consta de un filtro, una unidad de control, un drenaje de condensados y un lubricador, y sirve para limpiar y lubricar el aire comprimido así como para mantenerlo libre de condensados. Para ello, el lubricador deberá ajustarse de tal modo que cada 7-10 minutos aprox. añada una gota de aceite al aire comprimido.

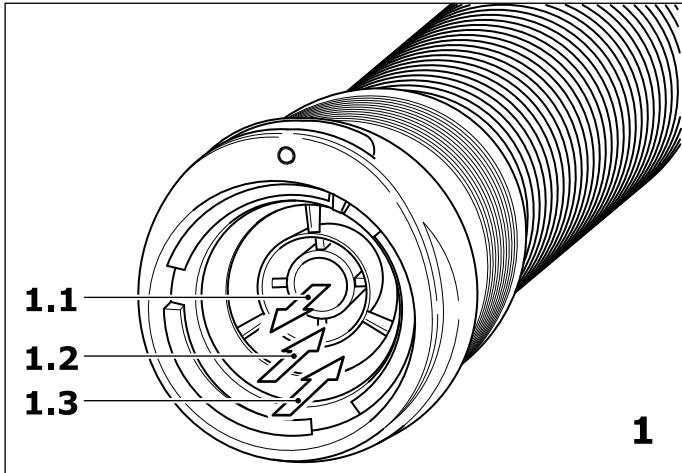
Los daños que puedan ocasionarse por un tratamiento deficiente del aire comprimido quedarán excluidos del derecho de garantía.

Recomendamos que se utilicen hasta dos herramientas Festool con una unidad de servicio con un conector de 3/8". Para el suministro de aire comprimido, deberá elegirse un compresor capaz de suministrar como mínimo 20 cfm con una presión de servicio de 87 psi. El sistema de conductos debe disponer de un diámetro lo suficientemente grande (al menos 9 mm / 1/2").

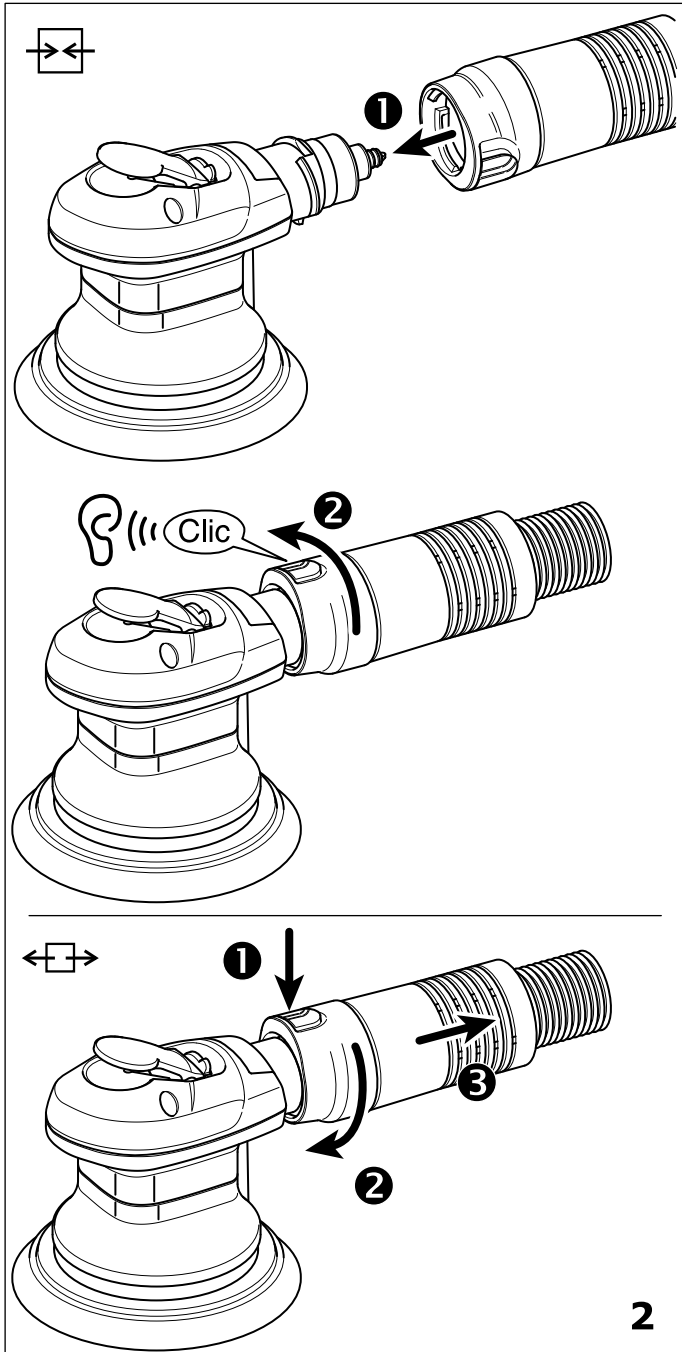
Conexión de la manguera IAS 2

La lijadora excéntrica es una herramienta neumática que va conectada al sistema Festool IAS 2. Este sistema combina tres funciones en una sola manguera:

- Suministro de aire comprimido (1.1)
- Extracción de aire de escape (1.2)
- Extracción de polvo (1.3)

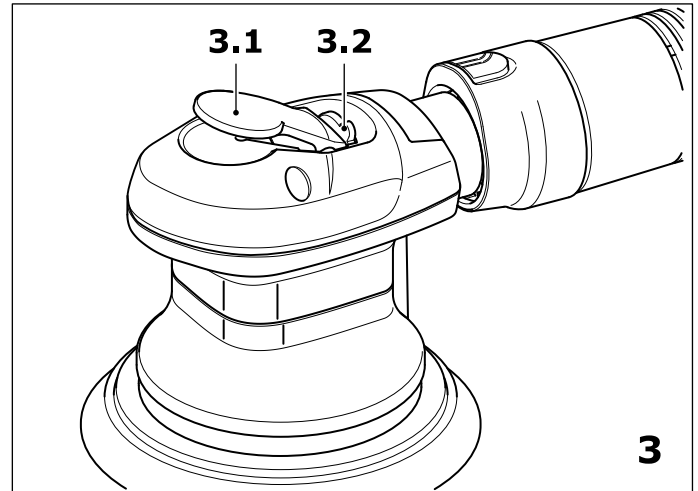


Conexión y desconexión – ver figura 2.
Sistema de conexión IAS 2 – ver hoja de indicaciones adjunta.



Puesta en marcha

La herramienta neumática se pone en marcha al ejercer presión en la palanca (3.1). Si se suelta la palanca, la máquina se apaga.



Ajustes de la máquina

⚠ ADVERTENCIA Antes de realizar cualquier trabajo en la máquina, ésta deberá desconectarse siempre del suministro de aire comprimido.

Regulación del número de revoluciones

Las revoluciones pueden regularse de modo continuo con la rueda de ajuste (3.2) entre 4,000 y 8,000 rpm.

De esta forma, la velocidad se puede adaptar de forma óptima a cada material.

Aspiración

El polvo resultante del lijado se aspira directamente en el plato de lijado a través de los canales de aspiración del plato lijador. Para garantizar una aspiración óptima del polvo, recomendamos emplear los aspiradores Festool con dispositivo automático de arranque / paro para máquinas neumáticas.

⚠ PRECAUCIÓN Para evitar posibles daños al motor de aire comprimido, no se deberá permitir la aspiración a través de la herramienta neumática cuando está detenida.

Platos lijadores

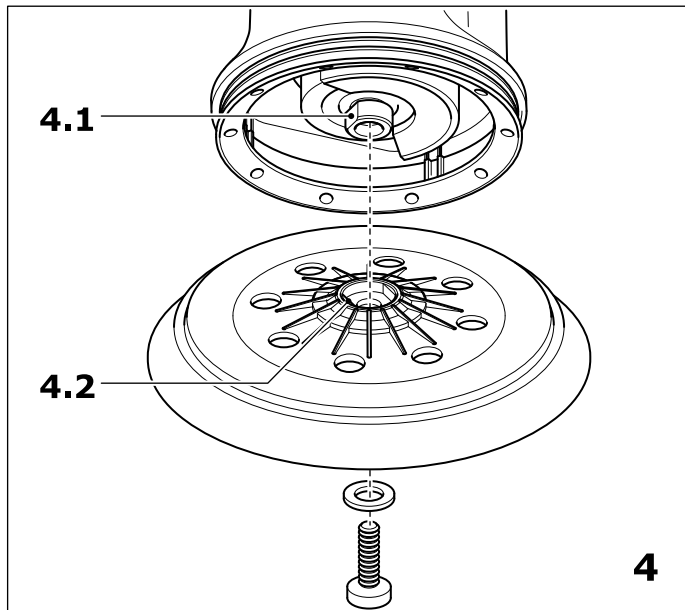
⚠ PRECAUCIÓN Los platos lijadores tienen diferente peso en función de su diámetro. El uso de un plato lijador de tamaño incorrecto provocará un nivel de vibración excesivo para la herramienta.

Utilice sólo platos lijadores con el revestimiento intacto.

Los platos lijadores están disponibles en tres niveles de dureza en función del tipo de uso:

- **Duro:** gran solidez en cantos, para la remoción de material grueso de las superficies y al lijar sobre cantos.
- **Blando:** universal para lijado grueso y fino, con estructura elástica para superficies planas y curvas.
- **Superblando:** gran elasticidad, para lijado fino de piezas pre-formadas, formas convexas y radios. ¡No lo aplique en cantos!

Ensamble - ver figura 4. Asegúrese de que los soportes de arrastre positivo en la forma del plato lijador (4.1) y la máquina están alineados (4.2).



Abrasivos

Los abrasivos autoadheribles, como la lija Stickfix, y los vellones de lija se pueden fijar a los platos de lijado Stickfix.

Los abrasivos se adhieren fácilmente al plato lijador y se despegan después de usarlos.

⚠PRECAUCIÓN Los abrasivos deben colocarse concéntri-camente y sus perforaciones deben coincidir con las del plato lijador.

Mantenimiento y cuidado

⚠ADVERTENCIA Antes de realizar cualquier trabajo en la máquina, ésta deberá desconectarse siempre del suministro de aire comprimido.

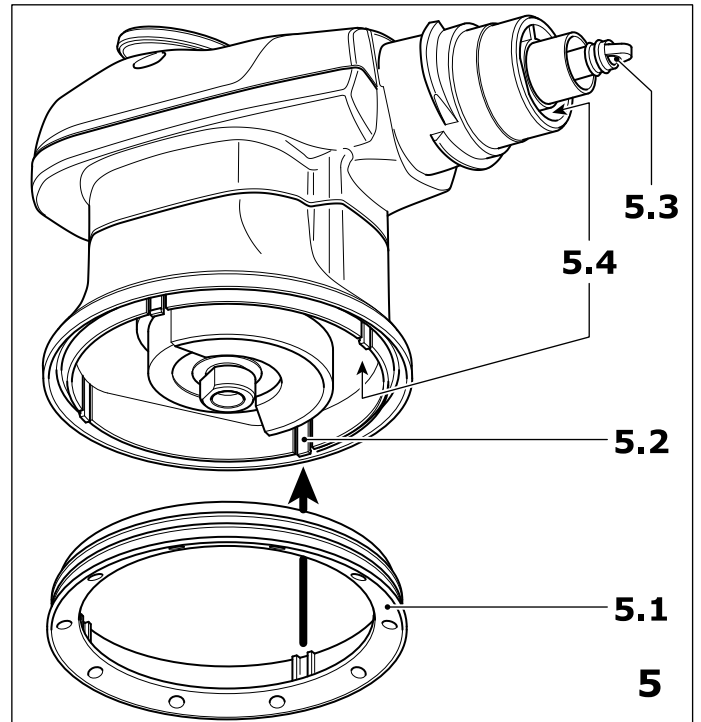
Todos los trabajos de mantenimiento y de reparación, para los que se tiene que abrir la carcasa del motor, sólo deben ser llevados a cabo por un taller de servicio de asistencia técnica autorizado.

Paletas

Recomendamos sustituir las lamas del motor después de aprox. 500 horas de servicio.

Freno del plato de lijado

El collarín (5.1) hace contacto con el plato lijador e impide con ello una vibración incontrolable del plato de lijado. En consecuencia, el collarín se desgasta con el tiempo y debe sustituirse por uno nuevo cuando su efecto de frenado empieza a disminuir. Para ello, deberá retirarse el plato lijador. Entonces podrá desmontar el collarín de la conexión rápida (5.2) y sustituirlo por uno nuevo.



Lubricación

Tras un largo período de inactividad, por ejemplo, después de un fin de semana, deberán aplicarse antes de su puesta en marcha 1 ó 2 gotas de aceite lubricante en la conexión de aire comprimido (5.3) de la máquina.

Cambio del silenciador

El silenciador en la pieza de conexión IAS 2 deberá reemplazarse en intervalos regulares para mantener la potencia de la herramienta neumática.

Limpieza de los canales de aspiración

Recomendamos limpiar una vez por semana (en especial al lijar emplastes de resina sintética) los canales de aspiración de la máquina (5.4) con un pequeño cepillo limpiatubos o con un trapo.

Accesorios, herramientas

⚠ADVERTENCIA ¡Por razones de seguridad, solamente deben emplearse accesorios y herramientas originales de Festool!

Los números de pedido para los respectivos accesorios y herramientas se encuentran en su catálogo Festool.

Garantía

Condiciones de la Garantía 1 + 2

Usted tiene derecho a una garantía extendida gratuita (1 año + 2 años = 3 años) para su herramienta mecánica Festool. Festool se hará responsable por los costos de envío durante el primer año de garantía. Durante el segundo y tercer año de garantía el cliente es responsable por el costo del envío de la herramienta a Festool. Festool pagará el embarque de regreso al cliente usando UPS Ground Service. Todo el servicio de garantía es válido por 3 años desde la fecha de la compra de acuerdo a la fecha de su recibo o factura de compra.

Garantía limitada de Festool

Esta garantía es válida con la condición previa de que la herramienta se usa y opera de conformidad con las instrucciones de operación de Festool. Festool garantiza, sólo al comprador original, que la herramienta especificada estará libre de defectos de fabricación y materiales durante un periodo de un año a partir de la fecha de compra. Festool no otorga otras garantías, ni explícitas ni implícitas para ninguna de las herramientas mecánicas portátiles Festool. Ningún agente, representante, distribuidor, comerciante o empleado de Festool está autorizado para extender o modificar de cualquier manera las obligaciones o limitaciones de esta garantía. Las obligaciones de Festool, a su propia entera discreción, están limitadas a la reparación o sustitución de cualquier herramienta portátil Festool que se encuentre estar defectuosa en el momento de ser embalada junto con el manual de usuario.

Quedan excluidos de la cobertura en esta garantía: el desgaste normal; los daños causados por uso indebido, el abuso o

negligencia; los daños causados por cualquier otra causa que no sean defectos del material o de la fabricación. Esta garantía no aplica a accesorios como cuchillas de sierras circulares, brocas de taladro, barrenas de buriladora, cuchillas de sierra, cuchillas para sierras de calado, correas de lijadoras y ruedas de esmeril. También se excluyen las "partes que se desgastan" como cepillos de carbón, laminillas de herramientas de aire, collarines de hule y sellos, discos y cojines de lijado, y baterías. Las herramientas mecánicas portátiles Festool que requieran de reemplazo o reparación deben devolverse con el recibo de compra a Festool (llame al 800-554-8741 para los detalles de la dirección).

EN NINGÚN CASO FESTOOL SE HARÁ RESPONSABLE POR LOS DAÑOS SECUNDARIOS O CONSECUENTES OCASIONADOS POR LA VIOLACIÓN DE ESTA O CUALQUIER OTRA GARANTÍA, SEA EXPLÍCITA O IMPLÍCITA. TODAS LAS GARANTÍAS IMPLICADAS POR LEYES ESTATALES, INCLUYENDO LAS GARANTÍAS IMPLICADAS DE COMERCIALIZACIÓN Y ADECUACIÓN A UN PROPÓSITO PARTICULAR, QUEDAN LIMITADAS A TRES AÑOS DE DURACIÓN.

Algunos estados de EE.UU. y algunas provincias de Canadá no permiten las limitaciones en cuanto a la duración de las garantías implícitas, de modo que la limitación arriba indicada puede que no le afecte. A excepción de algunas garantías implicadas por leyes estatales o provinciales, limitadas por la presente, la anteriormente citada garantía, expresamente limitada, es exclusiva y sustituye a cualquier otra garantía, acuerdo u obligación similar de Festool.

Esta garantía le concede derechos legales específicos y usted podría tener otros derechos legales que varían de estado a estado en EE.UU. y de provincia a provincia en Canadá.

Free Manuals Download Website

<http://myh66.com>

<http://usermanuals.us>

<http://www.somanuals.com>

<http://www.4manuals.cc>

<http://www.manual-lib.com>

<http://www.404manual.com>

<http://www.luxmanual.com>

<http://aubethermostatmanual.com>

Golf course search by state

<http://golfingnear.com>

Email search by domain

<http://emailbydomain.com>

Auto manuals search

<http://auto.somanuals.com>

TV manuals search

<http://tv.somanuals.com>