

Instruction manual

Page 3

IMPORTANT: *Read and understand all instructions before using.*

Guide d'utilisation

Page 15

IMPORTANT: *Lire et comprendre toutes les instructions avant de démarrer les travaux.*

Manual de instrucciones

Pagina 27

IMPORTANTE: *Lea y comprende todas las instrucciones antes de usar.*

Instruction manual
Guide d'utilisation
Manual de instrucciones


RO 125 FEQ



Contents

Safety instructions	3
Technical data	3
Symbols	3
Intended use	5
Electrical connection and operation.	5
Extension cord	6
Electronic control	6
Tool settings	7
Dust extraction	7
Edge protector	7
Sanding motion	7
Choice and installation of sanding pads	8
Attaching the abrasive	9
Securing polishing attachments	9
Working with the tool	9
Metalworking	10
Systainer	10
Maintenance and care	10
Sanding pad brake	11
Accessories, tools	11
Warranty	11
Conditions of 1+2 Warranty	11
Festool Limited Warranty	11
Table A: Sanding	13
Table B: Polishing	13

Technical data

ROTEX RO 125 FEQ	
Wattage	500 W
No load speed	3000 - 6000 rpm
Sanding stroke	3.6 mm (0.14 in.)
Sanding base dia.	125 mm (4.9 in.)
Weight	1.9 kg (4.2 lbs.)
Safety level	 /II

Symbols




Warning of general danger



Read the Operating Instructions/Notes!



Wear protective goggles

V	Volts
A	Amperes
Hz	Hertz
W	Watt
~	Alternating current
n_0	No load speed
	Class II Construction
min^{-1}	
rpm	Revolutions per minute
\emptyset	Diameter

Safety instructions



WARNING! Read all safety warnings and all instructions. Failure to follow the warnings and instructions may result in electric shock, fire and/or serious injury.

Save all warnings and instructions for future reference.

The term "power tool" in the warnings refers to your mains-operated (corded) power tool or battery-operated (cordless) power tool.

1 WORK AREA SAFETY

- Keep work area clean and well lit.** Cluttered and dark areas invite accidents.
- Do not operate power tools in explosive atmospheres, such as in the**

presence of flammable liquids, gases or dust. Power tools create sparks which may ignite the dust or fumes.

- Keep children and bystanders away while operating a power tool.** Distractions can cause you to lose control.

2 ELECTRICAL SAFETY

- Power tool plugs must match the outlet. Never modify the plug in any way. Do not use any adapter plugs with earthed (grounded) power tools.** Unmodified plugs and matching outlets will reduce risk of electric shock.
- Avoid body contact with earthed or grounded surfaces, such as pipes, radiators, ranges and refrigerators.** There is an increased risk of electric shock if your body is earthed or grounded.

- c) **Do not expose power tools to rain or wet conditions.** Water entering a power tool will increase the risk of electric shock.
- d) **Do not abuse the cord. Never use the cord for carrying, pulling or unplugging the power tool. Keep cord away from heat, oil, sharp edges or moving parts.** Damaged or entangled cords increase the risk of electric shock.
- e) **When operating a power tool outdoors, use an extension cord suitable for outdoor use.** Use of a cord suitable for outdoor use reduces the risk of electric shock.
- f) **If operating a power tool in a damp location is unavoidable, use a residual current device (RCD) protected supply.** Use of an RCD reduces the risk of electric shock.

3 PERSONAL SAFETY

- a) **Stay alert, watch what you are doing and use common sense when operating a power tool. Do not use a power tool while you are tired or under the influence of drugs, alcohol or medication.** A moment of inattention while operating power tools may result in serious personal injury.
- b) **Use personal protective equipment. Always wear eye protection.** Protective equipment such as dust mask, non skid safety shoes, hard hat, or hearing protection used for appropriate conditions will reduce personal injuries.
- c) **Prevent unintentional starting. Ensure the switch is in the off-position before connecting to power source and/or battery pack, picking up or carrying the tool.** Carrying power tools with your finger on the switch or energising power tools that have the switch on invites accidents.
- d) **Remove any adjusting key or wrench before turning the power tool on.** A wrench or a key left attached to a rotating part of the power tool may result in personal injury.
- e) **Do not overreach. Keep proper footing and balance at all times.** This enables better control of the power tool in unexpected situations.
- f) **Dress properly. Do not wear loose clothing or jewellery. Keep your hair,**

clothing and gloves away from moving parts. Loose clothes, jewellery or long hair can be caught in moving parts.

- g) **If devices are provided for the connection of dust extraction and collection facilities, ensure these are connected and properly used.** Use of dust collection can reduce dust-related hazards.

4 POWER TOOL USE AND CARE

- a) **Do not force the power tool. Use the correct power tool for your application.** The correct power tool will do the job better and safer at the rate for which it was designed.
- b) **Do not use the power tool if the switch does not turn it on and off.** Any power tool that cannot be controlled with the switch is dangerous and must be repaired.
- c) **Disconnect the plug from the power source and/or battery pack from the power tool before making any adjustments, changing accessories, or storing power tools.** Such preventive safety measures reduce the risk of starting the power tool accidentally.
- d) **Store idle power tools out of the reach of children and do not allow persons unfamiliar with the power tool or these instructions to operate the power tool.** Power tools are dangerous in the hands of untrained users.
- e) **Maintain power tools. Check for misalignment or binding of moving parts, breakage of parts and any other condition that may affect the power tool's operation. If damaged, have the power tool repaired before use.** Many accidents are caused by poorly maintained power tools.
- f) **Keep cutting tools sharp and clean.** Properly maintained cutting tools with sharp cutting edges are less likely to bind and are easier to control.
- g) **Use the power tool, accessories and tool bits etc. in accordance with these instructions taking into account the working conditions and the work to be performed.** Use of the power tool for operations different from those intended could result in a hazardous situation.

5 BATTERY TOOL USE AND CARE

- a) **Recharge only with the charger specified by the manufacturer.** A charger that is suitable for one type of battery pack may create a risk of fire when used with another battery pack.
- b) **Use power tools only with specifically designated battery packs.** Use of any other battery packs may create a risk of injury and fire.
- c) **When battery pack is not in use, keep it away from other metal objects like paper clips, coins, keys, nails, screws, or other small metal objects that can make a connection from one terminal to another.** Shorting the battery terminals together may cause burns or a fire.
- d) **Under abusive conditions, liquid may be ejected from the battery; avoid contact. If contact accidentally occurs, flush with water. If liquid contacts eyes, additionally seek medical help.** Liquid ejected from the battery may cause irritation or burns.

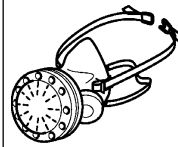
6 SERVICE

- a) **Have your power tool serviced by a qualified repair person using only identical replacement parts.** This will ensure that the safety of the power tool is maintained.

⚠ WARNING Various dust created by power sanding, sawing, grinding, drilling and other construction activities contains chemicals known (to the State of California) to cause cancer, birth defects or other reproductive harm. Some examples of these chemicals are:

- Lead from lead-based paints,
- Crystalline silica from bricks and cement and other masonry products,
- Arsenic and chromium from chemically-treated lumber.

The risk from these exposures varies, depending on how often you do this type of work.



To reduce your exposure to these chemicals work in a well ventilated area and use approved safety equipment, such as dust masks that are specially designed to filter out microscopic particles.

⚠ WARNING TO REDUCE THE RISK OF INJURY, USER MUST READ INSTRUCTION MANUAL.

Intended use

The sanders are designed for sanding and polishing wood, plastic, metal, composite materials, paint/varnish, filler and similar materials.

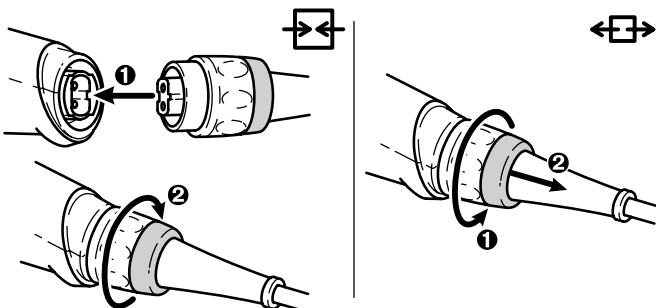
Do not use with materials containing asbestos.

The tools must not be used when wet or

damp, or operated in a damp environment, for electrical safety reasons. Use this sander only for dry sanding.

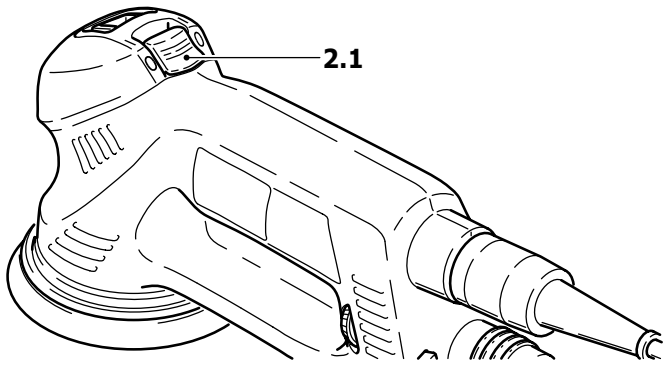
⚠ WARNING The user bears sole responsibility for any damage or accidents resulting from incorrect use.

Electrical connection and operation



The mains voltage must correspond to the voltage on the rating plate!

See the following figure for connection and disconnection of the power cord.



⚠ WARNING Always switch the tool off before connecting or disconnecting the power cord!

To switch on the tool, press the switch (2.1) downwards and forwards until it locks into place. To switch off, press the switch downwards - this releases the switch lock and it goes into the OFF position.

Extension cord

If an extension cord is required, it must have sufficient cross-section to prevent an excessive drop in voltage or overheating. An excessive drop in voltage reduces the output and can lead to failure of the motor. The table below shows you the correct cord diameter as a function of the cord length for the RO 125 FEQ.

Total Extension Cord Length (feed)	25	50	100	150
Cord Size (AWG)	18	16	16	14

Use only U.L. and CSA listed extension cords. Never use two extension cords together. Instead, use one long one.

Note: The lower the AWG number, the stronger the cord.

Electronic control



The tool has full-wave electronics with the following features:

Smooth start-up

The smooth start-up ensures jolt-free startup.

Speed adjustment

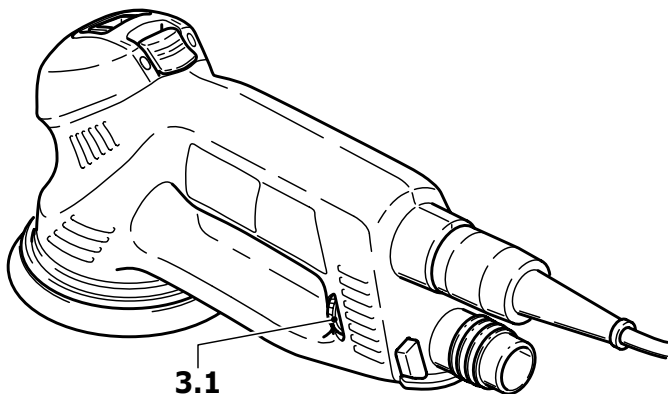
You can regulate the speed steplessly between 3000 and 6000 rpm using the adjusting wheel (3.1). This lets you optimize the sanding speed to suit the material.

Constant speed

The pre-selected speed remains constant whether the tool is in operation or in neutral position.

Temperature control

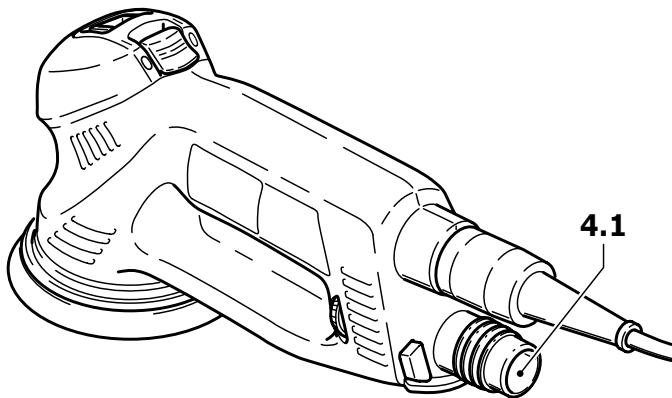
To prevent overheating, the safety elec-



tronics switch the tool off when it reaches a critical motor temperature. Let the tool cool down for approx. 3-5 minutes before using it again. The tool requires less time to cool down if it is running, i.e. in neutral position.

Tool settings

⚠ WARNING Always remove the power plug from the socket before carrying out any work on the power tool.

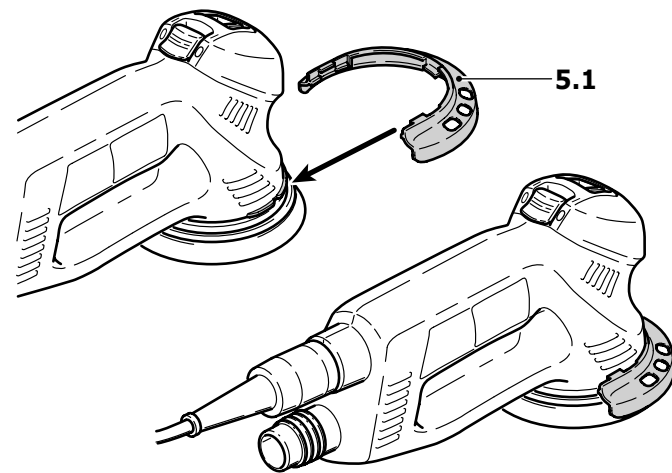


Dust extraction



Always connect the tool to a dust extractor.

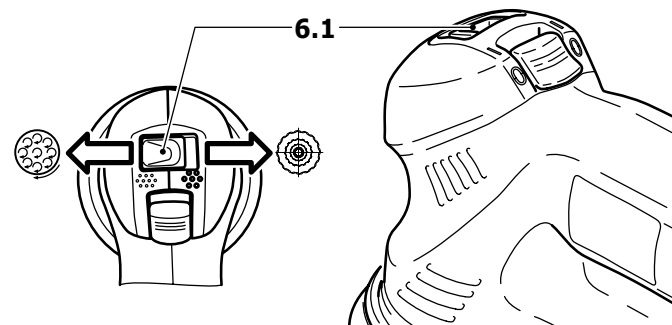
You can connect a Festool extractor with an extractor hose diameter of 27 mm to the dust extraction port (4.1).



Edge protector

The edge protector (5.1) prevents the sanding pad from touching the edge perpendicular to a surface (e.g. when sanding along a wall), thereby preventing the machine from rebounding.

Assembly: Slide the edge protector onto the machine until it latches into place.



Sanding motion

You can use the switch (6.1) to set two different sanding motions.

⚠ CAUTION The change can only be made when the sanding pad is stationary, as the switch is locked in place during operation for safety reasons.

Rotex rotary motion (coarse sanding, polishing)



The Rotex rotary motion is a combination of rotary and eccentric motions. This motion is recommended for sanding with aggressive material

removal (coarse sanding) and polishing.

Slide the switch (6.1) into the right position.

Eccentric motion (fine sanding)



This motion is recommended for sanding with low material removal for a scratch-free finish (fine sanding).

Press the switch (6.1) down and push it into the left-hand position.

Choice and installation of sanding pads

Choice of sanding pad

The tool can be fitted with three sanding pads of different hardnesses depending on the surface to be sanded.

Hard: Coarse sanding on surfaces, sanding at edges.

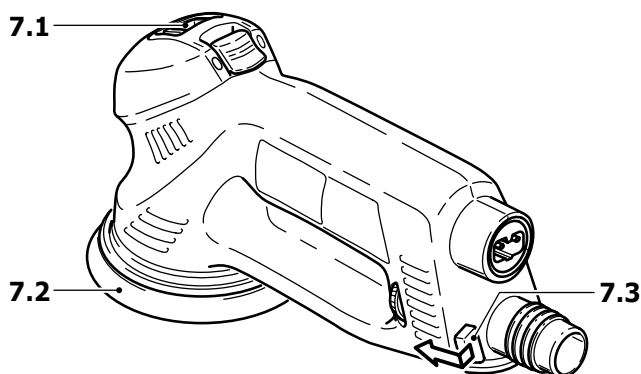
Soft: Universal use for coarse and fine sanding for flat and curved surfaces.

Super-soft: Fine sanding on formed parts, curves, radii. Do not use on edges!

Installation

The FastFix system enables tool-free replacement of the sanding pad:

- Set the switch (7.1) to the right for the Rotex rotary motion,
- Press spindle stop (7.3), direction of movement first to the side, then forwards,
- Turn the fitted sanding disk (7.2) from the spindle (right-handed thread),
- Keep the spindle stop pressed and screw on the new sanding pad (in doing so, make sure that the rubber collar (10.1) is correctly fitted!),
- Let go of the spindle stop.



CAUTION Actuate the spindle stop only when the drive spindle is stationary. Do not switch on the motor when the spindle stop is pressed in.

Attaching the abrasive



Stickfix is a hook-and-loop fastening system. Stickfix sanding pads allow the use of self-adhesive hook-and-loop abrasives such as Stickfix sandpapers and sanding cloths.

Simply press the abrasive onto the sanding pad (7.2) and pull it off again after use.

Please note: Use only abrasives with an undamaged Stickfix hook-and-loop coating. Before use, check that the coating has not been damaged by improper use (such as overheating).

Securing polishing attachments

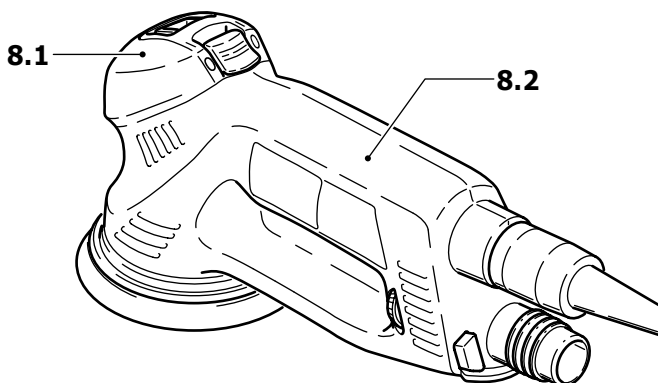
To prevent damage, use PoliStick polishing attachments (sponges, felt, lambswool bonnets) only with the special polishing pad fitted on the tool instead of a sanding pad. Like StickFix abrasives, the PoliStick polishing attachments are simply pressed onto the polishing pad and pulled off after use.

Working with the tool

⚠ WARNING Always secure the workpiece in such a manner that it cannot move while being sanded.

⚠ CAUTION Never overload the tool by using too much pressure! The best sanding results are achieved when applying moderate pressure. Sanding performance and quality depend primarily on the choice of the right abrasive.

For safe guidance, hold the tool with one hand on the motor housing (8.2) and the other hand on the gear head (8.1).



Tables A and B show the settings we recommend for different sanding and polishing work.

Metalworking

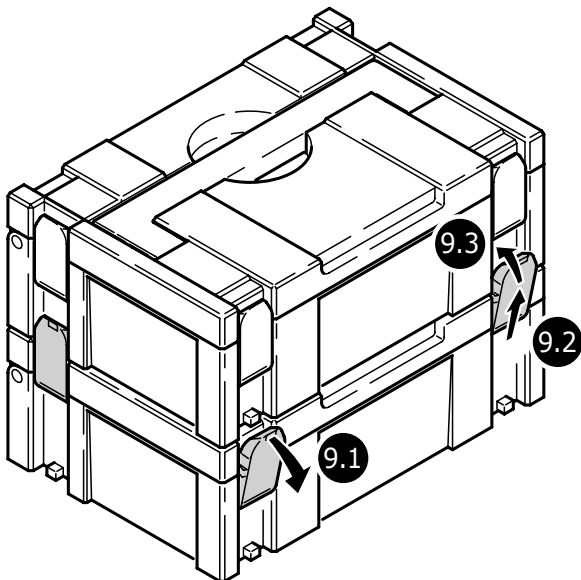
⚠ WARNING Observe the following safety precautions when working on metals:

- Pre-connect a residual current circuit-breaker (FI, PRCD).
- Connect the tool to a suitable dust extractor.
- Regularly clear out any dust accumulations in the motor housing.



Wear protective goggles.

Systainer



Many Festool products are shipped in a unique system container, called "Systainer". This provides protection and storage for the tool and accessories. The Systainers are stackable and can be interlocked together. They also can be interlocked atop Festool CT dust extractors.

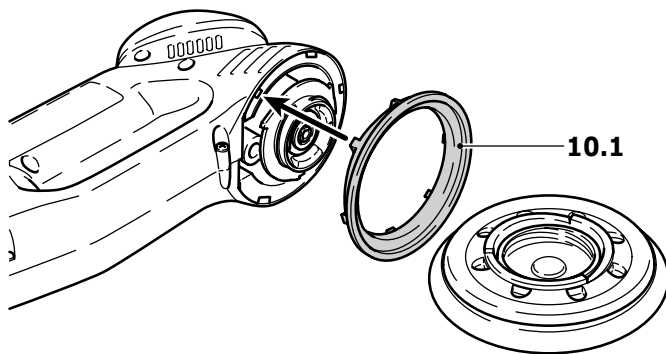
- Place one systainer on top of the other.
- Release all four latches on the lower systainer by pulling back at their top edges (9.1).
- Slide all four latches upward (9.2).
- Snap all four latches back to their flat position (9.3) so they engage the stacking tabs of the upper systainer.

Maintenance and care

⚠ WARNING All maintenance or repair work requiring the motor housing to be opened must be carried out only by an authorized service workshop. Maintenance or repair work carried out by an unauthorized person can lead to the incorrect connection of the wiring or other components, which in turn can lead to accidents with serious consequences.

⚠ WARNING Always remove the plug from the mains supply socket before carrying out any work on the machine!

Always keep the tool and in particular the ventilation slots clean.



Sanding pad brake

The rubber collar (10.1) prevents the sanding pad from revving up to maximum speed in an uncontrolled manner during eccentric motion (fine sanding) .

Because the collar wears down in the course of time, it must be replaced by a new one (order no. 463 357) as soon as there is any reduction in the braking effect.

Accessories, tools

⚠ WARNING For safety reasons, only use original Festool accessories and tools!

The accessory and tool order number can be found in the Festool catalog or on the Internet under **www.festool-usa.com**.

Warranty

Conditions of 1+2 Warranty

You are entitled to a free extended warranty (1 year + 2 years = 3 years) for your Festool power tool. Festool shall be responsible for all shipping costs during the first year of the warranty. During the second and third year of the warranty the customer is responsible for shipping the tool to Festool. Festool will pay for return shipping to the customer using UPS Ground Service. All warranty service is valid 3 years from the date of purchase on your receipt or invoice.

Festool Limited Warranty

This warranty is valid only on condition that the tool is used and operated in compliance with the Festool operating instructions. Festool warrants, only to the original consumer purchaser, that the specified tool will be free from defects in materials and workmanship for a term of one year from the date of procurement. Festool makes no other war-

ranty, express or implied, for Festool portable power tools. No agent, representative, distributor, dealer or employee of Festool has the authority to increase or otherwise change the obligations or limitations of this warranty. The obligations of Festool in its sole discretion under this warranty shall be limited to the repair or replacement of any Festool portable power tool that is found to be defective as packaged with the User Manual.

Excluded from coverage under this warranty are: normal wear and tear; damages caused by misuse, abuse or neglect; damage caused by anything other than defects in material and workmanship. This warranty does not apply to accessory items such as circular saw blades, drill bits, router bits, jigsaw blades, sanding belts, and grinding wheels. Also excluded are "wearing parts", such as carbon brushes, vanes of air tools, rubber collars and seals, sanding discs and pads, and batteries.

Festool portable power tools requiring re-

placement or repair are to be returned with the receipt of purchase to Festool (call 800-554-8741 for address details).

IN NO EVENT SHALL FESTOOL BE LIABLE FOR ANY CONSEQUENTIAL OR INCIDENTAL DAMAGES FOR BREACH OF THIS OR ANY OTHER WARRANTY, EXPRESSED OR IMPLIED WHATSOEVER. ALL WARRANTIES IMPLIED BY STATE LAW, INCLUDING THE IMPLIED WARRANTIES OF MERCHANTABILITY AND FITNESS FOR A PARTICULAR PURPOSE, ARE HEREBY LIMITED TO THE DURATION OF THREE YEARS.

Some states in the U.S. and some Canadian provinces do not allow the limitations on how long an implied warranty lasts, so the above limitation may not apply to you. With the exception of any warranties implied by state or province law as hereby limited, the foregoing express limited warranty is exclusive and in lieu of all other warranties, guarantees, agreements and similar obligations of Festool.

This warranty gives you specific legal rights and you may also have other rights which vary from state to state in the U.S. and province to province in Canada.

Table A: Sanding


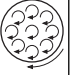









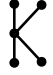

Table A: Sanding	Coarse sanding			Fine sanding		
	 			 		
 Paintwork, filler	X	5 - 6	soft	X	1 - 3	super soft
 Paintwork, paint	X	5 - 6	hard	X	3 - 6	hard
 Wood, veneered surface	X	5 - 6	hard	X	3 - 6	soft
 Plastics	X X	4 - 6	soft	X	1 - 4	soft
 Steel, copper, aluminium	X	6	soft	X	3 - 6	soft

Table B: Polishing


Table B: Polishing		Polishing	Sealing	High-gloss polishing
Paintwork		6	3	4 - 6
		Sponge, coarse/fine	Sponge, fine, honeycombed	Sheepskin
		Polishing paste	Hard wax	-
Plastics		6	3	6
		Felt, hard	Felt, soft	Sheepskin
		Polishing paste	Hard wax	-

Table des matières

Consignes de sécurité.....	15
Caractéristiques techniques	15
Symbole	15
Utilisation conforme	18
Raccordement électrique et mise en service	18
Câble de rallonge.....	19
Réglage électronique.....	19
Réglages de l'outil.....	20
Aspiration.....	20
Protection des arêtes	20
Mouvement de ponçage.....	20
Choix et montage des supports de ponçage	21
Fixer l'abrasif.....	22
Fixation du produit de polissage	22
Travailler avec l'outil.....	22
Traitement des métaux.....	23
Systainer	23
Entretien et maintenance	24
Frein de patin	24
Accessoires et outils.....	24
Garantie	24
Conditions de la garantie (1+2 ans) ..	24
Garantie limitée de Festool.....	25
Tableau A: Ponçage.....	26
Tableau B: Polissage	26

Caractéristiques techniques

ROTEX RO 125 FEQ

Puissance absorbée	500 W
Vitesse à vide	3 000 - 6 000 tr/min
Amplitude	3.6 mm (0.14 in.)
Patin de ponçage, Ø	125 mm (4.9 in.)
Poids	1.9 kg (4.2 lbs.)
Sécurité	 /II

Symbole




Avertissement de danger



Lire les instructions / les remarques !



Portez des lunettes de protection.

V	Volt
A	Ampère
Hz	Hertz
W	Watt
~	Tension alternative
n_0	Vitesse de rotation à vide
	Construction de classe II
min^{-1}	
tr/min	Tours par minute
Ø	Diamètre

Consignes de sécurité



ATTENTION ! Lire toutes les consignes de sécurité et indications. Le non-respect des avertissements et instructions indiqués ci-après peut entraîner un choc électrique, un incendie et/ou de graves blessures.

Conserver tous les avertissements et toutes les instructions pour pouvoir s'y reporter ultérieurement.

Le terme " outil " dans les avertissements fait référence à votre outil électrique alimenté par le secteur (avec cordon d'alimentation) ou votre outil fonctionnant sur batterie (sans cordon d'alimentation).

1 PLACE DE TRAVAIL

- Maintenez l'endroit de travail propre et bien éclairé.** Un lieu de travail en désordre ou mal éclairé augmente le risque d'accidents.
- N'utilisez pas l'appareil dans un environnement présentant des risques d'explosion et où se trouvent des liquides, des gaz ou poussières inflammables.** Les outils électroportatifs génèrent des étincelles risquant d'enflammer les poussières ou les vapeurs.
- Tenez les enfants et autres personnes éloignés durant l'utilisation de l'outil électroportatif.** En cas d'inattention vous

risquez de perdre le contrôle sur l'appareil.

2 SECURITE RELATIVE AU SYSTEME ELECTRIQUE

- a) **La fiche de secteur de l'outil électroportatif doit être appropriée à la prise de courant. Ne modifiez en aucun cas la fiche. N'utilisez pas de fiches d'adaptateur avec des appareils avec mise à la terre.** Les fiches non modifiées et les prises de courant appropriées réduisent le risque de choc électrique.
- b) **Evitez le contact physique avec des surfaces mises à la terre tels que tuyaux, radiateurs, fours et réfrigérateurs.** Il y a un risque élevé de choc électrique au cas où votre corps serait relié à la terre.
- c) **N'exposez pas l'outil électroportatif à la pluie ou à l'humidité.** La pénétration d'eau dans un outil électroportatif augmente le risque d'un choc électrique.
- d) **N'utilisez pas le câble à d'autres fins que celles prévues, n'utilisez pas le câble pour porter l'appareil ou pour l'accrocher ou encore pour le débrancher de la prise de courant. Maintenez le câble éloigné des sources de chaleur, des parties grasses, des bords tranchants ou des parties de l'appareil en rotation.** Un câble endommagé ou torsadé augmente le risque d'un choc électrique.
- e) **Au cas où vous utiliseriez l'outil électroportatif à l'extérieur, utilisez une rallonge autorisée homologuée pour les applications extérieures.** L'utilisation d'une rallonge électrique homologuée pour les applications extérieures réduit le risque d'un choc électrique.
- f) **Si l'usage d'un outil dans un emplacement humide est inévitable, utiliser une alimentation protégée par un dispositif à courant différentiel résiduel (RCD).** L'usage d'un RCD réduit le risque de choc électrique.

3 SECURITE DES PERSONNES

- a) **Restez vigilant, surveillez ce que vous faites. Faites preuve de bon en utilisant l'outil électroportatif. N'utilisez pas l'appareil lorsque vous êtes fatigué ou après avoir consommé de**

l'alcool, des drogues ou avoir pris des médicaments. Un moment d'inattention lors de l'utilisation de l'appareil peut entraîner de graves blessures sur les personnes.

- b) **Portez des équipements de protection. Portez toujours des lunettes de protection.** Le fait de porter des équipements de protection personnels tels que masque anti-poussières, chaussures de sécurité antidérapantes, casque de protection ou protection acoustique suivant le travail à effectuer, réduit le risque de blessures.
- c) **Evitez une mise en service par mégarde. Assurez-vous que l'interrupteur est effectivement en position d'arrêt avant de retirer la fiche de la prise de courant.** Le fait de porter l'appareil avec le doigt sur l'interrupteur ou de brancher l'appareil sur la source de courant lorsque l'interrupteur est en position de fonctionnement, peut entraîner des accidents.
- d) **Enlevez tout outil de réglage ou toute clé avant de mettre l'appareil en fonctionnement.** Une clé ou un outil se trouvant sur une partie en rotation peut causer des blessures.
- e) **Ne surestimez pas vos capacités. Veillez à garder toujours une position stable et équilibrée.** Ceci vous permet de mieux contrôler l'appareil dans des situations inattendues.
- f) **Portez des vêtements appropriés. Ne portez pas de vêtements amples, ni de bijoux. Gardez les cheveux et les vêtements à distance des pièces mobiles.** Des vêtements amples, des bijoux ou des cheveux longs peuvent être happés par les pièces en mouvement.
- g) **Si des dispositifs servant à aspirer ou à recueillir les poussières doivent être utilisés, vérifiez que ceux-ci soient effectivement raccordés et qu'ils sont correctement utilisés.** L'utilisation de tels dispositifs réduit les dangers dus aux poussières.

4 UTILISATION ET EMPLOI SOIGNEUX DE L'OUTIL ELECTROPORTATIF

- a) **Ne surchargez pas l'appareil. Utilisez l'outil électroportatif approprié au travail à effectuer.** Avec l'outil électro-

portatif approprié, vous travaillerez mieux et avec plus de sécurité à la vitesse pour laquelle il est prévu.

- b) **N'utilisez pas un outil électroportatif dont l'interrupteur est défectueux.** Un outil électroportatif qui ne peut plus être mis en ou hors fonctionnement est dangereux et doit être réparé.
- c) **Retirer la fiche de la prise de courant avant d'effectuer des réglages sur l'appareil, de changer les accessoires, ou de ranger l'appareil.** Cette mesure de précaution empêche une mise en fonctionnement par mégarde.
- d) **Gardez les outils électroportatifs non utilisés hors de portée des enfants. Ne permettez pas l'utilisation de l'appareil à des personnes qui ne se sont pas familiarisées avec celui-ci ou qui n'ont pas lu ces instructions.** Les outils électroportatifs sont dangereux lorsqu'ils sont utilisés par des personnes non initiées.
- e) **Prenez soin des outils électroportatifs. Vérifiez que les parties en mouvement fonctionnent correctement et qu'elles ne soient pas coincées, et contrôlez si des parties sont cassées ou endommagées de telle sorte que le bon fonctionnement de l'appareil s'en trouve entravé. Faites réparer les parties endommagées avant d'utiliser l'appareil.** De nombreux accidents sont dus à des outils électroportatifs mal entretenus.
- f) **Maintenez les outils de coupe aiguisés et propres.** Des outils soigneusement entretenus avec des bords tranchants bien aiguisés se coincent moins souvent et peuvent être guidés plus facilement.
- g) **Utilisez les outils électroportatifs, les accessoires, les outils à monter etc. conformément à ces instructions et aux prescriptions en vigueur pour ce type d'appareil. Tenez compte également des conditions de travail et du travail à effectuer.** L'utilisation des outils

électroportatifs à d'autres fins que celles prévues peut entraîner des situations dangereuses.

5 UTILISATION ET EMPLOI SOIGNEUX DES APPAREILS SANS FIL

- a) **Ne chargez les accumulateurs que dans des chargeurs recommandés par le fabricant.** Un chargeur approprié à un type spécifique d'accumulateur peut engendrer un risque d'incendie lorsqu'il est utilisé avec d'autres accumulateurs.
- b) **Dans les outils électroportatifs, n'utilisez que les accumulateurs spécialement prévus pour celui-ci.** L'utilisation de tout autre accumulateur peut entraîner des blessures et des risques d'incendie.
- c) **Tenez l'accumulateur non-utilisé à l'écart de toutes sortes d'objets métalliques tels qu'agrafes, pièces de monnaie, clés, clous, vis ou autres, étant donné qu'un pontage peut provoquer un court-circuit.** Un court-circuit entre les contacts d'accu peut provoquer des brûlures ou un incendie.
- d) **En cas d'utilisation abusive, du liquide peut sortir de l'accumulateur. Évitez tout contact avec ce liquide. En cas de contact par mégarde, rincez soigneusement avec de l'eau. Au cas où le liquide rentrerait dans les yeux, consultez en plus un médecin.** Le liquide qui sort de l'accumulateur peut entraîner des irritations de la peau ou causer des brûlures.

6 SERVICE

- a) **Ne faites réparer votre outil électroportatif que par un personnel qualifié et seulement avec des pièces de rechange d'origine.** Ceci permet d'assurer la sécurité de l'appareil.

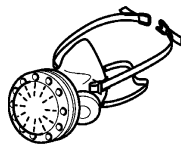
AVERTISSEMENT POUR RÉDUIRE LE RISQUE DE DOMMAGES, L'UTILISATEUR DOIT LIRE LE MANUEL D'INSTRUCTION.

AVERTISSEMENT Certaines poussières créées par le ponçage mécanique, le sciage, le meulage, le perçage et autres activités reliées à la construction contiennent des substances chimiques connues (dans l'État de la Californie) comme pouvant causer le cancer, des anomalies congénitales ou représenter d'autres dangers pour la reproduction. Voici quelques exemples de telles substances:

- plomb provenant de peintures à base de plomb,
- silice cristallisée utilisée dans les briques, le ciment et autres matériaux de maçonnerie, et

- arsenic et chrome du bois d'œuvre traité avec un produit chimique.

Le risque d'exposition à de tels produits varie selon la fréquence à laquelle vous faites ce genre de travail.



Pour réduire les risques d'exposition à ces substances chimiques : travaillez dans un endroit adéquatement ventilé et utilisez un équipement de sécurité approuvé, tel que masques antipoussières spécialement conçus pour filtrer les particules microscopiques.

Utilisation conforme

L'outil est conçu pour le ponçage et le polissage des matériaux suivants : bois, plastique, métal, aggloméré, peinture/laque, mastic et matériaux similaires.

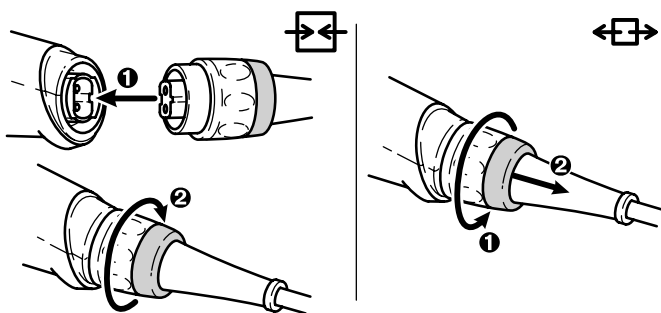
Il est interdit de travailler des matériaux contenant de l'amiante.

Pour des raisons de sécurité électrique,

l'outil ne doit pas être humide ni fonctionner dans un endroit humide. Il ne faut utiliser l'outil que pour un ponçage sec.

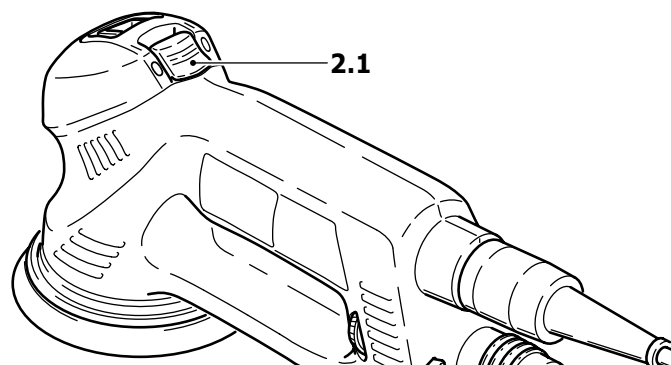
AVERTISSEMENT En cas d'une utilisation non conforme, la responsabilité des dommages et accidents incombe à l'utilisateur.

Raccordement électrique et mise en service



La tension du réseau doit correspondre à celle indiquée sur la plaque signalétique! Voir la connexion et la déconnexion du câble de raccordement secteur sur la figure ci-dessous.

AVERTISSEMENT Avant de brancher ou de débrancher le câble de raccordement secteur, il est absolument indispensable de toujours éteindre l'outil!



Pour mettre l'outil en marche, appuyez sur l'interrupteur (2.1) et poussez-le vers l'avant jusqu'à ce qu'il s'encliquette. Pour l'arrêter, appuyez sur l'interrupteur - ce dernier se déverrouille et revient à la position « OFF ».

Câble de rallonge

Si une rallonge électrique est nécessaire, elle doit présenter une section suffisante pour éviter une chute de tension excessive ou une surchauffe. Une chute de tension excessive réduit la puissance et peut entraîner une défaillance du moteur. Le tableau suivant vous présente la section correcte du câble en fonction de sa longueur pour la norme RO 125 FEQ.

Longueur totale rallonge (pieds)	25	50	100	150
Section du câble (AWG)	18	16	16	14

Utilisez exclusivement des rallonges recommandées par les organismes U.L. et CSA. N'utilisez jamais deux rallonges branchées l'une après l'autre, mais remplacez-les par une rallonge plus longue.

Remarque : plus le numéro AWG est petit, plus la section du câble est grande.

Réglage électronique



Cet outil contient un dispositif électronique à double alternance présentant les caractéristiques suivantes :

Démarrage progressif

Le démarrage progressif assure un fonctionnement sans à-coups de l'outil.

Réglage de la vitesse

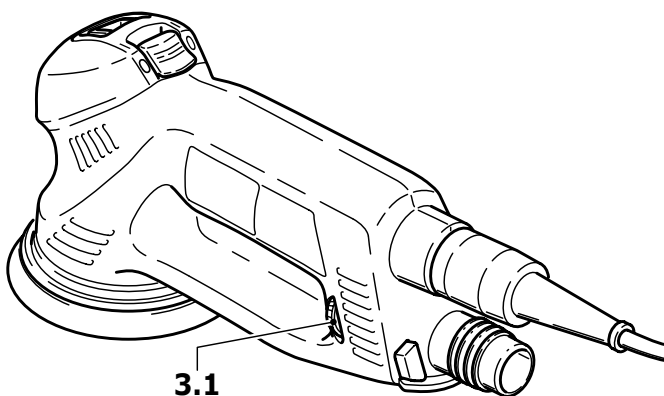
Le régime est réglé en continu au moyen de la molette (3.1) entre 3 000 et 6 000 tr/min. Vous pouvez ainsi adapter de façon optimale la vitesse de coupe à chaque matériau.

Régime constant

Le régime sélectionné reste constant pendant que l'outil est en fonctionnement ou en position neutre.

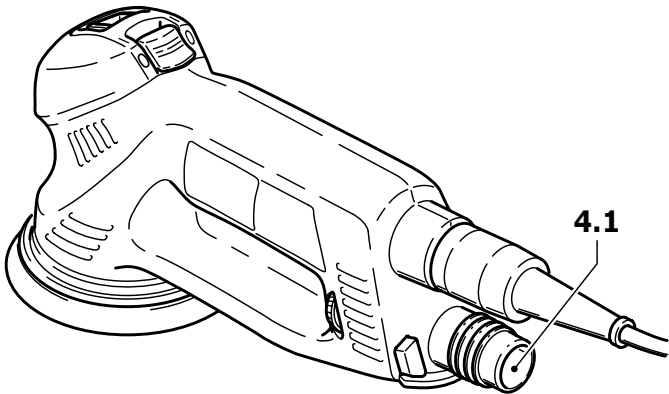
Contrôle de la température

Pour assurer une protection contre la surchauffe, le système électronique de sécurité arrête l'outil dès que le moteur atteint une certaine température. Après une période de refroidissement de 3 à 5 minutes environ, l'outil est à nouveau prêt à être utilisé. Le temps de refroidissement diminue lorsque l'outil fonctionne (marche à vide).



Réglages de l'outil

AVERTISSEMENT Avant de faire quelque entretien sur l'outil, débranchez-le!



Aspiration

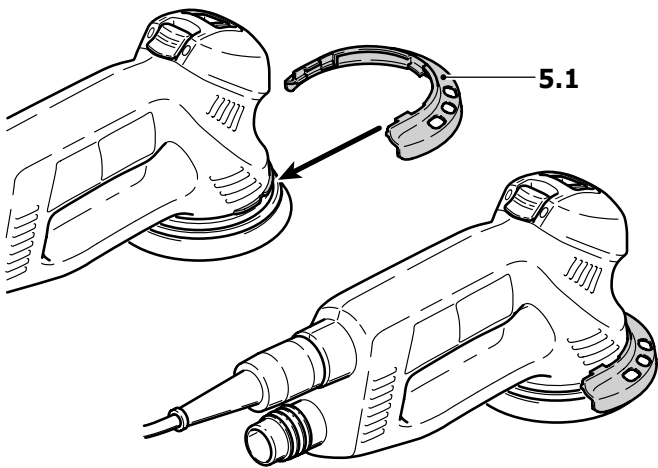
Raccordez toujours l'outil à un capteur de poussière.

Vous pouvez raccorder un aspirateur Festool doté d'un embout flexible de 27 mm (4.1).

Protection des arêtes

La protection des arêtes (5.1) évite que les bords du plateau de ponçage n'entrent en contact avec une surface quelconque (par exemple lors du ponçage le long d'un mur), ce qui empêche également tout rebond éventuel de l'outil.

Montage : faites glisser la protection des arêtes jusqu'à ce qu'elle s'enclenche sur l'outil.



Mouvement de ponçage

Le commutateur (6.1) permet de régler deux mouvements de ponçage différents.

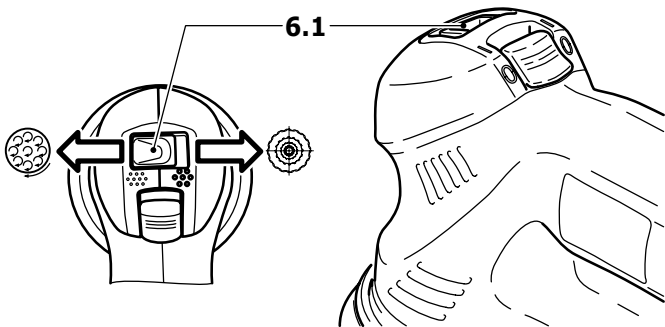
MISE EN GARDE Le réglage ne peut être effectué que lorsque le patin de ponçage est immobile car, pour des raisons de sécurité, le commutateur est verrouillé pendant le travail.

Mouvement rotatif Rotex (dégrossissage, polissage)



Le mouvement rotatif Rotex est une combinaison de mouvements rotatifs et excentriques. Cette position est conçue pour un ponçage grossier (dégrossissage) et au polissage.

Poussez le commutateur (6.1) vers la droite.



Mouvement excentrique (ponçage fin)



Cette position est conçue pour un dégrossissage moins puissant pour une surface exempte de rayures (ponçage fin).

Appuyez sur le commutateur (6.1) et poussez-le vers la gauche.

Choix et montage des supports de ponçage

Choix des supports de ponçage

L'appareil peut être équipé de trois disques de ponçage de dureté différente en fonction de la surface à traiter.

Dur : ponçage grossier sur des surfaces, meulage des arêtes.

Souple : universel pour ponçage grossier et fin pour les surfaces planes et bombées.

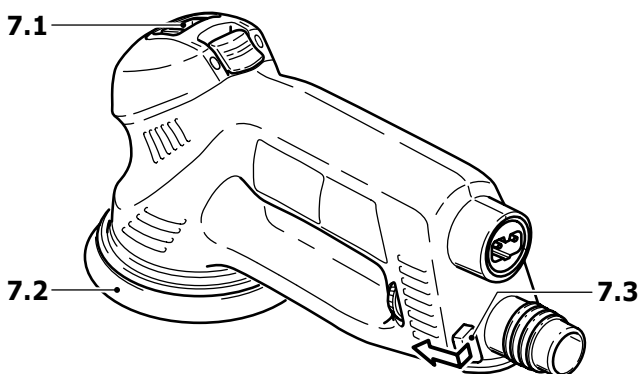
Très souple : ponçage fin sur des pièces formées, des cintres, des rayons. Ne pas utiliser sur des arêtes!

Montage

Le système FastFix permet de changer le patin de ponçage sans outil :

- Poussez le commutateur (7.1) vers la droite (mouvement rotatif Rotex).
- Poussez le blocage d'arbre (7.3), d'abord latéralement - sens du mouvement, puis vers l'avant.
- Faites tourner le plateau de ponçage (7.2) autour de l'arbre (filetage à droite).
- Maintenez le blocage d'arbre appuyé et vissez le nouveau patin de ponçage (veillez alors à ce que le manchon en caoutchouc (10.1) soit monté correctement !).
- Relâchez le blocage d'arbre.

⚠ MISE EN GARDE Actionnez le blocage de l'arbre uniquement lors de l'arrêt total de l'arbre moteur. N'actionnez jamais le moteur lors du blocage.



Fixer l'abrasif



Stickfix est un système de fixation de type auto-agrippant. Sur les patins de ponçage Stickfix, vous pouvez fixer tous les types d'abrasif auto-agrippants.

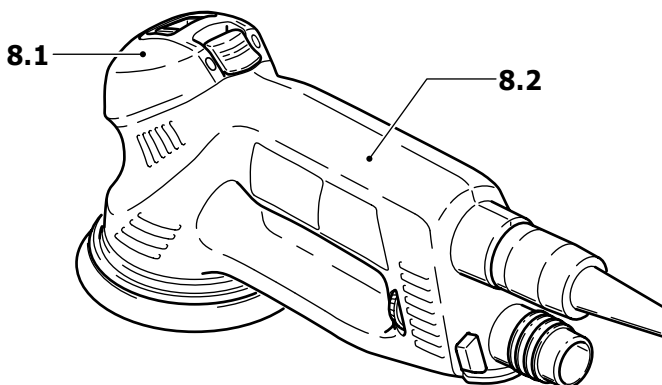
Posez-le simplement sur le patin (7.2) et retirez-le après utilisation.

Attention : Utilisez uniquement des patins Stickfix dont l'état de la surface auto-agrippante est impeccable. Avant l'utilisation, vérifiez si la surface n'a pas subi de dégradation suite à un échauffement.

Fixation du produit de polissage

Afin d'éviter toute détérioration, les produits de polissage PoliStick (éponge, feutre, peau d'agneau) ne doivent être utilisés que sur le plateau de polissage spécifique à monter sur l'outil à la place du patin de ponçage. Les produits de polissage PoliStick, tout comme l'abrasif Stickfix, doivent simplement être appliqués sur le plateau de polissage puis retirés après utilisation.

Travailler avec l'outil



⚠ AVERTISSEMENT Fixez la pièce à usiner de manière à ce qu'elle ne puisse pas bouger pendant le traitement.

⚠ MISE EN GARDE Ne surchargez pas l'outil en appuyant trop fort ! Vous obtiendrez le meilleur résultat de ponçage avec une pression d'application moyenne. Le rendement et la qualité du ponçage dépendent essentiellement de la sélection de l'abrasif adéquat.

Pour un guidage sûr, tenez l'outil à deux mains au niveau du carter (8.2) et de la tête de la ponceuse (8.1).

Les tableaux A et B montrent les réglages que nous conseillons pour différents travaux de ponçage et de polissage.

Traitement des métaux

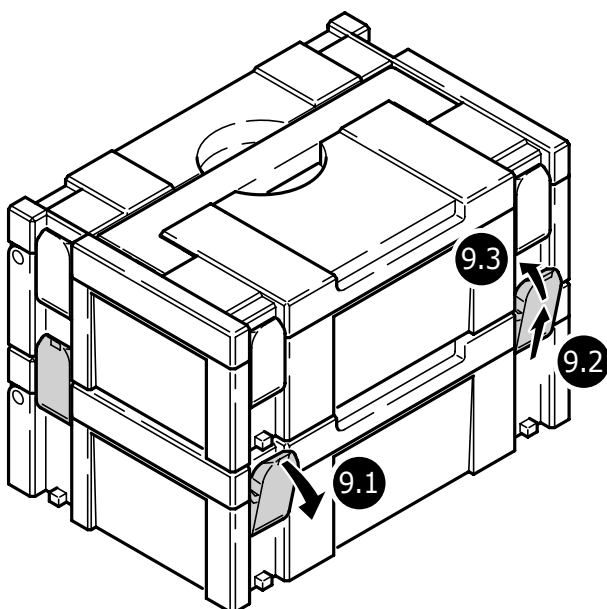
AVERTISSEMENT Lors du traitement des métaux, il est indispensable de respecter les mesures suivantes afin de travailler en toute sécurité :

- Installer un commutateur de sécurité à courant de défaut (FI, PRCD).
- Raccordez l'outil à un aspirateur approprié.
- L'outil doit régulièrement être nettoyé pour éliminer les dépôts de poussières accumulées dans le corps du moteur.



Portez des lunettes de protection.

Systainer



De nombreux produits Festool sont fournis dans une caisse exclusive, appelée "Systainer". Celle-ci permet de protéger et de ranger des outils et des appareils complémentaires. Les Systainer sont empilables et peuvent être solidarisés. En outre, il se fixent sur les aspirateurs CT Festool.

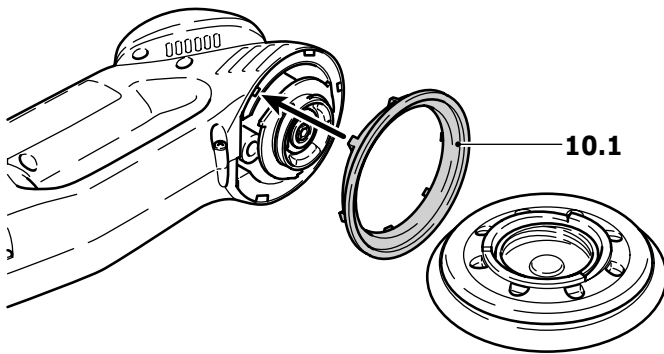
- Poser deux Systainer l'un sur l'autre,
- défaire les quatre éléments de verrouillage du Systainer inférieur en les tirant en arrière par leur bord supérieur (9.1).
- pousser les quatre éléments de verrouillage vers le haut (9.2)
- manoeuvrer les quatre éléments de verrouillage (9.3) de sorte qu'ils s'enclenchent au niveau des éléments récepteurs du Systainer supérieur.

Entretien et maintenance

⚠ AVERTISSEMENT Les travaux d'entretien et de réparation nécessitant une ouverture du carter moteur ne doivent être effectués que par le personnel d'un atelier autorisé du service après-vente. La maintenance ou la réparation de l'outil par des personnes non autorisées peut entraîner un branchement incorrect de câbles électriques ou d'autres composants, ce qui peut provoquer des accidents avec blessures graves.

⚠ AVERTISSEMENT Débranchez l'outil avant tout entretien.

L'outil et les orifices de ventilation doivent toujours rester propres.



Frein de patin

Le manchon en caoutchouc (10.1) permet, lors du mouvement excentrique (ponçage fin), de limiter la vitesse du patin de ponçage.

La collerette étant soumise à l'usure avec le temps, l'effet de blocage s'affaiblit, et elle doit être remplacée par une neuve (référence 463 357).

Accessoires et outils

⚠ AVERTISSEMENT Pour des raisons de sécurité, il faut utiliser exclusivement des accessoires et outils d'origine Festool!

Vous trouverez les numéros de pièce des accessoires et outils dans le catalogue Festool, ou sur le site Web www.festool-usa.com.

Garantie

Conditions de la garantie (1+2 ans)

Vous avez droit à une prolongation de garantie gratuite (1 an + 2 ans = 3 ans) sur votre outil électrique Festool. Festool assumera tous les coûts d'expédition pendant la première année de la garantie alors que

les deuxième et troisième années, les coûts devront être assumés par le client. Festool paiera les frais de retour de l'outil au client par service de livraison terrestre UPS. La garantie est valable pour une période de 3 ans à compter de la date d'achat indiquée sur votre reçu ou votre facture.

Garantie limitée de Festool

Cette garantie est valable à condition que l'outil soit utilisé conformément aux instructions de Festool. Festool garantit, à l'acheteur initial seulement, que l'outil indiqué sera exempt de tout défaut de matériau et de fabrication pendant un an à compter de la date d'achat. Festool ne donne aucune garantie supplémentaire, implicite ou explicite, sur les instruments portables électriques Festool. Aucun agent, représentant commercial, distributeur, vendeur ou employé de Festool n'est autorisé à prolonger ou à modifier les obligations ou restrictions de la présente garantie. Les obligations de Festool sont, à son entière discrétion, limitées à la réparation ou à l'échange des outils portables électriques Festool trouvés défectueux dans le présent emballage, tels que fournis avec le présent Guide d'utilisation.

Cette garantie exclut l'usure normale, les dommages causés par un usage impropre, les abus ou la négligence, ou tout dommage autre que ceux attribuables à des défauts de matériau et de fabrication. Cette garantie ne s'applique pas aux accessoires tels que lames de scie circulaire, mèches de perceuse et vilebrequin, lames de scie sauteuse, bandes abrasives et meules. Sont également exclues les pièces d'usure, telles que balais de charbon, lamelles pour outils à air comprimé, joints et manchons

de caoutchouc, disques et patins ponceurs, ainsi que les piles.

Les outils électriques portables Festool à remplacer ou à réparer doivent être retournés avec le reçu d'achat à Festool (appelez au 800-554-8741 pour connaître l'adresse d'expédition).

FESTOOL N'EST EN AUCUN CAS RESPONSABLE DES DOMMAGES DIRECTS OU INDIRECTS, IMPLICITES OU EXPLICITES, DÉCOULANT DE LA RUPTURE DE CETTE GARANTIE OU DE TOUTE AUTRE GARANTIE. TOUTES LES GARANTIES IMPLICITES, Y COMPRIS LES GARANTIES IMPLICITES DE QUALITÉ MARCHANDE ET D'ADÉQUATION À UN USAGE PARTICULIER, SONT LIMITÉES À UNE PÉRIODE DE TROIS ANS.

Certains états américains et certaines provinces canadiennes ne permettent pas la limitation des garanties implicites; il se pourrait donc que les limites indiquées ci-dessus ne s'appliquent pas dans votre cas. À l'exception de certaines garanties implicites des provinces ou des états indiquées ici, la présente garantie est exclusive et remplace toute autre garantie, convention et obligation similaire de Festool.

Cette garantie vous confère des droits légaux spécifiques, et vous pouvez aussi avoir d'autres droits pouvant varier d'un état à l'autre, ou d'une province à l'autre au Canada.

Tableau A: Ponçage


























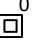
Tableau A: ponçage	Ponçage grossier			Ponçage fin				
								
 Laque, matière de remplissage, mastic	X		5 - 6	tendre	X		1 - 3	super-tendre
 Laque, peinture	X		5 - 6	dur	X		3 - 6	dur
 Bois, placage	X		5 - 6	dur	X		3 - 6	tendre
 Matière plastique	X	X	4 - 6	tendre	X		1 - 4	tendre
 Acier, cuivre, aluminium	X		6	tendre	X		3 - 6	tendre

Tableau B: Polissage


Tableau B: polissage		Polissage	Vitrification	Polissage miroir
Laque		6	3	4 - 6
		Eponge grossière/fine	Eponge fine, gaufrée	Peau d'agneau
		Pâte abrasive	Cire dure	-
Matière plastique		6	3	6
		Feutre rigide	Feutre souple	Peau d'agneau
		Pâte abrasive	Cire dure	-

Contenido	
Indicaciones de seguridad	27
Datos técnicos.....	27
Símbolos	27
Uso conforme a la destinación.....	30
Conexión eléctrica y operación.....	30
Cable de extensión	30
Regulación electrónica	31
Ajustes en la máquina	32
Extracción de polvo.....	32
Protección de cantos (protector)	32
Movimiento de lijado	32
Selección y montaje de los platos de lijar	33
Fijación de la lija	34
Fijación de agentes de pulido	34
Trabajo con la lijadora.....	34
Trabajo en metal	35
Systainer	35
Mantenimiento y cuidados.....	36
Freno de plato de lijado.....	36
Accesorios, herramientas	36
Garantía	36
Condiciones de la Garantía 1 + 2	36
Garantía limitada de Festool.....	37
Tabla A: Lijar.....	38
Tabla B: Pulir.....	38

Datos técnicos	
ROTEX RO 125 FEQ	
Potencia absorbida	500 W
Velocidad sin carga	3000 - 6000 rpm
Orbita de lijado	3.6 mm (0.14 in.)
Plato de lijado, Ø	125 mm (4.9 in.)
Peso	1.9 kg (4.2 lbs.)
Seguridad	 /II

Símbolos	
	Aviso ante un peligro general
	¡Leer las instrucciones e indicaciones!
	Use gafas de protección.
V	voltios
A	amperios
Hz	hertzios
W	vatios
~	corriente alterna
n ₀	revoluciones por minuto en vacío
	Clase II Construcción
min ⁻¹	
rpm	revoluciones por minuto
Ø	Diámetro

Indicaciones de seguridad

 **¡ATENCIÓN!** Lea íntegramente las instrucciones e indicaciones de seguridad. El incumplimiento de dichas instrucciones e indicaciones puede dar lugar a descargas eléctricas, incendios o lesiones graves.

Guardar todas las advertencias de peligro e instrucciones para futuras consultas.

El término herramienta eléctrica empleado en las siguientes advertencias de peligro se refiere a herramientas eléctricas de conexión a la red (con cable de red) y a herramientas eléctricas accionadas por acumulador (o sea, sin cable de red).

1 PUESTO DE TRABAJO

- Mantenga limpio y bien iluminado su puesto de trabajo.** El desorden y una iluminación deficiente en las áreas de trabajo pueden provocar accidentes.
- No utilice la herramienta eléctrica en un entorno con peligro de explosión, en el que se encuentren combustibles líquidos, gases o material en polvo.** Las herramientas eléctricas producen chispas que pueden llegar a inflamar los materiales en polvo o vapores.
- Mantenga alejados a los niños y otras personas de su puesto de trabajo al emplear la herramienta eléctrica.** Una

distracción le puede hacer perder el control sobre el aparato.

2 SEGURIDAD ELÉCTRICA

- a) **El enchufe del aparato debe corresponder a la toma de corriente utilizada. No es admisible modificar el enchufe en forma alguna. No emplear adaptadores en aparatos dotados con una toma de tierra.** Los enchufes sin modificar adecuados a las respectivas tomas de corriente reducen el riesgo de una descarga eléctrica.
- b) **Evite que su cuerpo toque partes conectadas a tierra como tuberías, radiadores, cocinas y refrigeradores.** El riesgo a quedar expuesto a una sacudida eléctrica es mayor si su cuerpo tiene contacto con tierra.
- c) **No exponga las herramientas eléctricas a la lluvia y evite que penetren líquidos en su interior.** Existe el peligro de recibir una descarga eléctrica si penetran ciertos líquidos en la herramienta eléctrica.
- d) **No utilice el cable de red para transportar o colgar el aparato, ni tire de él para sacar el enchufe de la toma de corriente. Mantenga el cable de red alejado del calor, aceite, esquinas cortantes o piezas móviles.** Los cables de red dañados o enredados pueden provocar una descarga eléctrica.
- e) **Al trabajar con la herramienta eléctrica en la intemperie utilice solamente cables de prolongación homologados para su uso en exteriores.** La utilización de un cable de prolongación adecuado para su uso en exteriores reduce el riesgo de una descarga eléctrica.
- f) **Si fuese imprescindible utilizar la herramienta eléctrica en un entorno húmedo, es necesario conectarla a través de un fusible diferencial.** La aplicación de un fusible diferencial reduce el riesgo a exponerse a una descarga eléctrica.

3 SEGURIDAD DE PERSONAS

- a) **Esté atento a lo que hace y emplee la herramienta eléctrica con prudencia. No utilice la herramienta eléctrica si estuviese cansado, ni tampoco después de haber consumido alcohol, drogas o medicamentos.** El no estar

atento durante el uso de una herramienta eléctrica puede provocarle serias lesiones.

- b) **Utilice un equipo de protección y en todo caso unas gafas de protección.** El riesgo a lesionarse se reduce considerablemente si, dependiendo del tipo y la aplicación de la herramienta eléctrica empleada, se utiliza un equipo de protección adecuado como una mascarilla antipolvo, zapatos de seguridad con suela antideslizante, casco, o protectores auditivos.
 - c) **Evite una puesta en marcha fortuita del aparato. Cerciorarse de que el aparato esté desconectado antes conectarlo a la toma de corriente.** Si transporta el aparato sujetándolo por el interruptor de conexión/desconexión, o si introduce el enchufe en la toma de corriente con el aparato conectado, ello puede dar lugar a un accidente.
 - d) **Retire las herramientas de ajuste o llaves fijas antes de conectar la herramienta eléctrica.** Una herramienta o llave colocada en una pieza rotante puede producir lesiones al ponerse a funcionar.
 - e) **Sea precavido. Trabaje sobre una base firme y mantenga el equilibrio en todo momento.** Ello le permitirá controlar mejor la herramienta eléctrica en caso de presentarse una situación inesperada.
 - f) **Utilice ropa adecuada. No utilice ropa ancha ni objetos de joyería o bisutería. Mantenga el pelo y la ropa alejada de las piezas en movimiento.** La ropa suelta o el pelo largo pueden quedar atrapados por piezas en movimiento.
 - g) **Siempre que sea posible utilizar unos equipos de aspiración o captación de polvo, asegúrese que éstos estén montados y que sean utilizados correctamente.** El empleo de estos equipos reduce los riesgos derivados del polvo.
- ## 4 TRATO Y USO CUIDADOSO DE HERRAMIENTAS ELÉCTRICAS
- a) **No sobrecargue el aparato. Use la herramienta prevista para el trabajo a realizar.** Con la herramienta adecuada podrá trabajar mejor y más seguro dentro del margen de potencia indicado.
 - b) **No utilice herramientas con un interruptor defectuoso.** Las herramientas

que no se puedan conectar o desconectar son peligrosas y deben hacerse reparar.

- c) **Saque el enchufe de la red antes de realizar un ajuste en el aparato, cambiar de accesorio o al guardar el aparato.** Esta medida preventiva reduce el riesgo a conectar accidentalmente el aparato.
- d) **Guarde las herramientas fuera del alcance de los niños y de las personas que no estén familiarizadas con su uso.** Las herramientas utilizadas por personas inexpertas son peligrosas.
- e) **Cuide sus aparatos con esmero. Controle si funcionan correctamente, sin atascarse, las partes móviles del aparato, y si existen partes rotas o deterioradas que pudieran afectar al funcionamiento de la herramienta. Si la herramienta eléctrica estuviese defectuosa haga repararla antes de volver a utilizarla.** Muchos de los accidentes se deben a aparatos con un mantenimiento deficiente.
- f) **Mantenga los útiles limpios y afilados.** Los útiles mantenidos correctamente se dejan guiar y controlar mejor.
- g) **Utilice herramientas eléctricas, accesorios, útiles, etc. de acuerdo a estas instrucciones y en la manera indicada específicamente para este aparato. Considere en ello las condiciones de trabajo y la tarea a realizar.** El uso de herramientas eléctricas para trabajos diferentes de aquellos para los que han sido concebidas puede resultar peligroso.

5 TRATO Y USO CUIDADOSO DE APARATOS ACCIONADOS POR ACUMULADOR

- a) **Solamente cargar los acumuladores con los cargadores recomendados por el fabricante.** Existe riesgo de incendio al intentar cargar acumuladores de un tipo diferente al previsto para el cargador.
- b) **Solamente emplee los acumuladores previstos para la herramienta eléctrica.** El uso de otro tipo de acumuladores puede provocar daños e incluso un incendio.
- c) **Si no utiliza el acumulador, guárdelo separado de clips, monedas, llaves, clavos, tornillos o demás objetos metálicos que pudieran puentear sus**

contactos. El cortocircuito de los contactos del acumulador puede causar quemaduras o un incendio.

- d) **La utilización inadecuada del acumulador puede provocar fugas de líquido. Evite el contacto con él. En caso de un contacto accidental enjuagar el área afectada con abundante agua. En caso de un contacto con los ojos recurra además inmediatamente a un médico.** El líquido del acumulador puede irritar la piel o producir quemaduras.

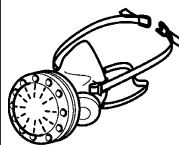
6 SERVICIO

- a) **Únicamente haga reparar su herramienta eléctrica por un profesional, empleando exclusivamente piezas de repuesto originales.** Solamente así se mantiene la seguridad de la herramienta eléctrica.

⚠ ADVERTENCIA Algunos polvos creados por lijadoras motorizadas, aserraderos, trituradores, perforadoras y otras actividades de construcción contienen sustancias químicas que se sabe (en el Estado de California) causan cáncer, defectos de nacimiento u otros daños al sistema reproductivo. Algunos ejemplos de estas sustancias químicas son:

- Plomo de las pinturas con base de plomo
- Sílice cristalino de los ladrillos y cemento y otros productos de mampostería, y
- Arsénico y cromo de madera tratada con sustancias químicas

El riesgo de exposición a estas sustancias varía, dependiendo de cuantas veces se hace este tipo de trabajo.



Para reducir el contacto con estas sustancias químicas: trabaje en un área con buena ventilación y trabaje con equipo de seguridad aprobado, como mascarillas para el polvo diseñadas específicamente para filtrar partículas microscópicas.

⚠ ADVERTENCIA PARA REDUCIR EL RIESGO DE LESIÓN, EL USUARIO DEBE LEER EL MANUAL DE INSTRUCCIÓN.

Uso conforme a la destinación

La herramienta está diseñada para lijar y pulir madera, plástico, metal, materiales compuestos, pintura / barniz, emplaste y materiales similares.

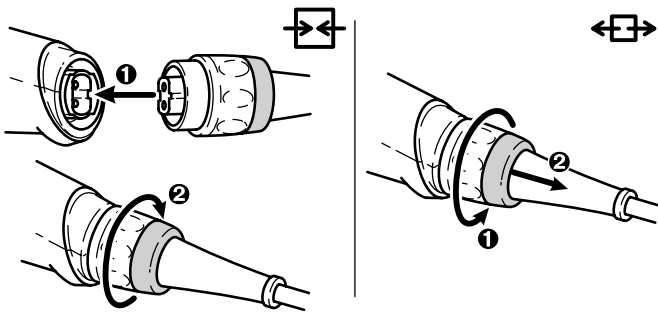
No debe usarse con materiales que contiene asbestos.

La lijadora no debe ser operada cuando está mojada o húmeda ni debe operarse en

ambiente húmedo por razones de seguridad eléctrica. Utilice este lijadora solamente para lijado en seco.

⚠️ ADVERTENCIA El usuario se responsabilizará en el caso de daños y accidentes durante un uso no conforme a lo predeterminado.

Conexión eléctrica y operación

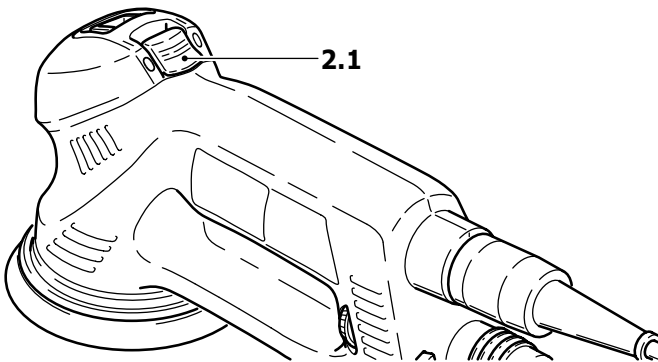


El voltaje de las líneas de alimentación deben coincidir con el voltaje indicado en la placa de características.

Vea la figura siguiente para enchufar y desenchufar el cable de conexión.

⚠️ ADVERTENCIA Siempre apague la máquina antes de conectar o desconectar el cable.

Para poner en marcha la máquina, pulse el interruptor (2.1) hacia abajo y hacia delante hasta que encaje. Para apagarla, pulse el interruptor hacia abajo: de este modo se desbloquea el interruptor y vuelve a la posición de apagado.



Cable de extensión

Cuando se necesite un cable de extensión, éste tiene que disponer de una sección suficiente a fin de evitar una excesiva caída de voltaje o un sobrecalentamiento. Una caída excesiva del voltaje reduce la potencia y puede conducir a falla del motor.

En la tabla de abajo indica el diámetro correcto del cable para la RO 125 FEQ, a saber, en función de la longitud de cable.

Emplee únicamente los cables de extensión listados por U.L. y CSA. No emplear nunca dos cables de extensión conectados el uno con el otro. En lugar de ello, emplee uno correspondientemente largo.

Longitud total del cable (pies)	25	50	100	150
Diámetro de cable (AWG)	18	16	16	14

Observación: Cuanto más bajo es el número AWG, tanto mayor es el diámetro del cable.

Regulación electrónica



La máquina dispone de un sistema electrónico de onda plena con las siguientes características:

Arranque suave

El arranque suave proporciona una puesta en marcha de la máquina sin sacudidas.

Regulación del número de revoluciones

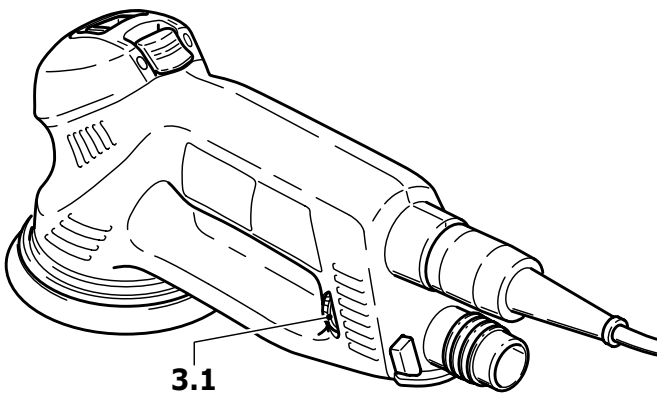
Las revoluciones pueden regularse de modo continuo con la rueda de ajuste (3.1) entre 3000 y 6000 r.p.m.. Esto le permite optimizar la velocidad de lijado para adaptarse de forma óptima a cada material.

Revoluciones constantes

Las revoluciones preseleccionadas se mantendrán constantes con la marcha en marcha o en neutral..

Dispositivo protector contra sobretemperaturas

Cuando el motor alcanza una temperatura crítica, el sistema electrónico de seguridad desconecta la máquina para prevenir un sobrecalentamiento. Después de un tiempo de enfriamiento de aprox. 3-5 minutos, la máquina está preparada para volver a funcionar. Si la máquina está en marcha (marcha en vacío) el tiempo de enfriamiento se reduce.



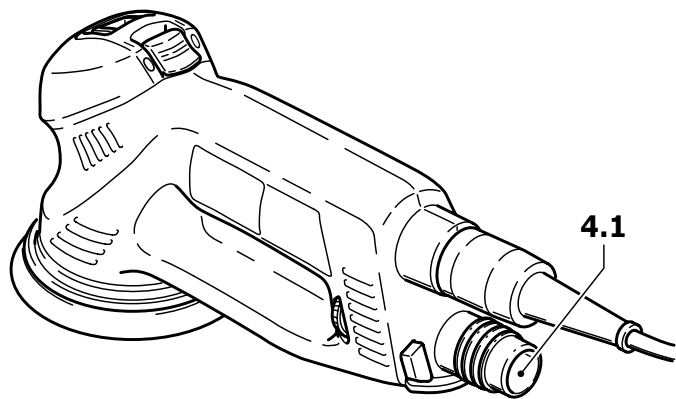
Ajustes en la máquina

ADVERTENCIA ¡Antes de realizar cualquier trabajo en la lijadora se debe desconectar el enchufe del tomacorriente!

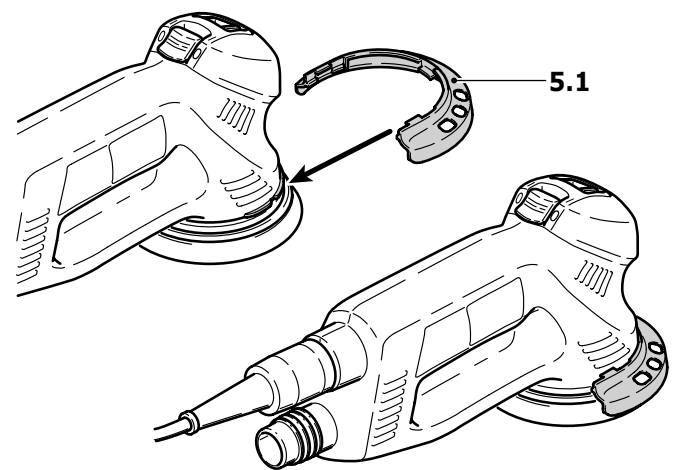


Extracción de polvo

Conecte siempre la máquina al extractor de polvo.



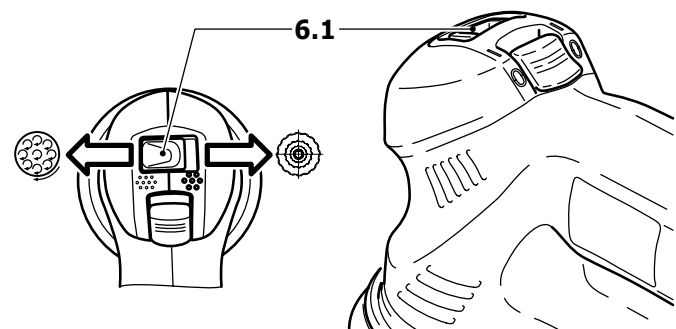
Ud. puede conectar un aparato de aspiración Festool con una manguera de aspiración con un diámetro 27 mm al puerto de extracción de polvo (4.1).



Protección de cantos (protector)

La protección de cantos (5.1) impide que el perímetro del plato lijador toque la superficie (p. ej. al lijar una pared) y que se produzca un contragolpe de la máquina.

Montaje: empuje la protección de cantos hasta que encaje en la máquina.



Movimiento de lijado

Con el interruptor (6.1) pueden ajustarse dos movimientos de lijado diferentes.

PRECAUCION El cambio sólo se puede realizar con el plato fijador parado ya que, mientras está en marcha, el interruptor está bloqueado por motivos de seguridad.

Movimiento rotatorio Rotex (lijado grueso, pulido)



El movimiento rotatorio Rotex es una combinación de movimiento excéntrico y de rotación. Se recomienda este movimiento para quitar material agresivamente (lijado grueso) y para pulir.

Para ello coloque el interruptor (6.1) en la posición de la derecha.

Movimiento excéntrico (lijado fino)



Esta movimiento se recomienda para lijar quitar poco material y tener un acabado sin estrías (lijado fino).

Para ello pulse el interruptor (6.1) hacia abajo y colóquelo en la posición izquierda.

Selección y montaje de los platos de lijar

Selección de los platos de lijar

Se le pueden instalar tres platos de lijado al RO 125 EQ con diferentes grados de dureza,

dependiendo de la superficie a lijar.

Duro: Para un lijado grueso de superficies, así como para el lijado de bordes y cantos.

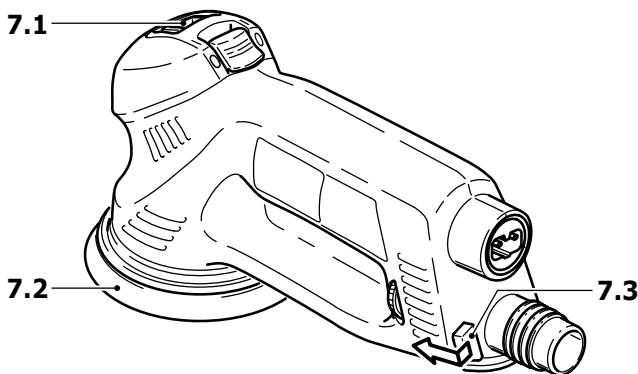
Suave: Uso universal para un lijado grueso y fino en superficies planas y curvas.

Supersuave: Para un lijado fino de piezas perfiladas, superficies curvas y radios. ¡No lo emplee en bordes o cantos!

Instalación

El sistema FastFix hace posible el cambio del plato lijador sin usar herramientas:

- Coloque el interruptor (7.1) a la derecha en el trazado en curva Rotex,
- Presione el bloqueo del husillo (7.3), moviéndolo primero lateralmente y después hacia adelante,
- Gire el disco lijador (7.2) desde el husillo (rosca derecha),
- Mantenga pulsado el bloqueo del husillo y enrosque el plato lijador nuevo (observe al mismo tiempo que el retén de goma (10.1) esté montado correctamente),
- Suelte el bloqueo del husillo.



PRECAUCIÓN Solo accionar al bloqueo del husillo cuando el motor esté parado. No encienda el motor cuando el bloqueo de husillo está accionado.

Fijación de la lija



Stickfix es un sistema de sujeción de gancho y lazo. Los platos de sujeción Stickfix se pueden utilizar para fijar lijas autoadherentes de gancho y lazo como las hojas de lijar Stickfix y el vellón de lijado.

Simplemente oprima la lija sobre el plato de lijado (7.2) y levántelo después de su uso.

Atención: Sólo utilice lijas que tengan el recubrimiento Stickfix intacto. Inspecciónelos antes de usarse para asegurarse que el recubrimiento autoadhesivo no ha sufrido algún daño por su uso incorrecto (por ejemplo, por sobrecalentamiento).

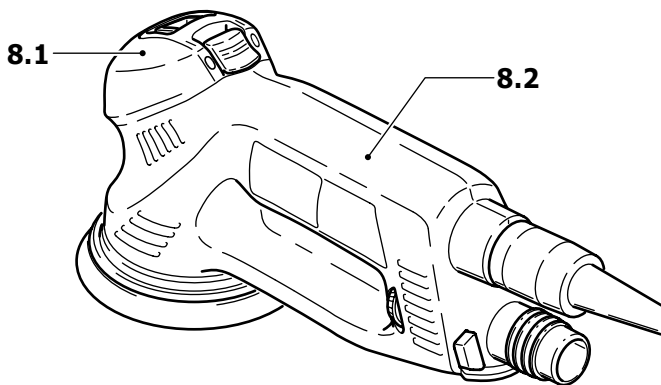
Fijación de agentes de pulido

Para evitar desperfectos, sólo deben colocarse agentes de pulir PoliStick (esponjas, fieltros, piel de cordero) únicamente con el plato pulidor especial montado sobre la herramienta en vez del plato lijador. Los agentes de pulir PoliStick, como los abrasivos Stickfix, se colocan fácilmente en el plato pulidor y se vuelven a quitar después de usarse.

Trabajo con la lijadora

⚠ ADVERTENCIA Fije la pieza de trabajo siempre de forma que no se pueda mover cuando se esté lijando.

⚠ PRECAUCION No sobrecargue la máquina presionándola demasiado sobre el objeto a lijar. Un resultado óptimo de lijado lo conseguirá trabajando con una presión moderada. La capacidad y calidad de lijado dependen primordialmente de la elección de la lija correcta.



Sujete la máquina para un guiado seguro con una mano sobre la carcasa del motor (8.2) y la otra sobre el cabezal del engranaje (8.1).

Las tablas A y B muestran las posiciones que nosotros recomendamos para los diferentes trabajos de lijado y pulido.

Trabajo en metal

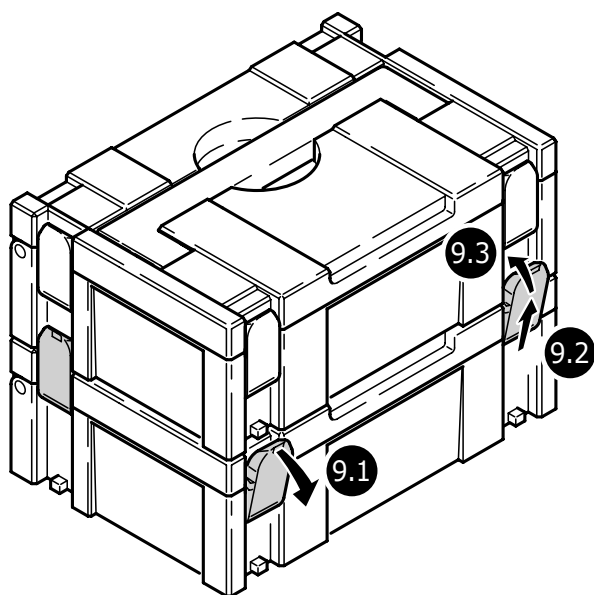
Por motivos de seguridad observe las siguientes medidas al trabajar el metal:

- Agregar un interruptor de corriente de defecto (FI-, PRCD-).
- Conecte la lijadora a un extractor de polvo apropiado.
- Limpie periódicamente la máquina para eliminar las aglomeraciones de polvo en el cárter del motor.



Use gafas de protección.

Systainer



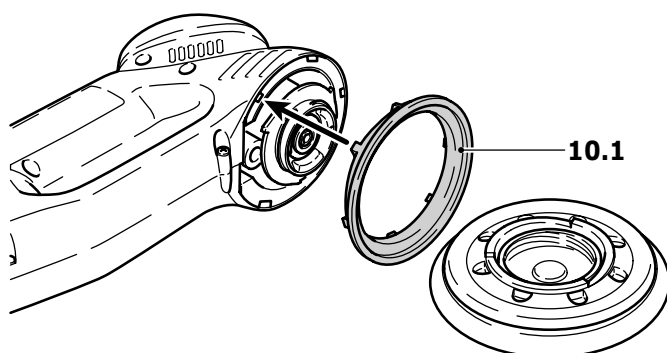
Muchos de los productos Festool se entregan en un embalaje exclusivo denominado "Systainer" que sirve de protección a la herramienta y sus complementos, además de facilitar su almacenamiento. Los Systainer pueden apilarse y encajan unos con otros. Además se adaptan sin problema a cualquier aparato de aspiración CT de Festool.

- Coloque un Systainer sobre otro.
- Abra los cuatro enganches del Systainers de abajo tirando de sus extremos superiores (9.1).
- Deslice los cuatro enganches hacia arriba (9.2).
- Presione los cuatro enganches hasta que queden planos (9.3) y puedan así acoplarse en los soportes del Systainer colocado encima.

Mantenimiento y cuidados

⚠ ADVERTENCIA Todos los trabajos de mantenimiento y de reparación, para los que se tiene que abrir la carcasa del motor, sólo deben ser llevados a cabo por un taller de servicio de asistencia técnica autorizado. El mantenimiento o reparación de la máquina por personas no autorizadas puede ser la causa de una conexión incorrecta de los cables conductores de corriente eléctrica o de otros componentes, lo cual puede ser la causa de accidentes con lesiones graves.

⚠ ADVERTENCIA ¡Siempre desenchufe el enchufe macho del tomacorriente antes de realizar trabajos en la máquina! Siempre mantenga limpias la herramienta y especialmente las ranuras de ventilación.



Freno de plato de lijado

El collarín de goma (10.1) impide que el plato lijador se acelere descontroladamente durante el movimiento excéntrico (lijado fino).

Debido a que este collarín se desgasta con el tiempo, debe reemplazarse con uno nuevo

Accesorios, herramientas

⚠️ ADVERTENCIA ¡Por razones de seguridad, solamente deben emplearse accesorios y herramientas originales de Festool!

Los números de pedido para los respectivos accesorios y herramientas se encuentran en su catálogo Festool o en la Internet, www.festool-usa.com.

Garantía

Condiciones de la Garantía 1 + 2

Usted tiene derecho a una garantía extendida gratuita (1 año + 2 años = 3 años) para su herramienta motorizada Festool. Festool se hará responsable por los gastos de envío durante el primer año de garantía. Durante el segundo y tercer año de garantía el cliente es responsable por el costo del envío de la herramienta a Festool. Festool pagará el embarque de regreso al cliente usando UPS Ground Service. Todo el servicio de garantía es válido por 3 años desde la fecha de la compra de acuerdo a la fecha de su recibo o factura de compra.

Garantía limitada de Festool

Esta garantía es válida únicamente con la condición previa de que la herramienta se usa y opera de conformidad con las instrucciones de operación de Festool. Festool garantiza, sólo al comprador original, que la herramienta especificada estará libre de defectos de fabricación y materiales durante un periodo de un año a partir de la fecha de compra. Festool no otorga otras garantías, ni explícitas ni implícitas para ninguna de las herramientas motorizadas portátiles Festool. Ningún agente, representante, distribuidor, comerciante o empleado de Festool está autorizado para extender o modificar de cualquier manera las obligaciones o limitaciones de esta garantía. Las obligaciones de Festool, a su propia entera discreción, están limitadas a la reparación o sustitución de cualquier herramienta

portátil Festool que se encuentre estar defectuosa en el momento de ser embalada junto con el manual de usuario.

Quedan excluidos de la cobertura en esta garantía: el desgaste normal; los daños causados por uso indebido, el abuso o negligencia; los daños causados por cualquier otra causa que no sean defectos del material o de la fabricación. Esta garantía no aplica a accesorios como cuchillas de sierras circulares, brocas de taladro, barrenas de buriladora, cuchillas de sierra, cuchillas para sierras de calado, correas de lijadoras y ruedas de esmeril. También se excluyen las partes que se desgastan como cepillos de carbón, álabes de las herramientas de aire, collarines de hule y sellos, discos y platos de lijado, y baterías.

Las herramientas motorizadas portátiles Festool que requieran de reemplazo o reparación deben devolverse con el recibo de compra a Festool (llame al 800-554-8741 para los detalles de la dirección).

EN NINGÚN CASO FESTOOL SE HARÁ RESPONSABLE POR LOS DAÑOS SECUNDARIOS O CONSECUENTES OCASIONADOS POR LA VIOLACIÓN DE ESTA O CUALQUIER OTRA GARANTÍA, SEA EXPLÍCITA O IMPLÍCITA. TODAS LAS GARANTÍAS IMPLICADAS POR LEYES ESTATALES, INCLUYENDO LAS GARANTÍAS IMPLICADAS DE COMERCIALIZACIÓN Y ADECUACIÓN A UN PROPÓSITO PARTICULAR, QUEDAN LIMITADAS A TRES AÑOS DE DURACIÓN.

Algunos estados de EE.UU. y algunas provincias de Canadá no permiten las limitaciones en cuanto a la duración de las garantías implícitas, de modo que la limitación arriba indicada puede que no le afecte. A excepción de algunas garantías implicadas por leyes estatales o provinciales, limitadas por la presente, la anteriormente citada garan-

tía, expresamente limitada, es exclusiva y sustituye a cualquier otra garantía, acuerdo u obligación similar de Festool.

Esta garantía le concede derechos legales específicos y usted podría tener otros derechos legales que varían de estado a estado en EE.UU. y de provincia a provincia en Canadá.

Tabla A: Lijar











Tabla A: lijar	Lijado basto			Lijado fino			
							
 Pintura, pigmento de carga, emplaste	X		5 - 6	blando	X	1 - 3	extra-blando
 Pintura, color	X		5 - 6	duro	X	3 - 6	duro
 Madera, enchapado	X		5 - 6	duro	X	3 - 6	blando
 Plástico	X	X	4 - 6	blando	X	1 - 4	blando
 Acero, cobre, aluminio	X		6	blando	X	3 - 6	blando

Tabla B: Pulir

Tabla B: pulir		Pulir	Sellar	Pulir brillante
Pintura		6	3	4 - 6
		Esponja gruesa/fina	Esponja fina, gofrado	Piel de cordero
		Pasta de pulido	Cera dura	-
Plástico		6	3	6
		Filtro duro	Filtro blando	Piel de cordero
		Pasta de pulido	Cera dura	-



NOTES/ NOTACIONES/ NOTAS



NOTES/ NOTACIONES/ NOTAS



NOTES/ NOTACIONES/ NOTAS

Free Manuals Download Website

<http://myh66.com>

<http://usermanuals.us>

<http://www.somanuals.com>

<http://www.4manuals.cc>

<http://www.manual-lib.com>

<http://www.404manual.com>

<http://www.luxmanual.com>

<http://aubethermostatmanual.com>

Golf course search by state

<http://golfingnear.com>

Email search by domain

<http://emailbydomain.com>

Auto manuals search

<http://auto.somanuals.com>

TV manuals search

<http://tv.somanuals.com>