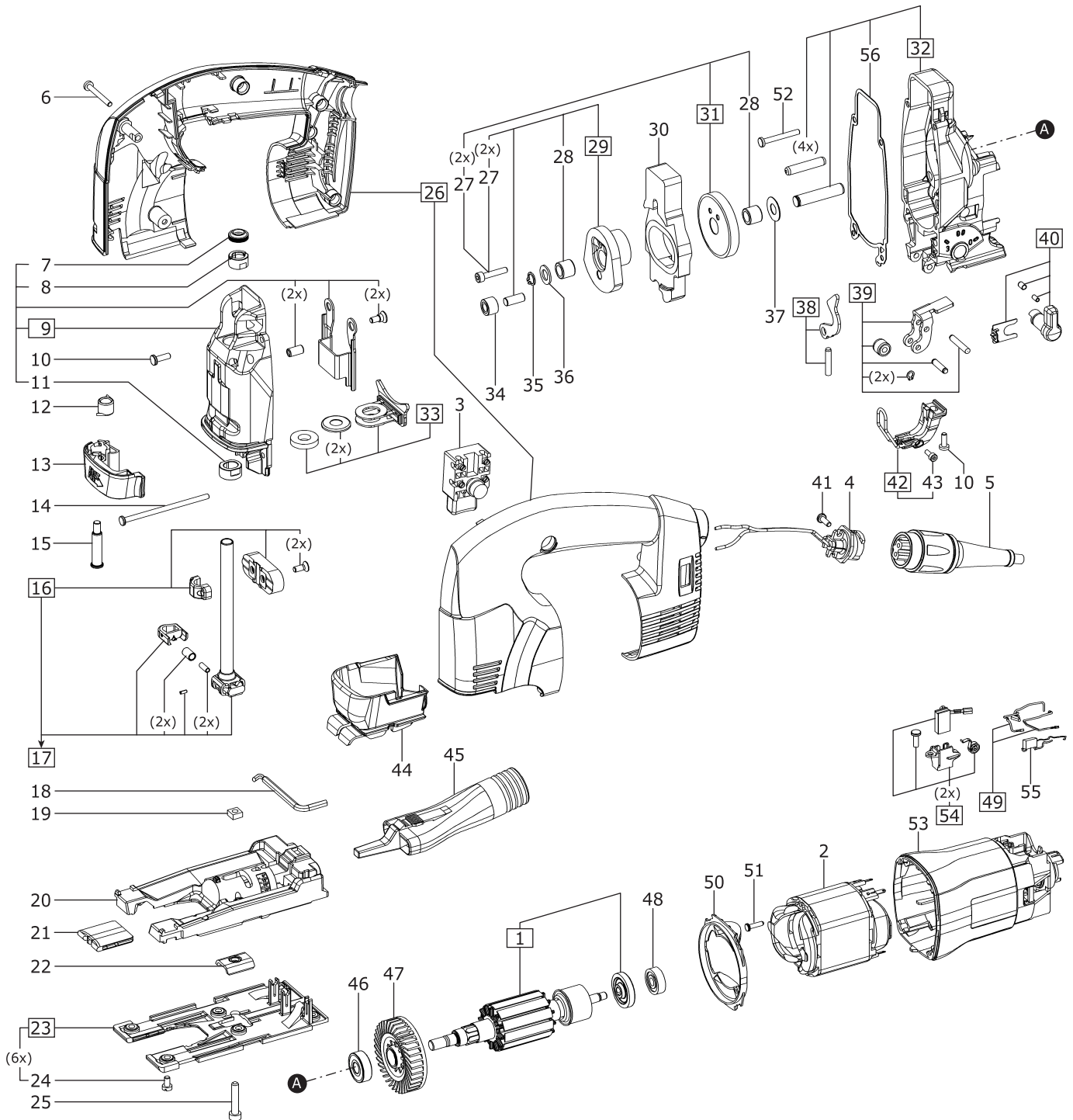


Bitte Nummer bei Ersatzteilbestellungen angeben!  
Please give number when ordering spare pieces!



Gültig für / Valid for:  
489 584



Pos. Item	Best-Nr./Symbol Order/Symbols	St. Qty.	Pos. Item	Best-Nr./Symbol Order/Symbols	St. Qty.	Pos. Item	Best-Nr./Symbol Order/Symbols	St. Qty.	Pos. Item	Best-Nr./Symbol Order/Symbols	St. Qty.	Pos. Item	Best-Nr./Symbol Order/Symbols	St. Qty.	Pos. Item	Best-Nr./Symbol Order/Symbols	St. Qty.
1	491854	1	8	451371	1	18	461987	1	28	400008	2	38	490216	1	48	228672	1
2	491855	1	9	490207	1	19	228520	1	29	490213	1	39	490217	1	49	491530	1
3	486317	1	10	228509	3	20	458983	1	30	451356	1	40	490218	1	50	458964	1
4	489924	1	11	451372	1	21	490120 (5x)	1	31	490214	1	41	219031	2	51	219069	2
5	489421	1	12	451366	1	22	453082	1	32	490208	1	42	491571	1	52	400524	2
5	489657 (CH)	1	13	451367	1	23	490212	1	33	490215	1	43	400678	1	53	449640	1
5	489659 (AUS)	1	14	400565	2	24	400062	6	34	455186	1	44	453491	1	54	490224	1
5	490650 (GB 240V)	1	15	457337	1	25	400526	1	35	200617	1	45	451379	1	55	455777	1
6	400669	7	16	490209	1	26	489688	1	36	400009	1	46	400626	1	56	451354	1
7	451796	1	17	490210	1	27	400535	2	37	457043	1	47	457383	1			

## Free Manuals Download Website

<http://myh66.com>

<http://usermanuals.us>

<http://www.somanuals.com>

<http://www.4manuals.cc>

<http://www.manual-lib.com>

<http://www.404manual.com>

<http://www.luxmanual.com>

<http://aubethermostatmanual.com>

Golf course search by state

<http://golfingnear.com>

Email search by domain

<http://emailbydomain.com>

Auto manuals search

<http://auto.somanuals.com>

TV manuals search

<http://tv.somanuals.com>