

FESTOOL

CT MINI



Instruction manual

Page 2 - 5

IMPORTANT: Read and understand all instructions before using.

Vacuum cleaner

Guide d'utilisation

Page 6 - 10

IMPORTANT: Lire et comprendre toutes les instructions avant de démarrer les travaux.

Aspirateur

Manual de instrucciones

Página 12 - 16

IMPORTANTE: Lea y comprende todas las instrucciones antes de usar.

Aspirador

456_134_003

SAFETY INSTRUCTIONS

READ ALL INSTRUCTIONS BEFORE USING THIS APPLIANCE !

⚠WARNING To reduce the risk of fire, electric shock, or injury:

- 1 Do not leave this appliance unattended when plugged in.** Unplug from outlet when not in use and before servicing.
- 2 To reduce the risk of electric shock** – Do not expose to rain. Store indoors.
- 3 Do not allow to be used as a toy.** Close attention is necessary when used by or near children or animals.
- 4 Use only as described in this manual.** Use only manufacturer's recommended attachments.
- 5 Do not use with damaged power cord or plug.** If the appliance is not working as it should, has been dropped, damaged, left outdoors, or immersed in or dropped into water, return it to a service center.
- 6 Do not** – pull or carry by the power cord, use power cord as a handle, close a door on power cord, or pull power cord around sharp edges or corners. Do not run appliance over power cord. Keep power cord away from heated surfaces.
- 7 Do not unplug by pulling on power cord.** To unplug, grasp the plug, not the cord.
- 8 Do not handle plug or appliance with wet hands.**
- 9 Do not put any object into the appliance openings.** Do not use the appliance with any opening blocked; keep openings free of dust, lint, hair, and anything that may impede airflow.
- 10 Keep hair, loose clothing, fingers, and all parts of body away from openings and moving parts.**
- 11 Turn off all controls before unplugging.**
- 12 Use extra care when cleaning on stairs.**
- 13 Do not use this appliance to vacuum flammable or combustible liquids** such as gasoline, or vacuum in areas where these may be present.
- 14 Connect to a properly grounded outlet only.** See Grounding Instructions.
- 15 Do not vacuum anything that is burning or smoking, such as cigarettes, matches, or hot ashes.** Do not use this appliance to extract flammable or explosive dusts (such as magnesium, aluminum, etc.). Risk of explosion!
- 16 Do not use without dust bag and/or filters in place.**
- 17 Do not use to vacuum up caustic or aggressive liquids** (e.g. acids, alkalis, solvents).

18 Protect the power cord against heat, oil and sharp edges.

19 Check the plug and power cord regularly and have them replaced by a qualified technician if damaged.

20 Do not lift or carry the appliance by its handles using a crane hook or lifting gear.

21 Use only accessories approved by Festool (see the Festool Catalog).

⚠WARNING

Various dust created by power sanding, sawing, grinding, drilling and other construction activities contains chemicals known (to the State of California) to cause cancer, birth defects or other reproductive harm. Some examples of these chemicals are:

- lead from lead-based paints,
- crystalline silica from bricks and cement and other masonry products, and
- arsenic and chromium from chemically-treated lumber.

The risk from these exposures varies, depending on how often you do this type of work.

To reduce your exposure to these chemicals: work in a well ventilated area, and work with approved safety equipment, such as dust masks that are specially designed to filter out microscopic particles.



GROUNDING INSTRUCTIONS

This appliance must be grounded. If it should malfunction or break down while in use, grounding provides a path of least resistance for the electric current and reduces the risk of electric shock to the operator. This appliance has a power cord with equipment-grounding conductor and grounding plug. The plug must be inserted into an appropriate outlet that is properly installed and grounded in accordance with all local codes and ordinances.

⚠WARNING Improper connection of the equipment-grounding conductor can result in a risk of electric shock. Check with a qualified electrician or service person if you are in doubt as to whether the outlet is properly grounded.

⚠WARNING Do not modify the plug provided with the appliance – if it will not fit the outlet, have a proper outlet installed by a qualified electrician.

⚠WARNING This appliance is rated more than 15 amperes and is for use on a circuit having a nominal rating of 120 volts, and is factory-equipped with a specific electric cord and plug to permit connection to a proper electric circuit. Make sure that the appliance is connected to an outlet having the same configuration as the plug.

No adapter should be used with this appliance. If the appliance must be reconnected for use on a different type of electric circuit, the

reconnection must be made by qualified service personnel.

SAVE THESE INSTRUCTIONS

Technical data

Power consumption
Max. connected load to tool plug socket
Total connected load max. (vacuum cleaner and plug socket)
Max. airflow volume, turbine
Max. vacuum, turbine
Filter surface
Suction hose, diameter x length
Tank capacity
Dimensions L x W x H
Weight
Power cord length
Protection type

CT MINI

400 - 1,200 W
1,200 W
2,400 W
168 m³/h (6,04 cu.ft./h)
20,000 Pa
5,000 cm² (775 sq. in.)
22 mm x 3,5 m (0.87 in. x 11.48 ft.)
10 l (2.6 gal.)
440 x 340 x 420 mm (17.3 x 13.4 x 16.5 in.)
9.5 kg (21 lbs)
7.5 m (24.6 ft.)
IP X4

Intended use

This dust extractor is designed for the aspiration and evacuation of non-toxic, non-hazardous dusts, dirt, sand, shavings etc., and for vacuuming water.

This dust extractor is designed in accordance with IEC 60 335-1 and IEC 60 335-2-69 for a higher loading in industrial use.

⚠ WARNING The user is solely responsible for any damage or accident caused by using this machine for other than its intended purpose.

Getting started

Electrical connection

The operating voltage shown on the specification plate must be the same as the mains power voltage (wall socket).

⚠ WARNING Make sure that the dust extractor is switched off when you plug in the power cord.

On/off switch (1.1)

In position **O** the dust extractor is switched off and the tool plug socket (1.3) is dead.

Two modes of operation are possible:

a) Switch at "MAN" (manual control):

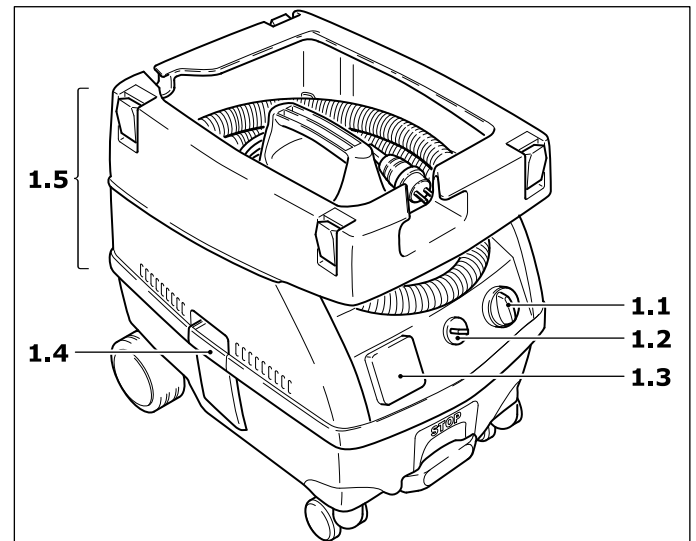
The tool plug socket is live.

⚠ WARNING Before turning the switch to the "MAN" position, make sure that the tool connected to the tool plug socket is switched off. When you turn the switch to "MAN" the extractor motor will start immediately and will stay on as long as the switch is at this position.

You can also use this mode of operation without a tool connected to the tool plug socket.

b) Switch at "Auto" (automatic tool-triggered operation):

The tool plug socket is live.



⚠ WARNING Before turning the switch to the "Auto" position, make sure that the tool connected to the tool plug socket is switched off. When you turn the switch to "Auto" the dust extractor will not come on until you turn on the tool connected to the tool plug socket. When you turn off the tool, the dust extractor will automatically switch off. When you turn the tool back on, the dust extractor will automatically start.

Suction force regulator (1.2)

The suction force regulator lets you set the suction force that works best for the material to be vacuumed up.

Connecting an electric tool

Observe the maximum connected load on the tool plug socket (see "Technical Data"). The tool's rated power consumption must not exceed this! Plug the tool power cord to the tool plug socket (1.3).

⚠ WARNING Make sure the tool is switched off when you plug or unplug it!

Use

⚠ WARNING During the following procedures, take care not to raise unnecessary dust.

Changing the filter bag

- Open locking clips (1.4), remove top section (1.5).
- Change filter bag (2.1) – see instructions printed on filter bag.
- Replace top section, close locking clips.

Note: A replacement filter bag can be stored in the storage compartment (5.4).

Changing the filter

⚠ CAUTION Do not operate this dust extractor without a filter, as doing so may damage the motor.

- Open locking clips (1.4), remove top section (1.5).
- Fold over handle (3.1) and remove holder (3.2).
- Remove used filter (3.3) and replace with a new one.
- Replace holder and fold over handle until it latches into place.
- Replace top section, close locking clips.

Emptying the dirt trap

The dirt trap (2.2) can be emptied after removing the top section.

Stand

Extending the stand (4.5) keeps the dust extractor from rolling.

To do this, lift the front end of the dust extractor slightly and push the stand downwards until it latches into place.

Press the button (4.4) to release the stand.

Application

The extractor hose (4.2) is connected to the extractor opening by the angle tube (4.1). During operation, the extractor hose goes through the hose opening (4.3).

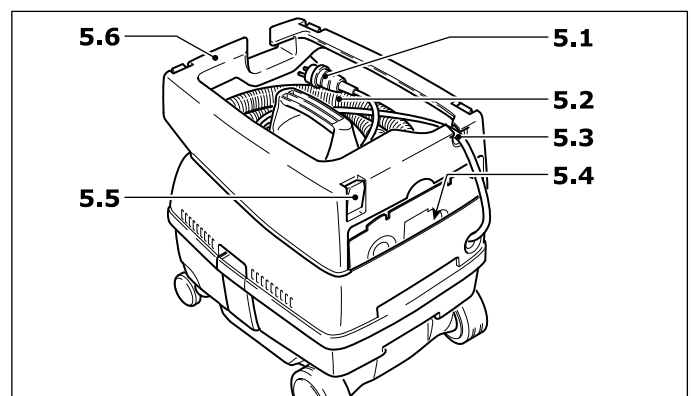
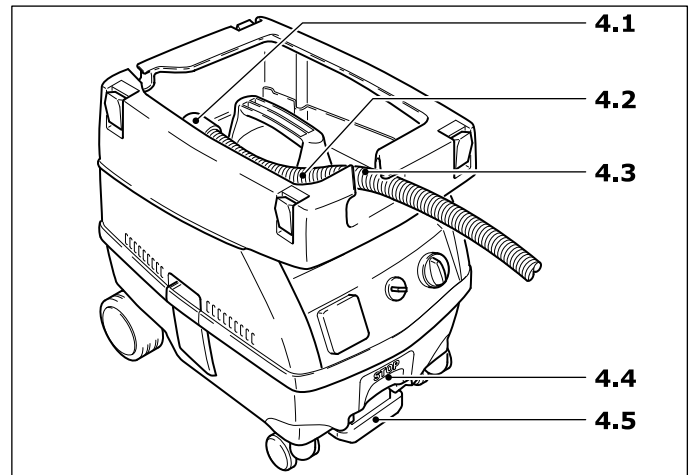
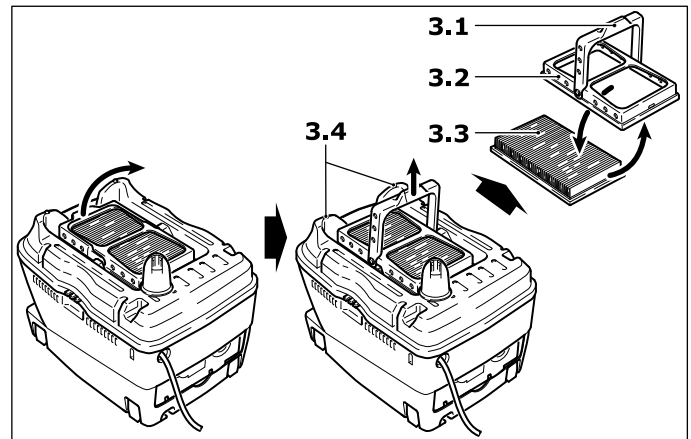
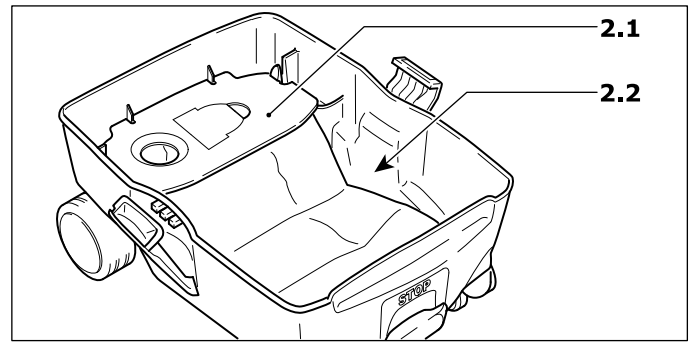
A Systainer can be attached to the top of the storage area (5.6) via the four locking clips (5.5).

Note: If this is done, the power cord must run through opening (5.3).

Vacuuming dry materials

Do not do any dry vacuuming or dust extraction of dry substances without a filter bag in the tank! This protects the motor, and lets you dispose of the evacuated material easily.

The filter becomes damp after evacuating liquids. A damp filter will suffer accelerated wear if it is used for dry materials. Accordingly, allow the filter to dry or replace it with a dry one before dry operation.



Vacuuming liquids

⚠ WARNING If foam or liquid escapes, stop immediately and empty the tank.

The filter bag must be removed before evacuating liquids. We recommend using a special wet filter for wet vacuuming.

When the maximum fill level is reached, a level stop (3.4) will automatically interrupt extraction.

The antistatic system (AS)

The friction of material running through the suction hose causes electrostatic charges, which can result in unpleasant electric shocks for the operator.

In order to prevent this, this dust extractor has an integrated antistatic system which conducts these static charges to ground. This requires the use of antistatic hoses and accessories.

Temperature control

A heat-triggered limit switch turns off the dust extractor if it reaches a critical temperature, to protect against overheating. If this happens, switch the dust extractor off and let it cool for around 5 minutes. If the dust extractor still cannot be switched back on, consult a Festool service center.

After finishing work

- Switch off the dust extractor and unplug the power cord.
- Empty filter bag and tank.
- Place the suction hose (5.1) and the power cord (5.2) in the top section.
- Clean the dust extractor inside and outside by vacuuming and wiping.
- Leave the dust extractor in a dry area out of reach of unauthorized persons.

Filters and accessories

The accessory and filter order number can be found in your Festool catalog or on the Internet at www.festool-usa.com.

Maintenance and care

⚠ WARNING Always unplug the power cord from the plug socket before doing any maintenance!

⚠ WARNING Do not attempt any maintenance or repairs involving opening the motor housing. This may be carried out only by an authorized customer service center.

⚠ WARNING A safety test must be performed at least once a year by the manufacturer or a qualified person, to check for possible leaks and damage to the filter, and to ensure that the control devices are functioning.

Warranty

Conditions of 1+2 Warranty

You are entitled to a free extended warranty (1 year + 2 years = 3 years) for your Festool power tool. Festool shall be responsible for all shipping costs during the first year of the warranty. During the second and third year of the warranty the customer is responsible for shipping the tool to Festool. Festool will pay for return shipping to the customer using UPS Ground Service. All

warranty service is valid 3 years from the date of purchase on your receipt or invoice.

Festool Limited Warranty

This warranty is valid on the pre-condition that the tool is used and operated in compliance with the Festool operating instructions. Festool warrants, only to the original consumer purchaser, that the specified tool will be free from defects in materials and workmanship for a term of one year from the date of procurement. Festool makes no other warranty, express or implied, for Festool portable power tools. No agent, representative, distributor, dealer or employee of Festool has the authority to increase or otherwise change the obligations or limitations of this warranty. The obligations of Festool in its sole discretion under this warranty shall be limited to the repair or replacement of any Festool portable power tool that is found to be defective as packaged with the User Manual.

Excluded from coverage under this warranty are: normal wear and tear; damages caused by misuse, abuse or neglect; damage caused by anything other than defects in material and workmanship. This warranty does not apply to accessory items such as circular saw blades, drill bits, router bits, jigsaw blades, sanding belts, and grinding wheels. Also excluded are "wearing parts", such as carbon brushes, lamellas of air tools, rubber collars and seals, sanding discs and pads, and batteries.

Festool portable power tools requiring replacement or repair are to be returned with the receipt of purchase to Festool (call 800-554-8741 for address details).

IN NO EVENT SHALL FESTOOL BE LIABLE FOR ANY CONSEQUENTIAL OR INCIDENTAL DAMAGES FOR BREACH OF THIS OR ANY OTHER WARRANTY, EXPRESSED OR IMPLIED WHATSOEVER. ALL WARRANTIES IMPLIED BY STATE LAW, INCLUDING THE IMPLIED WARRANTIES OF MERCHANTABILITY AND FITNESS FOR A PARTICULAR PURPOSE, ARE HEREBY LIMITED TO THE DURATION OF THREE YEARS.

Some states in the U.S. and some Canadian provinces do not allow the limitations on how long an implied warranty lasts, so the above limitation may not apply to you. With the exception of any warranties implied by state or province law as hereby limited, the foregoing express limited warranty is exclusive and in lieu of all other warranties, guarantees, agreements and similar obligations of Festool.

This warranty gives you specific legal rights and you may also have other rights which vary from state to state in the U.S. and province to province in Canada.

IMPORTANTES MESURES DE SÉCURITÉ

LIRE TOUTES LES INSTRUCTIONS AVANT D'UTILISER CET APPAREIL !

⚠AVERTISSEMENT Pour réduire les risques d'incendie, de choc électrique ou de blessure :

- 1 Ne pas laisser l'appareil sans surveillance lorsqu'il est branché.** Débrancher lorsqu'il n'est pas utilisé et avant tout entretien.
- 2 Ne pas exposer à la pluie; entreposer à l'intérieur.**
- 3 Ne pas laisser les enfants s'en servir comme jouet.** Une attention particulière est nécessaire lorsque l'appareil est utilisé en présence d'enfants ou d'animaux.
- 4 N'utiliser que conformément à cette notice,** avec les accessoires recommandés par le fabricant.
- 5 Ne pas utiliser si le cordon ou la fiche est endommagé.** Retourner l'appareil à un atelier de réparation s'il ne fonctionne pas correctement, s'il est tombé, s'il a été endommagé, immergé ou laissé à l'extérieur.
- 6 Ne pas tirer, soulever ou traîner l'appareil par le cordon.** Éviter d'utiliser le cordon comme une poignée, de le coincer dans l'embrasure d'une porte ou de l'appuyer contre des arêtes vives ou des coins. Ne pas faire rouler l'appareil sur le cordon. Garder le cordon à l'écart des surfaces dégageant de la chaleur.
- 7 Ne pas débrancher en tirant sur le cordon.** Tirer plutôt la fiche.
- 8 Ne pas toucher la fiche ou l'appareil lorsque vous avez les mains humides.**
- 9 N'insérer aucun objet dans les ouvertures.** Ne pas utiliser l'appareil lorsqu'une ouverture est bloquée. S'assurer qu'aucune matière (poussière, peluche, cheveux ou autre) ne gêne la circulation d'air.
- 10 Tenir les vêtements amples, cheveux, doigts et autres parties du corps à l'écart des ouvertures et des pièces mobiles.**
- 11 Mettre toutes les commandes à la position ARRÊT avant de débrancher l'appareil.**
- 12 Faire particulièrement attention lors du nettoyage des escaliers.**
- 13 Ne pas aspirer de liquides inflammables ou combustibles,** comme de l'essence, et ne pas faire fonctionner dans des endroits où peuvent se trouver de tels liquides.
- 14 Brancher uniquement dans une prise de courant avec mise à la terre.** Voir les instructions concernant la mise à la terre.
- 15 Ne pas aspirer de matières en combustion ou qui dégagent de la fumée telles que cigarettes, allumettes ou cendres chaudes.** Ne pas aspirer de liquide

inflammable ou explosif (p. ex. essence, diluant, etc.) – Il y aurait risque d'explosion !

- 16 Ne pas utiliser l'appareil si le sac à poussière ou le filtre n'est pas en place.**
- 17 Ne pas aspirer de matière sèche ou de liquide agressif** (acide, lessive, solvant, etc.).
- 18 Protéger le câble contre la chaleur, l'huile et les arêtes vives.**
- 19 Vérifier régulièrement l'état de la fiche et du cordon et demander à un spécialiste de les remplacer s'ils sont défectueux.**
- 20 Ne pas soulever et transporter l'appareil par la poignée à l'aide de crochets de grue ou de dispositif de levage.**
- 21 N'utiliser que des accessoires autorisés par Festool** (voir le catalogue Festool).

⚠AVERTISSEMENT

Certaines poussières créées par le ponçage mécanique, le sciage, le meulage, le perçage et autres activités reliées à la construction contiennent des substances chimiques connues (dans l'État de la Californie) comme pouvant causer le cancer, des anomalies congénitales ou représenter d'autres dangers pour la reproduction. Voici quelques exemples de telles substances :

- Plomb provenant de peintures à base de plomb,
- Silice cristallisée utilisée dans les briques, le ciment et autres matériaux de maçonnerie, et
- Arsenic et chrome du bois d'œuvre traité avec un produit chimique.

Le risque d'exposition à de tels produits varie selon la fréquence à laquelle vous faites ce genre de travail.

Pour réduire les risques d'exposition à ces substances chimiques : travaillez dans un endroit adéquatement ventilé et utilisez un équipement de sécurité approuvé, tel que masques antipoussières spécialement conçus pour filtrer les particules microscopiques.



INSTRUCTIONS CONCERNANT LA MISE À LA TERRE

Cet appareil doit être mis à la terre. En cas de défectuosité ou de panne, la mise à la terre fournit au courant un chemin de moindre résistance qui réduit le risque de choc électrique. Cet appareil est pourvu d'un cordon muni d'un conducteur de terre et d'une fiche avec broche de terre. La fiche doit être branchée dans une prise appropriée correctement installée et mise à la terre conformément aux règlements et ordonnances municipaux.

⚠ AVERTISSEMENT Un conducteur de terre mal raccordé peut entraîner un risque de choc électrique. Consulter un électricien ou un technicien d'entretien qualifié si vous n'êtes pas certain que la prise est correctement mise à la terre.

⚠ AVERTISSEMENT Ne pas modifier la fiche fournie avec l'appareil – si elle ne peut être insérée dans la prise, faire installer une prise adéquate par un électricien qualifié.

⚠ AVERTISSEMENT Cet appareil a une puissance nominale de plus de 15 A prévue pour

un circuit de 120 V. Il a été pourvu, en usine, d'un cordon et d'une fiche spécifiques permettant de le brancher à un circuit électrique adéquat. S'assurer que l'appareil est branché sur une prise de courant de même configuration que la fiche. Aucun adaptateur ne devrait être utilisé avec cet appareil. S'il est nécessaire de modifier les connexions de l'appareil pour l'adapter à une alimentation électrique d'un autre type, la modification doit être faite par un technicien qualifié.

CONSERVER CES INSTRUCTIONS

Caractéristiques techniques

Consommation de courant
Charge maximale connectée à la prise de l'appareil
Puissance connectée totale maximale (aspirateur et prise de l'appareil)
Débit d'air max., turbine
Contrainte max., turbine
Surface du filtre
Tuyau d'aspiration, diamètre x longueur
Capacité du réservoir
Dimensions P x L x A
Poids
Longueur du cordon
Type de protection

CT MINI

400 - 1,200 W
1,200 W
2,400 W
168 m³/h (6,04 cu.ft./h)
20,000 Pa
5,000 cm² (775 sq. in.)
22 mm (0.87 in. x 11.48 ft.)
10 l (2.6 gal.)
440 x 340 x 420 mm (17.3 x 13.4 x 16.5 in.)
9.5 kg (21 lbs)
7.5 m (24.6 ft.)
IP X4

Utilisation prévue

Les aspirateurs sont conçus pour aspirer des poussières, des impuretés, du sable, des copeaux, etc. qui ne sont pas nocifs pour la santé; ils peuvent aussi aspirer de l'eau.

Cet aspirateur a été conçu selon les normes IEC 60335-1 et IEC 60335-2-69, et il peut supporter de fortes sollicitations en utilisation industrielle.

⚠ AVERTISSEMENT L'utilisateur est seul responsable des dommages et accidents consécutifs à une utilisation de la machine non conforme à l'usage prévu.

Préparation et mise en service de l'appareil

Branchement électrique

La tension de service indiquée sur la plaque signalétique doit correspondre à la tension du réseau de distribution (prise murale).

⚠ AVERTISSEMENT Vérifier que l'aspirateur est éteint avant de brancher le cordon d'alimentation.

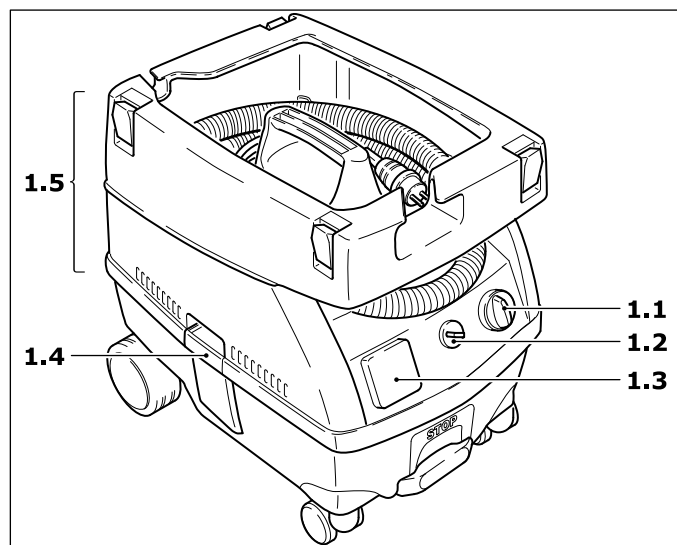
Interrupteur Arrêt/marche (1.1)

En position **O**, l'aspirateur est éteint et la prise de l'appareil (3) n'est pas sous tension.

Deux modes de fonctionnement sont possibles:

a) Commutateur sur position « MAN » :

La prise de l'appareil est sous tension.



⚠ AVERTISSEMENT Avant de mettre le commutateur à la position « MAN », veiller à ce que l'appareil branché soit éteint.

Le moteur d'aspiration démarrera immédiatement et restera en marche jusqu'à ce que vous l'éteigniez.

Vous pouvez utiliser ce mode de fonctionnement sans avoir d'outil connecté dans la prise de l'outil.

b) Commutateur sur position « Auto » :

La prise de l'appareil est sous tension.

⚠ AVERTISSEMENT Avant de mettre le commutateur à la position « Auto », veiller à ce que l'appareil branché soit éteint.

Le moteur d'aspiration démarrera dès que l'outil branché sera mis sous tension.

Réglage de la puissance d'aspiration (1.2)

Ce réglage permet de varier la puissance d'aspiration en fonction des différentes matières à aspirer.

Raccordement d'un outil électrique

Respecter la valeur de raccordement maximale indiquée sur la prise de courant (voir « Données techniques »).

Raccorder l'outil électrique à la prise de courant intégrée (1.3).

⚠AVERTISSEMENT Veiller à ce que l'outil soit éteint lors du branchement et du débranchement.

Utilisation

⚠AVERTISSEMENT Lors des travaux suivants, éviter de soulever inutilement des tourbillons de poussières.

Changement du sac filtre

- Ouvrir les brides de fermeture (1.4) et retirer (1.5) la partie supérieure.
- Changer le sac filtre (2.1) : lire les instructions sur le sac.
- Remettre en place la partie supérieure et fermer à l'aide des brides de fermeture.

Remarque : Il est possible de stocker un sac filtre de réserve dans le compartiment de rangement (5.4).

Remplacement du filtre

⚠MISE EN GARDE Ne pas utiliser l'appareil sans le filtre ! Vous risqueriez d'endommager le moteur.

- Ouvrir les brides de fermeture (1.4) et retirer (1.5) la partie supérieure.
- Basculer le levier (3.1) et retirer la ferrure (3.2).
- Retirer le filtre (3.3) et le remplacer par un neuf.
- Remettre en place la ferrure et pousser le levier jusqu'à enclenchement.
- Poser la partie supérieure, puis fermer à l'aide des brides de fermeture.

Vidage de la cuve de collecte

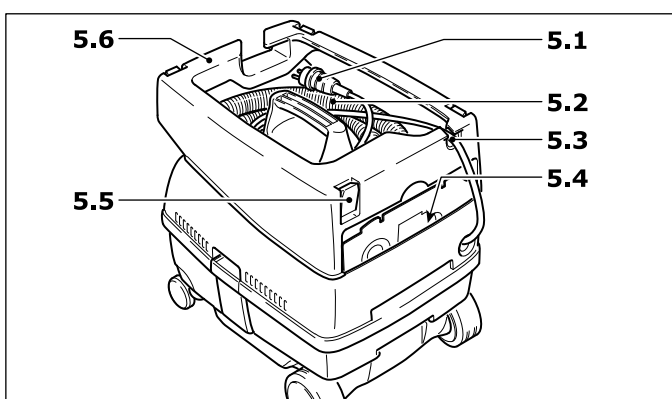
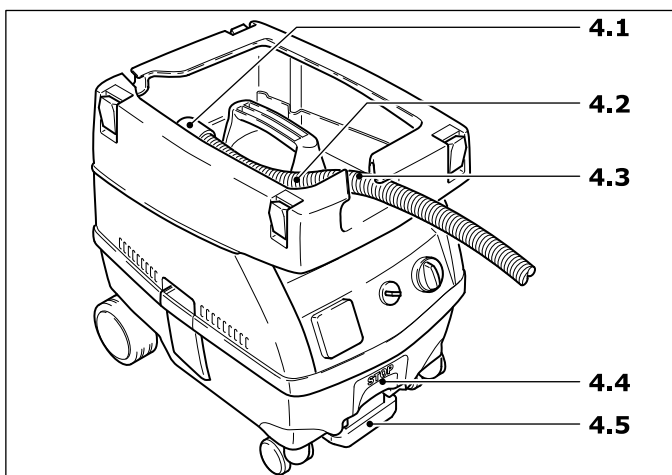
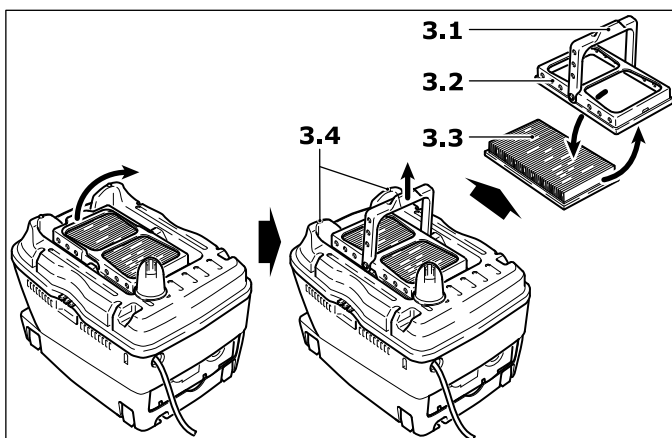
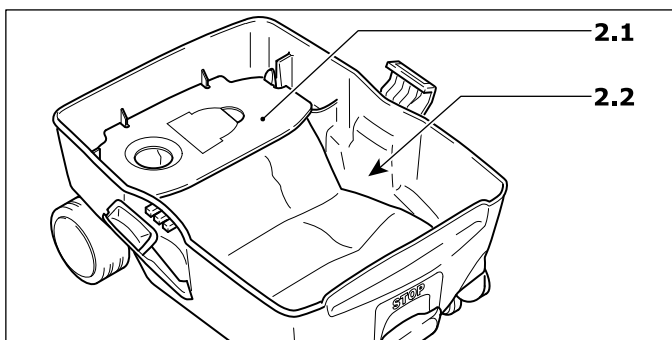
La cuve de collecte (2.2) peut être vidée en retirant la partie supérieure.

Béquille / Frein

En basculant la béquille (4.5), on peut bloquer une roue de l'aspirateur mobile.

Pour cela, soulever légèrement l'aspirateur mobile à l'avant et presser la béquille vers le bas jusqu'à ce qu'elle s'encliquette.

Pour libérer la béquille, presser la touche (4.4).



Utilisation

Le tuyau d'aspiration (4.2) est raccordé à l'orifice d'aspiration à l'aide de la pièce coudée (4.1). Pendant le fonctionnement, le tuyau d'aspiration est guidé par l'ouverture (4.3).

Sur la surface de desserte (5.6), on peut fixer un Systainer à l'aide des quatre fermoirs (5.5).

Remarque : Dans ce cas, le cordon d'alimentation doit être guidé par ouverture (5.3).

Aspiration de matières sèches

Insérer toujours un sac filtre dans la cuve avant d'aspirer des matières sèches. Les matières aspirées seront alors faciles à éliminer.

Après l'aspiration de liquides, le filtre reste humide. Un filtre humide s'encrasse plus rapidement lorsqu'on aspire des matières sèches. Pour cette raison, il faut sécher le filtre ou le remplacer par un filtre sec avant d'aspirer des matières sèches.

Aspirations de liquides

⚠AVERTISSEMENT En cas de fuite de mousse ou de liquide, interrompre immédiatement le travail et vider la cuve.

Retirer le sac filtre avant d'aspirer des liquides. Nous recommandons l'utilisation d'un filtre spécial pour liquides.

Lorsque le niveau de remplissage maximum est atteint, les indicateurs de niveau (3.4) interrompent automatiquement l'aspiration.

Le système Antistatic (AS)

L'aspiration provoque des charges statiques par frottement dans le tuyau d'aspiration. L'utilisateur peut les ressentir par des chocs électriques désagréables.

Pour décharger ces charges électrostatiques, l'aspirateur est doté d'un système antistatique. Il est cependant nécessaire d'utiliser un tuyau et des accessoires antistatiques.

Protection thermique

Un commutateur sensible à la chaleur met l'aspirateur hors tension dès qu'il atteint une température critique. Si cela se produit, éteindre l'aspirateur et le laisser se refroidir pendant 5 minutes environ. Si, à la suite de cette phase de refroidissement, il n'est pas possible de remettre l'aspirateur en marche, contacter un centre de service Festool.

Après le travail

- Éteindre l'aspirateur et débrancher le cordon d'alimentation.
- Vider le sac filtre et le réservoir.
- Ranger le tuyau d'aspiration (5.1) et le conduit de raccordement (5.2) dans la partie supérieure.
- Nettoyer l'intérieur et l'extérieur de l'aspirateur.
- Entreposer l'appareil dans un endroit sec, hors de portée de toute personne non autorisée.

Accessoires et filtre

On trouvera les numéros de commande des accessoires et du filtre dans le catalogue Festool,

ou sur le site Internet de la compagnie à l'adresse « www.festool.com ».

Entretien

⚠AVERTISSEMENT Il faut toujours débrancher l'appareil avant d'effectuer tout entretien !

⚠AVERTISSEMENT Tout entretien ou réparation nécessitant l'ouverture du moteur doit être fait par un centre de service autorisé.

⚠AVERTISSEMENT Un contrôle technique de sécurité doit être effectué au moins une fois par an par le fabricant ou une personne qualifiée, qui vérifiera par exemple une éventuelle détérioration du filtre, l'étanchéité de l'appareil et le bon fonctionnement des dispositifs de contrôle.

Garantie

Conditions de la garantie (1+2 ans)

Vous avez droit à une prolongation de garantie gratuite (1 an + 2 ans = 3 ans) sur votre outil électrique Festool. Festool assumera tous les coûts d'expédition pendant la première année de la garantie alors que les deuxième et troisième années, les coûts devront être assumés par le client. Festool paiera les frais de retour de l'outil au client par service de livraison terrestre UPS. La garantie est valable pour une période de 3 ans à compter de la date d'achat indiquée sur votre reçu ou votre facture.

Garantie limitée de Festool

Cette garantie est valable à condition que l'outil soit utilisé conformément aux instructions de Festool. Festool garantit, à l'acheteur initial seulement, que l'outil indiqué sera exempt de tout défaut de matériau et de fabrication pendant un an à compter de la date d'achat. Festool ne donne aucune garantie supplémentaire, implicite ou explicite, sur les instruments portables électriques Festool. Aucun agent, représentant commercial, distributeur, vendeur ou employé de Festool n'est autorisé à prolonger ou à modifier les obligations ou restrictions de la présente garantie. Les obligations de Festool sont, à son entière discrétion, limitées à la réparation ou à l'échange des outils portables électriques Festool trouvés défectueux dans le présent emballage, tels que fournis avec le présent Guide d'utilisation.

Cette garantie exclut l'usure normale, les dommages causés par un usage impropre, les abus ou la négligence, ou tout dommage autre que ceux attribuables à des défauts de matériau et de fabrication. Cette garantie ne s'applique pas aux accessoires tels que lames de scie circulaire, mèches de perceuse et vilebrequin,

lames de scie sauteuse, bandes abrasives et meules. Sont également exclues les pièces d'usure, telles que balais de charbon, lamelles pour outils à air comprimé, joints et manchons de caoutchouc, disques et patins ponceurs, ainsi que les piles.

Les outils électriques portables Festool à remplacer ou à réparer doivent être retournés avec le reçu d'achat à Festool (appelez au 800-554-8741 pour connaître l'adresse d'expédition).

FESTOOL N'EST EN AUCUN CAS RESPONSABLE DES DOMMAGES DIRECTS OU INDIRECTS, IMPLICITES OU EXPLICITES, DÉCOULANT DE LA RUPTURE DE CETTE GARANTIE OU DE TOUTE AUTRE GARANTIE. TOUTES LES GARANTIES IMPLICITES, Y

COMPRIS LES GARANTIES IMPLICITES DE QUALITÉ MARCHANDE ET D'ADÉQUATION À UN USAGE PARTICULIER, SONT LIMITÉES À UNE PÉRIODE DE TROIS ANS.

Certains états américains et certaines provinces canadiennes ne permettent pas la limitation des garanties implicites; il se pourrait donc que les limites indiquées ci-dessus ne s'appliquent pas dans votre cas. À l'exception de certaines garanties implicites des provinces ou des états indiquées ici, la présente garantie est exclusive et remplace toute autre garantie, convention et obligation similaire de Festool.

Cette garantie vous confère des droits légaux spécifiques, et vous pouvez aussi avoir d'autres droits pouvant varier d'un état à l'autre, ou d'une province à l'autre au Canada.

INSTRUCCIONES IMPORTANTES DE SEGURIDAD

LEA TODAS LAS INSTRUCCIONES ANTES DE USAR ESTE APARATO.

⚠ADVERTENCIA Para reducir el riesgo de fuego, descarga eléctrica, o lesión:

- 1 No deje el aparato enchufado.** Desenchufe de la toma de corriente cuando no esté en uso y antes de darle servicio.
- 2 No lo exponga a la lluvia para reducir el riesgo de una descarga eléctrica.** Conserve en el interior.
- 3 No permita que se use como juguete.** Se requiere de mucho cuidado y atención cuando se usa por o cerca de niños o animales.
- 4 Use sólo de acuerdo con las instrucciones en este manual.** Use sólo accesorios recomendados por el fabricante.
- 5 No usar con el cable o el enchufe dañado.** Si el aparato no funciona como debería, si se ha caído, dañado, dejado afuera o caído al agua, devuélvalo a uno de los centros de servicio.
- 6 No lo transporte o tire por del cable, no use el cable como mango, no cierre una puerta sobre el cable ni pase el cable por esquinas o filos agudos.** No pase el aparato por encima del cable. Mantenga el cable alejado de superficies calientes.
- 7 No desenchufe tirando del cable.** Para desenchufar, sujete el enchufe, no el cable.
- 8 No maneje el enchufe o el aparato con las manos húmedas.**
- 9 No coloque ningún objeto en las aperturas.** No lo use con alguna apertura bloqueada; manténgalo limpio de polvo, hilachos, pelos y cualquier cosa que pudiera reducir el paso del aire.
- 10 Mantenga el pelo, ropa suelta, los dedos y todas las partes del cuerpo alejados de las aperturas y del alcance de las partes móviles.**
- 11 Apague todos los controles antes de desenchufar.**
- 12 Preste especial atención cuando esté limpiando escaleras.**
- 13 No lo utilice para recoger líquidos inflamables o combustibles** como gasolina ni lo use en áreas donde puedan estar presentes.
- 14 Solo conéctelo a un toma corrientes correctamente conectado a tierra.** Véanse las instrucciones de conexión a tierra.
- 15 No recoja nada que se esté quemando o esté echando humo como cigarrillos, cerillas, o ceniza caliente.** No aspire polvos inflamables o explosivos (como magnesio, aluminio, etc.) ¡Peligro de explosión!

- 16 No usar sin la bolsa y/o filtro de polvo en su lugar.**
- 17 No succione / aspire líquidos agresivos** (como ácidos, líquidos alcalinos, solventes, etc.).
- 18 Proteja al cable contra el calor, aceite y cantos agudos.**
- 19 Cheque regularmente el enchufe y el cable, y, en el caso de que se detecte algún daño, que un experto lo reemplace si está dañado.**
- 20 No levante ni transporte el aparato por los mangos usando una grúa o de un aparato elevador.**
- 21 Sólo use los accesorios autorizados por Festool** (ver el catálogo Festool).

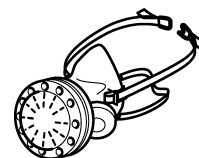
⚠ADVERTENCIA

Algunos polvos creados por lijadoras mecánicas, aserraderos, trituradores, perforadoras y otras actividades de construcción contienen sustancias químicas que se sabe (en el Estado de California) causan cáncer, defectos de nacimiento u otros daños al sistema reproductivo. Algunos ejemplos de estas sustancias químicas son:

- Plomo de las pinturas con base de plomo
- Sílice cristalino de los ladrillos y cemento y otros productos de mampostería, y
- Arsénico y cromo de madera tratada con sustancias químicas

El riesgo de exposición a estas sustancias varía, dependiendo de cuantas veces se hace este tipo de trabajo.

Para reducir el contacto con estas sustancias químicas: trabaje en un área con buena ventilación y trabaje con equipo de seguridad aprobado, como mascarillas para el polvo diseñadas específicamente para filtrar partículas microscópicas.



INSTRUCCIONES DE CONEXIÓN A TIERRA

Este aparato debe estar conectado a tierra. En caso de un funcionamiento incorrecto o avería, la conexión a tierra ofrece una vía de mínima resistencia para la corriente eléctrica que reduce el riesgo de una descarga eléctrica. Este aparato está equipado con un cable que cuenta con un conductor y un enchufe de conexión a tierra para el equipo. El enchufe debe ser introducido en un tomacorriente que esté correctamente instalado y conectado a tierra, de acuerdo con la normativa vigente.

⚠ADVERTENCIA La conexión incorrecta del conductor para conexión a tierra del equipo puede resultar en el riesgo de una descarga eléctrica.

Verifíquelo con un electricista calificado o una persona de servicio si tiene dudas acerca de la conexión a tierra correcta del tomacorriente.

⚠ADVERTENCIA No modifique el enchufe suministrado con el aparato – en caso de no encajar en el tomacorriente, haga que un electricista calificado instale una toma de corriente apropiada.

⚠ADVERTENCIA Este aparato está clasificado para más de 15 amperios, está previsto para usarse con circuito con valor nominal de 120

voltios y viene provisto de fábrica con un cable y un enchufe específicos para permitir la conexión a un circuito eléctrico apropiado. Asegúrese de que el aparato esté conectado a un tomacorriente que cuente con la misma configuración que el enchufe. No debe utilizar ningún adaptador con este aparato. Si el aparato se tiene que conectar a un tipo de circuito eléctrico distinto, la conexión la deberá realizar una persona de servicio calificada.

CONSERVE ESTAS INSTRUCCIONES

Datos técnicos

Consumo de energía
Carga conectada al enchufe del aparato max.
Potencia total conectada, máx.
(aspirador y enchufe del aparato)
Max. caudal volumétrico (aire), turbina
Aspiración max., turbina
Superficie del filtro
Tubo flexible de aspiración, diametro x longitud
Capacidad del depósito
Dimensiones P x An x Al
Peso
Longitud del cable eléctrico
Clase de protección

CT MINI

400 - 1,200 W
1,200 W
2,400 W
168 m³/h (6,04 cu.ft./h)
20,000 Pa
5,000 cm² (775 sq. in.)
22 mm x 3.5 m (0.87 in. x 11.48 ft.)
10 l (2.6 gal.)
440 x 340 x 420 mm (17.3 x 13.4 x 16.5 in.)
9.5 kg (21 lbs)
7.5 m (24.6 ft.)
IP X4

Uso especificado

Las aspiradoras están diseñadas para aspirar de polvos no perjudiciales a la salud, suciedad, arena, virutas, etc.. Además, las aspiradoras están diseñadas de conformidad con lo especificado para la succión de agua.

Las aspiradoras están diseñadas de conformidad con las normas IEC 60335-1 y IEC 60335- 2-69 para una carga mayor en usos industriales.

⚠ADVERTENCIA El usuario es el único responsable por cualquier daño u accidente en caso de que el aparato se use de manera distinta a lo especificado.

Preparación y puesta en servicio de la aspiradora

Conexión eléctrica

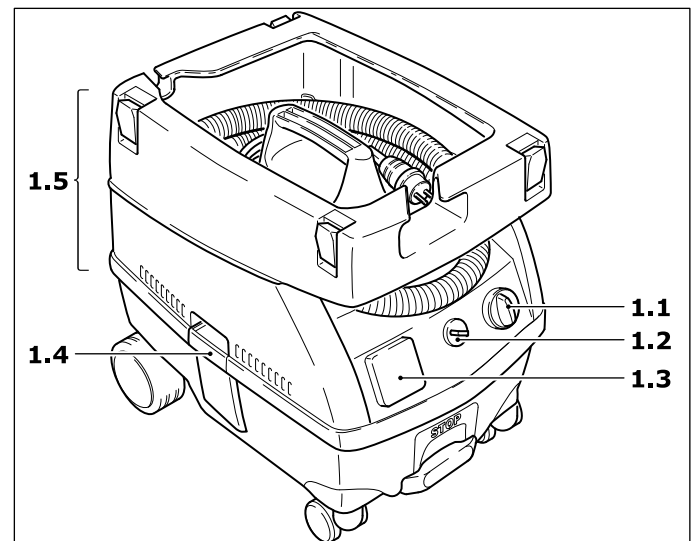
El voltaje de operación que debe corresponder con el voltaje la alimentación de corriente se muestra en la placa de clasificación!

⚠ADVERTENCIA Asegúrese que la aspiradora esté apagada cuando se enchufe el cable.

Interruptor de encendido/apagado (1.1)

En la posición **O** la aspiradora se encuentra apagada y el enchufe de la máquina (1.3) está sin corriente.

Hay dos modos de operación posibles:



a) Posición del conmutador en "MAN":

El enchufe de la máquina tiene corriente.

⚠ADVERTENCIA Antes de girar el interruptor a la posición "MAN" asegúrese que la herramienta conectada al enchufe del aparato esté apagada. El motor de aspiración se pone en marcha inmediatamente y se quedará encendido siempre y cuando el interruptor esté en esta posición. También puede usar esta modalidad de operación sin una herramienta conectadas al enchufe de herramienta.

b) Posición del interruptor en "Auto":

La caja de enchufe de la máquina conduce corriente.

⚠ADVERTENCIA Antes de girar el interruptor a la posición "Auto", asegúrese que la herramienta conectada al enchufe del aparato esté apagada.

El motor de aspiración se arranca sólo cuando está encendida la herramienta conectada al enchufe del aparato.

Regulador de fuerza de aspiración (1.2)

El regulador de la fuerza de aspiración se puede usar para variar la potencia de aspiración. Esto permite una adaptación precisa para las distintas sustancias que se van a recoger.

Conexión de la herramienta eléctrica

¡Observe la potencia conectada máxima en el enchufe de la máquina (véase "Datos técnicos")!
¡El consumo de potencia clasificada no debe exceder de esto!

Conecte la herramienta eléctrica al enchufe de la máquina (1.3).

⚠ADVERTENCIA Asegúrese que la herramienta eléctrica ésta esté desconectada cuando la esté enchufando y desenchufando.

Operación

⚠ADVERTENCIA Durante el siguiente procedimiento, deberá observar que no se levante más polvo del que es necesario.

Sustitución de la bolsa filtrante

- Abra los sujetadores de cierre (1.4) y retire la parte superior (1.5).
- Sustituya la bolsa filtrante (2.1) – véase la inscripción que hay en la misma.
- Reemplace la parte superior y cierre los sujetadores de cierre.

Nota: Se puede guardar una bolsa filtrante de repuesto en el compartimiento de almacenamiento (5.4).

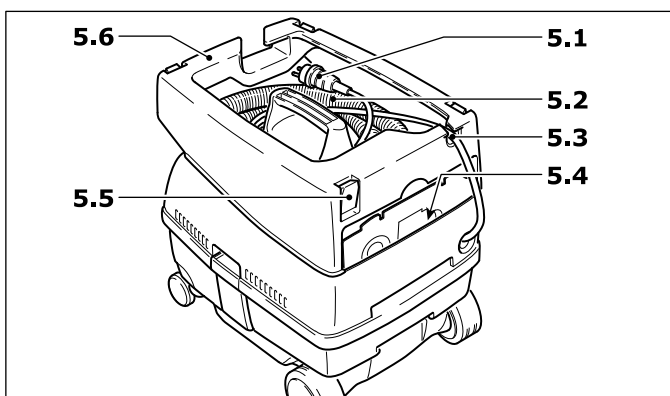
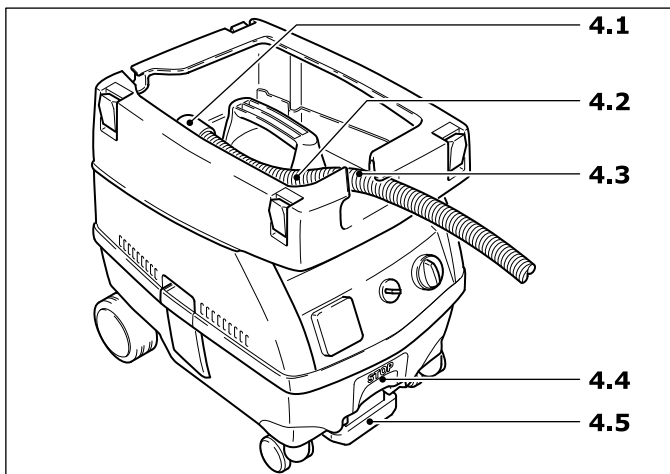
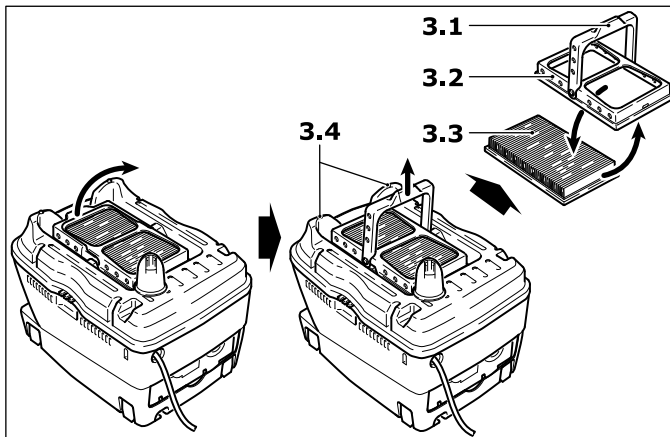
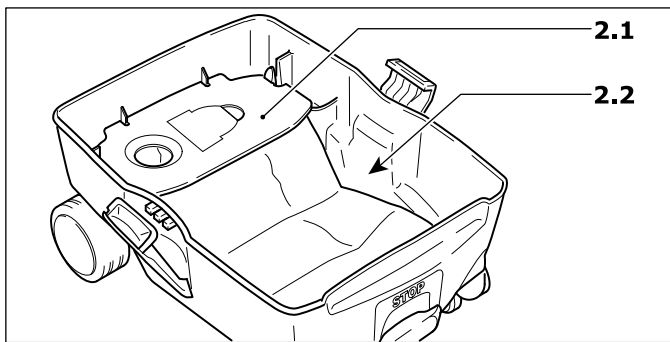
Cambio del filtro

⚠PRECAUCION No opere la máquina sin el elemento del filtro. Podría dañar el motor.

- Abra los sujetadores de cierre (1.4) y retire la parte superior (1.5).
- Abate la palanca (3.1) y retire el soporte (3.2).
- Extraiga el elemento de filtro usado (3.3) y sustitúyalo por uno nuevo.
- Vuelva a colocar el soporte y mueva la palanca hasta que encaje.
- Coloque la parte superior y cierre los sujetadores de cierre.

Vaciado del depósito para suciedad

Una vez retirada la parte superior, se puede vaciar el depósito de suciedad (2.2).



Soporte / freno

Al sacar el soporte (4.5) se evita que el sistema móvil de aspiración se aleje rodando.

Para lograr esto, eleve ligeramente el sistema móvil de aspiración en la parte delantera y ejerza presión hacia abajo en el soporte hasta que encaje.

Para soltar el soporte, oprima del botón (4.4).

Aplicación

El tubo flexible de aspiración (4.2) se conecta mediante la pieza angular (4.1) al orificio de aspiración. Durante la operación, el tubo flexible de aspiración es insertado en el hueco (4.3).

Es posible fijar un Systainer al área de almacenamiento (5.6) por medio de los cuatro sujetadores de cierre (5.5).

Nota: Para ello, el cable de red debe hacerse pasar por el hueco (5.3).

Aspiración de materiales secos

Antes de proceder a la aspiración de materiales secos siempre debería haber una bolsa de filtro adentro del depósito. Así es más fácil desechar el material aspirado.

El elemento filtrante se humedece después de haber succionado líquidos. El elemento filtrante húmedo se desgasta con mayor rapidez cuando se aspiran materiales secos. Por este motivo, el elemento filtrante deberá secarse antes de realizar una aspiración de materiales secos o deberá cambiarse por uno seco.

Succión de líquidos

⚠ ADVERTENCIA Cuando se note que sale espuma o líquido, se debe terminar inmediatamente el trabajo y vaciar el depósito para recoger la suciedad.

Antes de proceder a la succión de líquidos siempre se tiene que retirar la bolsa filtrante. Se recomienda el empleo de un filtro húmedo especial.

Al alcanzar el nivel máximo de llenado la aspiración es interrumpida automáticamente por los indicadores del nivel de llenado (3.4).

El sistema antiestático (AS)

Durante la aspiración se producen cargas estáticas en el tubo flexible de aspiración a causa de la fricción. Estas cargas estáticas pueden ser desagradables como descargas eléctricas para el operador de la máquina.

Para facilitar la descarga de estas cargas estáticas, la aspiradora está equipada un sistema antiestático. Sin embargo, para ello resulta necesario emplear un tubo flexible y accesorios antiestáticos.

Control de temperatura

Para proteger contra el sobrecalentamiento se cuenta con un fusible térmico que desconecta la aspiradora antes de que llegue a una temperatura crítica. Apague la aspiradora y déjela que se enfríe durante aproximadamente 5 minutos. En caso de que después del proceso descrito no se vuelva a encender la aspiradora, póngase en contacto con un centro de servicio de Festool.

Una vez terminado el trabajo

- Desconecte la aspiradora y desenchufe el cable de alimentación de corriente.
- Vacíe el depósito para recoger la suciedad.
- Coloque el tubo flexible de aspiración (5.1) y el cable de conexión (5.2) en la parte superior.
- Limpie el interior y el exterior de la aspiradora mediante succión y frotación.
- Coloque la aspiradora en una habitación seca, protegida contra el uso no autorizado.

Accesorios, filtros

Los números de pedido para los respectivos accesorios y filtros se encuentran en su catálogo Festool o en la dirección de la Internet «www.festool.com».

Mantenimiento y conservación

⚠ ADVERTENCIA ¡Siempre desconecte la alimentación de corriente del enchufe antes de hacer cualquier trabajo de mantenimiento!

⚠ ADVERTENCIA Todos los trabajos de mantenimiento y de reparación que requieren que se abra la caja del motor, sólo deben llevarse a cabo por un taller autorizado de servicio.

⚠ ADVERTENCIA Como mínimo una vez al año tiene se debe realizar una prueba de seguridad por la casa productora o por una persona correspondientemente instruida, por ejemplo, en cuanto a daños al filtro, hermeticidad del aparato y funcionamiento de los aparatos de control.

Garantía

Condiciones de la Garantía 1 + 2

Usted tiene derecho a una garantía extendida gratuita (1 año + 2 años = 3 años) para su herramienta mecánica Festool. Festool se hará responsable por los gastos de envío durante el primer año de garantía. Durante el segundo y tercer año de garantía el cliente es responsable por el costo del envío de la herramienta a Festool. Festool pagará el embarque de regreso al cliente usando UPS Ground Service. Todo el servicio de garantía es válido por 3 años desde la fecha de la compra de acuerdo a la fecha de su recibo o factura de compra.

Garantía limitada de Festool

Esta garantía es válida con la condición previa de que la herramienta se usa y opera de conformidad con las instrucciones de operación de Festool. Festool garantiza, sólo al comprador original, que la herramienta especificada estará libre de defectos de fabricación y materiales durante un periodo de un año a partir de la fecha de compra. Festool no otorga otras garantías, ni explícitas ni implícitas para ninguna de las herramientas mecánicas

portátiles Festool. Ningún agente, representante, distribuidor, comerciante o empleado de Festool está autorizado para extender o modificar de cualquier manera las obligaciones o limitaciones de esta garantía. Las obligaciones de Festool, a su propia entera discreción, están limitadas a la reparación o sustitución de cualquier herramienta portátil Festool que se encuentre estar defectuosa en el momento de ser embalada junto con el manual de usuario.

Quedan excluidos de la cobertura en esta garantía: el desgaste normal; los daños causados por uso indebido, el abuso o negligencia; los daños causados por cualquier otra causa que no sean defectos del material o de la fabricación. Esta garantía no aplica a accesorios como cuchillas de sierras circulares, brocas de taladro, barrenas de buriladora, cuchillas de sierra, cuchillas para sierras de calado, correas de lijadoras y ruedas de esmeril. También se excluyen las "partes que se desgastan" como cepillos de carbón, laminillas de herramientas de aire, collarines de hule y sellos, discos y cojines de lijado, y baterías.

Las herramientas mecánicas portátiles Festool que requieran de reemplazo o reparación deben devolverse con el recibo de compra a Festool (llame al 800-554-8741 para los detalles de la dirección).

EN NINGÚN CASO FESTOOL SE HARÁ RESPONSABLE POR LOS DAÑOS SECUNDARIOS O CONSECUENTES OCASIONADOS POR LA VIOLACIÓN DE ESTA O CUALQUIER OTRA GARANTÍA, SEA EXPLÍCITA O IMPLÍCITA. TODAS LAS GARANTÍAS IMPLICADAS POR LEYES ESTATALES, INCLUYENDO LAS GARANTÍAS IMPLICADAS DE COMERCIALIZACIÓN Y ADECUACIÓN A UN PROPÓSITO PARTICULAR, QUEDAN LIMITADAS A TRES AÑOS DE DURACIÓN.

Algunos estados de EE.UU. y algunas provincias de Canadá no permiten las limitaciones en cuanto a la duración de las garantías implícitas, de modo que la limitación arriba indicada puede que no le afecte. A excepción de algunas garantías implicadas por leyes estatales o provinciales, limitadas por la presente, la anteriormente citada garantía, expresamente limitada, es exclusiva y sustituye a cualquier otra garantía, acuerdo u obligación similar de Festool.

Esta garantía le concede derechos legales específicos y usted podría tener otros derechos legales que varían de estado a estado en EE.UU. y de provincia a provincia en Canadá.

Free Manuals Download Website

<http://myh66.com>

<http://usermanuals.us>

<http://www.somanuals.com>

<http://www.4manuals.cc>

<http://www.manual-lib.com>

<http://www.404manual.com>

<http://www.luxmanual.com>

<http://aubethermostatmanual.com>

Golf course search by state

<http://golfingnear.com>

Email search by domain

<http://emailbydomain.com>

Auto manuals search

<http://auto.somanuals.com>

TV manuals search

<http://tv.somanuals.com>