



---

A Sierra Monitor Company

**Driver Manual**  
(Supplement to the FieldServer Instruction Manual)

**FS-8700-113 Profibus X30 DP Slave  
Driver**

**APPLICABILITY & EFFECTIVITY**

**Effective for all systems manufactured after May 1, 2001**

<b>Driver Version:</b>	<b>1.00</b>
<b>Document Revision:</b>	<b>11</b>

## TABLE OF CONTENTS

<b>1. PROFIBUS X30 DP SLAVE DESCRIPTION .....</b>	<b>3</b>
<b>2. DRIVER SCOPE OF SUPPLY.....</b>	<b>4</b>
2.1. Supplied by FieldServer Technologies for this driver .....	4
2.2. Provided by the Supplier of 3 <sup>rd</sup> Party Equipment .....	4
2.2.1. <i>Required 3<sup>rd</sup> Party Software</i> .....	4
2.2.2. <i>Required 3<sup>rd</sup> Party Configuration</i> .....	4
2.3. Additional files Required for the Driver .....	4
<b>3. HARDWARE CONNECTIONS .....</b>	<b>5</b>
3.1. Hardware Connection Tips / Hints .....	5
<b>4. CONFIGURING THE FIELDSEVER AS A PROFIBUS DP SERVER .....</b>	<b>6</b>
4.1. Profibus Settings .....	6
4.2. Server Side Connection Descriptors.....	7
4.3. Server Side Node Descriptors .....	7
4.4. Server Side Map Descriptors.....	8
4.4.1. <i>FieldServer Specific Map Descriptor Parameters</i> .....	8
4.4.2. <i>Driver Specific Map Descriptor Parameters</i> .....	8
4.4.3. <i>Map Descriptor Example</i> .....	9
<b>APPENDIX A. ADVANCED TOPICS .....</b>	<b>10</b>
Appendix A.1. X30 Profibus LED indicators.....	10
Appendix A.2. Setting the FieldServer's Profibus Station Address .....	11
Appendix A.3. Understanding Driver Communication Statistics.....	11
<b>APPENDIX B. TROUBLESHOOTING.....</b>	<b>12</b>
Appendix B.1. FieldServer as a Profibus Slave .....	12

## 1. Profibus X30 DP Slave Description

The FieldServer Profibus DP Slave driver can be used to emulate a single Slave station on a Profibus network. DP Masters can open a connection of up to 244 Bytes of Input and 244 Bytes of Output data, but not exceeding a combined total of 416 Bytes to the FieldServer. The FieldServer can be added to the Profibus network with the use of the supplied GSD file for the ANYBUS™ card. Connection to the Profibus network is via a DB9 port on the ANYBUS™ card.

### Max Nodes Supported

FieldServer Mode	Nodes	Comments
Server	1	The FieldServer can only emulate one Profibus DP Slave station

**2. Driver Scope of Supply**

**2.1. Supplied by FieldServer Technologies for this driver**

FieldServer Technologies PART #	Description
FS-8700-113	Driver Manual.
X30-Profibus_DP_Slave	Profibus X30 DP Slave Card

**2.2. Provided by the Supplier of 3<sup>rd</sup> Party Equipment**

**2.2.1. Required 3<sup>rd</sup> Party Software**

Profibus Network Configuration Tool

**2.2.2. Required 3<sup>rd</sup> Party Configuration**

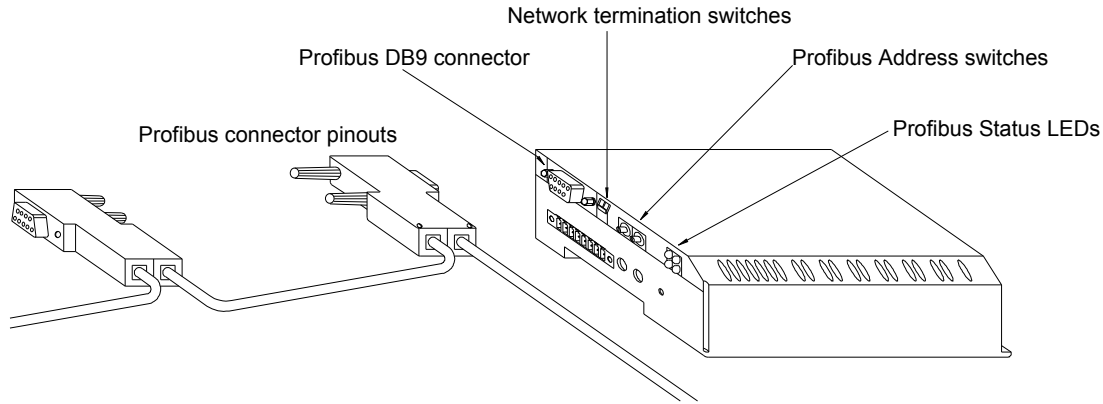
Connection to a properly terminated Profibus network.

**2.3. Additional files Required for the Driver**

Filename	"Always Loaded By FieldServer Technologies"	External Application	Comments
Config.csv	<b>X</b>		Template loaded if no custom configuration ordered, otherwise Custom configuration loaded.
"Anybus gsd file"		<b>X</b>	The Anybus template gsd file is supplied with the FieldServer and needs to be built up for the particular application by the Master configuration software

### 3. Hardware Connections

The FieldServer is connected to the Profibus network as shown in the connection drawing below.



Pin	Name	Description
Housing	Shield	Connected to PE
1	Not connected	-
2	Not connected	-
3	B-Line	Positive RxD/TxD according to RS 485 specification
4	RTS	Request To Send*
5	GND BUS	Isolated GND from RS 485 side*
6	+5 V BUS	Isolated +5 V from RS 485 side*
7	Not connected	-
8	A-Line	Negative RxD/TxD according to RS 485 specification
9	Not connected	-

\* +5V BUS and GND BUS are used for bus termination. Some devices, like optical transceivers (RS485 to fibre optics) might require external power supply from these pins. RTS is used in some equipment to determine the direction of transmission. In normal applications only A-Line, B-Line and Shield are used.

#### 3.1. Hardware Connection Tips / Hints

Use the recommended network cable and terminators as specified by the Profibus network organization and/or the manufacturer of your network equipment.

#### 4. Configuring the FieldServer as a Profibus DP Server

For a detailed discussion on FieldServer configuration, please refer to the FieldServer Configuration Manual. The information that follows describes how to expand upon the factory defaults provided in the configuration files included with the FieldServer (See “.csv” files provided with the FieldServer).

This section documents and describes the parameters necessary for configuring the FieldServer to communicate with a Profibus DP Master.

The configuration file tells the FieldServer about its interfaces, and the routing of data required. In order to enable the FieldServer for Profibus communications, the driver independent FieldServer buffers need to be declared in the “Data Arrays” section, the FieldServer virtual Node(s) needs to be declared in the “Server Side Nodes” section, and the data to be provided to the Clients needs to be mapped in the “Server Side Map Descriptors” section. Details on how to do this can be found below.

Note that in the tables, \* indicates an optional parameter, with the bold legal value being the default.

##### 4.1. Profibus Settings

Section Title		
Bridge		
Column Title	Function	Legal Values
System_Station_Address*	Profibus Station Address of the FieldServer	1-125

**Note:**

The Profibus Station Address can also be set via the two rotary switches on the side of the FieldServer in which case the System\_Station\_Address setting must be omitted from the configuration file. The settings specified in the configuration file will override the settings on these switches.

**Example**

```
// Bridge

Bridge
Title,                System_Station_Address
Profibus DP,         5
```

**4.2. Server Side Connection Descriptors<sup>1</sup>**

Section Title		
Connections		
Column Title	Function	Legal Values
Adapter	Adapter Name	Prof_DP_MS

**Example**

```
// Server Side Connections

Connections
Adapter
Prof_DP_MS
```

**4.3. Server Side Node Descriptors**

Section Title		
Nodes		
Column Title	Function	Legal Values
Node_Name	Provide name for Node	Up to 32 alphanumeric characters
Protocol	Specify protocol used	Anybus_Prof_DP_S

**Example**

```
// Server Side Nodes

Nodes
Node_Name, Protocol
Prof_5, Anybus_Prof_DP_S
```

Only one Server Node may be defined for each connection.  
 If you are interested to know when support for multiple virtual Server Nodes on a single connection will be provided please contact the Sales Department."

<sup>1</sup> The X30 Profibus card auto-senses the Baud rate

## 4.4. Server Side Map Descriptors

### 4.4.1. FieldServer Specific Map Descriptor Parameters

Column Title	Function	Legal Values
Map_Descriptor_Name	Name of this Map Descriptor	Up to 32 alphanumeric characters
Data_Array_Name	Name of Data Array where data is to be stored in the FieldServer	One of the Data Array names from "Data Array" section above
Data_Array_Offset	Starting location in Data Array	0 to maximum specified in "Data Array" section above
Function	Function of Server Map Descriptor	RDBC -Reads data from the local input buffer WRBC -Writes data to the local output buffer

### 4.4.2. Driver Specific Map Descriptor Parameters

Column Title	Function	Legal Values
Node_Name	Name of Node	One of the Node names specified in "Server Node Descriptor" above
Profibus_Data_Type	Data Type of local buffer	BYTE, WORD, FLOAT, BOOL
Address	Byte offset into local buffer	RDBC: 0 – 243 WRBC: 0 – 243
Length	Number of Profibus_Data_Type items in local buffer	BYTE: 1 – 244 WORD: 1 – 122 FLOAT: 1 – 61 BOOL: 1 – 1952

#### **Important Note:**

The combined total length of all Map Descriptors may not exceed 416 bytes.



### 4.4.3. Map Descriptor Example.

```
// Server side Map Descriptor  
Map Descriptor  
Map_Descriptor_Name, Data_Array_Name, Data_Array_Offset, Function, Node_Name, Profibus_Data_Type, Address, Length, Scan_Interval  
Get_Data, Input_Data, 0, RDBC, Prof_5, WORD, 0, 100, 1s  
Put_Data, Output_Data, 0, WRBC, Prof_5, WORD, 0, 100, 1s
```

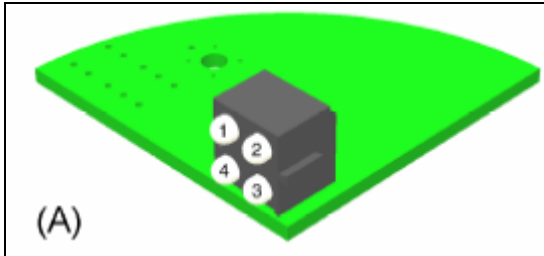
Read function Map Descriptor gets data from the Profibus network and stores it in the Input\_Data Data Array.

Write function Map Descriptor puts data from the Output\_Data Array onto the Profibus network.

Note that each address refers to an individual local input and output buffer. Each buffer can contain up to 244 bytes, although the combined total is limited to 416 bytes.

**Appendix A. Advanced Topics**

**Appendix A.1. X30 Profibus LED indicators**



**LED 1 – Not used**

**LED 2 – Slave Online Status**

Color	Frequency	Description
Green	-	Slave is online on the Profibus network
Off	-	Slave is not online on the Profibus network

**LED 3 – Slave Offline Status**

Color	Frequency	Description
Red	-	Slave is offline on the Profibus network
Off	-	Slave is not offline on the Profibus network

**LED 4 – Fieldbus Diagnostics**

Color	Frequency	Description
Red	1 Hz	Error in configuration: IN and/or OUT length set during initialization of the Slave is not equal to the length set during configuration of the network.
Red	2 Hz	Error in User Parameter data: The length/contents of the User Parameter data set during initialization of the Slave is not equal to the length/contents set during configuration of the network.
Red	4 Hz	Error in initialization of the Profibus communication ASIC.
Off	-	No diagnostics present.

## Appendix A.2. Setting the FieldServer's Profibus Station Address

The Station Address can be set in the FieldServer's CSV file using the `System_Station_Address`, (refer to Section 4.1), or it can be set with the two rotary switches as indicated on the connection diagram. The left switch selects the left decimal digit and the right switch the right decimal digit of the Station Address.

Note that the software setting with the `System_Station_Address` overrides the hardware setting with the rotary switches.

## Appendix A.3. Understanding Driver Communication Statistics

When connecting with Ruinet to the FieldServer, there are communication statistics displayed on the Connection, Node and Map descriptor screens for the Profibus DP driver.

The Transmit (Tx) message count indicates the number of times the driver wrote output data into the Profibus hardware card's output buffers for transmission on the Profibus network. It does not indicate the actual number of transmissions on the Profibus network.

The Receive (Rx) message count indicates the number of times the driver read input data from the Profibus hardware card's input buffers. It does not indicate the number of actual messages received on the Profibus network.

---

## Appendix B. Troubleshooting

---

### Appendix B.1. FieldServer as a Profibus Slave

If no communication is being experienced between a Profibus Master and a FieldServer Profibus Slave, check for the following most common issues:

- The Node\_ID must match the System\_Station\_Address in the configuration
  - Having these two parameters match in the configuration tells the FieldServer that the buffer referenced in the Node\_ID refers to the buffers in the Profibus card attached to the FieldServer.
- The gsd file must match the FieldServer hardware being used
  - FieldServer offers several hardware platforms that support Profibus. Each hardware platform requires its own gsd file. Ensure that the gsd file being used is the correct file for the hardware platform in use.
  - The gsd file can be opened with a text editor. The Vendor and model name can be checked in this file. For the FieldServer X30 Profibus Slave, the Vendor is “HMS Industrial Networks AB”, and the Model Name is “ANYBUS-S PDP”. The current revision is 1.5, which uses Hardware revision 1.6 and software release 1.2.
- The byte count for the gsd profile must match the byte count configured in the FieldServer
  - The gse being used is either going to allow the Client (via the network configuration tool) to select the bytes to be used, or the byte make-up will be fixed and specified in the gse. Either way, the largest byte offset used by the Client must match the largest byte offset configured in the FieldServer.
  - When selecting byte count with a network configuration tool, the total amount of bytes/words/bits setup per Input/Output buffer in the FieldServer configuration Map Descriptors must match those selected in the network configuration tool otherwise a connection length mismatch will occur and the connection will not be established. The FieldServer shows the connection size it expects on the F (driver message) screen in the RUI utility in order that this value may be checked against the network configuration tool.
- The direction of the communications (Input/Output Buffer) may be incorrectly configured.
  - Buffer names can be confusing, especially when looking at the Slave. The buffers are named according to their direction of communication in the Master. Hence, an Input buffer in the Slave will write data to the Master, and data will be received from the Master in the output buffer.
  - Remember that as a Slave, the FieldServer will have to write data into the input buffer (function=wrbc), and read data from the output buffer (function=rdbc).
- The Profibus card may be faulty.
  - If this is the case, then there will be an error message in the FieldServer RUI error screen indicating that the card could not be reached. Check for this message. If it is there, try opening up the FieldServer and re-seating the card. If this does not help, contact FieldServer Technical support for jumper settings on the card, and further possible troubleshooting or return authorization.

```

C:\WINDOWS\system32\cmd.exe - rn 20
System Errors
20 T05> File : config.csv, line 93
21 T05> Line : BYTE_IN_01 , DA_BI_01 , 0 , Passive_Client, PDP_01 , BYTE , Inpu
22 T05> ----- Configuration File Error -----
23 T05> Desc : Could not create map descriptor; Prof_DP adapter not initialized
24 T05> Error: 66
25 T05> File : config.csv, line 94
26 T05> Line : BIT_IN_01 , DA_DI_01 , 0 , Passive_Client, PDP_01 , BIT , Input
27 T05> ----- Configuration File Error -----
28 T05> Desc : Could not create map descriptor; Prof_DP adapter not initialized
29 T05> Error: 66
30 T05> File : config.csv, line 95
31 T05> Line : BYTE_IN_01 , DA_BI_01 , 20 , Passive_Client, PDP_01 , BYTE , Inp
32 T05> DRU-> PDP : Warning, FLOAT_OUT_01 writing to DP master's output buffer.
33 T05> DRU-> PDP : Be sure this is what you want to do.
34 T05> ----- Configuration File Error -----
35 T05> Desc : Could not create map descriptor; Prof_DP adapter not initialized
36 T05> Error: 66
37 T05>
38 T05>
39 T05>
Keys: <R>reset Display <U>ersion <ESC>
      <Page Down> Next Page <Page Up> Previous Page

```

- The Data Type/Offset/Length combination may be incorrectly set up
  - In the FieldServer configuration, the Offset Parameter refers to the buffer offset in bytes (starting at 0), regardless of data type.
  - The Length parameter always refers to length in items, which means Float data will be the number of float values, Word data will be the number of words, etc.

THIS PAGE INTENTIONALLY LEFT BLANK

## Free Manuals Download Website

<http://myh66.com>

<http://usermanuals.us>

<http://www.somanuals.com>

<http://www.4manuals.cc>

<http://www.manual-lib.com>

<http://www.404manual.com>

<http://www.luxmanual.com>

<http://aubethermostatmanual.com>

Golf course search by state

<http://golfingnear.com>

Email search by domain

<http://emailbydomain.com>

Auto manuals search

<http://auto.somanuals.com>

TV manuals search

<http://tv.somanuals.com>